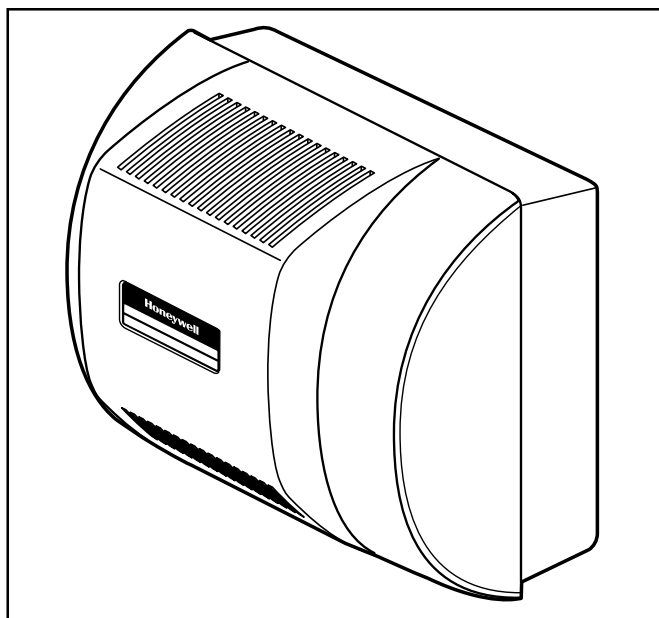


HE360A,B Powered Flow-Through Humidifier

SPECIFICATION DATA



FEATURES

- Capable of humidifying the largest area—up to 4200 sq ft (390 sq m)—of any Honeywell flow-through humidifier.
- Proven technology used for high performance humidification.
- Interior components designed for quick maintenance and service.
- HE360A Humidifier includes a convertible humidity control that mounts on the wall or duct for more flexibility.
- HE360B Humidifier includes the Automatic Humidity Control with Humidicalc+™ that automatically adjusts humidity level and eliminates moisture build-up.
- Perfect Climate Comfort Center™ control can be installed to replace both the thermostat and humidity control for improved aesthetics and convenience.
- Continuous flushing reduces maintenance frequency.

APPLICATION

The HE360A,B Powered Flow-Through Humidifier works with the warm air furnace blower to provide humidification for the whole house. The HE360A,B works with virtually any Honeywell humidity control, and can be integrated to the temperature control in the home, when controlled by the Honeywell Perfect Climate Comfort Center™ control.



SPECIFICATIONS

Capacity:

At 120°F (49°C) plenum temperature and 0.20 static pressure drop across supply and return:
18 gallons per day (gpd), 68 liters per day (lpd).

Humidified Area:

House Description	Air Changes Per Hour	Area (up to)	
		Sq ft	Sq m
Loose	Two	1,900	175
Average	One	2,700	248
Tight	One-half	4,200	386

Electrical Ratings:

120 Vac, 60 Hz, 0.7A.

Humidifier Pad Dimensions (height x width x depth):

13 in. x 10 in. x 1-1/2 in. (330 mm x 254 mm x 38 mm).

Plenum Opening Dimensions (height x width):

14-1/16 in. x 13-1/2 in. (357 mm x 343 mm).

Drain Connection:

1/2 in. (13 mm) I.D. plastic hose connected directly to drain fitting on unit.

Dimensions:

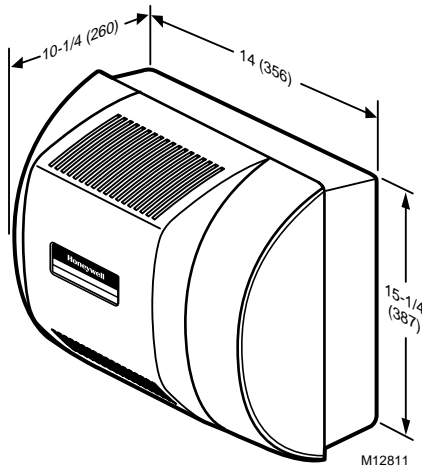


Fig. 1. Dimensions of HE360 in in. (mm).

Approvals:

Underwriters Laboratories Inc.: Listing Pending.
Canadian Underwriters Laboratories Inc.: Listing Pending.

Home and Building Control

Honeywell Inc.
Honeywell Plaza
P.O. Box 524
Minneapolis MN 55408-0524

Honeywell Latin American Region

480 Sawgrass Corporate Parkway
Suite 200
Sunrise FL 33325

Home and Building Control

Honeywell Limited-Honeywell Limitée
155 Gordon Baker Road
North York, Ontario
M2H 3N7

Honeywell Europe S.A.

3 Avenue du Bourget
1140 Brussels
Belgium

Honeywell Asia Pacific Inc.

Room 3213-3225
Sun Hung Kai Centre
No. 30 Harbour Road
Wanchai
Hong Kong

Standards:

Air Conditioning and Refrigeration Institute Tested:
Standard 610.

Models:

HE360A TRADELINE® Powered Flow-Through Humidifier package includes humidifier pad, mounting template, self-piercing saddle valve, H908 Convertible Humidity Control.
HE360B TRADELINE® Powered Flow-Through Humidifier package includes humidifier pad, mounting template, self-piercing saddle valve, H1008 Automatic Humidity Control.

Accessories:

C7089H Outdoor Temperature Sensor.
H908A Convertible Humidity Control.
H1008A Automatic Humidity Control.
HC26A Humidifier Pad.
PC8900 Perfect Climate Comfort Center™ control.
S688A Sail Switch.
Current Sensing Relay, part no. 32001754-001.

INSTALLATION

Refer to Fig. 2 for a typical installation.

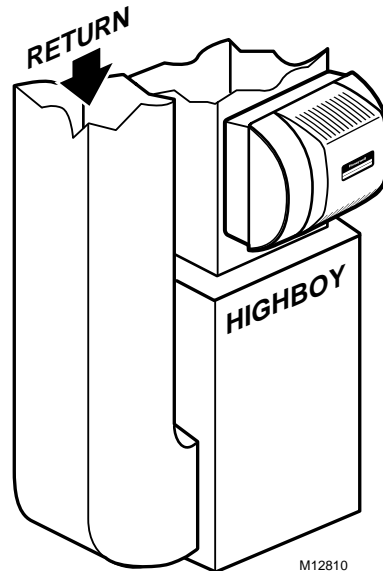


Fig. 2. Typical installation of HE360 humidifier.

