

LIMITED WARRANTY

SHOULD ACCESSORY PARTS BE NEEDED, CONTACT THE MANUFACTURER FOR IN-WARRANTY REPLACEMENT PARTS. A COPY OF PROOF-OF-PURCHASE MUST BE INCLUDED ALONG WITH THE TYPE AND STYLE, WHICH IS LOCATED ON THE BOTTOM OF YOUR APPLIANCE.

This product is warranted for one year from the date of original purchase against defects in workmanship and/or materials. At our option, parts that prove to be defective will either be repaired or replaced or the whole product will be replaced. Should electrical or mechanical repair become necessary during the warranty period, send your complete product, postage or freight prepaid to the nearest service center. Call the number below for the service station nearest you.

Should a part need replacement, you must give us the type and style of your appliance. You will find this at the bottom of the appliance. In either case, a copy of your proof of purchase is requested.

This warranty does not apply if the damage occurs because of accident, improper handling or operation, shipping damage, abuse, misuse, unauthorized repairs made or attempted, or the use of the product for commercial service.

ALL WARRANTIES, EXPRESSED OR IMPLIED, LAST FOR ONE YEAR FROM THE DATE OF ORIGINAL PURCHASE. THIS WARRANTY DOES NOT COVER LIABILITY FOR INCIDENTAL OR CONSEQUENTIAL DAMAGES FOR ANY CAUSE WHATSOEVER.

Some states do not allow limitations on how long any implied warranty lasts, or the exclusion or limitation of incidental or consequential damages, so that the above limitations and exclusions may not apply to you. This warranty gives you specific legal rights. You may also have other rights which vary from state to state.

FOR PARTS AND TO ORDER REPLACEMENT FILTERS:

For Replacement Parts or Filters please call: **1-800-966-2028. MONDAY THROUGH FRIDAY, BETWEEN THE HOURS OF 8 AM AND 4 PM EST. "PLEASE DO NOT RETURN PRODUCT TO PLACE OF PURCHASE."** Reference the type and style of product (located on the underside of the product) when you call.

FOR TECHNICAL ASSISTANCE and SERVICE CENTER LOCATIONS:

For any questions, comments or the location of your nearest service center, **PLEASE CALL OUR TOLL-FREE "HOTLINE" AT 1-800-233-0268. MONDAY THROUGH FRIDAY, BETWEEN THE HOURS OF 8 AM AND 5 PM EST.** Please reference product name and model no. when you call.

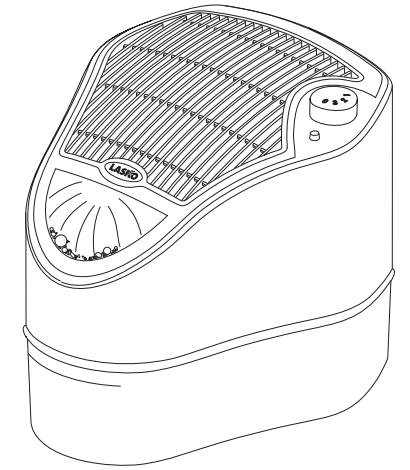
Appliance Service Dept. • 300 Confederate Drive Franklin, TN 37065-0569
PLEASE DO NOT SEND PRODUCT TO THIS LOCATION!

NOTES

LASKO
Innovators in Home Comfort

EVAPORATIVE HIGH PERFORMANCE RECIRCULATING HUMIDIFIER

Model 1115



IMPORTANT SAFETY INSTRUCTIONS READ AND SAVE THESE INSTRUCTIONS

Congratulations on your purchase of the Recirculating Evaporative Humidifier. Featuring the unique use of pump driven water circulation, this unit provides exclusive features that no other humidifiers offer.

IMPORTANT INFORMATION and FEATURES

Your Recirculating Humidifier is an **EVAPORATIVE TYPE HUMIDIFIER**. This means that the air being drawn through the moistened filter naturally evaporates the water and disperses **INVISIBLE MOISTURE** into the air. This type of humidifier **DOES NOT PRODUCE MIST, WATER DROPLETS, STEAM OR EXCESSIVE CONDENSATION** associated with other types of humidifiers.

EXCESSIVE HUMIDITY CAN OFTEN LEAD TO UNANTICIPATED PROBLEMS. Air containing water droplets or mist can create a good habitat for the growth of mold and mildew.

Misting units often oversaturate the air, while the Lasko Recirculating Evaporative Humidifier reaches a maximum humidity output level without oversaturating. With a properly operating Evaporative Humidifier, the evaporation rate increases naturally when the air is dry. When the humidity in your home is high, moisture output automatically decreases to help prevent damaging condensation.

The Watershow Viewing Window provides a visible way for you to know that your Humidifier is operating. As air passes through the filter, the humidity in the room will increase, and the water level in the Unit will begin to decrease.

Unlike misting humidifiers, the Evaporative Filter in your Recirculating Humidifier also traps unwanted minerals that reside in normal tap water. This filtering also assures there is **NO WHITE DUST** dispersed into the air.

NOTE: A few droplets of water may be present in your humidifier as a result of our quality testing prior to packaging and shipment.

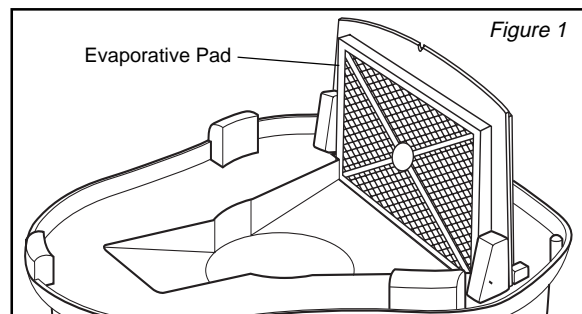
IMPORTANT SAFETY INSTRUCTIONS

When using electrical appliances, especially where children are present, basic precautions should always be followed in order to reduce the risk of fire, electric shock and injury to persons... Including the following:

1. To prevent possible electrical shock, always turn Humidifier off and unplug before filling, servicing or moving.
2. Always place Humidifier on a stable, flat, level surface. Locate Power Cord so the Humidifier or other objects are not resting on it. Keep the Cord away from room traffic.
3. Do not place Humidifier near a heat source such as stoves, radiators or heaters.
4. This appliance is equipped with a polarized plug (one prong is wider than the other). To reduce the risk of electrical shock, this plug is designed to fit in a polarized outlet only one way. If plug does not fit, contact a qualified electrician. Do not attempt to defeat this safety feature.
5. Never tilt or attempt to move the Humidifier while it is operating.
6. Always direct air flow away from walls or furniture as excessive moisture may cause damage.
7. Humidifiers require regular cleaning to maintain proper operating conditions. Refer to **CLEANING and FILTER CARE** for proper cleaning procedures.
8. Do not place Humidifier on an electrical appliance.

FILLING and REFILLING

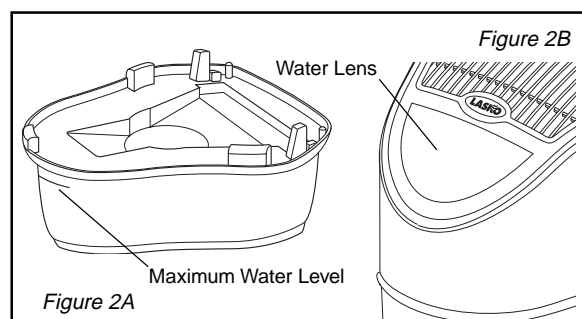
1. It is recommended that all Humidifiers be cleaned prior to use. Please read **CLEANING and FILTER CARE** section, for Base cleaning.
2. Remove the Upper Housing from the Base. Make sure that the Evaporative Pad is properly placed in the Base. (Figure 1)



3. Even though your Humidifier will produce approximately 3 gallons in a 24 hour period*, the water capacity (amount of water the Humidifier will hold at one time) is 1.75 gallons.
4. You may fill your **Recirculating Evaporative Humidifier** two different ways:

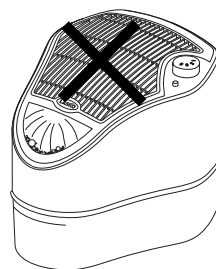
- A) Fill the Base with cool water to level indicated in Figure 2A.
- B) Replace the Upper Housing on the Base and push Water Lens down to pour water into the Humidifier (Figure 2B) until it reaches the level indicated in Figure 2A.

Do not overfill and never use hot water.



CAUTION: Do not pour water through the Exhaust Grill on the Upper Housing. Doing so may cause damage and personal injury.

Do not overfill. Overfilling the Unit may cause motor damage.



OPERATION INSTRUCTIONS

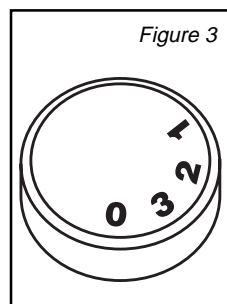
CAUTION: Always place Humidifier on a firm and level surface. Locate the Power Cord so the Humidifier is not resting on it, and the cord is away from room traffic.

Always carry filled Humidifier carefully. Never move water filled Humidifier while plugged in.

1. Take extra care to prevent water spillage that may damage furniture or flooring. **The manufacturer will not accept responsibility for damage to property caused by water spillage.**
2. Always be sure that the Power Control Knob is in the **OFF (0)** position **when plugging Humidifier into a polarized 120 volt AC wall outlet.**

CAUTION: Do not Plug Humidifier into electrical outlet with wet hands, or electrical shock may occur.

3. Set Moisture Control Knob to regulate desired amount of humidity. (Figure 3)



HIGH(3): For fast humidification of a large room. This setting will provide approximately 3 gallons of moisture output in a 24 hour period.*

MED (2): For normal operation.

LOW (1): For quiet, night time operation.

* Calculations based on ambient conditions of 70° F and 30% relative humidity in a room of average insulation.

4. Water usage will vary depending upon initial humidity level in the room. If humidity is low, the Unit will use water more rapidly until the humidity in the room is stabilized. If the humidity is already near or above 50% relative humidity, water consumption will be low.

CAUTION: Be careful not to direct airflow towards walls or furniture, as excessive moisture may cause damage.

5. Refill Humidifier when water level in the Base is low.
6. If you do not plan to use your Humidifier for several days, empty all water from the Unit. Standing water may provide an environment for the growth of algae

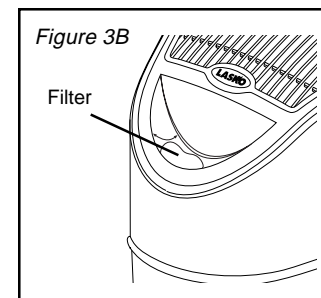
CLEANING and FILTER CARE

1. Regular cleaning is necessary to ensure proper and efficient operation. The frequency of cleaning depends on the amount of impurities which may be found in the water or how often the Humidifier is in operation. **In either instance, it is recommended that the Humidifier be cleaned at least once a week.**

CAUTION: To prevent electric shock, always turn Control Knob to OFF (0) position and unplug before cleaning.

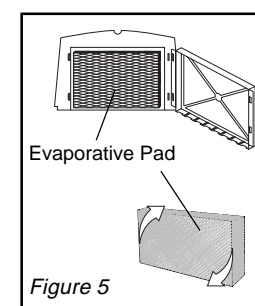
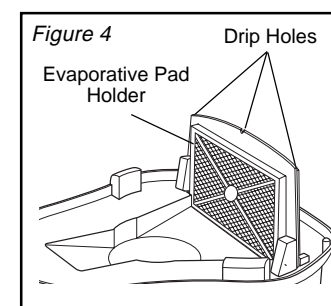
2. Remove Upper Housing from Base. **Be careful not to let excess water from pump spill onto furniture or flooring.**

3. With water lens pushed down, the filter may be removed for cleaning or replacing. (Figure 3B)



4. Remove Evaporative Pad Holder from Base and inspect Small Water Drip Holes for any blockage. (Figure 4)

It is important that these Drip Holes remain open at



all times for proper water supply to Evaporative Pad.

5. To increase the life of your Evaporative Pad, unsnap Holder, remove Pad and flip over. (Figure 5)

Evaporative Pad life may be extended by cleaning the Pad in a vinegar solution. To clean Pad, mix one part undiluted vinegar with four parts warm tap water. Soak the Pad in this solution for 20 minutes, rinse Pad thoroughly with warm water to remove vinegar odor.

DO NOT FLATTEN, SQUEEZE OR TWIST FILTER WHEN CLEANING.

6. Discoloration of the Evaporative Pad is normal after extended use. The discoloration is caused by mineral deposits in the water, and the degree of discoloration will vary depending upon the amount of mineral

content in the water. When the Pad surface area is thoroughly discolored, or you notice reduced water usage, it is a good indicator that the Evaporative Pad needs to be replaced. The Evaporative Pad should be replaced at least once every season.

The Replacement Pad to be used in this unit is: The Lasko Replacement Evaporative Pad Model THF 15 (Available Separately)

7. **TO DESCALE BASE AND DRIP SHIELD:** Mix one part undiluted white vinegar with four parts warm tap water. Let vinegar solution stand for 20 minutes then wipe away any scale buildup using a soft brush or cloth. **Do not use soap or detergents and never use an abrasive cleaner.**
8. **TO DISINFECT BASE AND DRIP SHIELD:** Fill with 1 teaspoon of chlorine bleach and 1 gallon of water. Let solution stand for 20 minutes. Carefully empty Jug and rinse well with water until bleach smell is gone.
9. Use a dry soft cloth to wipe the Chassis area, which includes the motor area. **DO NOT use water to clean the Motor or Switch area. Doing so may result in electrical shock or damage to the Humidifier.**
10. Commercial "Descalers" and "Bacteriostats" are available at your local home improvement center.
11. Do not operate Humidifier when there is still cleaner in the water.

OFF SEASON STORAGE

1. Clean and dry Humidifier thoroughly per the **CLEANING and FILTER CARE** section. **Do not leave any water in the Unit while storing.**
2. Dispose of the Evaporative Pad. Do not store a used Evaporative Pad in the Humidifier. **Do not dispose of Pad Holder.**
3. Place Humidifier back in its carton and store in a cool dry place.

TROUBLE SHOOTING GUIDE

TROUBLE	PROBABLE CAUSE	SOLUTION
Foul odor	<ul style="list-style-type: none"> • Filters need to be replaced • Base/reservoir needs to be cleaned • Whole humidifier needs cleaning 	Replace Filter Follow Instructions under CLEANING and FILTER CARE Follow Instructions under CLEANING and FILTER CARE
Filter discoloration	<ul style="list-style-type: none"> • Mineral deposits in water 	Replace Filter
Water discoloration	<ul style="list-style-type: none"> • Humidifier needs to be cleaned • Hard water - Iron in water • Some humidifier additives can cause discoloration 	Follow Instructions under CLEANING and FILTER CARE Use filtered or distilled water
No water show	<ul style="list-style-type: none"> • No water in Humidifier • Hose not connected to water show • Hose not connected to pump 	Fill with cool water Connect Hose to Water Show Connect Hose to Pump