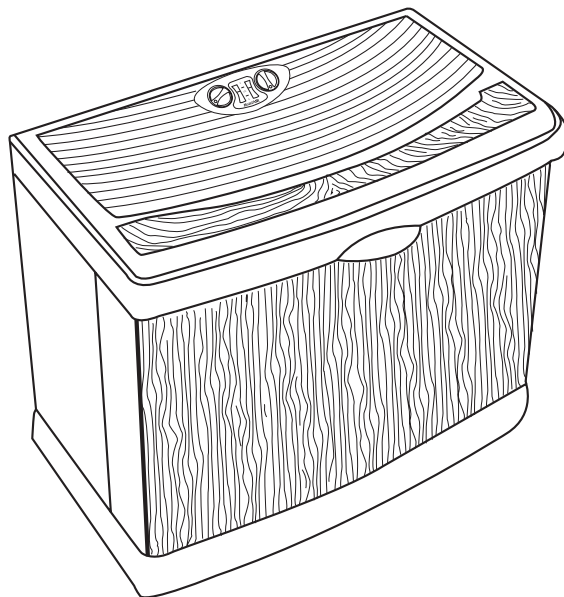


**CAUTION: READ ALL INSTRUCTIONS CAREFULLY BEFORE INSTALLATION.  
SAVE THIS OWNER'S MANUAL FOR FUTURE REFERENCE.**



**Model No.  
HD14060**

***MoistAIR***

**EMERSON**

**HD1406  
Evaporative Console  
Humidifier Owner's Manual**

### Limited Warranty

All products covered by this Owner's Manual are warranted against defects in workmanship and materials for one year from the date of sale except for motors, which are warranted for two years. This warranty does not apply to damage from accident, misuse or alteration nor where the connected voltage is more than 5% above the nameplate voltage, nor to the equipment improperly installed or wired or maintained in violation of this Owner's Manual. No other written or oral warranty applies. No employee, agent, dealer or other person is authorized to give any warranties on behalf of Emerson.

The customer shall be responsible for all costs incurred in the removal or reinstallation and shipping of the product for repairs. Within the limitations of this warranty, inoperative units should be returned, with a copy of the sales receipt, freight prepaid to a local repair service center and we will repair or replace, at our option, at no charge to you with return freight paid by Emerson. It is agreed that such repair or replacement is the exclusive remedy available from Emerson and that **Emerson Is Not Responsible For Damages Of Any Kind, Including Incidental And Consequential Damage**. Some states or provinces do not allow the exclusion or limitation of incidental or consequential damages, so the above exclusion or limitation may not apply to you.

The warranty gives you specific legal rights, and you may also have other rights which vary from state to state or province to province.

**Sales receipt required as proof of purchase for warranty claims.**

## GENERAL SAFETY INSTRUCTIONS

### Safety Signal Words

**DANGER:** means if the safety information is not followed someone **will** be seriously injured or killed.

**WARNING:** means if the safety information is not followed someone **could** be seriously injured or killed.

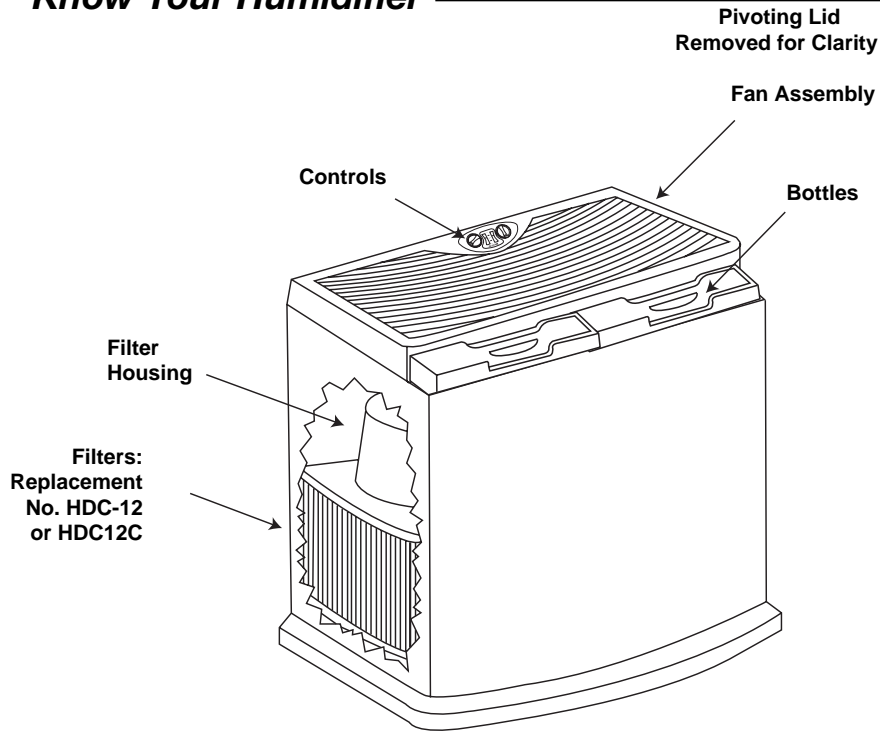
**CAUTION:** means if the safety information is not followed someone **may** be injured.

1. To reduce the risk of fire or shock hazard, plug humidifier directly into a 120V, A.C. electrical outlet. Do not use extension cords.
2. Keep the electric cord out of traffic areas. To reduce the risk of fire hazard, never put the electric cord under rugs, near heat registers, radiators, stoves or heaters.
3. Always unplug the humidifier before moving it, removing the fan assembly section, before cleaning, or whenever the humidifier is not in service.

4. Keep the humidifier clean.
5. Do not put foreign objects inside the humidifier.
6. Never use your humidifier while any part is missing or damaged in any manner.
7. To reduce the risk of electrical hazard or damage to humidifier, do not tilt, jolt or tip humidifier over while unit is running.
8. To reduce the risk of damage to humidifier, unplug humidifier when water bottles are empty or when the humidifier is not in use.
9. To reduce the risk of accidental electrical shock, do not touch the cord or controls with wet hands.
10. Note the warning label shown below.

**WARNING: To reduce the risk of fire, electric shock, or injury always unplug before filling, servicing or cleaning.**

## Know Your Humidifier



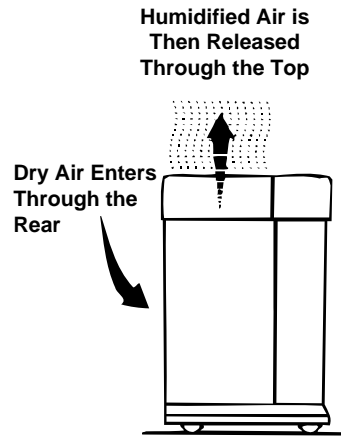
Description	HD1406
* Gallon Output/24 hrs.	14
* Litre Output/24 hrs.	53
Capacity of Bottles (U.S. Gallons)	2-3/8 Gallons Each
Capacity of Bottles (Litres)	9 Litres Each
* Sq. Ft. Coverage	2900
Fan Speeds	3
Filters	4 Pack (HDC-12) or (HDC12C)
Manual Dryout	Yes (see page 7)
Fill Indicator	Yes (Independent Bottle)
Auto Shut Off	Yes
Auto Humidistat	Yes
Controls	Rotary
CUL Listed	Yes
Volts	120 A.C.
Hertz	60
Amps	2.88
Watts	165

\*Based on an area with average insulation and an 8 foot ceiling  
ANSI/AHAM HU-1-1997, SEC. 8.1

## Humidifier Operations

Your new Emerson humidifier is designed to satisfy home humidity requirements through the principle of evaporation of water into the air.

After water is added to the bottles and positioned in the humidifier, the filters begin to soak up the water and become totally saturated in approximately 30 minutes. Air is drawn in from the rear of the humidifier and through the filters by means of two circulation fans. As air passes through the filters, moisture is absorbed into the air and then released through the top of the humidifier. This moist air is released in the form of vapor. No water droplets will enter the home. All evaporation into the air takes place in the humidifier, which means that the residue left by evaporating water is not passed into the home, but remains in the filter.



**CAUTION: Use only liquid EPA Registered Bacteriostat available from your local retail store. Under no circumstances should you use water treatment products for Roto belt or Ultrasonic humidifiers.**

**CAUTION: Keep your humidifier clean. While humidifiers do not cause colds, some studies suggest that dirty humidifiers can cause cold-like symptoms in some people. To avoid this, clean your humidifier weekly with cleaners specifically recommended for evaporative humidifiers.**

## Unpacking & Assembly

Your new Emerson humidifier is completely assembled for you to use. Remove the bag pack containing two plastic caster pads from top of humidifier and retain for future use if required. See Step 1 on page 5 for instructions. Remove the packaging material from

inside your humidifier and follow the instructions of this owner's manual for proper usage. The packaging material is located under the fan assembly. Remove the packaging material and discard.

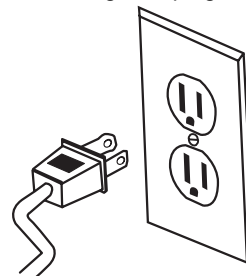
## Electrical Hook-Up

Locate nearest 120V A.C. wall socket in the location desired, preferably on inside wall. With the humidifier in the desired location, route the electrical cord safely so no one will trip or upset the humidifier. Plug in the electrical cord.

**WARNING: To reduce the risk of fire or shock hazard, humidifier should be plugged into a 120V A.C. outlet. Do not use extension cords.**

To reduce the risk of electrical shock, this humidifier has a polarized plug (one blade is wider than the other). This plug will fit in a polarized outlet only one way.

If the plug does not fit fully in the outlet, reverse plug. If it still does not fit, contact a qualified electrician to install the proper outlet. Do not change the plug in any way.



## Location Instructions

**WARNING:** For your own safety, do not use humidifier if any parts are damaged or missing.

### Step 1

Place humidifier on a flat level surface in area of house where humidity is needed most, or one which would likely result in moist air being circulated throughout the house such as near a cold air return. Placing the unit level is very important if the humidifier is located on carpeting.

**NOTE:** This console humidifier contains water bottles. The weight of the bottles in the front of the cabinet may sink the front casters deeper in the carpet. This will keep the water level forward in the cabinet. The water level float (located at the rear of the cabinet) may not sense the water and the fill light will be on and the unit will not energize. If this happens, the unit will need to be leveled in order for the humidifier to be energized.

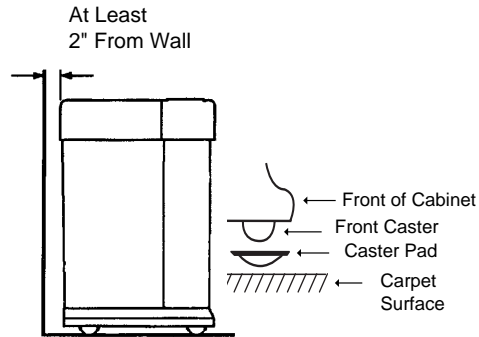
To level the humidifier on carpeted surfaces place the included caster pads under the front two casters of the humidifier only.

Moist air (humidity) produced will disperse into the whole house, but area closest to unit will have the highest humidity. If the unit is positioned close to a window, condensation may form on the window pane. If this is not appropriate the unit should be repositioned in another location.

**NOTE:** Due to release of cool, moist air from humidifier, it is best to direct air away from home thermostat and hot air registers. It is best to position humidifier next to an inside wall. Hot air registers and cold air from outside walls can affect the efficiencies of the controls. Unit should not be placed where warm air from a hot air register blows directly on unit.

### Step 2

The humidifier should be positioned with the back (cord exit side), at least 2 inches away from the wall. Air needs to enter through louvers in the back of the cabinet in order for the humidifier to operate at peak efficiency.



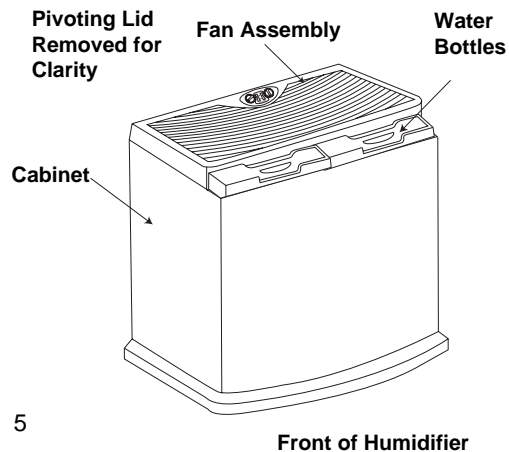
**NOTE:** If positioning on carpet, place caster pads under front casters only to level (if necessary).

## Water Fill

**WARNING:** To reduce the risk of shock, always unplug humidifier before filling, cleaning, or servicing.

**WARNING:** To reduce the risk of fire or shock hazard, do not pour or spill water into control or motor area. Close the control cover. If controls get wet, let them dry completely and have unit checked by authorized service personnel before plugging in.

This humidifier is designed to be used with the two water bottles that are located under the pivoting lid.



## Water Fill (continued)

Open the pivoting lid of the humidifier. Remove the water bottles, by lifting them straight up and out of the cabinet.

Notice the water bottles are designed as right and left hand units. Position them in the correct location so the humidifier can function properly. The water bottles should rest in the front of the cabinet. Each Side Fill Cap must be facing the rear of the unit

Each water bottle is designed with a Side Fill Cap that is easily removable. Remove the Side Fill Cap on the side of the water bottle by twisting counterclockwise. Each bottle will hold 2-3/8 gallons (9 litres) of water.

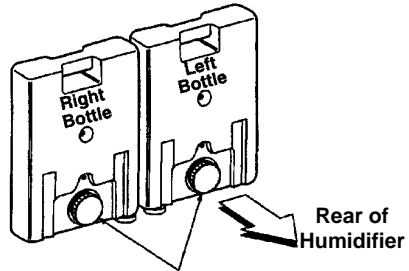
Place the opening of the water bottle under a water faucet (the bottle should fit under a four-inch clearance faucet). Fill with cold water. If necessary, add recommended amount of EPA registered liquid bacteriostat. Do not add solid debris as this could make the valve leak. Install the Side Fill Cap by twisting clockwise. Hand tighten only.

**Check for possible leaks by performing the following:**

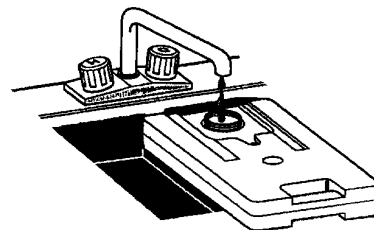
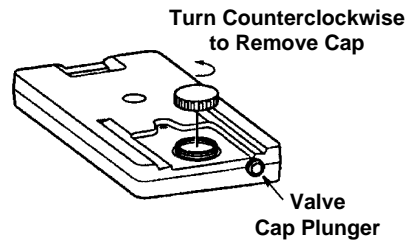
1. Grasp bottle handle and hold the bottle upright over a sink.
2. Press up on valve cap plunger for about one second to let out a little water.
3. Release the plunger.
4. Listen for air bubbles. Look for leaks around Side Fill Cap.
5. If you hear air bubbles or see leaks, retighten Side Fill Cap and repeat steps 1-4.

**NOTE: Repeat for other bottle. If either fill cap leaks, water may overflow and leak out of the rear vents of the cabinet.**

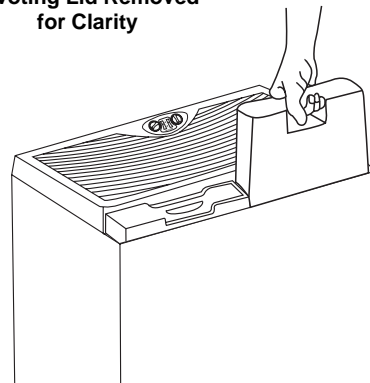
Wipe off excess water from the bottle. Position the water bottle back into the unit. Grasp the water bottle handle, and lower into the cabinet until the bottle sits on pads at bottom of cabinet. The Side Fill Cap must be facing the rear of the cabinet. When positioned properly, the plunger will open and water will flow into the cabinet. The water level will automatically remain at approximately 1/2" until the bottles are empty. The unit is now ready for operation.



Side Fill Cap Should Always Face Rear



Pivoting Lid Removed for Clarity



## Operating Humidifier Controls

The operating controls of your Emerson whole house humidifier are located on the top center of the humidifier. The controls are found at the rear if the humidifier, located between the air circulating fans.

Familiarize yourself with the controls and reference the diagram of the control area for the correct naming used in this manual.

### To Operate the Controls

#### Humidity Control:

Adjust the amount of humidity depending on your needs. The humidifier will turn on and off as required to maintain level of humidity selected. A medium setting is recommended, but there are times when low or high amount of humidity may be preferred. For constant operation of humidifier, rotate humidity knob all the way clockwise. This allows for the maximum amount of humidity to be evaporated into the air continuously.

**IMPORTANT: Water damage may result if condensation starts to form on windows or walls. Humidity Control setting should be lowered until condensation no longer forms.**

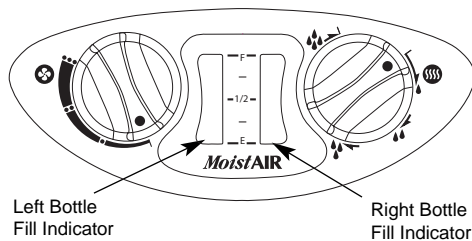
#### Speed Control

The unit is adjusted from off "I" to high "•••" with a rotary speed control. The higher the air flow speed, the more water is evaporated and released into the air. Low speed "•" is the quietest and is provided for conditions that may not require as high an evaporation rate.

#### Water Bottle Gauges

This humidifier is equipped with independent (left and right) water level bottle gauges. The right bottle as viewed from the front of the humidifier will always empty first. As it empties the gauge moves until the word "REFILL" is displayed in the red indicator section. NOTE: The humidifier will not shut off at this stage.

Once the right bottle empties, the humidifier will begin to use the water from the left bottle until it is depleted. There will still be a slight delay in the unit shutting off while it depletes the water in the bottom of the cabinet. At this time or anytime during normal operation you may fill the water bottles to continue operation. **Note:** A small amount of water remains in cabinet after both "REFILL" Indicators are displayed and the unit shuts off.



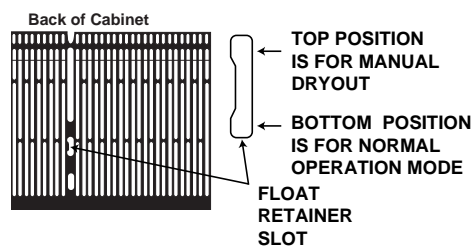
### Manual Dryout

At the end of the humidification season or if you do not plan to run the humidifier for one week or more, you can override the automatic shutoff function to completely dry the humidifier cabinet out.

To do this, simply slide the float retainer located at the back of the humidifier cabinet to the top position of the slot it is located in. This will hold the float in an upward position and the fans will run until you turn the power off.

NOTE: Be sure to position float retainer to the normal operating mode (lowest position in slot) for humidifier operation.

Below is a diagram of the slot the float retainer is located in at the back of the cabinet.



## Using Your Humidifier


### Step 1

Be sure humidifier is full of water and plugged in.

### Step 2

Set Speed Control  to low speed "•".

### Step 3

Set Humidity Control "  " to medium position.

**NOTE:** Humidifier should operate with humidity control on the recommended medium setting. If it does not, the humidity is at a relatively high level. To test the unit under this condition, turn Humidity Control all the way to clockwise and unit should begin to operate. After the unit has been tested, set Humidity Control to medium or desired level.

Allow 24 hours for humidifier to adjust.

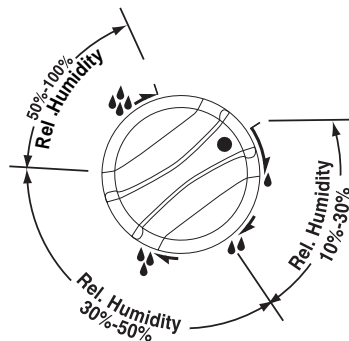
If humidity level in home is sufficient, the humidifier will only operate with Humidity Control turned all the way clockwise.

**IMPORTANT:** Water damage may result if condensation starts to form on windows or walls. Humidity Control setting should be lowered until condensation no longer forms.

### Step 4

If humidifier stops running and **BOTH** Fill indicators are not on, the humidity level is at the normal requirements for that setting or it is adjusting to the home conditions. The chart below shows recommended indoor humidity levels. The figure below shows approximate relative humidity percentages which correspond to the various settings of the Humidity Control.

When Outdoor Temperature is:	Recommended Indoor Relative Humidity is:
-10°F	20%
0°F	25%
10°F	30%
20°F & above	35%



Relative Humidity

## Operating Tips for Best Performance

1. Position the humidifier at least 2 inches from any wall and away from any heat registers.
2. Do not restrict airflow from entering or exiting the humidifier.
3. Use liquid EPA registered bacteriostat to retard bacteria growth that may cause odors and may be harmful to your health.
4. Perform regular cleaning as instructed in "Cleaning Your Humidifier" section of this manual.
5. Replace the evaporative wicking filters at least once per humidification season or more depending on water conditions in your area.

## Replacement and Care of Filters

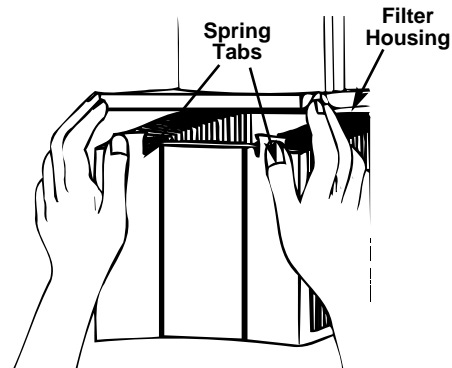
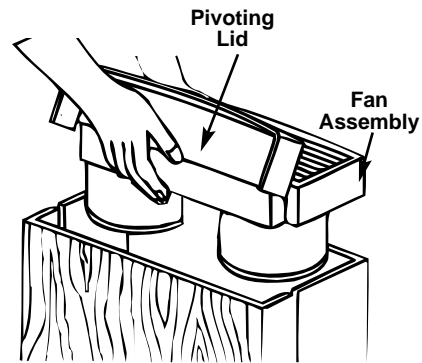
**WARNING:** To reduce the risk of shock or injury from moving parts, always unplug humidifier before removing or replacing any parts.

**CAUTION:** To help retard bacteria growth and keep maximum efficiency, the filters should be replaced at least once a season, or more often under hard water conditions. Use Emerson HDC-12 (or HDC12C in Canada) recommended replacement filter.

All filters may be rinsed in clear water only. Take care not to damage paper.

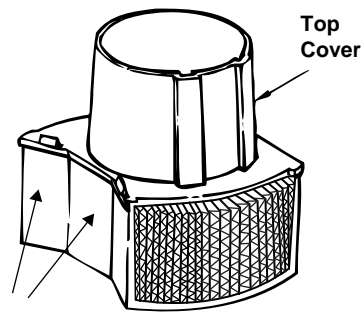
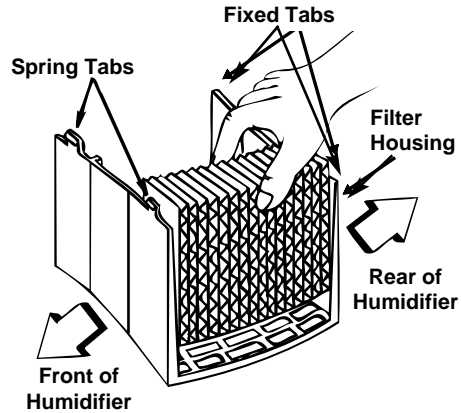
To replace the evaporative wicking filters in your Emerson humidifier, follow the instructions below.

1. Unplug humidifier, and proceed to clean. Before removing the filters, we recommend moving the humidifier to an area where floor coverings are not susceptible to water damage, i.e. kitchen or bath areas.
2. Open the pivoting lid and remove water bottles and set aside. Grasp the fan assembly front center and rear center. Lift off and set aside on a clean flat surface. The filter assemblies are now accessible.
3. Lift filter housings out of cabinet and place where you may work on them comfortably. With a soft, absorbent cloth, remove any remaining water or loose mineral deposits not trapped in the filter from the humidifier cabinet.
4. To open filter housing for easy access to filters
  - a. Deflect the two spring tabs on top of filter housing. Lift top cover off of the filter housing and set aside.
  - b. Remove the two filters and dispose of properly. Clean internal parts of humidifier per the "Cleaning Your Humidifier" section of your owner's manual.



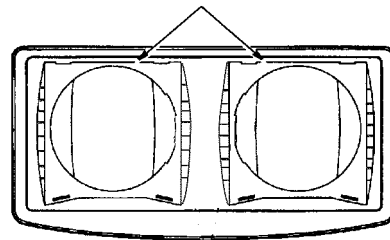
## Replacement and Care of Filters (continued)

- c. Install new filters in the filter housing track with the glue beads of the wicking pad to the inside of the filter housing.
- d. Return the top cover of the filter housing by installing the cover over the fixed tabs on the rear of the lower filter housing and pivoting the cover down over the top of the filters. Snap the cover over the two spring tabs.
- e. Replace the filter housing in the cabinet. **Note:** There is a front and back orientation. To position the filter housings correctly:
  - Be sure that spring tabs of filter housings are towards front of cabinet.
  - Align the lower portion of the filter assembly over the six ribs, located at the bottom rear of the humidifier cabinet.
- f. Position fan assembly onto the cabinet. Make sure the fan venturi (lowest cylinder section below the fan) is placed inside the filter housing.
- g. Replace water bottles.
- h. Close the pivoting lid on the fan assembly.
- i. The unit is ready for use or to be stored away for the next season.



Spring Tabs  
Towards Front of Cabinet

Flat Portion of Filter Housing  
Towards Back of Cabinet



Spring Tabs Towards Front of Cabinet  
Step 4.e.

## Cleaning Your Humidifier

**CAUTION:** To reduce the risk of injury, fire or damage to humidifier, use only cleaners specifically recommended for humidifiers. Never use flammable, combustible or poisonous materials to clean your humidifier. To reduce the risk of scalds and damage to humidifier, never put hot water in humidifier.

**CAUTION:** Local water purity may vary from area to area and under certain conditions water impurities and airborne bacteria may promote the growth of microorganisms in the reservoir of a humidifier.

To retard bacteria growth that may cause odors and be harmful to your health, use only Emerson replacement filters. We also recommend using an EPA registered liquid bacteriostat, and cleaners specifically recommended for evaporative humidifiers available at your local retail store.

**NOTE:** If it is necessary to use an approved bacteriostat, follow the directions correctly. The bottles of this unit will hold 2-3/8 gallons or 9 litres of water each.

### Step 1

To make cleaning easier, the humidifier cabinet should be empty and completely dried out. To accomplish this, use the following method:

- Allow the humidifier to run until the automatic shutoff turns the humidifier "OFF".
- Unplug humidifier

**WARNING:** If humidifier is not unplugged, fan could start after housing is removed.

### Step 2

#### To Remove Parts

- Open the pivoting lid and remove water bottles and set aside. Grasp the fan assembly front center and rear center. Lift

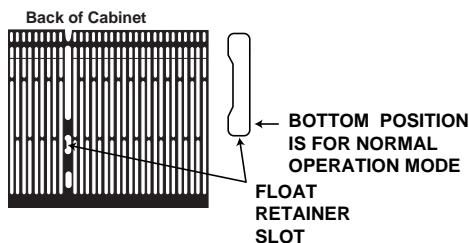
off and set aside on a clean flat surface. The filter housings are now accessible.

- Before removing the internal parts of the humidifier cabinet, we recommend moving the humidifier to an area where floor coverings are not susceptible to water damage, i.e., kitchen or bath area. Lift the filter housing assemblies out of the cabinet and set to the side.
- Remove the water level float from the humidifier cabinet by pinching the float retainer at the back of the cabinet to release it. The cabinet should be empty before cleaning. The cabinet consists of the lower areas of the humidifier where the filters are during normal operation time.
- Empty cabinet of any remaining water.
- Proceed to "Bi-Weekly Maintenance" or "End of Season Maintenance" then continue as described below.
- Remove old filters and dispose of properly as described on page 9 and 10.

### Step 3

Install new filters (use Emerson Replacement Filters) into the location where the old filters were positioned. Install water level float at back of cabinet. Ensure that you slide the float retainer down to the lowest position in slot at back of cabinet. (See diagram of slot below). Install the filter housings with the new filters into the correct location. Position the fan assembly on top of the cabinet and return the humidifier to the desired location for use.

Refill humidifier bottles with fresh cool water. Plug the unit into a 120 volt A.C. power outlet and set the controls per the "Operating Humidifier Controls" section of this manual.



## ***Cleaning Your Humidifier (continued)***

### **Bi-Weekly Maintenance**

#### **Removing Scale**

1. Fill the humidifier cabinet with one 8 oz. cup of undiluted white vinegar. Let solution stay 20 minutes.
2. Clean all interior surfaces with soft brush. Dampen a soft cloth with undiluted white vinegar and wipe out the humidifier cabinet to remove scale.
3. Rinse thoroughly with clean warm water to remove scale and cleaning solution before disinfecting the humidifier cabinet.
4. Dust the fan assembly and outside surfaces with a soft cloth only.

#### **Disinfecting Humidifier Cabinet and Bottles**

1. Fill humidifier cabinet with 1 teaspoon chlorine bleach in 1 gallon of water. Let solution stay 20 minutes, swishing every few minutes. Wet all surfaces normally exposed to water.

2. Empty humidifier cabinet after 20 minutes. Rinse with water until bleach smell is gone. Allow unit to dry out completely.
3. Water bottles should be cleaned in same manner.

#### **End of Season Maintenance**

1. Follow bi-weekly maintenance instructions at end of humidification season.
2. Remove and throw away filters.
3. Let humidifier dry completely before storing. Do not store with water inside cabinet.
4. Store in cool, dry location.
5. Install new filters into a clean humidifier before next season begins.
6. "Bi-Weekly Maintenance" is also recommended if you do not plan to run the humidifier for one week or more.

## Troubleshooting

Trouble	Probable Cause	Remedy
Unit will not run.	<ul style="list-style-type: none"> <li>No Power.</li> </ul>	<ul style="list-style-type: none"> <li>Check 120 volt power source.</li> </ul>
Unit will not shut off.	<ul style="list-style-type: none"> <li>Float retainer is positioned in "Manual Dryout" position.</li> <li>Float is not free.</li> </ul>	<ul style="list-style-type: none"> <li>Slide float retainer down to normal operation mode. Refer to "Manual Dryout" section on page 7.</li> <li>Free float from obstruction.</li> </ul>
Unit will not dry out completely.	<ul style="list-style-type: none"> <li>Float is positioned in normal operation mode.</li> </ul>	<ul style="list-style-type: none"> <li>This is normal. A small amount of water remains in the cabinet after "Refill" is displayed on indicators. Position float retainer in "Manual Dryout" position to completely dry out. See page 7.</li> </ul>
Bottles continue to empty.	<ul style="list-style-type: none"> <li>Air is entering water bottles.</li> </ul>	<ul style="list-style-type: none"> <li>Check Side Fill Caps and valve assembly caps to ensure tightness.</li> <li>Check for leak in water bottles.</li> <li>Ensure gaskets for Side Fill Caps are in place.</li> </ul>
Neither bottle emptying.	<ul style="list-style-type: none"> <li>Bottle cap plunger missing post in bottom of cabinet</li> <li>Dirty filters</li> </ul>	<ul style="list-style-type: none"> <li>Check orientation of bottles. Reposition so that bottle cap plunger (stem) is depressed by post in bottom of cabinet.</li> <li>Change to fresh new filters. HDC12 or HDC12C</li> </ul>
Left bottle not emptying.	<ul style="list-style-type: none"> <li>Right bottle contains water</li> </ul>	<ul style="list-style-type: none"> <li>The humidifier is designed so the right bottle empties first. Continue to run until both fill lights come on.</li> </ul>
Fill Indicators displayed before bottles are empty.  Note: There may be a little water still in bottle when "Refill" indicator is displayed. This is normal.	<ul style="list-style-type: none"> <li>Unit is not set up on a level surface. (Float will not sense water at the rear of the cabinet.)</li> </ul>	<ul style="list-style-type: none"> <li>Position unit level. (Some carpet padding may allow unit to sit lower in front than rear with the additional weight of water bottles in the front of the cabinet. Install caster pads under front casters. (See page 4).</li> </ul>

**FOR TECHNICAL HELP**  
**If in the USA call 1-800-654-3545**  
**If in Canada call 1-888-744-4687**



## Repair Parts

### Parts List for MoistAir Humidifiers Model No. HD14060

Always order by part number - Not by key number

Key No.	Part No.	Description
1	830869	Knob
2	830867	Face Plate, Control
3	830868	Label, Control
4	828741-1	Lid, Stationary
5	828855-2	Lid, Pivoting
6	822409	Humidistat
7	823912	Switch, Rotary
8	828753	Cover, Actuator Arm
9	828755	Spring, Compression
10	830866	Label, Actuator Arm
11	828751	Arm, LH Actuator
12	828752	Arm, RH Actuator
13	828749	Retainer, Micro Switch
14	828854	Switch, Micro
15	824690	"Easy-Fill Side-Cap"
16	828192	Bottle, Left (Includes Key No's 15 & 18)
17	828726	Bottle, Right (Includes Key No's 15 & 18)
18	509229-1	Cap, Valve Assembly
19	828998	Cabinet
20	823726	Rail, Kick
21	STD601107	* Screw, Pan Hd. Ty "AB" #10 x 3/4
22	828515	Caster, Twin Wheel
23	823849	Support, Filter Lower
24	HDC12	† Filter, Evaporative
25	828197	Support, Upper Filter
26	828534	Support, Motor
27	828115-1	Motor (Includes mounting hardware)
28	822406-1	Fan
29	828197	Support, Upper Filter
30	824120	Cord w/Plug
31	816069-5	* Screw, Pan Hd. Ty "AB" #6 x 1/2
32	816069-6	* Screw, Pan Hd. Ty "AB" #6 x 3/4
33	STD600805	* Screw, Pan Hd. Ty "AB" #8 x 1/2
34	824101-1	Retainer, Float
35	828200	Float, Water Level
36	828745	Enclosure, Electronics
37	828920	Pad, Caster (Two)
-	SP6555	Owner's Manual (not illustrated)

\* Standard Hardware Item - May be purchased locally.  
† Stock Item - Purchase locally or call 1-800-654-3545 from the USA or 1-866-808-6500 from Canada to order.

To order parts call: USA 1-800-654-3545 Canada 1-866-808-6500

---

FOR TECHNICAL HELP, CALL  
(800) 654-3545 FROM USA OR (888) 744-4687 FROM CANADA  
(Please have complete model number)

---

***MoistAIR***<sup>®</sup>



Emerson Tool Company  
For more information about MoistAir<sup>®</sup> humidifiers visit our website at  
[www.moistair.com](http://www.moistair.com)

© 2004 Emerson  
Part No. SP6555

Form No. SP6555

Printed in Canada 11/04