

In English	1-10
En Français	11-20
En Español	21-30

***Slant/Fin***<sup>®</sup>

Portable Electric Warm Mist Humidifier  
Germ-Free™ Model GF-300 and GF-350



GF-350 Shown

Patented

- Instructions for Operation, Care and Cleaning
- Limited Warranty

**READ AND SAVE THESE INSTRUCTIONS**

***Slant/Fin***<sup>®</sup>

Slant/Fin Corp., 40 Garvies Point Road, Glen Cove, NY 11542

Printed in CHINA 8/99  
Imprimé à CHINA 8/99  
Impreso en CHINA 8/99

Publication GF-300/350-40EFS  
Part Number 91-2001

**READ ALL OF THE FOLLOWING INSTRUCTIONS BEFORE ATTEMPTING TO OPERATE YOUR HUMIDIFIER. FOLLOWING THESE SIMPLE GUIDELINES FOR USE AND CARE WILL HELP ENSURE YEARS OF DEPENDABLE AND EFFICIENT SERVICE.**

## IMPORTANT SAFEGUARDS

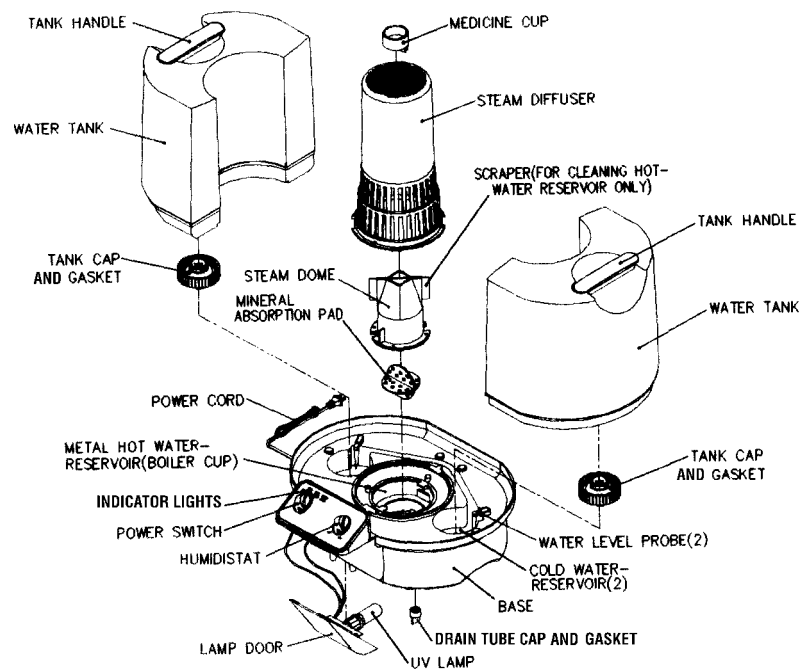
CAUTION: BECAUSE HIGH TEMPERATURE IS GENERATED IN THIS HUMIDIFIER, BASIC SAFETY PRECAUTIONS SHOULD ALWAYS BE FOLLOWED ESPECIALLY WHEN CHILDREN ARE PRESENT.

WHEN USING ELECTRICAL APPLIANCES, THESE BASIC SAFETY PRECAUTIONS MUST BE FOLLOWED:

1. **DO NOT** operate the humidifier without the water tanks.
2. **ALWAYS** use clean, cool tap water to fill the water tanks.
3. To avoid risk of fire or shock, **DO NOT** use an extension cord.
4. **DO NOT** handle the unit with wet hands.
5. **NEVER** tilt, move, or attempt to empty the unit while it is operating or plugged in. Shut off, unplug and remove water tanks before moving unit.
6. **DO NOT** place the unit close to heated areas, such as near stoves, heaters or in direct sunlight.
7. **DO NOT** operate OUTDOORS. This humidifier is intended for indoor use only.
8. **DO NOT** let water get into the air inlets on the bottom of the enclosure or on the cord or plug.
9. **DO NOT** store or use gasoline or other flammable vapors and liquids near the humidifier.
10. **ALWAYS** make sure the water tank caps and gaskets are firmly in place.
11. **DO NOT** touch hot surfaces.
12. **ALWAYS** turn the humidifier off when the water tanks are empty or when the unit is not in use. If you turn your unit off for extended periods, **ALWAYS** disconnect the power cord and empty the water tanks and base.
13. **ALWAYS** place the unit on a firm flat, level, water resistant surface and arrange the power cord so that the product is unlikely to be upset.
14. **DO NOT** clean the product or service the UV germicidal bulb without disconnecting the power cord.
15. Before connecting to electric power outlet, check your electrical power supply. It must be 120 volts A.C. (alternating current). The outlet may be 15 amp or 20 amp. The circuit must be of adequate size and must be protected by fuse or circuit breaker.

16. This item has a polarized plug. As a safety feature, this plug will fit in a polarized electrical receptacle (outlet) only one way. If the plug does not fit fully in the outlet, reverse the plug. If it still does not fit, contact a qualified electrician.
17. **DO NOT** attempt to remove STEAM DOME, STEAM DIFFUSER OR MINERAL ABSORPTION PAD, during operation, or within 15 minutes after the humidifier is turned to the "OFF" position and unplugged. Serious injury may result. MINERAL ABSORPTION PAD, STEAM DIFFUSER AND STEAM DOME should only be removed for cleaning and maintenance purposes. **DO NOT** place hands or face directly over STEAM DIFFUSER while unit is in operation.
18. Place unit in an area where it is not accessible to children.
19. Before using the unit, check the power cord for any signs of damage.
20. This humidifier requires daily and weekly maintenance.
21. Refer to CLEANING AND MAINTENANCE instructions provided. **NEVER** clean humidifier in any other manner than as instructed by this manual.

## SAVE THESE INSTRUCTIONS



GF-350 Shown

## WEEKLY CLEANING AND MAINTENANCE ADVISORY

At least weekly cleaning is recommended, when the unit has been in use. Regular cleaning prevents mineral scale buildup in the hot water reservoir. It also helps prevent buildup of bacteria, molds or other microorganisms in the tank or system. This ensures that your humidifier will operate at maximum efficiency. (See page 6 for full cleaning instructions.)

## HOW YOUR SLANT/FIN WARM MIST HUMIDIFIER WORKS

The model GF-300 and GF-350 humidifier uses a two-step approach to eliminate potentially harmful microorganisms from the water before they are spread with the mist into the air. The first step uses a UV germicidal bulb, located inside the base of the humidifier, that shines on the water through a special glass tube as it passes from the cold water reservoirs to the hot water reservoir. The second step is the boiling action that takes place in the hot water reservoir just before the mist is distributed to the air in the room. These two methods limit the likelihood of harmful microorganisms getting into the atmosphere and being breathed by you, your family and pets.

GF-350 Shown



## CONTROL PANEL

### POWER SWITCH — LO AND HI POSITIONS

When the switch is turned to the “LO” or “HI” setting and the unit is plugged in, the power is on. With the unit running in the LO setting, it will be producing vapor at a lower rate than when running in the HI setting.



GF-350 Shown

**OFF POSITION** - This cuts power to unit and should be used (in addition to unplugging unit) before moving, performing maintenance, etc.

### REPLACE UV BULB

If the “REPLACE UV BULB” signal light is illuminated during normal use, the bulb must be replaced with the same special 3.5W bulb. See the enclosed order

form. The UV germicidal bulb will operate at maximum output for approximately 2,000 hours (typically 1 to 2 years of normal operation). The UV germicidal bulb may operate longer than 2,000 hours but at a reduced output. To keep your humidifier operating at maximum efficiency it is recommended that the UV germicidal bulb be replaced after 2,000 hours of use.

**REFILL/CLEAN INDICATOR** - When illuminated, the water tanks need refilling. See the section “Filling the Water Tank”. If still illuminated a few minutes after full tank is placed on base, reposition water tanks. (Unit will operate with only one water tank.) Each time you fill tanks, rinse tanks, hot water reservoir and cold water reservoirs, clean them according to CLEANING INSTRUCTIONS if minerals or film are present.

**RELATIVE HUMIDITY CONTROL** - This controls the humidity level. If moderate humidity is desired, the control should be turned counterclockwise toward “LO”; and if higher humidity is desired, clockwise toward “HI”.

**NOTE:** When you unpack your humidifier, you may find it has droplets of water on some surfaces. This is normal as every unit is tested prior to shipping. Carefully unpack humidifier and remove all packing material.

## OPERATING INSTRUCTIONS

1. Fill the water tanks according to the instructions below and place on humidifier base.
2. Plug the power cord firmly and completely into the wall outlet.
3. Turn the switch to either the LO or HI position. It will be normal for the humidifier to take a few minutes to warm up and begin to mist.
4. When the water tanks are empty, (after approximately 36 hours running time), the “REFILL/CLEAN WHEN LIT” lamp will go on, and the unit will stop heating. Refer to the “FILLING THE WATER TANKS” section.
5. Whenever the water falls below the level of the probes during operation, the heating element will shut off and stop heating, and the REFILL/CLEAN indicator will light.
6. The unit will operate as long as there is water in either tank and unit will operate with either one or both tanks.

## FILLING THE WATER TANKS

1. Before filling the water tanks, turn the POWER switch to the “OFF” position and unplug unit. Refer to CLEANING INSTRUCTIONS.
2. Remove water tanks from base, turn each tank upside down and remove tank cap by turning counterclockwise. Fill tank with clean cold tap water. Replace the tank cap by turning clockwise. Tighten firmly.
3. Carefully pick up tank, since it will be heavy when full, and slippery if wet.
4. Place water tanks on base. Make sure tanks are properly placed, otherwise, the humidifier will not work correctly.

## USING THE MEDICATION CUP

In order to add a medicated vapor to the “mist” output:

1. Turn the POWER switch to the “OFF” position and allow the steam diffuser to cool.
2. Carefully add liquid medication to medicine cup. DO NOT fill the cup more than half full.

3. Carefully place medicine cup on top of steam diffuser
4. Turn the POWER switch to either the LO or HI position.
5. After use, remove the cup from the unit and clean any residue from the cup with warm water.

**WARNING:**

DO NOT use any liquid medication other than those specifically recommended for use with a steam vaporizer or warm mist humidifier.

DO NOT pour medication directly into the steam diffuser openings nor add it to the water in the tank or tray.

**MINERAL ABSORPTION PAD INSTRUCTIONS**

Warm mist humidifiers do not spread fine mineral dust into the air that you breathe nor on your furniture, the way that other type humidifiers do. The mineral dust remains trapped in the humidifier hot water reservoir. Use of mineral absorption pads will play a major role in capturing and removing minerals from hot water reservoir, and preventing a stubborn mineral buildup.

1. Before starting humidifier, place mineral absorption pad in the hot water reservoir. After the humidifier has been operating, the water will become HOT, and CAUTION should be exercised when handling mineral absorption pad. It is best to allow humidifier water to cool down, and to use tongs or long tweezers when handling pad.
2. The useful life of the mineral absorption pad will vary, depending on the mineral content of the water used. In areas of moderate mineral content water supply, the mineral absorption pad should be changed after approximately (3) weeks of continuous use. If the water is "Hard Water", the pad should be changed more frequently. The best way to tell when the pad should be changed is to examine it AFTER the water has cooled down, to see if it is still soft and pliable. When the pad is near the end of its life, it becomes stiff and hard and should be replaced with a new pad. Another sign to change pad is when scale begins to buildup on interior of hot water reservoir.

**CLEANING AND MAINTENANCE**

Water contains minerals and other particles. During operation most of these minerals will remain in the water reservoir. Gradual buildup of deposits will coat the hot water reservoir and reduce its efficiency. The importance of routine cleaning and care cannot be over-emphasized. Hard water contains more minerals and other particles.

**CLEANING INSTRUCTIONS**

Failure to perform the necessary cleaning steps will damage unit.

1. Before cleaning, set CONTROLS to "OFF" position and unplug unit.
2. Remove water tanks from humidifier base, and drain water from tanks.
3. Allow at least 15 minutes after shutting unit "OFF" before moving base.

Rotate steam diffuser counterclockwise until steam diffuser slots line up with tabs in base, and lift up. Rotate steam dome until steam dome slots line up with tabs in base and lift out. Remove mineral absorption pad from hot water reservoir using tweezers or tongs to prevent burns from hot water. When the cleaning procedure is completed, replace mineral absorption pad. To drain water from humidifier base, grasp with both hands and tilt to the side, draining water into the sink. BE CAREFUL NOT TO HAVE DRAINING WATER FALL INTO CONTROLS OR VENT OPENINGS. DO NOT drain in any manner other than indicated. **WARNING:** DO NOT place directly under running faucet. Turn the base upside down and remove the drain tube cap by turning it counterclockwise. Clean out any foreign matter that has accumulated inside the fitting from which the cap was removed. After cleaning, replace this cap tightly by hand. Pour a small amount of water into the hot water reservoir and check for leaks from this cap under the base.

4. Pour about 1 cup of white vinegar into either reservoir and allow it to soak for only 20 to 30 minutes.
5. Hold the base of the humidifier over the sink and tilt it on its side to empty the vinegar. Fill the cold and hot water reservoirs with clean, warm water to remove all traces of the vinegar. Remove any buildup of minerals in the hot water reservoir and from the two metal water level probes (they appear like two metal wires) using a small brush, such as a toothbrush. NOTE: The buildup is due to water hardness. The harder your water, the more often this maintenance will be needed. Empty all of this water by turning the unit on its side. If minerals remain in the metal (stainless steel) boiler cup, the stainless steel blade in the steam dome can be inserted into the boiler cup and used to scrape off the mineral deposits. Be careful not to use this blade on any plastic parts.  
DO NOT ALLOW WATER TO ENTER THE BOTTOM OF THE HUMIDIFIER BASE OR ANY OTHER OPENINGS, OR IMMERSE THE CORD AND PLUG.
6. Disinfect the water tanks using a solution of one teaspoon of household chlorine bleach in 1 gallon of water. Let the solution sit for 20 minutes, swishing every few minutes to wet all surfaces. Empty the tanks completely; rinse thoroughly until all of the bleach smell is gone. Fill the tanks with fresh, cool water and replace them onto the humidifier base.
7. NEVER use any metal or hard objects to clean plastic parts which may cause scratching of the plastic parts. The only exception to this is the metal part of the hot water reservoir. A metal scraper can be used to clean this part only. Stainless steel metal scraper in steam dome can be used on stainless steel metal boiler cup only. NEVER use gasoline, kerosene, glass cleaner, furniture polish, paint thinner or other household solvents to clean any part of the humidifier.
8. Each day the reservoirs and tanks should be drained, rinsed and refilled with fresh tap water.
9. To clean exterior surfaces, use a solution of water and mild detergent with a wrung-out damp cloth. Rinse and wring out the cloth and wipe the exterior surfaces again. Finally, wipe with a dry cloth. Allow sufficient time to dry before plugging the electrical cord into the outlet.

- After base is totally cleaned and dried, replace mineral absorption pad. Place steam dome on base by aligning its slots with tabs in base. (You may have to reposition steam dome to other set of tabs, because it will only fit one way.) Rotate steam dome clockwise until it locks. You may want to place scraper in slot in top of steam dome to store scraper when not in use. Place steam diffuser on base so that the slots in steam diffuser line up with tabs on the base. Rotate steam diffuser clockwise until it locks in place.
- Plug in the unit and resume normal use.

### CHANGING THE UV GERMICIDAL BULB

- If the "REPLACE UV BULB" indicator illuminates during normal use, it is time to change the UV germicidal bulb, which is a special 3.5W bulb.
- Turn the POWER switch to the "OFF" position, unplug it and allow it to cool.
- Remove the water tanks from the base of the humidifier. Remove steam diffuser and steam dome by rotating them counterclockwise and lift up.
- Place the base of the humidifier over the sink and tilt the unit to remove any remaining water.
- Carefully turn the base of the humidifier over and place it upside down on a flat level surface. You will see a door at front of unit that is closed with two Phillips head screws.
- Using a Phillips head screwdriver, carefully turn the screws counterclockwise until the screws separate from the door.
- Open the door, by pulling forward. The UV germicidal light bulb will be visible. Pull the door out the minimum amount to have access to unscrew bulb from socket.
- Take a replacement 3.5W UV germicidal bulb that you purchased from Slant/Fin Corporation or another supplier and change the bulb. To prolong the life of the bulb, limit your direct contact with the glass of the bulb by using a cloth or tissue to screw it into place.
- When the new bulb is in place, close the door and replace the screws by using your Phillips head screwdriver and rotating them clockwise until they are just tight. **DO NOT OVER TIGHTEN.**
- Turn the unit upright, place the water tanks on top of the base of the humidifier, plug the unit in, and turn the POWER switch to either the LO or HI position. The "REPLACE UV BULB" indicator should no longer be lit.



**IMPORTANT NOTE:** Even though you will not receive maximum germicidal effects, you can still use your GF-300 and GF-350 humidifier until the replacement bulb arrives.

### STORAGE TIPS

If you do not plan to use your humidifier for an extended period of time, such as during the summer months, it is important that you follow these instructions to help prevent problems from developing in the unit.

- Clean your humidifier as instructed in the section titled, "Cleaning and Maintenance".
- Make sure all water is emptied from the tanks and the hot and cold water reservoirs.
- Dry your unit thoroughly.
- Leave the tank caps off to expose the tanks to air.
- Pack your humidifier in its original carton and store it in a cool, dry place.

### SERVICE

DO NOT attempt to repair this humidifier yourself. For repairs covered under the warranty, contact Slant/Fin by telephone or mail for a Return Authorization Number. Have other repairs professionally performed.

### GLOW

It is normal to see the humidifier glow when operating in a darkened room. This glow results from the internal illumination of the 3.5 watt UV bulb. However, no ultraviolet light, even at this harmless level, passes through the UV-proof cabinet into the room.

### TROUBLESHOOTING

TROUBLE	POSSIBLE CAUSES	SOLUTION
Unit does not mist	Unit is not plugged in Power failure Water tanks empty Power switch not turned on Unit not reset after refilling tanks Water tank not properly located on base unit Humidity level set is achieved using distilled or treated water which does not contain enough ions	Plug in unit Check circuit breaker Remove and refill Turn on switch to LO or HI Reposition water tanks Reposition water tanks Turn Relative Humidity Control to higher setting Add "pinch" of table salt
Water leaks from unit	Drain cap, drain cap gasket, tank cap or tank cap gasket is missing or improperly positioned	Tighten cap. Replace or tank cap or reposition cap gasket.
Moist air output low	Mineral buildup in hot water reservoir	Clean unit as per instructions.
Refill/Clean indicator light on	Water level is below water level probes Water level probes are covered with film Mineral buildup in hot water reservoir	Refill water tanks and mount tanks on base Clean probes per cleaning instructions Clean unit per cleaning instructions

### LIMITED WARRANTY

### IMPORTANT NOTICE

PLEASE CLEAN THIS GERM-FREE HUMIDIFIER AT LEAST ONCE A WEEK BY FOLLOWING THE CLEANING INSTRUCTIONS IN THE OWNER'S MANUAL. FAILURE TO REGULARLY CLEAN THIS GERM-FREE HUMIDIFIER WILL RESULT IN A BUILDUP OF MINERAL DEPOSITS WHICH WILL CAUSE THE UNIT TO CEASE TO OPERATE. IF THE UNIT FAILS TO FUNCTION BECAUSE IT HAS NOT BEEN CLEANED, THIS WILL VOID THE WARRANTY.

To the original purchaser or gift recipient of this humidifier.

1. If your Slant/Fin humidifier fails in normal use because of a manufacturing defect within 90 days from the date of original purchase, Slant/Fin will repair the humidifier at no charge for parts, labor or shipment back to you (see instructions for returning unit below).
2. After the first 90 days, if a component part fails because of a manufacturing defect, Slant/Fin will repair or replace that component part up to 3 years from purchase date. There will be no charge for the component part or shipment back to you, but Slant/Fin reserves the right to charge for installation labor.
3. This warranty does not cover any product which in Slant/Fin's judgment has been (1) damaged as a result of accident, misuse or abuse (2) used for a purpose for which it was not designed, or (3) repaired or altered in any way that adversely affected its performance or reliability. This warranty does not cover scratches and wear of surfaces.
4. UV bulb replacement is a normal maintenance procedure and is therefore not covered under this warranty unless the bulb is found to be defective.
5. For repairs, return humidifier to address shown below with dated sales receipt. The cost of shipment to Slant/Fin must be paid by the consumer. Return to: Consumer Service Dept., Slant/Fin Corporation, 40 Garvies Point Road, Glen Cove, NY 11542. In Canada: Slant/Fin LTD/LTEE, 6450 Northam Drive, Mississauga, Ontario L4V 1H9.
6. This warranty gives you specific legal rights and you may also have other rights which vary from state to state.
7. Slant/Fin makes no express warranties other than the warranties contained herein. Slant/Fin's sole obligation in the event of a breach of any implied warranty (including, but not limited to, implied warranties of merchantability and fitness for a particular purpose) is limited to repair or replacement, and all such warranties are limited in duration to the time periods after the date of original purchase as stated above. The warranty does not cover claims for incidental or consequential damages resulting from a breach of any express or implied warranty or any other reason including damages due to accident, abuse, lack of responsible care, the affixing of any unauthorized attachment, loss of parts, or use at a voltage other than specified.

**CUSTOMER SERVICE #: 1-800-775-4552**

# Slant/Fin®

Humidificateur électrique portatif à atomisation de  
bruines tièdes Germ-Free<sup>MD</sup>, modèle GF-300 et GF-350



GF-350

Breveté

- Instructions sur le fonctionnement, l'entretien et le nettoyage
- Garantie limitée

**LIRE ET CONSERVER CES INSTRUCTIONS**