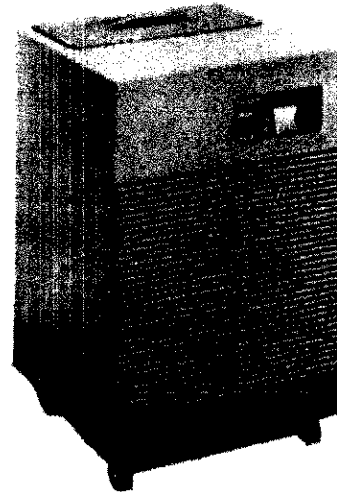


SAVE THIS MANUAL  
FOR FUTURE REFERENCE

**SEARS**  
OWNERS  
MANUAL

MODEL NO.  
635.83142

**FOR YOUR  
SAFETY:  
READ ALL  
INSTRUCTIONS  
CAREFULLY**



**Kenmore™**  
Air Cleaning System  
Compact Console  
Electronic Air Cleaner

**HELP LINE**

If you have any questions  
or comments on your Air Cleaning System  
after reading this manual, call:

**1-800-227-3917**

- Warranty Information
- Getting Started
- Cleaning and Care Tips
- Diagnostic Checklist
- Replacement Parts
- Special Tips

Sold by Sears, Roebuck and Co., Hoffman Estates, IL 60179 U.S.A.

## The Kenmore Warranty

If, within one year from the date of purchase, this air cleaner falls due to a defect in material or workmanship, Sears will repair or replace it, free of charge.

Warranty service is available by simply returning the air cleaner to the nearest Sears Service Center throughout the United States.

This warranty gives you specific legal rights and you may also have other rights which may vary from state to state.

This warranty DOES NOT cover the charcoal replacement filter.

Sears, Roebuck and Co. Department 817WA, Hoffman Estates, IL 60179

## Introduction

Congratulations!

You are the owner of a Kenmore Air Cleaning System-- one of the best air cleaners made to help improve the quality of the indoor air you breathe! Your air cleaning system is designed to help you enjoy breathing fresh air.

Your Kenmore Air Cleaner, Model #83142, is ideal for large size rooms (20' x 25') and has been manufactured for continuous operation. For best results, operate your air cleaner constantly on low speed.

Please take time to thoroughly read through your owner's manual. Your air cleaning system features a washable Electronic Filter - just wash, dry and reuse. The Charcoal After-Filter is the only filter you will need to replace - change approximately every 3 months or as needed. These filters are available at your local Sears Retail Stores - request Sears Stock #7317.

The outside of the air cleaner can be cleaned using a soft, clean, damp cloth. Never immerse the unit in water.

If you have any questions about the operation of your Kenmore Air Cleaning System, contact the Help Line at 1-800-227-3917.

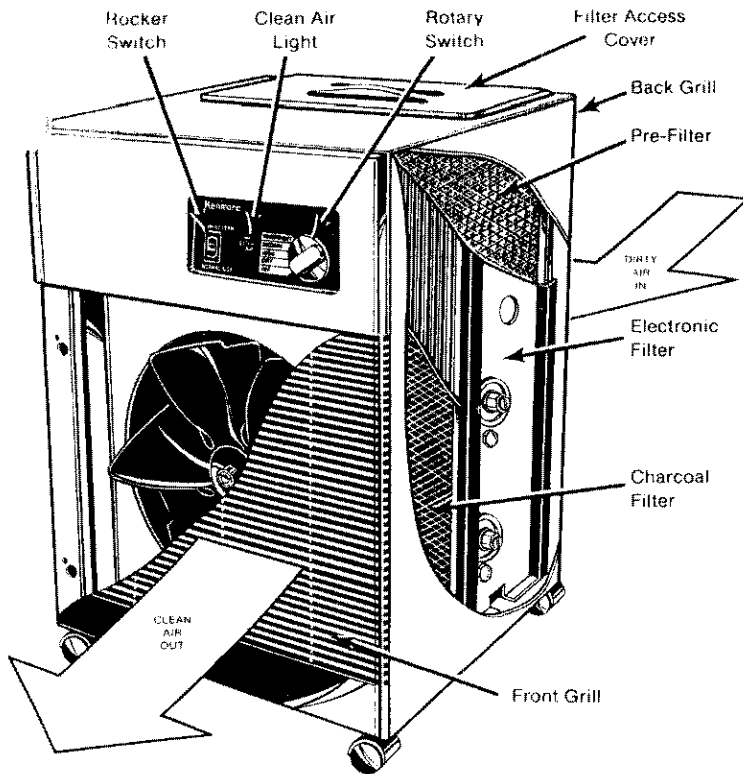
Trust the air you breathe to **Kenmore.**

## How the Air Cleaner Works

### Four Stages to Cleaner, Fresher Air

The air cleaner fan circulates room air through the unit's four different processing stages to help remove pollutants and household odors.

1. Large particles like hair and lint are trapped by the (washable) Pre-Filter.
2. Smaller particles - dust, smoke, pollen, etc. - pass through the (washable) Electronic Filter where they receive an electrical charge.
3. The charged particles are attracted to a series of alternately charged aluminum plates. These particles remain in the Electronic Filter until removed by washing.
4. As the final step in the process, air then passes through a Charcoal Filter that helps remove household odors.



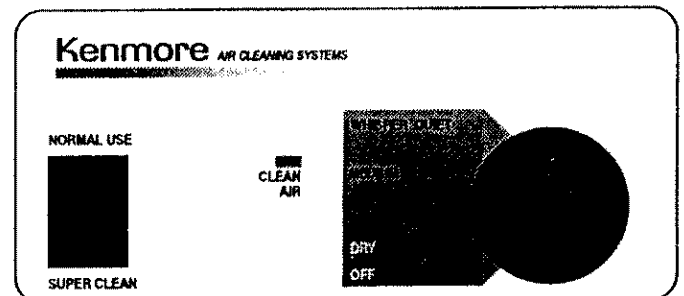
#### Safety Note:

Do not use this electronic air cleaner when oxygen is being used or when combustible gases are present.

## Getting Started

The air cleaner can be used in any room in the house or in any workspace. Be sure to place it so that air can freely circulate into the back grill and out through the front grill. The unit should never be placed on soft surfaces such as beds or sofas; near computers, radios or TV's; or near sources of heat (such as stove tops or ovens). If placing the back grill against the wall, allow at least 6-8 inches clearance.

Carefully remove the unit from the protective carton and the plastic bag covering the unit. Remove the Filter Access Cover. Using the filter handle, remove the Electronic Filter from the cabinet and remove the plastic bag covering the Charcoal Filter. Return the Charcoal Filter back in its original position in the Electronic Filter. Install the Electronic Filter in the air cleaner and replace the Filter Access Cover. Your air cleaner is now ready for operation. Plug it into a standard household electrical outlet. (For your convenience, there is a label on the bottom of the unit indicating electrical specifications and power consumption.)



## Operation

The operation of the unit is very simple. Turn it on by setting the rotary switch to the desired speed — *High*, *Medium*, or *Whisper Quiet*. (*Dry* is provided to assist in drying the filters after cleaning.) The *Clean Air* light (green) indicates that the filter is on and working properly.

At any of the three performance speeds (*High*, *Medium* or *Whisper Quiet*) you can get an extra power boost by moving the rocker switch on the control panel from the *Normal* to the *Super Clean* position. Although you won't hear a difference, the *Super Clean* position can be used to increase the cleaning efficiency of the unit.

The speed should be set on *High* for one minute before switching to the desired speed to initially start-up the unit.

## Cleaning and Care

Periodic cleaning of filters and components will keep your Kenmore Compact Electronic Air Cleaner running at peak performance. Maintenance is easy and all cleaning can be done using Zap-It! (available at Sears, Stock #8395) or common household cleaners. The following will explain everything you'll need to know.

There are three components that require attention — the Electronic Filter, the Pre-Filter and the Charcoal Filter.

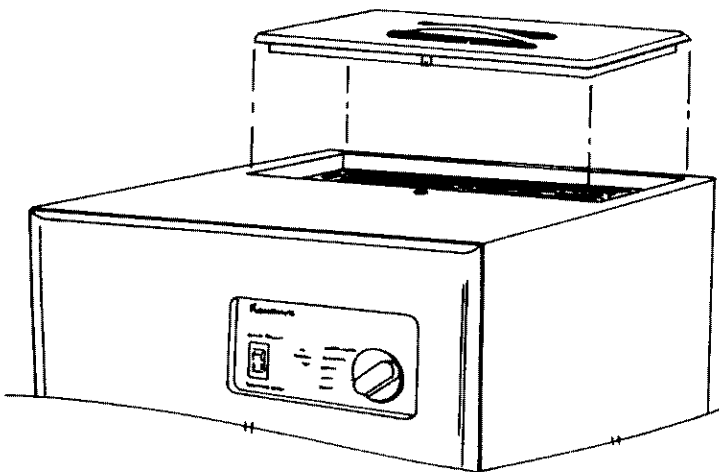
These components should be cleaned about once every one to two months of continuous use.

*Please note that the Charcoal Filter is not to be washed. However, it can be vacuumed during routine cleaning to remove lint and dirt build up. This filter will need to be replaced periodically for maximum effectiveness to help eliminate household odors.*

## Removing and Reinstalling the Filter Access Cover

In order to conduct routine maintenance you'll need to access the components inside the unit by lifting up and removing the Filter Access Cover.

After cleaning components inside the air cleaner, reinstall the Filter Access Cover. Because of a safety feature, the air cleaner will not operate if the Filter Access Cover is not replaced correctly.



Removing Filter Access Cover

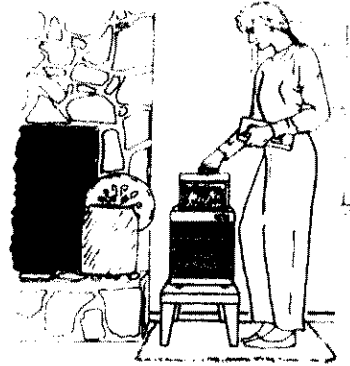
## Cleaning Instructions

If the air cleaner is in constant use, the Electronic Filter requires washing about once a month or once every other month to remove the particles collected from room air. If the unit snaps frequently during operation, this is an indication that the Electronic Filter needs to be cleaned.

### Washing the Electronic Filter

#### Removing the Electronic Filter

Remove the Filter Access Cover and lift the filter out of the cabinet using the handle on the top of the filter.



Before cleaning the Electronic Filter, both the Pre-Filter and the Charcoal Filter need to be removed.

- Slide the Pre-Filter upward from the front of the Electronic Filter
- Slide the Charcoal Filter upward from the back of the Electronic Filter

The Electronic Filter is designed so that it can be cleaned using Zap-It! or common household detergents. Using dish washing detergent and hot water, make a good soaking solution. Completely immerse the Electronic Filter and soak for 20 to 30 minutes. After the Electronic Filter has soaked sufficiently, it should be gently agitated in the water until clean. If the Electronic Filter is extremely dirty, spray it with Zap-It, a cleaning solution made specifically for this air cleaner. (You can also use a common household cleaner.) Let the filter soak for five minutes then proceed with the washing instructions.

Thoroughly rinse both sides of the Electronic Filter. If a sprayer is available, spray with water. Check to make sure each layer of the Electronic Filter is clean. Shake as much water out of the Electronic Filter as possible. Wipe along the ionizing wires carefully with a cotton swab and alcohol.

After reinstalling the Electronic Filter, operate the unit in the Dry position for one hour to ensure that it is thoroughly dry. Failure to do so could cause permanent damage to Electronic Filter.

### The Pre-Filter

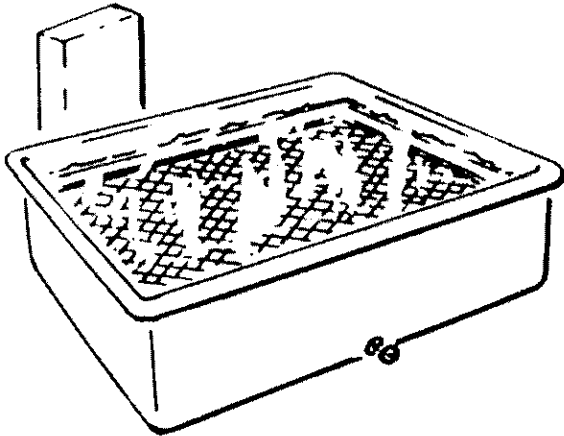
The Pre-Filter is located in the front of the Electronic Filter. To clean it, slide it out and rinse thoroughly with clean warm water. Set it aside to dry.

### The Charcoal Filter

Although the Charcoal Filter is an optional replacement filter, we recommend its use for the operation of your air cleaner to help maintain efficiency.

During normal use, lint and dirt may build up on the Charcoal Filter and can be removed with a vacuum cleaner using a brush attachment.

The effectiveness of this Charcoal Filter will gradually diminish over time. If your unit is used continuously, it should be replaced every three months. Replacement filters are available at Sears retail stores #7317.



### Washing Tips:

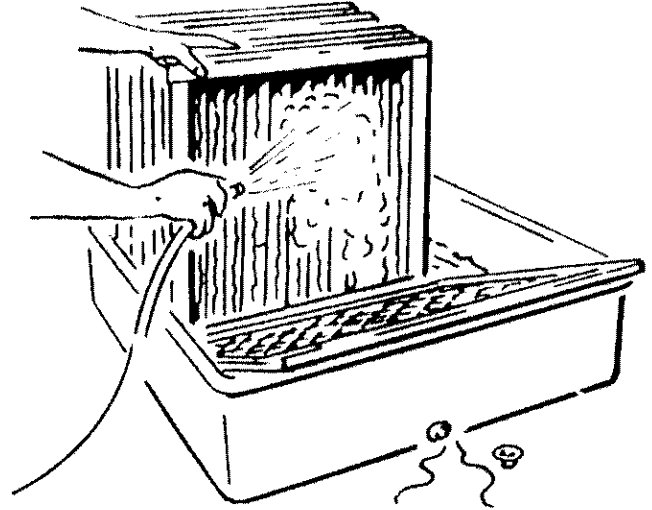
When handling the Electronic Filter, be careful not to damage wires or metal plates since this could cause excessive snapping.

After the first cleaning, the metal surface of the Electronic Filter may not be as shiny as before. This is normal and does not reduce effectiveness.

### Reinstalling the Electronic Filter

First, slide the Pre-Filter into the slots in the front of the Electronic Filter and slide the Charcoal Filter into the slots provided in the back. Using the handle, slide the Electronic Filter inside the cabinet wall.

*Note: The Pre-Filter will face the outer wall.*



## Diagnostic Checklist

Should you ever have any questions or concerns about the operation of your Kenmore Air Cleaning System, you may want to check this chart first. If the problem persists, call our Help Line.

Condition	Checkpoints
Unit won't come on	Make sure that the power cord is plugged in
	Set the Rotary Switch to the desired speed
	Make sure the Filter Access Cover is properly installed
	Make sure Electronic Filter is properly installed
Unit does not operate at Whisper Quiet Speed	Run on High for one minute then reset to Whisper Quiet Speed
Unit does not remove pollutants	Wash Electronic Filter
	Remove plastic bag from Charcoal Filter
Unit snaps (sparks, crackles, pops)	Wash the Electronic Filter and make sure that it is thoroughly dry
	Make sure ionizing wires in Electronic Filter are not broken
	Check for bent plates in Electronic Filter - straighten if possible
	Check for large particles such as hair or lint on ionizing wires. Remove if possible
Interference with Radio and TV	Move unit to a different location away from TV or Radio. Do not operate unit on the same electrical outlet as TV or Radio
	Clean Electronic Filter if dirty
Unit does not operate properly	Call Help Line/ Have unit serviced

## QUESTIONS & ANSWERS

**How can I get the most out of my air cleaner?**

For peak efficiency in maintaining air quality, we recommend that the unit be run continuously at least at its lowest speed. The daily operating cost of an electronic air cleaner running at the lowest speed is about the same as for a single 60 watt light bulb. Just pennies a day.

When you use the air cleaner, you'll want to have your windows closed for maximum efficiency.

**My air cleaner makes a snapping sound. . .**

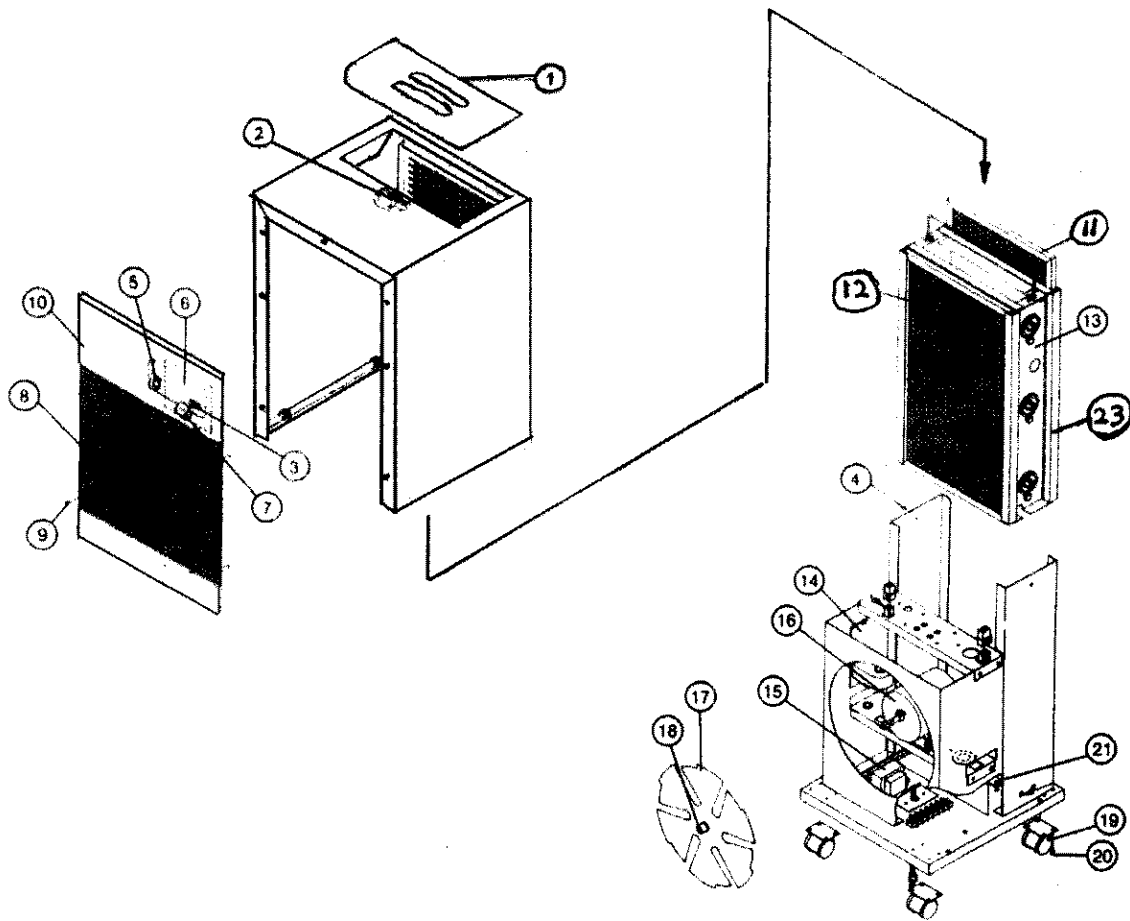
You may notice an occasional snapping sound coming from your unit. This is a normal occurrence. It happens when large particles are charged in the Electronic Filter. Prolonged or continuous arcing is an indication that the filter should be cleaned or that the filter has been damaged. High humidity may also activate arcing. During those times when humidity is excessive, operate your air cleaner in the Dry speed until the Electronic Filter is completely dry.

**Sometimes I notice an unfamiliar smell when I turn the unit on.**

Some owners may notice a "new smell" (like outdoors after an electrical storm) during the first few weeks of operation. This is not unusual during the break-in period. This unit emits very low levels of ozone; less than a typical electrical appliance in your home like a television.

**Is the Charcoal Filter necessary for the unit to work?**

Although the Charcoal Filter is optional and not required for your air cleaner to function, we do recommend its use to help reduce household odors.



## Replacement Parts

Use the model number when requesting service or replacement parts. You'll find it on the name plate attached to the bottom of the unit. Always order by Part Number, not Key Number.

Key Number	Description	Part Number
1	Filter Access Cover	445826-001
2	Safety Interlock Switch	242404-002
3	Control Switch (5 position)	142581-001
4	Screw, Phillip-Pan Machine #6 x 1/4" (2 required)	137790-001
5	Power Boost Switch	145820-002
6	Control Label	346053-001
7	Rotary Switch Knob	242235-002
8	Front Grill	442839-005
9	Screw, Phillip Sheet Metal #4 x 1/2" (4 required)	143754-002
10	Grill Top	445825-001
11	Pre-Filter	123324-003
12	Charcoal Filter	<b>243694-002</b>
13	Electronic Filter	422167-005
14	Power Supply Assembly	342402-153
15	Step-Down Transformer	242331-006
16	Motor	246047-001
17	Fan Blade (order Key# 18 also)	346010-001
18	Screw, Phillip Sheet Metal #8 x 1/2"	135738-203
19	Caster (4 required)	245998-001
20	Screw, Phillip Hi-Lo #8-18 x 3/8" (4/caster required)	222879-001
21	HV Contact Assembly	242986-002
22	Owner's Manual (not shown)	146070-001
<b>23</b>	<b>Guide Rail</b>	<b>142865-001</b>

## Tips from the Kenmore Air Cleaning Specialists

### Allergens

As many as one in every six people suffer from allergies, with some of the most common — hay fever, asthma and allergic rhinitis — affecting the respiratory system. Typical allergens are pollen from flowers, grass and trees; household dust and dust mites; spores from mold and mildew. The Kenmore Air Cleaner can be helpful in filtering out allergens especially during peak seasons for discomfort.

### Tobacco Smoke

The Kenmore Air Cleaner can help alleviate the discomfort of breathing second-hand smoke in your home or office. The unit filters visible and microscopic smoke particles and ash particles that can irritate both nonsmokers and smokers.

### Pet Dander

Across the USA, there are millions of cats and dogs in our homes. Although we love our pets, hair and dander can cause problems and be a nuisance to people. The Kenmore Air Cleaner can help remove these substances from the air.

### Viruses/Bacteria

The Kenmore Air Cleaner helps reduce room air of viruses and bacteria that can spread germs throughout your home or workspace.

## Technical Specifications

<b>Dimensions:</b>	12" L x 12"W x 19.5"H
<b>Weight:</b>	38 lbs
<b>CFM:</b>	By settings
	<i>High</i> 200
	<i>Medium</i> 165
	<i>Whisper Quiet</i> 80
<b>Input Voltage:</b>	120V, 60 Hz
<b>Power Consumption:</b>	120 Watts on <i>High</i> Setting
<b>Model No:</b>	635.83142

**Sears Roebuck and Co.**  
**3333 Beverly Road**  
**Hoffman Estates, IL 60179**  
**The Help Line: 1/800/227-3917**