



Living innovation

Instruction Manual
Coffee Maker

Mode D'emploi
Mélangeur

Manual de instrucciones
Licuadaora

Manuale di istruzioni
Frullatore



DCM485 Series / Série

Register this product on-line and receive a free trial issue of Cook's Illustrated. Visit www.prodregister.com/delonghi.

Enregistrez ce produit en ligne et recevez un numéro gratuit de Cook's Illustrated. Visitez www.prodregister.com/delonghi.

Registre este producto en línea y reciba un ejemplar gratis de Cook's Illustrated. Visite www.prodregister.com/delonghi.

Registra questo prodotto "on-line" per riceuere una copia omaggio délla rivista. Visita www.prodregister.com/delonghi.

Visit www.delonghi.com for a list of service centers near you. (U.S. Only)

Visitez www.delonghi.com pour y voir une liste des centres de réparation proches de chez vous. (É.-U. uniquement)

Visite www.delonghi.com para ver la lista de centros de servicios cercanos a usted. (Solamente en los Estados Unidos)

Visita www.delonghi.com per una lisa dei centri di servizio a te piu vicini. (Solo negli Stati Uniti)

Read and Save These Instructions - Lisez et conservez ces instructions
Guardar estas instrucciones después de haberlas leído - Leggete e conservate queste istruzioni

IMPORTANT SAFEGUARDS

When using electrical appliances, basic safety precautions should always be followed to reduce the risk of fire, electrical shock and/or personal injury.

1. Read all instructions carefully.
2. Do not touch hot surfaces. Use the handle on the carafe.
3. To protect against electrical shock, do not place cord, plug or coffee maker in water or other liquid.
4. Close supervision is necessary when any appliance is used by or near children.
5. Unplug from outlet when not in use and before cleaning. Allow to cool before putting on or taking off parts, and before cleaning the appliance.
6. Do not operate any appliance with a damaged cord or plug or after the appliance malfunctions or has been damaged in any manner. Return appliance to authorized service facility for examination, repair or adjustment.
7. The use of accessory attachments is not recommended by the manufacturer. It may be dangerous and should be avoided.
8. Do not use outdoors.
9. Do not let cord hang over edge of table or counter, or touch hot surfaces.
10. Do not place on or near hot gas or electric burner, or in heated oven.
11. Always plug cord into the wall outlet before turning on any controls. To disconnect turn power OFF, then remove plug from wall outlet.
12. Always use cold water to make coffee. Warm water or other liquids could cause damage to the coffee maker.
13. Scalding may occur if the cover is lifted or removed during the brewing cycle.
14. Do not use this appliance for other than intended use.
15. Do not set a hot carafe on a wet or cold surface.
16. Do not place hot carafe on or near paper, cloth or other flammable material.
17. Never use the carafe on a range top or in a microwave oven.
18. Do not allow liquid to evaporate from carafe. Do not heat carafe when empty.
19. Do not move entire unit when carafe contains hot liquid.
20. Use the lid on the carafe while brewing and pouring coffee.
21. Discard carafe if damaged in any manner, or a carafe having a loose or weakened handle. A chip or crack could result in breakage or contaminate liquid contents with glass particles.
22. Do not clean carafe with scouring powders, steel wool pads or other abrasive materials.
23. This carafe is designed for use with this coffee maker only.

IMPORTANT SAFEGUARDS (continued)

24. **WARNING:** To reduce the risk of fire or electrical shock, do not remove the bottom cover. No user serviceable parts inside. Repairs should be performed by authorized service personnel only.
CAUTION: Do not immerse in any liquid.
25. **CAUTION:** Do not lift the water tank lid during operation, could cause severe burns. Always lift the lid by the opening lip and when the unit is turned off.
26. Do not touch hot parts, including the cup storage area.

FOR HOUSEHOLD USE ONLY

SAVE THESE INSTRUCTIONS

SHORT CORD INSTRUCTIONS

A short power cord is provided to reduce the risk resulting from entanglement or tripping over a longer cord. Longer detachable power supply cords are available and may be used if care is exercised in their use. If a longer detachable power cord or extension cord is used (1) the marked electrical rating of the extension cord should be at least as great as the electrical rating of the appliance, and (2) the longer cord should be arranged so that it will not drape over the countertop or table top where it can be pulled on by children or tripped over unintentionally. The electrical rating of the appliance is listed on the bottom of the unit. If the appliance is of the grounded type, the extension cord should be a grounded type 3 wire cord. This appliance has a polarized plug. One blade is wider than the other. To reduce the risk of electrical shock this plug will fit in a polarized plug only one way. If the plug does not fit, contact a qualified electrician. Do not attempt to modify the plug in any way.

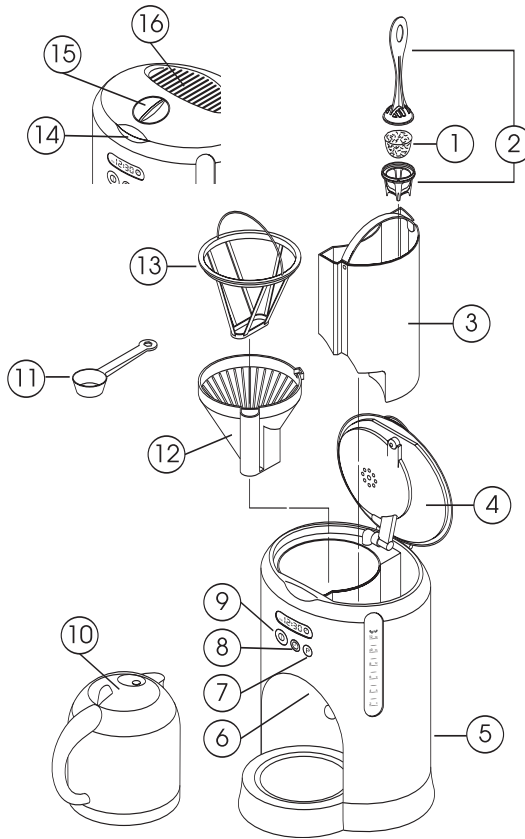
BEFORE FIRST USE

Place the box on a large, sturdy flat surface. Carefully unpack your coffee maker and remove all packaging material and literature. Remove any labels or stickers from the coffee maker. To remove any dust that may have accumulated during packaging, you may wipe the unit with a clean, damp cloth. Dry thoroughly. Do not immerse the coffee maker in water or other liquid. Clean the carafe, carafe lid, filter basket and filter in warm water with mild detergent. Rinse and dry thoroughly. Do not use harsh or abrasive cleaners. (See "Cleaning Your Coffee Maker" section of this manual for detailed instructions.) Keep all plastic bags away from children.

NOTE: We recommend that prior to brewing your first pot of coffee, operate the coffee maker once or twice with water only, without ground coffee. This will remove any dust that may have settled inside the coffee maker, which may affect the flavor of the coffee. **IMPORTANT:** Use cold water only. The automatic drip system works best with cold water.

KNOW YOUR COFFEE MAKER

FIGURE 1



- | | |
|--------------------------------------|---------------------------------------|
| 1. WATER FILTER | 9. ON/OFF BUTTON WITH INDICATOR LIGHT |
| 2. WATER FILTER HOLDER | 10. THERMAL CARAFE WITH LID |
| 3. REMOVABLE WATER TANK | 11. MEASURING SCOOP |
| 4. LID | 12. REMOVABLE FILTER BASKET |
| 5. CORD STORAGE | 13. PERMANENT COFFEE FILTER |
| 6. ANTI-DRIP DEVICE (PAUSE 'N SERVE) | 14. LID OPENING LIP |
| 7. PROGRAM BUTTON | 15. ACCUFLAVOR SELECTOR DIAL |
| 8. CLOCK/TIMER BUTTON | 16. CUP STORAGE TRAY |

KNOW YOUR COFFEE MAKER (continued)

FEATURES:

1. **PAUSE 'N SERVE:** Allows you to interrupt the brewing cycle and pour a cup of coffee before the entire carafe is finished brewing. To restart the brewing process, return the carafe to warming plate and coffee will automatically begin flowing through filter basket. Make sure carafe is placed all the way on the plate.
CAUTION: Do not remove carafe for longer than 30 seconds or the filter basket will overflow.
2. **CLOCK / TIMER DIGITAL DISPLAY:** The 24-hour digital clock, built into the control panel of the coffee maker, will keep the correct time even after the unit has been shut off. Timer can be programmed up to 24 hours in advance to automatically begin flowing through the filter basket. **Make sure carafe is placed all the way on the base.**
3. **WATER LEVEL INDICATOR:** Large easy-to-read numbers indicate how many cups of water have been poured into the coffee maker.
4. **ACCUFLAVOR SELECTOR DIAL:** Lets you choose the strength of coffee just the way you like it.
5. **DOUBLE-WALL THERMAL CARAFE:** Uniquely designed carafe retains heat, keeping coffee hot for hours. It also helps to preserve that fresh coffee taste.
6. **REMOVABLE WATER TANK:** Allows for convenient filling and easy cleaning.
7. **CUP STORAGE TRAY:** For warm, ready-to-use cups.
8. **PERMANENT GOLD-TONE FILTER:** Specially designed to keep even the finest grounds out of your coffee. And because it's more durable than most filters, it lasts longer.
9. **ADVANCED WATER FILTRATION:** Optimizes the taste of your coffee by eliminating off-flavors caused by chlorine.
10. **CORD STORAGE:** Keeps power cord out of harm's way when coffee maker is not in use.

KNOW YOUR COFFEE MAKER (continued)

UNDERSTANDING THE CONTROL PANEL:

1. **CLOCK / TIMER DIGITAL DISPLAY:** Displays the clock and timer settings. See "How to Set the Clock" section of this manual for programming the time.
2. **PROGRAM (P) BUTTON:** This button allows you to program the coffee maker up to 24 hours before the desired brewing time. See the section on "Program Automatic Brew" for details on activating the timer function.
3. **CLOCK/TIMER BUTTON:** This button advances the minutes for the clock and timer. See the section on "How to Set the Clock".
4. **ON/OFF BUTTON:** Activates the ON / OFF (power).

HOW TO SET THE CLOCK

NOTE: This coffee maker can be set for a 12 hour clock (AM/PM time) or a 24 hour clock (Military time). If required, press the program button once to change.

1. Plug in the coffee maker. The backlight will illuminate and the display will flash.
2. The number on the digital display will flash until the time is set. Use the AM / PM indicator on the left side of the digital display when setting the time. **NOTE:** Unplugging the unit will reset the clock to 12:00.
3. Select the correct time of day by pressing the CLOCK button once. The time will advance by 1 minute. Press and hold down the button and the time will advance in 15-minute intervals.
4. To set the clock, press the ON/OFF button or wait 1 minute for it to automatically set. **NOTE:** To re-adjust the clock at any time, press and hold the CLOCK button for 5 seconds and adjust the clock as above. **NOTE:** The backlight of the display will automatically turn off after 1 minute.

PROGRAM AUTOMATIC BREW (TIMER FUNCTION)

1. Set the clock to the correct time (See "How to Set Clock" section of the manual).

PROGRAM AUTOMATIC BREW (TIMER FUNCTION) (continued)

3. Press the CLOCK button until the desired brewing time is displayed (See "How to Set the Clock" section of the manual).
4. Press the ON/OFF button to confirm the automatic time selected.
NOTE: The display panel and the on/off indicator light will flash.
5. Press the PROGRAM button to return to the current time of day (the ON/OFF button will continue to flash.) The brewing cycle will begin once the set time is reached and the ON/OFF button stops flashing.
6. If you want to check the automatic time selected, press the PROGRAM button.
7. To override the automatic brew function, press the ON/OFF button and the coffee maker will start immediately. Press the ON/OFF button again to switch the coffee maker off.

OPERATING YOUR COFFEE MAKER

PREPARING COFFEE MAKER FOR BREWING COFFEE:

1. Place the coffee maker on a flat, level surface away from any edge.
2. Plug the unit into a 120V / 60Hz only outlet.
3. The lid of the carafe must be fitted properly during the brewing process. And the carafe must be set on the base.
4. **CAUTION:** The lid of the coffee maker must be completely closed during operation.

FILLING THE WATER RESERVOIR AND USING THE WATER FILTER:

5. Open the lid located at the top of the coffee maker. Lift out the water tank.
6. Separate the water filter holder by pulling the water filter holder apart. Place the water filter inside the water filter holder. Fit the water filter holder back together.
7. Turn the handle on the water filter holder and align the arrow on the base with the letter for the current month (Ex. F for February).
8. Lower the water filter holder into the water tank and place it into position at the base of the water tank.
9. Fill the tank with the desired amount of cold water. The water level must be between the top and bottom cup marks. **NOTE:** Do not fill above the MAX level. Alternatively, the water tank can be filled when inside the coffee maker, but take care not to spill. Fill the carafe with the desired amount of water and carefully pour into water tank.
10. Replace the water tank back into the coffee maker. The water level indicator lets you know much water is in the water reservoir.

OPERATING YOUR COFFEE MAKER (continued)

NOTE: The amount of brewed coffee after the brewing process is complete will always be slightly less than the amount of water placed in the coffee maker's water tank, since some water is absorbed by the coffee grounds and filter. Add a little extra water at the beginning so that you have the exact number of cups desired.

PREPARING THE COFFEE:

1. Lift out removable filter basket. The permanent filter (included) may be used instead of or in addition to a paper filter (not included). If using paper filters, insert a #4 cone-shaped filter into the filter basket before filling with coffee. Fill the filter with the required amount of coffee.
2. Place the desired amount of ground coffee in the filter. According to coffee industry standards, use one standard coffee measure (2 level tablespoons) of grounds for each six ounces of water. After using your coffee maker several times, the amount of coffee may be adjusted to suit your particular taste by decreasing or increasing the amount of coffee used.
NOTE: Be sure to use coffee grounds prepared specifically for use with automatic drip coffee makers.
3. Return the filter basket to the inside of the coffee maker. Be sure the filter basket is seated properly inside the coffee maker. Close the lid on top of the coffee maker. **CAUTION:** Do not operate your coffee maker if the lid does not close completely. If the lid does not close completely, check to see that the filter basket is properly sealed, and snap into place.
4. Adjust the ACCUFLAVOR dial as desired to change the strength of your coffee. Turn the control to the left for light coffee and to the right for dark (or strong) coffee.
5. Screw the lid onto the thermal carafe until it locks into place (notch on top of lid should be aligned with handle). Place the carafe on the base. For brewing the lid should be completely closed.
6. Plug the unit into an outlet and press the ON/OFF button.
7. Press the ON/OFF button twice to begin brewing immediately. The ON/OFF button will illuminate and the coffee maker will start the brewing process.

OPERATING YOUR COFFEE MAKER (continued)

Using the Automatic Brew Function:

8. If you wish to use the Automatic Brew function, first follow all of the directions under the "Program Automatic Brew" section of this manual. Then follow all of the directions under "Operating Your Coffee Maker" up until #6 in the "Preparing the Coffee" section of this manual.
9. In a few minutes the coffee maker will complete the brewing cycle and automatically shut off. The digital display will illuminate and then automatically switch off after 10 minutes. **NOTE:** To terminate the brewing process at any time, press the ON/OFF button. The digital display will illuminate for one minute and then turn off automatically.
10. **NOTE:** If you would like a cup of coffee before the full pot is brewed, the Pause 'N Serve feature allows you to interrupt the brewing process. The brewing process does not stop during this period; only the flow of coffee from the basket. Do not remove the carafe for longer than 30 seconds or the coffee may overflow from the basket stops. While we offer this feature, we do not recommend you pour the coffee before the cycle has reached completion, since the coffee brewed at the beginning of the cycle has a flavor which is very different from the flavor at the end of the cycle. Removing a cup during the brewing cycle will alter the flavor of the finished pot.
11. To pour coffee after brewing is complete, unscrew the lid 180 degrees so that the notch on the lid is in line with the pouring spout. Once the desired amount of coffee has been poured, screw the lid back on to retain the coffee temperature. The thermal carafe will keep coffee hot after brewing is complete.
12. Press the ON/OFF button to turn the unit OFF when the carafe is empty or when the coffee maker is not in use. After brewing cycle is complete, discard the grounds and rinse the permanent filter and filter basket thoroughly with water. (See "Cleaning Your Coffee Maker" section of this manual for more details).
13. **NOTE:** If you have used the coffee maker in awhile, run one cycle with water only (without coffee) to clean it out. Fill the water tank to the top cup when you perform this procedure. **CAUTION:** Never put the carafe in the microwave.

OPERATING YOUR COFFEE MAKER (continued)

HINTS FOR GREAT TASTING COFFEE

1. A clean coffee maker is essential for making great tasting coffee. Regular cleaning is recommended, as specified in the "Cleaning Your Coffee Maker" section of this manual.
2. Always use fresh, cold water in your coffee maker.
3. Fine grind coffee promotes fuller extraction and provides rich, full-tasting coffee. Regular grind will require slightly more coffee grounds per cup to provide the strength of a finer grind.
4. Store coffee grounds in a cool, dry place. Once coffee has been opened, keep it tightly sealed in refrigerator to maintain freshness.
5. For optimum coffee, buy whole beans and grind them just before brewing.
6. Do not reuse coffee grounds since this will lessen coffee flavor.
7. Reheating coffee is not recommended. Coffee is at its peak flavor immediately after brewing.
8. Small oil droplets on the surface of brewed black coffee are due to the extraction of oil from the coffee grounds. Oiliness may occur more frequently if heavily roasted coffee is used. Over-extraction may also cause oiliness, indicating a need to clean your coffee maker.

DECALCIFICATION INDICATOR



1. After approximately 100 brew cycles the coffee maker will automatically indicate when it needs to be cleaned. A series of solid lines will gradually appear on the digital display. When 4 lines appear in the display and flash, this indicates that it is time to manually clean the machine.
2. To decalcify the machine follow directions 8 and 9 under the "Cleaning Your Coffee Maker" section of this manual.
3. To reset the machine, press the CLOCK and PROGRAM buttons simultaneously for 2 seconds.

CLEANING YOUR COFFEE MAKER

1. **CAUTION:** Make sure your coffee maker is unplugged before attempting to clean. To protect against electric shock, do not immerse cord, plug or unit in water or other liquid.
2. The outside of your coffee maker can be cleaned by wiping the surface with a damp, soft cloth. **CAUTION:** Never immerse the coffee maker in water or other liquid.
3. Clean inside of coffee maker with a damp cloth and mild detergent. Do not use harsh abrasives or scouring pads on carafe, it will scratch the surface.
4. Carafe lid, removable filter basket and water filter holder may be washed with warm, soapy water. Rinse and dry thoroughly. Do not place any parts of the coffee maker in the dishwasher.
5. To clean the permanent filter, empty the grounds and rinse thoroughly.
6. Do not clean the inside of the water reservoir with a cloth as the cloth may have a lint residue that could clog the coffee maker.
7. For stubborn stains, use a nylon or plastic pad with a non-abrasive cleanser (inside of coffee maker only). Do not use metal scouring pads or abrasive cleansers.

Decalcification

8. Calcium deposits may build up in the coffee maker as a result of minerals commonly found in drinking water. The build-up is normal and may result in a slow down of the coffee maker's brewing time. The slow down can be eliminated by periodically decalcifying the coffee maker. **NOTE:** Always remove the water filter and water filter holder before decalcifying.
9. To decalcify, fill the carafe with cold water and two tablespoons of white vinegar. Pour the solution into the water reservoir, and then close the lid. Place the carafe on the plate and allow the coffee maker to brew the vinegar solution. While decalcifying, do not use a filter in the filter basket. When the vinegar solution has finished brewing, empty the carafe and rinse it out with cold water. Refill the water reservoir with cold water only and run another brew cycle to remove any remaining vinegar solution. Repeat if necessary.

Water Filter

10. Change and discard the water filter after 70 brewing operations or within a calendar month (which ever is sooner).

PRÉCAUTIONS IMPORTANTES

Lorsque vous utilisez des appareils électriques, vous devriez toujours respecter des précautions élémentaires pour réduire les risques d'incendie, d'électrocution ou de blessures.

1. Lisez toutes les instructions.
2. Ne touchez pas les surfaces chaudes. Utilisez la poignée de la verseuse.
3. Pour vous protéger des risques d'électrocution, ne plongez pas le cordon, la fiche ou la cafetière dans l'eau ou dans un autre liquide.
4. Une surveillance attentive est nécessaire lorsqu'un appareil est utilisé en présence d'enfants.
5. Débranchez l'appareil de la prise électrique lorsqu'il n'est pas utilisé ou avant de le nettoyer. Laissez-le refroidir avant d'y replacer ou d'en retirer des pièces et avant de le nettoyer.
6. N'utilisez aucun appareil, dont la fiche ou le cordon électrique est abîmé, dont le fonctionnement est anormal ou qui a été endommagé d'une manière quelconque. Retournez l'appareil à un centre de réparation agréé pour le faire examiner, réparer ou régler.
7. L'utilisation d'accessoires n'est pas recommandée par le fabricant. Cela pourrait être dangereux et devrait être évité.
8. Ne l'utilisez pas à l'extérieur.
9. Ne laissez pas le cordon électrique pendre sur le côté d'une table ou d'un comptoir et ne le laissez pas toucher des surfaces chaudes.
10. Ne la placez pas à proximité d'un brûleur électrique ou à gaz chaud ou dans un four chaud.
11. Branchez toujours le cordon électrique à une prise murale avant de l'allumer. Pour le débrancher, ÉTEIGNEZ la bouilloire, puis retirez la fiche du cordon de la prise murale.
12. Utilisez toujours de l'eau froide pour préparer du café. L'eau chaude ou d'autres liquides pourraient endommager la cafetière.
13. Vous risquez de vous ébouillanter si le couvercle est soulevé ou retiré pendant le cycle d'infusion.
14. N'utilisez pas cet appareil à des fins autres que celles prévues.
15. Ne placez pas la verseuse chaude sur une surface mouillée ou froide.
16. Ne placez pas la verseuse chaude à proximité ou sur du papier, du tissu ou d'autres matériaux combustibles.
17. N'utilisez jamais la bouilloire sur une cuisinière ou dans un four à micro-ondes.
18. Ne permettez pas au liquide dans la verseuse de s'évaporer complètement. Ne faites pas chauffer la verseuse lorsqu'elle est vide.
19. Ne déplacez pas l'appareil entier lorsque la verseuse contient un liquide chaud.
20. Laissez le couvercle sur la verseuse lorsque vous préparez le café et lorsque vous le versez.
21. Jetez la verseuse si elle est endommagée ou si sa poignée est lâche ou abîmée. Une verseuse ébréchée ou fissurée pourrait se casser ou contaminer le contenu liquide avec des morceaux de verre.

PRÉCAUTIONS IMPORTANTES (suite)

22. Ne nettoyez pas la verseuse avec des poudres à récurer, des tampons en laine d'acier ou d'autres matériaux abrasifs.

23. La verseuse est conçue pour être utilisée uniquement avec cette cafetière.

24. **MISE EN GARDE** : Pour réduire les risques d'incendie ou d'électrocution, ne retirez pas le couvercle de la base. Il n'y a aucune pièce réparable par l'utilisateur à l'intérieur. Les réparations devraient être effectuées uniquement par un personnel qualifié agréé. **ATTENTION** : Ne la plongez pas dans un liquide.

25. **ATTENTION** : Ne soulevez pas le couvercle du réservoir d'eau pendant l'utilisation, vous pourriez vous brûler gravement. Soulevez toujours le couvercle en utilisant la languette d'ouverture et quand l'appareil est éteint.

26. Ne touchez pas les pièces chaudes, y compris la zone de rangement des tasses.

USAGE DOMESTIQUE UNIQUEMENT Conservez Ces Instructions

INSTRUCTIONS SPÉCIALES POUR LE CORDON ÉLECTRIQUE

Le cordon électrique est court pour réduire les risques d'entortillement et de trébuchement associés à un cordon électrique plus long. Un prolongateur peut être utilisé s'il est utilisé avec soin. Cependant, en cas d'utilisation d'un prolongateur, son régime électrique devrait être au moins aussi grand que celui de l'appareil. Le prolongateur devrait être disposé afin qu'il ne pende pas du comptoir ou de la table là où il pourrait être tiré par des enfants ou faire trébucher quelqu'un par accident. Le régime électrique de la cafetière est inscrit sur le panneau inférieur de l'appareil.

Cet appareil possède une fiche polarisée (une branche est plus large que l'autre). À titre de sécurité, cette fiche ne peut être insérée que d'une seule façon dans une prise murale. Si elle ne s'insère complètement dans un sens ou dans l'autre, contactez un électricien qualifié pour faire remplacer la prise obsolète. N'essayez en aucun cas d'en modifier les branches.

AVANT LA PREMIÈRE UTILISATION

Placez la boîte sur une grande surface solide et horizontale. Déballez soigneusement votre cafetière et retirez-en tous les matériaux d'emballage et toute la documentation. Retirez toutes les étiquettes et tous les autocollants de la cafetière. Pour retirer la poussière qui a pu s'accumuler pendant l'emballage, vous pouvez essuyer l'appareil avec un chiffon propre et humide. Séchez-le bien. Ne plongez pas la cafetière dans l'eau ou dans un autre liquide. Nettoyez la verseuse, le couvercle de la verseuse, le panier à filtre et le filtre à l'eau tiède avec un détergent doux. Rincez bien et séchez bien. N'utilisez pas de produits de nettoyage rêches ou abrasifs. (Consultez la section « Nettoyage de la cafetière » dans ce manuel pour des instructions plus détaillées.)

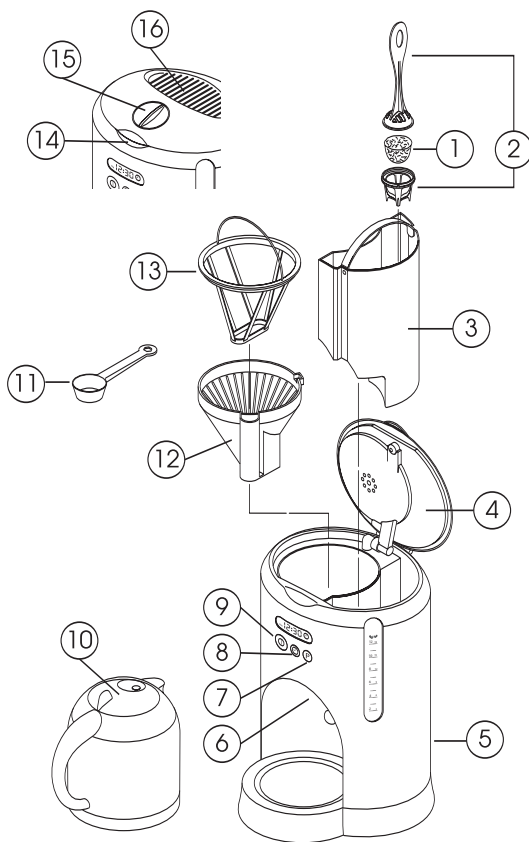
Gardez tous les sacs en plastique hors de portée des enfants.

REMARQUE : Avant de préparer votre première tasse de café, nous vous recommandons de faire fonctionner votre cafetière une ou deux fois en utilisant uniquement de l'eau, sans café moulu. Cela éliminera toute la poussière qui aurait pu s'accumuler dans la cafetière.

IMPORTANT : Utilisez uniquement de l'eau froide. Le système de perfusion automatique fonctionne mieux avec de l'eau froide.

VOTRE CAFETIÈRE

FIGURE 1



1. FILTRE À EAU
2. PORTE-FILTRE À EAU
3. RÉSERVOIR D'EAU AMOVIBLE
4. COUVERCLE
5. RANGEMENT DU CORDON
6. DISPOSITIF ANTIGOUTTES (PAUSE ET SERVIR)
7. BOUTON DE PROGRAMMATION
8. BOUTON D'HORLOGE/MINUTEUR
9. BOUTON DE MARCHÉ/ARRÊT AVEC TÉMOIN LUMINEUX
10. VERSEUSE ISOLANTE AVEC COUVERCLE
11. MESURE GRADUÉE
12. PANIER À FILTRE AMOVIBLE
13. FILTRE À CAFÉ PERMANENT
14. LANGUETTE D'OUVERTURE DU COUVERCLE
15. SÉLECTEUR ACCUFLAVOR
16. PLATEAU DE RANGEMENT DES TASSES

VOTRE CAFETIÈRE (suite)

FONCTIONS :

1. **PAUSE ET SERVIR (PAUSE 'N SERVE) :** Cette fonction vous permet d'interrompre le cycle d'infusion et de verser une tasse de café avant que la verseuse soit remplie. Pour redémarrer le cycle d'infusion, replacez la verseuse sur la plaque de la verseuse et le café commencera automatiquement à couler au travers du panier à filtre. Veillez à placer la verseuse complètement sur la plaque. **ATTENTION :** Si vous retirez la verseuse de la plaque de la verseuse pendant plus de 30 secondes, le panier à filtre pourrait déborder.
2. **AFFICHAGE NUMÉRIQUE HORLOGE/MINUTEUR :** L'horloge numérique de 24 heures intégrée au panneau de commande de la cafetière indiquera l'heure correcte même après que l'appareil a été éteint. Le minuteur peut être programmé jusqu'à 24 heures à l'avance pour commencer à préparer automatiquement du café. Veillez à ce que la verseuse soit placée complètement sur la plaque.
3. **INDICATEUR DE NIVEAU D'EAU :** Des gros chiffres faciles à lire indiquent combien de tasses d'eau ont été versées dans la cafetière.
4. **SÉLECTEUR ACCUFLAVOR :** Cette fonction vous permet de choisir la force du café exactement comme vous l'aimez.
5. **VERSEUSE ISOLANTE À DOUBLE PAROI :** La verseuse de conception exclusive retient la chaleur, gardant le café chaud pendant des heures. Elle contribue également à préserver le goût de café frais.
6. **RÉSERVOIR À EAU AMOVIBLE :** Cette fonction simplifie le remplissage et facilite le nettoyage.
7. **PLATEAU DE RANGEMENT DES TASSES :** Pour des tasses chaudes faciles à utiliser.
8. **FILTRE DORÉ PERMANENT :** Spécialement conçu pour empêcher même les moutures les plus fines de se retrouver au fond de votre tasse de café. Et, comme il est plus durable que la plupart des filtres, il durera plus longtemps.
9. **FILTRATION PERFECTIONNÉE DE L'EAU :** Cette fonction optimise le goût de votre café en éliminant les arrière-goûts dus au chlore.
10. **RANGEMENT DU CORDON :** Cette fonction vous permet de bien ranger le cordon électrique lorsque la cafetière n'est pas utilisée.

VOTRE CAFETIÈRE (suite)

PANNEAU DE COMMANDE :

1. **AFFICHAGE NUMÉRIQUE HORLOGE/MINUTEUR** : Affiche l'heure et le réglage du minuteur. Consultez la section « Réglage de l'horloge » dans ce manuel pour savoir comment programmer l'horloge.
2. **BOUTON DE PROGRAMMATION (P)** : Ce bouton vous permet de programmer la cafetière jusqu'à 24 heures avant l'heure de préparation désirée. Consultez la section « Réglage du minuteur » pour plus de détails sur la fonction MINUTEUR.
3. **BOUTON D'HORLOGE/MINUTEUR** : Ce bouton fait avancer l'affichage des minutes pour l'horloge et le minuteur. Consultez la section « Réglage de l'horloge ».
4. **BOUTON MARCHÉ/ARRÊT** : Ce bouton permet d'allumer et éteindre la cafetière.

RÉGLAGE DE L'HORLOGE

REMARQUE : Cette cafetière peut être réglée pour une horloge de 12 heures (avec indicateur AM/PM) ou de 24 heures. Appuyez une fois sur le bouton de programmation pour alterner entre l'affichage sur 12 heures et l'affichage sur 24 heures.

1. Branchez la cafetière. Le rétroéclairage s'allumera et l'affichage clignotera.
2. Les chiffres sur l'affichage numérique clignoteront jusqu'à ce que l'heure soit réglée. Utilisez l'indicateur AM/PM dans le coin gauche de l'affichage numérique pour régler correctement l'heure. **REMARQUE** : Le débranchement de l'appareil remettra l'affichage de l'horloge à 12:00.
3. Réglez l'horloge à l'heure correcte en appuyant une fois sur le bouton CLOCK (HORLOGE). L'heure avancera d'une minute à la fois. Appuyez sur le bouton sans le relâcher pour faire avancer l'heure de 15 minutes à la fois.
4. Pour régler l'horloge, appuyez sur le bouton ON/OFF (MARCHÉ/ARRÊT) ou attendez une minute qu'elle se règle automatiquement. **REMARQUE** : Pour régler de nouveau l'horloge, appuyez sur le bouton CLOCK pendant cinq secondes et réglez l'horloge comme cela est décrit ci-dessus. **REMARQUE** : Le rétroéclairage de l'affichage s'éteindra automatiquement après une minute.

PROGRAMMATION DE LA PRÉPARATION AUTOMATIQUE (FONCTION DE MINUTEUR)

1. Réglez l'horloge à l'heure correcte (Consultez la section « Réglage de l'horloge » dans ce manuel).
2. Appuyez sur le bouton PROGRAM, le symbole de l'horloge et l'affichage clignotera.
3. Appuyez sur le bouton CLOCK (HORLOGE) jusqu'à ce que l'heure de préparation désirée soit affichée (Consultez la section « Réglage de l'horloge » dans ce manuel).
4. Appuyez sur le bouton ON/OFF (MARCHE/ARRÊT) pour confirmer l'heure de préparation automatique choisie. **REMARQUE** : L'affichage et le témoin lumineux ON/OFF clignoteront.
5. Appuyez sur le bouton PROGRAM pour retourner à l'affichage de l'heure (le bouton ON/OFF continuera de clignoter). Le cycle de préparation commencera à l'heure programmée et quand le bouton ON/OFF cessera de clignoter.
6. Si vous voulez vérifier l'heure programmée pour la préparation automatique, appuyez sur le bouton PROGRAM.
7. Pour annuler la fonction de préparation automatique, appuyez sur le bouton ON/OFF et la cafetière commencera immédiatement la préparation du café. Appuyez de nouveau sur le bouton ON/OFF pour éteindre la cafetière.

UTILISATION DE LA CAFETIÈRE

PRÉPARATION DE LA CAFETIÈRE POUR SON UTILISATION :

1. Placez la cafetière sur une surface horizontale loin de tout rebord.
2. Branchez l'appareil à une prise de courant de 120 V/60 Hz uniquement.
3. Le couvercle de la verseuse doit être correctement placé sur la verseuse pendant la préparation du café et la verseuse doit reposer sur la plaque.
4. **ATTENTION** : Le couvercle de la cafetière doit être bien fermé pendant l'utilisation.

REMPLISSAGE DU RÉSERVOIR D'EAU ET UTILISATION DU FILTRE À EAU :

5. Ouvrez le couvercle situé sur le dessus de la cafetière. Soulevez le réservoir pour le retirer de la cafetière.
6. Séparez le porte-filtre à eau en tirant dessus. Placez le filtre à eau dans son porte-filtre. Réassemblez le porte-filtre à eau.
7. Tournez la poignée du porte-filtre à eau et alignez la flèche sur la base avec la lettre pour le mois actuel (ex. : F pour février).
8. Abaissez le porte-filtre à eau dans le réservoir d'eau et mettez-le en place au fond du réservoir d'eau.
9. Remplissez le réservoir de la quantité désirée d'eau froide. Le niveau d'eau doit être entre les repères supérieurs et inférieurs de tasses.

UTILISATION DE LA CAFETIÈRE (suite)

REMARQUE : Ne remplissez pas au-dessus du niveau MAX. Le réservoir d'eau peut aussi être rempli lorsqu'il est dans la cafetière, mais faites attention à ne pas renverser. Remplissez la verseuse de la quantité désirée d'eau et versez soigneusement son contenu dans le réservoir d'eau.

10. Remettez en place le réservoir dans la cafetière. L'indicateur de niveau d'eau vous permet de connaître la quantité d'eau dans le réservoir d'eau.

REMARQUE : La quantité de café préparé en fin de cycle sera toujours légèrement inférieure à la quantité d'eau placée dans le réservoir de la cafetière, car la mouture et le filtre absorbent un peu d'eau. Ajoutez un petit d'eau supplémentaire au début afin d'obtenir le nombre exact désiré de tasses.

PRÉPARATION DU CAFÉ :

1. Soulevez le panier à filtre amovible. Le filtre permanent (fourni) peut être utilisé à la place d'un filtre en papier ou avec un filtre en papier. Avec un filtre en papier, placez un cornet-filtre no 4 dans le panier à filtre avant de le remplir de café moulu. Remplissez le filtre de la quantité nécessaire de café moulu.
2. Placez la quantité désirée de café moulu dans le filtre. Selon les normes de l'industrie du café, utilisez une mesure nominale (2 cuillerées à soupe rases) de café moulu pour six onces d'eau. Après avoir utilisé plusieurs fois votre cafetière, vous pouvez ajuster la quantité de café moulu selon votre goût particulier.
REMARQUE : Veillez à d'utiliser un café moulu café moulu préparé spécialement pour les cafetières automatiques goutte-à-goutte.
3. Remplacez le panier à filtre dans la cafetière. Veillez à ce que le panier à filtre soit correctement installé dans la cafetière. Fermez le couvercle sur le dessus de la cafetière. **ATTENTION** : Ne faites pas fonctionner la cafetière si le couvercle ne se ferme pas bien. Si le couvercle ne se ferme pas bien, vérifiez-le pour voir que le panier à filtre est bien installé et réinstallez-le si nécessaire.
4. Réglez le sélecteur ACCUFLAVOR pour changer la force de votre café. Tournez le sélecteur vers la gauche pour un café léger et vers la droite pour un café noir (fort).
5. Vissez le couvercle sur la verseuse isolante jusqu'à ce qu'il soit verrouillé en position (l'encoche sur le dessus du couvercle devrait être alignée à la poignée). Placez la verseuse sur la plaque. Pour la préparation, le couvercle devrait être complètement fermé.

UTILISATION DE LA CAFETIÈRE (suite)

6. Branchez l'appareil à une prise de courant et appuyez sur le bouton ON/OFF.
7. Appuyez deux fois sur le bouton ON/OFF pour lancer immédiatement le cycle de préparation. Le bouton ON/OFF s'allumera et la cafetière commencera le processus de préparation du café.

Utilisation de la fonction de préparation automatique :

8. Si vous désirez utiliser la fonction de Préparation automatique, suivez d'abord les instructions données dans la section « Programmation de la préparation automatique » dans ce manuel, puis suivez les instructions données dans « Utilisation de la cafetière » jusqu'au point 6 dans la section « Préparation du café » de ce manuel.
9. En quelques minutes, la cafetière exécutera le cycle de préparation du café et s'éteindra automatiquement. L'affichage numérique s'allumera, puis s'éteindra automatiquement après 10 minutes.
REMARQUE : Pour mettre fin à n'importe quel moment au cycle de préparation, appuyez sur le bouton ON/OFF (MARCHE/ARRÊT). L'affichage numérique s'allumera pendant une minute puis s'éteindra automatiquement.
10. **REMARQUE :** Si vous voulez une tasse de café avant qu'une verseuse complète soit prête, la fonction « Pauser et Servir » (Pause 'N Serve) vous permet de suspendre le cycle de préparation. Il ne s'interrompt pas; seul l'écoulement du café du panier cesse. Ne retirez pas la verseuse pendant plus de trente (30) secondes ou le café pourrait déborder du panier. Bien que nous offrions cette fonction, nous ne vous recommandons pas de vous verser une tasse de café avant la fin du cycle de préparation, car le café préparé au début du cycle a un arôme très différent de celui préparé à la fin du cycle. Le retrait d'une tasse de café pendant le cycle de préparation modifiera l'arôme final du café dans la verseuse une fois le cycle terminé.
11. Pour verser du café après la fin de la préparation, dévissez le couvercle de 180 degrés afin que l'encoche dans le couvercle soit alignée avec le bec verseur. Une fois que la quantité désirée de café a été versée, revissez le couvercle pour maintenir la température du café. La verseuse isolante gardera le café au chaud après la fin de la préparation.
12. Appuyez sur le bouton ON/OFF pour éteindre l'appareil lorsque la verseuse est vide ou lorsque la cafetière n'est pas utilisée. À la fin du cycle de préparation du café, jetez la mouture et rincez bien à l'eau le filtre permanent et le panier à filtre. (Consultez la section « Nettoyage de la cafetière » dans ce manuel pour plus de détails.)

UTILISATION DE LA CAFETIÈRE (suite)

13. **REMARQUE** : Si vous n'avez pas utilisé la cafetière depuis longtemps, faites-lui exécuter un cycle avec de l'eau uniquement (sans café) pour la nettoyer. Remplissez le réservoir d'eau jusqu'à la tasse supérieure lorsque vous effectuez cette procédure. **ATTENTION** : Ne mettez jamais la verseuse dans un four à micro-ondes.

CONSEILS POUR UN BON CAFÉ

1. La propreté de la cafetière est essentielle au goût du café. Un nettoyage régulier, comme le décrit «Nettoyage de votre cafetière», est fortement recommandé.
2. Utilisez toujours de l'eau douce froide dans votre cafetière.
3. Un café à mouture fine permet une extraction plus poussée et donne un café riche en goût. Une mouture ordinaire exigera légèrement plus de café moulu par tasse pour donner la force d'une mouture plus fine.
4. Rangez le café moulu dans un endroit sec et frais. Une fois ouvert, conservez le café dans un récipient fermé et étanche pour en préserver la fraîcheur.
5. Pour un café optimal, achetez des grains de café et moulez-les juste avant de préparer le café.
6. Ne réutilisez le café moulu car cela nuira considérablement au goût du café.
7. Il n'est pas recommandé de réchauffer le café. Le goût du café est meilleur immédiatement après sa préparation.
8. De petites gouttes d'huile sur la surface du café noir sont dues à l'extraction de l'huile des grains de café. Les cafés plus fortement torréfiés peuvent produire plus d'huile. Une extraction excessive peut également donner de l'huile, indiquant alors le besoin de nettoyer votre cafetière.

INDICATEUR DE DÉCALCIFICATION



1. Après environ cent cycles de préparation, la cafetière vous indiquera qu'elle doit être nettoyée. Une série de lignes continues apparaîtront sur l'affichage numérique. Lorsque quatre lignes sont affichées et clignotent, cela indique qu'il est temps de nettoyer la cafetière à la main.
2. Pour décaler l'appareil, suivez les instructions 8 et 9 de la section « Nettoyage de la cafetière » dans ce manuel.
3. Pour réinitialiser l'appareil, appuyez sur le bouton CLOCK et PROGRAM pendant deux secondes.

NETTOYAGE DE VOTRE CAFETIÈRE

1. **ATTENTION** : Veillez toujours à ce que la cafetière soit débranchée avant d'essayer de la nettoyer. Pour vous protéger des électrocutions, ne plongez pas le cordon, la fiche ou la cafetière dans l'eau ou dans un autre liquide.
2. L'extérieur de votre cafetière peut être nettoyé en essuyant la surface avec un chiffon doux et humide. **ATTENTION** : Ne plongez jamais la cafetière dans l'eau ou dans un autre liquide.
3. Nettoyez l'intérieur de la cafetière avec un chiffon mouillé et un détergent doux. N'utilisez pas de produits abrasifs ni de tampons à récuser sur la verseuse, cela en éraflera la surface.
4. Le couvercle de la verseuse, le panier à filtre amovible et le porte-filtre à eau peuvent être lavés à l'eau tiède et savonneuse. Rincez-les et séchez-les bien. Ne mettez aucune pièce de la cafetière au lave-vaisselle.
5. Pour laver le filtre permanent, videz-en le café moulu et rincez-le bien.
6. Ne nettoyez pas l'intérieur du réservoir d'eau avec un chiffon car le chiffon peut avoir des peluches qui pourraient boucher la cafetière.
7. Pour les tâches coriaces, utilisez un tampon en nylon ou en plastique avec un produit de nettoyage non abrasif. N'utilisez pas de tampons métalliques ni de produits de nettoyage abrasifs.

Décalcification

8. Des dépôts de calcium peuvent s'accumuler dans la cafetière en raison des minéraux qui se trouvent généralement dans l'eau potable. L'accumulation est normale et la préparation du café peut en être ralenti. Ce problème peut être corrigé en décalcifiant régulièrement la cafetière. **REMARQUE** : Retirez toujours le filtre à eau et le porte-filtre à eau avant la procédure de décalcification.
9. Pour décalcifier la cafetière, remplissez la verseuse d'eau froide et de deux cuillerées à soupe de vinaigre blanc. Versez la solution dans le réservoir d'eau, puis fermez le couvercle. Placez la verseuse sur la plaque et faites fonctionner la cafetière avec la solution de vinaigre. N'utilisez pas de filtre dans le panier à filtre pendant la décalcification. Lorsque toute la solution de vinaigre se trouve dans la verseuse, videz-la et rincez-la à l'eau froide. Remplissez d'eau froide le réservoir d'eau et faites fonctionner de nouveau la cafetière pour éliminer toute trace de la solution de vinaigre. Répétez la dernière procédure si nécessaire.

Filtre à eau

10. Remplacez et jetez le filtre à eau après soixante-dix (70) cycles de préparation ou tous les mois (selon la première des deux éventualités).

ADVERTENCIAS DE SEGURIDAD

Para el manejo de artefactos eléctricos, se deben tomar ciertas precauciones elementales para disminuir el riesgo de incendio, electrocución y/o lesiones personales.

1. Lea atentamente todas las instrucciones.
2. Tenga cuidado de no tocar las superficies calientes. Utilice el asa de la jarra.
3. Para evitar descargas eléctricas, no ponga el cable, el enchufe ni la cafetera en el agua ni en cualquier otro líquido.
4. Es necesario prestar mucha atención cuando se utiliza este aparato cerca de niños o cuando se deja a los niños que lo utilicen.
5. Desenchúfelo de la pared cuando no lo esté utilizando y antes de limpiarlo. Deje que la máquina se enfríe antes de montar o desmontar ninguna pieza, y antes de limpiarla.
6. No utilice el aparato si el cable o el enchufe están dañados, ni después de un funcionamiento incorrecto ni tampoco si se presenta daños de cualquier tipo. Lleve el aparato a un taller autorizado para controlarlo, repararlo o ajustarlo.
7. El fabricante desaconseja el uso de accesorios adicionales. Podría ser peligroso y debería evitarse en cualquier caso.
8. No utilice el aparato al aire libre.
9. Tenga cuidado de que el cable no quede colgando fuera de la mesa o de la encimera, y de que no entre en contacto con superficies calientes.
10. No coloque el aparato cerca de una hornilla de gas o eléctrica o de un horno encendido.
11. Antes de accionar cualquier mando, acuérdesse de enchufar antes el aparato a la toma de la pared. Para desconectar el aparato, apáguelo (OFF) y desenchúfelo de la pared.
12. Utilice siempre agua fría para hacer el café. El uso de agua caliente u otros líquidos podría dañar la cafetera.
13. Existe el peligro de quemarse si levanta o quita la tapa durante el ciclo de filtrado.
14. No utilice este aparato para cualquier otro uso que no sea el previsto.
15. No coloque la jarra caliente sobre una superficies húmeda o fría.
16. No coloque la jarra caliente encima o cerca de papel, tela u otro material inflamable.
17. Nunca utilice la jarra en la hornilla ni en el microondas.
18. No deje que el líquido se evapore de la jarra. No caliente la jarra si está vacía.
19. No mueva la unidad si la jarra contiene líquido caliente.
20. La tapa de la jarra tiene que estar puesta durante la fase de filtrado del café y en el momento de servirlo.
21. Elimine la jarra si está dañada o si tiene el asa suelta o floja. Si tiene una grieta la jarra se podría romper o contaminar el líquido con partículas de cristal.

ADVERTENCIAS DE SEGURIDAD (continuación)

22. No limpie la jarra con detergentes en polvo, estropajos de acero ni ningún otro material abrasivo.
23. Esta jarra está diseñada para ser utilizada exclusivamente con esta cafetera.
24. **ADVERTENCIA:** Para reducir el riesgo de incendios o descargas eléctricas, no quite la tapa inferior. Los componentes internos no pueden ser cambiados por el usuario. Las reparaciones deberán ser realizadas sólo por personal autorizado. **ATENCIÓN:** No sumerja el aparato en ningún líquido.
25. **ATENCIÓN:** No levante el depósito de agua durante el funcionamiento porque está muy caliente y podría causar quemaduras graves. Levante la tapa por el borde de apertura y cuando el aparato esté apagado.
26. No toque las superficies calientes, incluyendo la zona para colocar las tazas.

SÓLO PARA USO DOMÉSTICO GUARDAR ESTAS INSTRUCCIONES

INSTRUCCIONES CORTAS DE LA CUERDA

La cafetera tiene un cordón eléctrico corto para prevenir accidentes por enredos y tropezos. Tomando las precauciones necesarias, se puede usar un cordón eléctrico prolongador (opcional). En tal caso: (1) la capacidad de corriente del cordón prolongador debe ser igual o mayor que el consumo de corriente del aparato que está alimentando; y (2) se deben tomar precauciones para que no quede colgando del borde una mesa o mesada, adonde los niños puedan arrastrarlo o tropezarse con él accidentalmente. El consumo nominal de corriente eléctrica de la cafetera se encuentra especificado en el panel inferior de la misma. Si el enchufe de la cafetera tiene pata de conexión a tierra, el cordón prolongador también debe tener tres conductores, uno de los cuales debe servir de conexión a tierra. Por razones de seguridad, este artefacto tiene un enchufe con patas de polaridad diferenciada (una es más ancha que la otra), que se puede introducir en una sola posición en un tomacorriente de polaridad diferenciada. Si hubieran dificultades para introducirlo totalmente en el tomacorriente, llamar a un electricista profesional para solucionar el problema. No alterar el diseño original del enchufe por ningún motivo.

ANTES DEL PRIMER USO

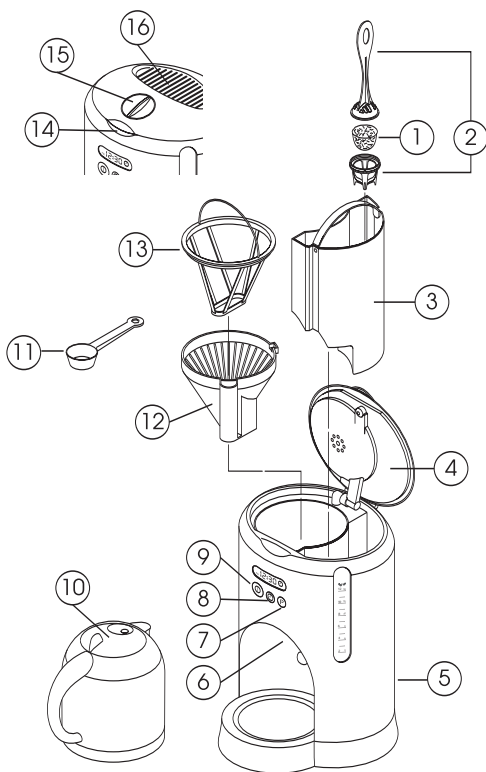
Colocar la caja sobre una superficie amplia, firme y plana. Sacar con cuidado la cafetera y el manual de instrucciones de la caja, y quitar todos los materiales de embalaje. Quitar las etiquetas y/o calcomanías de la cafetera. Si fuera necesario, limpiar el polvo con un paño limpio y húmedo. Secar bien la cafetera. No sumergir la cafetera en agua ni en ningún otro tipo de líquido. Limpiar la jarra, la tapa de la jarra, el portafiltro y el filtro en una solución de agua y detergente. Enjuagar y secar bien la cafetera. No usar productos limpiadores abrasivos ni fuertes para limpiar la unidad (se pueden ver más detalles en la sección de "Limpieza de la cafetera"). No dejar bolsas plásticas al alcance de los niños.

NOTA: Antes de preparar café por primera vez, es recomendable hacer funcionar la cafetera una o dos veces con agua solamente, sin café molido en el filtro. Esto limpiará el polvo u otros residuos que pudieran haber quedado adentro de la cafetera y que podrían alterar el sabor del café.

IMPORTANTE: Cargar la cafetera con agua fría, ya que así el sistema de goteo automático funciona mejor.

DETALLES DE LA CAFETERA AUTOMÁTICA

FIGURA 1



- | | |
|---|--|
| 1. FILTRO DE AGUA | 9. BOTÓN ON/OFF
(ENCENDIDO/APAGADO) CON LUZ
INDICADORA |
| 2. CONTENEDOR PARA EL FILTRO
DE AGUA | 10. JARRA TÉRMICA CON TAPA |
| 3. DEPÓSITO DE AGUA EXTRAÍBLE | 11. MEDIDOR |
| 4. TAPA | 12. PORTAFILTRO EXTRAÍBLE |
| 5. ALOJAMIENTO DEL CABLE
ANTI-GOTEO (INTERRUMPIR Y SERVIR) | 13. FILTRO DE CAFÉ PERMANENTE |
| 6. DISPOSITIVO
ANTI-GOTEO (INTERRUMPIR Y SERVIR) | 14. BORDE DE APERTURA DE LA TAPA |
| 7. BOTÓN PROGRAM (para
seleccionar el programa) | 15. SELECTOR DE AROMA ACCUFLAVOR |
| 8. BOTÓN RELOJ/TEMPORIZADOR | 16. BANDEJA PARA COLOCAR LAS TAZAS |

DETALLES DE LA CAFETERA AUTOMÁTICA (continuación)

CARACTERÍSTICAS:

1. **INTERRUMPIR Y SERVIR:** Le permite interrumpir el ciclo de filtrado y servirse una taza de café antes de que salga todo el café. Para seguir haciendo el café, vuelva a colocar la jarra sobre la placa térmica y el líquido contenido en el portafiltro caerá automáticamente en la jarra. Asegúrese de que la jarra esté bien colocada en la placa. **ATENCIÓN:** No deje la jarra fuera durante más de 30 segundos porque el filtro se llena de agua y rebosa.
2. **DISPLAY DIGITAL RELOJ/TEMPORIZADOR:** El reloj digital, integrado en el panel de control de la cafetera indica siempre la hora correcta aunque el equipo esté desenchufado. El temporizador se puede programar con 24 de antelación para que empiece a preparar el café automáticamente. Asegúrese de que la jarra esté bien colocada en la placa.
3. **INDICADOR DEL NIVEL DEL AGUA:** La cantidad de tazas de agua que ha introducido en la cafetera se indica con números grandes y bien visibles.
4. **SELECTOR DE AROMA ACCUFLAVOR:** Este selector le permite regular la intensidad del café para adecuarlo a su gusto.
5. **JARRA TÉRMICA DE DOBLE CRISTAL:** El diseño único de la jarra mantiene el calor, conservando el café caliente durante horas. Además de conservar todo el sabor del café recién hecho.
6. **DEPÓSITO DE AGUA EXTRAÍBLE:** Cómodo de llenar y fácil de limpiar.
7. **BANDEJA PARA COLOCAR LAS TAZAS:** Para que las tazas estén siempre calientes y listas para usar.
8. **FILTRO PERMANENTE DE COLOR ORO:** Especialmente diseñado para filtrar incluso el café molido más fino. Y como es más resistente que la mayoría de los filtros, también dura más.
9. **FUNCIÓN AVANZADA DE FILTRADO DEL AGUA:** Exalta el sabor del café eliminando el retrogusto del cloro.
10. **ALOJAMIENTO DEL CABLE:** Para guardar el cable en un sitio seguro cuando no se está utilizando la cafetera.

DETALLES DE LA CAFETERA AUTOMÁTICA (continuación)

PANEL DE CONTROL:

1. **DISPLAY DIGITAL RELOJ/TEMPORIZADOR:** Muestra las configuraciones del reloj y el temporizador. Para poner la hora, consulte la sección "Cómo programar el reloj" de este manual.
2. **BOTÓN (P) PROGRAM:** Con este botón podrá programar la cafetera hasta 24 horas antes para que prepare el café a la hora que desee. Para activar la función del temporizador, consulte la sección "Cómo programar el funcionamiento automático de la cafetera".
3. **BOTÓN RELOJ/TEMPORIZADOR:** Este botón sirve para establecer los minutos del reloj y el temporizador. Consulte la sección "Cómo programar el reloj".
4. **BOTÓN DE ENCENDIDO / APAGADO (ON/OFF):** Sirve para encender y apagar el aparato.

CÓMO PROGRAMAR EL RELOJ

NOTA: El reloj de esta cafetera se puede poner con el sistema de 12 horas (am/pm) o de 24 horas. Si es necesario, pulse el botón de programa para cambiar de uno a otro.

1. Enchufe la cafetera. La luz del display se iluminará y se pondrá intermitente.
2. Los números del display digital parpadearán hasta que se haya puesto en hora. Utilice el indicador de am/pm que está a la izquierda del display digital para poner el reloj en hora. **NOTA:** Al desenchufar el aparato, la hora se pondrá en 12:00
3. Seleccione la hora pulsando una vez el botón CLOCK (RELOJ). La hora indicada aumentará de 1 minuto. Mantenga pulsado el botón para avanzar a intervalos de 15 minutos.
4. Para programar el reloj, pulse el botón ON/OFF o espere 1 minuto a que la hora se establezca automáticamente. **NOTA:** Podrá poner el reloj en hora cada vez que lo desee pulsando el botón CLOCK durante 5 segundos y realizando las operaciones descritas arriba. **NOTA:** La luz del display se apagará automáticamente después de 1 minuto.

CÓMO PROGRAMAR EL FUNCIONAMIENTO AUTOMÁTICO DE LA CAFETERA (FUNCIÓN DEL TEMPORIZADOR)

1. Ponga en hora el reloj (Véase la sección "Cómo programar el reloj" de este manual).

CÓMO PROGRAMAR EL FUNCIONAMIENTO AUTOMÁTICO DE LA CAFETERA (FUNCIÓN DEL TEMPORIZADOR) (continuación)

2. Pulse el botón PROGRAM, el símbolo del reloj y el display se pondrán intermitentes.
3. Pulse el botón CLOCK para establecer la hora en que debe iniciar el funcionamiento automático (Véase la sección “Cómo programar el reloj” de este manual)
4. Pulse el botón ON/OFF para confirmar la hora que se ha seleccionado para el funcionamiento automático. **NOTA:** La luz del panel del display y el botón on/off se pondrán intermitentes.
5. Pulse el botón PROGRAM para volver a la hora actual del día (la luz el botón ON/OFF seguirá intermitente.) El café empezará a prepararse a la hora establecida y la luz del botón ON/OFF dejará de estar intermitente.
6. Si desea controlar la hora que ha seleccionado para la preparación automática, pulse el botón PROGRAM.
7. Para desactivar la función automática, pulse el botón ON/OFF y la cafetera empezará a preparar el café inmediatamente. Pulsando el botón ON/OFF una vez más, se apagará la cafetera.

FUNCIONAMIENTO DE LA CAFETERA

CÓMO PREPARAR LA CAFETERA PARA HACER EL CAFÉ

1. Coloque la cafetera sobre una superficie plana, nivelada lejos del borde.
2. Enchufe el aparato solamente a una toma de corriente de 120V/60Hz.
3. La tapa de la jarra tiene que estar bien colocada mientras se hace el café. Y la jarra tiene que estar colocada en la placa.
4. **ATENCIÓN:** La tapa de la cafetera tiene que estar completamente cerrada durante el funcionamiento.

CÓMO RELLENAR EL DEPÓSITO DE AGUA Y UTILIZAR EL FILTRO DE AGUA:

5. Abra la tapa situada en la parte superior de la cafetera. Extraiga el depósito de agua.
6. Desmunte el contenedor del filtro de agua separando las dos piezas. Coloque el filtro de agua dentro del contenedor. Vuelva a montar el contenedor del filtro de agua.
7. Gire la manecilla del contenedor del filtro de agua y alinee la flecha de la base con la letra correspondiente al mes actual (Por ejemplo F en Febrero).
8. Introduzca el contenedor del filtro de agua en el depósito de agua y colóquelo en su sitio en la base del depósito de agua.

FUNCIONAMIENTO DE LA CAFETERA (continuación)

9. Llene el depósito con la cantidad que desee de agua caliente. El nivel de agua tiene que estar comprendido entre las marcas de la taza superior e inferior. **NOTA:** No supere el nivel MAX. Como alternativa, puede llenar el depósito con la jarra dejándolo dentro de la máquina, pero teniendo mucho cuidado de no derramarla. Llene la jarra con la cantidad de agua que desee y viértala con cuidado en el depósito.
10. Coloque el depósito de agua en la cafetera. El indicador de nivel del agua le permite saber la cantidad de agua que hay en el depósito.

NOTA: La cantidad de café preparado es siempre ligeramente inferior a la cantidad de agua introducida en el depósito, ya que una pequeña cantidad es absorbida por el café molido y por el filtro. Es suficiente añadir un poco más de café al principio para obtener el número de tazas que desee.

CÓMO PREPARAR EL CAFÉ:

1. Levantar el portafiltros extraíble. Si lo desea puede utilizar el filtro permanente (incluido) como alternativa o como suplemento del filtro de papel (no incluido). Si utiliza filtros de papel, introduzca un filtro en forma de embudo del número #4 en el portafiltros antes de llenarlo con café. Rellene el filtro con la cantidad de café necesaria.
2. Ponga la cantidad de café que desee en el filtro. Según las normas de la industria cafetera, se deberían utilizar una medida de café en polvo estándar (2 cucharadas) por cada 0,3 l (6 onzas) de agua. Cuando lleve un tiempo usando la máquina, podrá cambiar a aumentar o disminuir la cantidad de café para adaptarlo a su gusto particular.
NOTA: Asegúrese de que está utilizando café molido especial para cafeteras automáticas de goteo.
3. Ponga el portafiltros dentro de la cafetera. Compruebe que el portafiltros esté bien colocado en la cafetera. Cierre la tapa de la parte superior de la cafetera. **ATENCIÓN:** No utilice la cafetera si la tapa no se cierra por completo. Si la tapa no se cierra por completo, compruebe que el portafiltros estén bien sellado y encajado en su sitio.
4. Regule la posición del selector ACCUFLAVOR para obtener un café más fuerte o menos fuerte. Gire el selector a la izquierda si desea un café ligero o a la derecha si lo prefiere más fuerte.
5. Enrosque la tapa en la jarra hasta que encaje en su sitio (la muesca de la parte superior de la tapa tiene que estar alineada con el mango). Coloque la jarra en la placa. Mientras se hace el café la tapa tiene que estar completamente cerrada.

FUNCIONAMIENTO DE LA CAFETERA (continuación)

6. Enchufe el aparato a la pared y pulse el botón ON/OFF.
7. Si desea hacer el café inmediatamente, pulse dos veces el botón ON/OFF. El botón ON/OFF se encenderá y la cafetera empezará a hacer el café.

CÓMO UTILIZAR LA FUNCIÓN AUTOMÁTICA DE LA CAFETERA:

8. Si desea utilizar la función automática de la cafetera, en primer lugar deberá seguir todas las instrucciones de la sección “Cómo programar el funcionamiento automático de la cafetera” de este manual. Luego, siga todas las instrucciones de la sección “Funcionamiento de la cafetera” hasta el #6 de la sección “Cómo preparar el café de este manual”.
9. La cafetera preparará el café en unos minutos y se apagará automáticamente. El display digital se enciende y se apaga automáticamente pasados 10 minutos. **NOTA:** Podrá interrumpir el suministro de café en cualquier momento pulsando el botón ON/OFF. El display digital se encenderá durante un minuto y luego se apagará automáticamente.
10. **NOTA:** La función Pausa para Servir permite servir una taza de café antes de que se haya terminado de preparar toda la jarra. En este caso, no se interrumpe la preparación del café, sino que se corta la salida de líquido del portafiltro. No retirar la jarra durante más de 30 segundos, ya que podría rebalsar el filtro y derramarse café. Si bien ponemos esta función a disposición del usuario, aclaramos que no es ideal servirse en estas condiciones, ya que el sabor del café que sale al inicio del ciclo no es igual al sabor del café al final del mismo. Al extraer una taza al principio del ciclo de preparación, cambiará el sabor del contenido de la jarra al final del mismo.
11. Cuando el café esté listo, antes de servirlo deberá girar la tapa de la jarra unos 180° para alinear la muesca con la boquilla. Una vez que haya salido la cantidad de café que desee, vuelva a girar la tapa para conservar el café caliente. La jarra térmica conserva el café caliente después de que el café haya terminado de salir.
12. Pulse el botón ON/OFF para apagar el aparato cuando la jarra está vacía o cuando no está usando la cafetera. Cuando haya terminado de hacer el café, tire los posos del café y lave bien el filtro permanente y el portafiltros con agua corriente. (Para instrucciones más detalladas, consulte la sección “Cómo limpiar la cafetera” de este manual.)

FUNCIONAMIENTO DE LA CAFETERA (continuación)

13. **NOTA:** Si lleva un tiempo sin usar la cafetera, póngala a funcionar y realice un ciclo sólo con agua (sin café) para limpiarla. Llene el depósito de agua hasta arriba para realizar esta operación.
ATENCIÓN: No utilice nunca la jarra en el microondas.

SUGERENCIAS PARA PREPARAR UN CAFÉ SABROSO

1. Para preparar un café sabroso, es fundamental mantener la cafetera limpia. Se recomienda llevar a cabo la limpieza regular de la cafetera siguiendo las instrucciones de la sección "Limpieza de la cafetera" de este manual de instrucciones.
2. Usar siempre agua potable fría.
3. El grano molido fino facilita la extracción y el café obtenido será más cargado y sabroso. Con grano de café molido regularmente, será necesario usar una pequeña cantidad extra para obtener el mismo sabor que con grano molido fino.
4. Guardar el café en un lugar fresco y seco. Una vez que se abre en envase de café, conservarlo bien cerrado en el refrigerador para que se mantenga fresco.
5. Para obtener óptimo sabor, es mejor comprar granos enteros y molerlos antes de preparar el café.
6. No usar café molido más de una vez, ya que perderá considerablemente el sabor.
7. No es recomendable recalentar café preparado. El sabor del café es óptimo inmediatamente después de prepararlo.
8. A veces se notará que hay pequeñas gotas de aceite suspendidas en la superficie del café recién hecho. Esto se debe a la extracción de aceite del café molido. Ocurre más frecuentemente con café tostado que con otros tipos de café. La saturación excesiva también puede dejar estos residuos aceitosos, en cuyo caso es conveniente lavar la cafetera.

INDICADOR DE LA DESCALCIFICACIÓN



1. La cafetera después de haber realizado unos 100 ciclos de funcionamiento, le indicará automáticamente que es necesario limpiarla. En el display digital irán apareciendo una serie de líneas continuas. Cuando aparezcan 4 líneas y se pongan intermitentes, significa que ha llegado el momento de limpiar la cafetera.
2. Para descalcificar la máquina, siga las instrucciones 8 y 9 de la sección "Cómo limpiar la cafetera" de este manual.
3. Para reiniciar la máquina, pulse el botones CLOCK y PROGRAM durante 2 segundos.

LIMPIANDO SU CAFETERA

1. **ATENCIÓN:** Antes de limpiar la cafetera, asegúrese de que esté desenchufada. Para evitar descargas eléctricas, no sumerja el cable, el enchufe ni el equipo en agua o cualquier otro líquido.
2. Puede limpiar la parte exterior de la cafetera con un paño suave y húmedo. **ATENCIÓN:** No sumerja nunca la cafetera en agua ni en cualquier otro líquido.
3. Limpie el interior de la cafetera con un paño húmedo y detergente suave. No utilice detergentes abrasivos ni estropajos para la lavar la jarra porque se raya.
4. La tapa de la jarra, el portafiltros extraíble y el contenedor del filtro de agua se pueden lavar con agua templada y jabón. Luego enjuáguelos y séquelos bien. No ponga ningún componente de la cafetera en el lavavajillas.
5. Para limpiar el filtro permanente, vacíe los posos del café y enjuáguelo bien.
6. No limpie el interior del depósito de agua con un trapo porque puede dejar pelusas que podrían obstruir la cafetera.
7. Para eliminar manchas difíciles utilice una esponja de nylon o de plástico y limpiador no abrasivo (sólo en el interior de la cafetera). No utilice estropajos metálicos ni detergentes abrasivos.

Descalcificación

8. Es probable que se acumulen depósitos de cal en la cafetera debido a los minerales que se encuentran normalmente en el agua potable. Estos depósitos de cal son normales y pueden reducir la eficacia de la cafetera. Esto se puede eliminar descalcificando periódicamente la cafetera. **NOTA:** Quite siempre el filtro de agua y el contenedor del mismo antes de realizar la descalcificación.
9. Para descalcificar la cafetera, llene la jarra con agua fría y dos cucharaditas de vinagre blanco. Vierta la solución en el depósito de agua y cierre la tapa. Ponga la jarra en la placa y deje que la cafetera expulse la solución de vinagre. Durante la descalcificación no ponga ningún filtro en el portafiltros. Cuando haya terminado de salir la solución de vinagre, vacíe la jarra y lávela con agua fría. Llene el depósito de agua fría y vuelva a hacer otro ciclo sólo con agua para eliminar los restos de la solución. Repita esta operación si es necesario.

Filtro de agua

10. Cambie y tire el filtro de agua cada 70 ciclos de trabajo o cada mes (el caso que se de primero).

IMPORTANTI MISURE DI SICUREZZA

Quando si maneggiano elettrodomestici si dovrebbero sempre osservare alcune semplici norme precauzionali di sicurezza per ridurre i rischi di incendio, di scosse elettriche e/o di danni alle persone.

1. Leggere attentamente tutte le istruzioni.
2. Non toccare le superfici calde. Utilizzare il manico della caraffa.
3. Per evitare il rischio di scosse elettriche non immergere il cavo, la spina o la macchina per caffè in acqua o in altri liquidi.
4. Si raccomanda un'attenta sorveglianza in caso di utilizzo da parte di bambini o in loro presenza.
5. Togliere la spina dalla presa di corrente quando non è in uso e prima della pulizia. Lasciar raffreddare prima di inserire o togliere le varie parti e prima di pulire l'apparecchio.
6. Mai utilizzare elettrodomestici il cui cavo o la spina risultino danneggiati, oppure elettrodomestici soggetti a cattivo funzionamento o in qualche modo danneggiati. Restituire l'apparecchio a un centro di servizio di assistenza per eventuali controlli, riparazioni o modifiche.
7. Il produttore sconsiglia l'utilizzo di apparecchi accessori, che potrebbe essere pericoloso e va pertanto evitato.
8. Non utilizzare all'esterno.
9. Non lasciar penzolare il cavo oltre il bordo del tavolo o del banco, oppure a contatto con superfici calde.
10. Non mettere sopra o vicino a bruciatori caldi a gas o elettrici, o nel forno acceso.
11. Inserire sempre il cavo dell'alimentazione nella presa di corrente nel muro prima di azionare qualsiasi pulsante. Per spegnere premere OFF, quindi togliere la spina dalla presa nel muro.
12. Utilizzare sempre acqua fredda per preparare il caffè. L'acqua calda o altri liquidi potrebbero danneggiare la macchina per caffè.
13. Esiste il rischio di scottarsi se si solleva o si toglie il coperchio durante il ciclo di filtrazione.
14. Non utilizzare l'elettrodomestico per scopi diversi da quello per cui è stato progettato.
15. Non appoggiare la caraffa bollente su una superficie umida o fredda.
16. Non appoggiare la caraffa bollente sopra o vicino a carta, stoffa o altro materiale infiammabile.
17. Non scaldare mai la caraffa sopra un fornello o nel forno a microonde.
18. Non lasciar evaporare il liquido dalla caraffa. Non scaldare la caraffa quando è vuota.
19. Non spostare la macchina se la caraffa contiene liquido bollente.
20. Chiudere il coperchio della caraffa durante il processo di filtrazione e quando si versa il caffè.
21. Sostituire la caraffa in caso di danni o se il manico è allentato. Una scheggia o una crepa potrebbero causare la rottura della caraffa, e i frammenti di vetro potrebbero contaminare il liquido contenuto.
22. Non pulire la caraffa con detersivi in polvere, pagliette di acciaio o altro materiale abrasivo.
23. La caraffa è stata progettata esclusivamente per l'utilizzo con questa macchina per caffè.

IMPORTANT SAFEGUARDS (continued)

24. **ATTENZIONE:** Per ridurre il rischio di incendio o di scosse elettriche, non rimuovere la copertura della base, che non contiene pezzi utilizzabili dall'utente. Le riparazioni vanno effettuate soltanto da personale autorizzato.
ATTENZIONE: Non immergere in nessun liquido.
25. **ATTENZIONE:** Non sollevare il coperchio del serbatoio dell'acqua durante l'utilizzo poiché ciò potrebbe causare gravi ustioni. Sollevare sempre il coperchio dal beccuccio di apertura e quando l'unità è spenta.
26. Non toccare le parti bollenti, compreso il piano di appoggio per le tazzine.

SOLO PER USO DOMESTICO CONSERVATE QUESTE ISTRUZIONI

ISTRUZIONI CORTE DEL CAVO

La macchina ha in dotazione un filo corto per ridurre il rischio che deriva da eventuali grovigli o dal pericolo di inciampare. Sono disponibili fili più lunghi staccabili da usarsi con tutte le attenzioni del caso. Se adoperate un filo elettrico staccabile o una prolunga: (1) la potenza elettrica della prolunga deve essere almeno la stessa di quella della macchina, e (2) il filo più lungo dovrebbe essere disposto in modo tale che non sporga dal piano su cui è sistemata la macchina: i bambini infatti potrebbero tirarlo o inciamparci. La potenza elettrica della macchina è riportata alla base dell'unità. Se la macchina prevede l'attacco a terra, anche la prolunga dovrebbe avere l'attacco a terra di tipo 3. La macchina ha la spina polarizzata, con un polo più grande dell'altro. Per ridurre il pericolo di scosse elettriche, questo tipo di spina si adatta ad una presa polarizzata solamente in un modo per cui non è possibile sbagliare. Se la spina non entra nella presa, contattare un elettricista qualificato. Non tentate in nessun modo di modificare la spina.

PRIMA DELL'USO

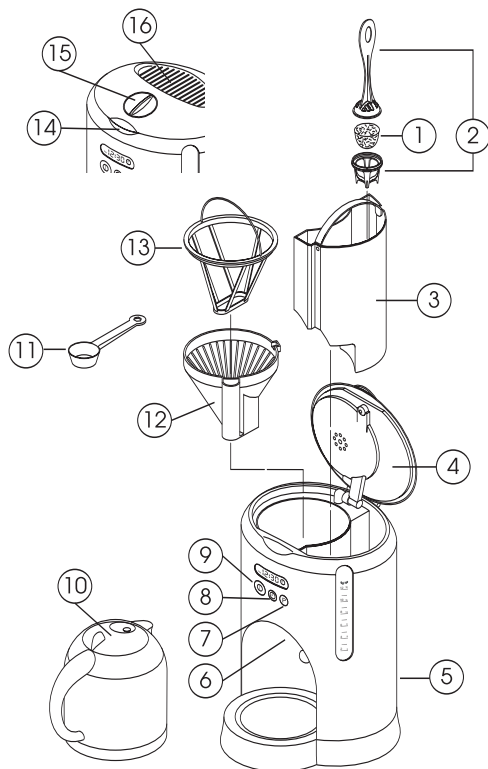
Sistamate il pacco su una superficie ampia e solida. Togliete con attenzione la macchina da caffè dall'imballaggio e rimuovete il materiale di imballo e gli opuscoli. Rimuovete tutte le etichette e gli adesivi dalla macchina. Per liberare la macchina dalla polvere eventualmente accumulatasi durante le operazioni di imballo, spolveratela con un panno umido e pulito, poi aspettare che si asciughi completamente. Non immergerla in acqua o in altri liquidi. Pulire la caraffa, il coperchio, il filtro e il suo contenitore in acqua tiepida con detergente leggero. Risciacquare ed asciugare completamente. Non usare detersivi forti o abrasivi (Per istruzioni dettagliate vedere la sezione dal titolo "Pulizia della macchina da caffè" in questo manuale). Tenere lontane le borse di plastica dalla portata dei bambini.

NOTA: si raccomanda di far funzionare la macchina una o due volte con la sola acqua prima di fare il caffè per togliere eventuali residui di polvere che si fossero depositati all'interno dell'unità e che potrebbero pregiudicare il sapore del primo caffè.

IMPORTANTE: usate solamente acqua fredda. Il sistema di filtraggio automatico funziona meglio con acqua fredda.

CARATTERISTICHE DELLA MACCHINA DA CAFFÈ

ILLUSTRAZIONE 1



- | | |
|---|---|
| 1. FILTRO DELL'ACQUA | 9. PULSANTE ON/OFF CON INDICATORE LUMINOSO |
| 2. CONTENITORE PER IL FILTRO DELL'ACQUA | 10. CARAFFA TERMICA CON COPERCHIO |
| 3. SERBATOIO DELL'ACQUA ESTRAIBILE | 11. CUCCHIAIO DOSATORE |
| 4. COPERCHIO | 12. PORTAFILTRO RIMOVIBILE |
| 5. ALLOGGIAMENTO CAVO | 13. FILTRO PERMANENTE PER IL CAFFÈ |
| 6. DISPOSITIVO ANTIGOCCIA (MANTENIMENTO CAFFÈ CALDO) | 14. BECCUCCIO DI APERTURA DEL COPERCHIO |
| 7. PULSANTE PROGRAM (pulsante di selezione del programma) | 15. MANOPOLA "ACCUFLAVOR" DI SELEZIONE DELL'AROMA |
| 8. PULSANTE ORA/TIMER | 16. POGGIATAZZE |

CARATTERISTICHE DELLA MACCHINA DA CAFFÈ (cont.)

CARATTERISTICHE:

1. **MANTENIMENTO CAFFÈ CALDO:** Consente di interrompere il ciclo di filtrazione e di versare una tazza di caffè prima che la caraffa sia del tutto filtrata. Per riavviare il processo di filtrazione, rimettere la caraffa sulla piastra riscaldante e il caffè riprenderà automaticamente a filtrare dal portafiltro. Assicurarsi che la caraffa sia posizionata correttamente sulla piastra. **ATTENZIONE:** Non togliere la caraffa per più di 30 secondi per non far traboccare il portafiltro.
2. **DISPLAY DIGITALE OROLOGIO / TIMER:** L'orologio digitale con visualizzazione nel formato 24 ore inserito nel pannello di controllo della macchina per caffè indica l'ora esatta anche dopo lo spegnimento dell'apparecchio. Il timer può essere programmato fino a 24 ore prima per avviare automaticamente il processo di filtrazione attraverso il portafiltro. Assicurarsi che la caraffa sia posizionata correttamente sulla piastra.
3. **INDICATORE DI LIVELLO DELL'ACQUA:** I numeri, grandi e facili da leggere, indicano quante tazze d'acqua sono state versate nella macchina per caffè.
4. **MANOPOLA "ACCUFLAVOR" DI SELEZIONE DELL'AROMA:** Permette di scegliere il grado desiderato di aromaticità del caffè.
5. **CARAFFA TERMICA A DOPPIA PARETE:** La caraffa dalla linea inconfondibile conserva il calore, mantenendo il caffè caldo per ore. Consente inoltre di mantenere il gusto del caffè appena preparato.
6. **SERBATOIO DELL'ACQUA RIMOVIBILE:** Può essere comodamente riempito e pulito senza difficoltà.
7. **POGGIATAZZE:** Per tazze calde e pronte per essere usate.
8. **FILTRO PERMANENTE COLOR ORO:** Creato appositamente per filtrare il caffè macinato più fine. E poiché è più resistente della maggior parte degli altri filtri, dura più a lungo.
9. **FUNZIONE AVANZATA DI FILTRAZIONE DELL'ACQUA:** Esalta il sapore del caffè eliminando retrogusti sgradevoli causati da cloro.
10. **ALLOGGIAMENTO CAVO:** Per riporre il cavo dell'alimentazione in modo sicuro quando la macchina per caffè non è in funzione.

CARATTERISTICHE DELLA MACCHINA DA CAFFÈ (cont.)

IL PANNELLO DI CONTROLLO:

1. **DISPLAY DIGITALE OROLOGIO / TIMER:** Visualizza le impostazioni di orologio e timer. Per programmare l'ora si veda la sezione "Impostazione dell'orologio" del presente manuale.
2. **TASTO PROGRAM (P):** Questo pulsante consente di programmare la preparazione del caffè fino a 24 ore prima. Per i dettagli relativi all'attivazione del timer, si veda la sezione "Programmazione della preparazione automatica del caffè".
3. **PULSANTE ORA/TIMER:** Questo pulsante sposta in avanti i minuti dell'orologio e del timer. Si veda la sezione "Impostazione dell'orologio".
4. **PULSANTE ON/OFF:** Attiva la funzione ON / OFF (alimentazione).

IMPOSTAZIONE DELL'OROLOGIO

NOTA: Il formato di visualizzazione dell'ora nella presente macchina per caffè può essere impostato a 12 ore (AM/PM) oppure a 24 ore. Se necessario, premere una volta il pulsante "program" per passare dal formato di visualizzazione a 12 ore al formato a 24 ore.

1. Inserire la spina della macchina per caffè. A questo punto la luce del display si accende e questo comincia a lampeggiare.
2. Il numero sul display digitale lampeggia finché non viene impostata l'ora. Per l'impostazione dell'ora, utilizzare l'indicatore AM / PM sul lato sinistro del display digitale. **NOTA:** Togliendo la spina l'apparecchio reimposta l'orologio su 12:00.
3. Selezionare l'ora esatta premendo una volta il pulsante CLOCK. L'orario si sposta in avanti un minuto alla volta. Tenendo premuto il pulsante, l'orario si sposta per intervalli di 15 minuti.
4. Per impostare l'ora premere il pulsante ON/OFF, oppure attendere un minuto perché l'ora si imposti automaticamente. **NOTA:** Per regolare nuovamente l'ora in qualsiasi momento, tenere premuto il pulsante CLOCK per 5 secondi e regolare l'ora come sopra descritto. **NOTA:** La luce del display si spegne automaticamente dopo un minuto.

PROGRAMMAZIONE DELLA PREPARAZIONE AUTOMATICA DEL CAFFÈ (FUNZIONE TIMER)

1. Impostare l'ora esatta nell'orologio (si veda la sezione "Impostazione dell'orologio" contenuta nel presente manuale).

PROGRAMMAZIONE DELLA PREPARAZIONE AUTOMATICA DEL CAFFÈ (FUNZIONE TIMER) (cont.)

2. Premere il pulsante PROGRAM. Il simbolo dell'orologio e il display cominciano a lampeggiare.
3. Premere il pulsante CLOCK finché non viene visualizzata l'ora desiderata per la preparazione del caffè (si veda la sezione "Impostazione dell'ora" contenuta nel presente manuale).
4. Premere il pulsante ON/OFF per confermare l'ora automatica selezionata. **NOTA:** Il display e l'indicatore luminoso on/off cominciano a lampeggiare.
5. Premere il tasto PROGRAM per tornare all'ora corrente (il pulsante ON/OFF continua a lampeggiare). Il ciclo di filtrazione ha inizio quando l'ora è impostata e il pulsante ON/OFF smette di lampeggiare.
6. Per verificare l'ora automatica selezionata, premere il pulsante PROGRAM.
7. Per escludere la funzione della preparazione automatica del caffè, premere il pulsante ON/OFF. La macchina per caffè si metterà immediatamente in funzione. Premere nuovamente il pulsante ON/OFF per spegnere la macchina per caffè.

FUNZIONAMENTO DELLA MACCHINA PER CAFFÈ

PREPARAZIONE DELLA MACCHINA PER LA FILTRAZIONE DEL CAFFÈ:

1. Sistemare la macchina per caffè su una superficie piana lontano da qualsiasi bordo.
2. Collegare l'apparecchio esclusivamente a una presa da 120 V / 60 Hz.
3. Il coperchio della caraffa deve essere posizionato correttamente durante il processo di filtrazione e la caraffa deve essere appoggiata sulla piastra.
4. **ATTENZIONE:** Quando la macchina per caffè è in funzione, il coperchio deve restare completamente chiuso.

RIEMPIMENTO DEL SERBATOIO D'ACQUA E UTILIZZO DEL FILTRO DELL'ACQUA:

5. Aprire il coperchio che si trova sopra la macchina per caffè. Rimuovere il serbatoio dell'acqua.
6. Smontare il contenitore del filtro dell'acqua separando i due pezzi. Inserire il filtro nel contenitore del filtro dell'acqua. Rimontare il contenitore del filtro dell'acqua.
7. Girare la manopola sul contenitore del filtro dell'acqua allineando la lettera del mese corrente (ad es. F per "febbraio") con la freccia situata sopra la base del contenitore.
8. Inserire il contenitore del filtro dell'acqua nel serbatoio dell'acqua; collocare tale contenitore nella posizione predisposta, ossia alla base del serbatoio dell'acqua.

FUNZIONAMENTO DELLA MACCHINA PER CAFFÈ (cont.)

9. Riempire il serbatoio con la quantità desiderata di acqua fredda. Il livello dell'acqua deve essere compreso tra le tacche della tazza che indicano i livelli minimo e massimo. **NOTA:** Non superare il livello massimo (MAX). In alternativa, quando il serbatoio si trova ancora nella macchina per caffè, è possibile riempirlo utilizzando la caraffa, facendo però attenzione a non rovesciare l'acqua. Riempire la caraffa con la quantità d'acqua desiderata, poi versare con cautela l'acqua nell'apposito serbatoio.
10. Reinserire il serbatoio dell'acqua nella macchina per caffè. L'indicatore di livello dell'acqua consente di sapere quanta acqua è contenuta nel serbatoio.

NOTA: La quantità di caffè che esce a processo di filtrazione ultimato è sempre inferiore alla quantità d'acqua versata nel serbatoio, poiché una certa quantità d'acqua viene assorbita dalla polvere di caffè che viene utilizzata e dal filtro. È sufficiente aggiungere una piccola quantità di acqua in più all'inizio per ottenere il numero esatto di tazze desiderato.

PREPARAZIONE DEL CAFFÈ

1. Sollevare il portafiltro estraibile. È possibile utilizzare il filtro permanente (incluso) in alternativa o in aggiunta a un filtro di carta (non incluso). Se si utilizzano i filtri di carta, prima di riempirli con il caffè inserire nel portafiltro un filtro a cono n. 4. Riempire il filtro con la quantità di caffè necessaria.
2. Riempire il filtro con la quantità desiderata di caffè macinato. In conformità con gli standard industriali del caffè, utilizzare una misura da caffè standard (2 cucchiaini rasi) per ogni 0,3 litri d'acqua ca. Dopo aver utilizzato la macchina per caffè un certo numero di volte, è possibile regolare la quantità di caffè secondo i propri gusti, diminuendola o aumentandola.
NOTA: Utilizzare polvere di caffè preparata appositamente per macchine per caffè automatiche a filtro.
3. Posizionare nuovamente il portafiltro all'interno della macchina per caffè. Assicurarsi che il portafiltro sia posizionato correttamente nella macchina per caffè. Abbassare il coperchio che si trova sopra la macchina per caffè. **ATTENZIONE:** Non mettere in funzione la macchina per caffè se il coperchio non si chiude completamente. Nel caso, controllare che il portafiltro sia posizionato correttamente e richiudere il coperchio.
4. Regolare la manopola "ACCUFLAVOR" per cambiare il grado di aromaticità del caffè in base ai propri gusti. Girare la manopola di regolazione verso sinistra per ottenere un caffè leggero, girarla verso destra per un caffè forte (o carico).

FUNZIONAMENTO DELLA MACCHINA PER CAFFÈ (cont.)

5. Avvitare il coperchio sulla caraffa termica fino a bloccarla nella posizione corretta (la tacca sopra il coperchio deve essere sulla stessa linea della manopola). Appoggiare la caraffa sulla piastra. Per la filtrazione il coperchio deve essere completamente chiuso.
6. Collegare l'apparecchio a una presa e premere il pulsante ON/OFF.
7. Premere il pulsante ON/OFF due volte per avviare subito la filtrazione. Il pulsante ON/OFF si illumina e la macchina per caffè inizia il processo di filtrazione.

Utilizzo della funzione di preparazione automatica del caffè:

8. Per utilizzare la funzione di preparazione automatica del caffè, seguire innanzi tutto le istruzioni contenute nel presente manuale alla sezione "Programmazione della preparazione automatica del caffè". Seguire poi tutte le istruzioni del "Funzionamento della macchina per caffè" fino al punto 6 della sezione "Preparazione del caffè".
9. In pochi minuti il ciclo di filtrazione è completo e la macchina si spegne automaticamente. Il display digitale si illumina e si spegne automaticamente dopo 10 minuti. **NOTA:** Per interrompere il processo di filtrazione in qualsiasi momento, premere il pulsante ON/OFF. Il display digitale si illumina per un minuto, poi si spegne automaticamente.
10. **NOTA:** se volete versarvi una tazza di caffè prima che si sia riempita la caraffa, lo potete fare grazie alla funzione di sospensione del ciclo, che pur non interrompendo il ciclo, interrompe il fluire del caffè dal cestello nella caraffa. Non togliete la caraffa dalla piastra per più di 30 secondi per non rischiare che il caffè fuoriesca dal cestello. Nel presentare questa caratteristica, la Casa non consiglia di servire il caffè prima che il ciclo sia completato, dal momento che il caffè filtrato all'inizio del ciclo ha un sapore molto diverso da quello che si ottiene alla fine del ciclo. Di conseguenza, togliendo parte del caffè si altera il gusto di tutta la caraffa a ciclo completo.
11. Per versare il caffè a preparazione ultimata, svitare il coperchio di 180° in modo che la tacca sul coperchio sia in linea con il beccuccio. Una volta versata la quantità di caffè desiderata, riavvitare il coperchio per non disperdere il calore. Una volta ultimato il processo di filtrazione, la caraffa termica mantiene caldo il caffè.

FUNZIONAMENTO DELLA MACCHINA PER CAFFÈ (cont.)

12. Premere il pulsante ON/OFF per spegnere la macchina (OFF) quando la caraffa è vuota o la macchina non viene utilizzata. Quando il ciclo di filtrazione è ultimato, gettare il caffè utilizzato e sciacquare accuratamente con acqua il filtro permanente e il portafiltro. (Per ulteriori dettagli si veda la sezione del manuale intitolata "Pulizia della macchina per caffè".)
13. **NOTA:** Se la macchina per caffè non è stata utilizzata per un certo tempo, la prima volta metterla in funzione soltanto con acqua (senza caffè) per ripulirla. Nell'eseguire questa operazione, riempire il serbatoio dell'acqua fino alla tacca massima. **ATTENZIONE:** Mai mettere la caraffa nel forno a microonde.

CONSIGLI PER FARE UN OTTIMO CAFFÈ

1. Per ottenere un ottimo caffè, è indispensabile che la macchina sia pulita. Si consiglia di pulirla regolarmente, seguendo le istruzioni alla sezione "Pulizia della macchina da caffè" del presente manuale.
2. Usare sempre acqua fredda e corrente.
3. Il caffè macinato fine permette di essere utilizzato al massimo e dà un caffè dal sapore ricco e robusto. Se usate il caffè macinato regolare, aumentare leggermente la quantità perché il caffè abbia la stessa robustezza di quello preparato con il macinato fine.
4. Conservare il caffè al fresco e all'asciutto. Una volta aperto, chiuderlo ermeticamente e conservare in frigorifero per mantenerne la freschezza.
5. Per un eccellente caffè, comprarlo in grani e macinare prima dell'uso.
6. Non riusare i fondi del caffè, in quanto si otterrà una miscela dal sapore spento.
7. Non si consiglia di riscaldare il caffè, che è all'apice del suo sapore appena è preparato.
8. Le piccole gocce di olio visibili in superficie sono prodotti dal macinato. I caffè ad alta torrefazione presentano un maggior livello di oleosità, che però potrebbe anche essere causato dalla macchina sporca.

INDICATORE DI DECALCIFICAZIONE



1. Dopo circa 100 cicli di filtrazione, la macchina per caffè segnala automaticamente quando necessita di pulitura. Sul display digitale compaiono di volta in volta una serie di linee continue. Quando compaiono sul display 4 linee che cominciano a lampeggiare, è il momento di pulire manualmente la macchina per caffè.

INDICATORE DI DECALCIFICAZIONE (cont.)

2. Per la decalcificazione della macchina, seguire le istruzioni 8 e 9 alla sezione "Pulizia della macchina per caffè" del presente manuale.
3. Per reimpostare la macchina, premere per due secondi il pulsanti CLOCK e PROGRAM.

PULIZIA DELLA MACCHINA DEL CAFFÈ

1. **ATTENZIONE:** Si raccomanda di togliere la spina prima di pulire la macchina per caffè. Per evitare il rischio di scosse elettriche non immergere il cavo, la spina o la macchina per caffè in acqua o in altri liquidi.
2. Per pulire l'esterno della macchina per caffè utilizzare un panno morbido inumidito di acqua. **ATTENZIONE:** Non immergere la macchina in acqua o in altri liquidi.
3. Per pulire l'interno della macchina per caffè utilizzare un panno inumidito con un detergente delicato. Non utilizzare sulla caraffa forti abrasivi o pagliette che ne righerebbero la superficie.
4. Il coperchio della caraffa, il portafiltro rimovibile e il contenitore del filtro dell'acqua possono essere sciacquati in acqua calda cui è stato aggiunto un po' di sapone. Sciacquare e asciugare accuratamente. Non utilizzare la lavastoviglie per lavare le varie parti della macchina per caffè.
5. Per pulire il filtro permanente togliere i chicchi e lavare bene.
6. Non pulire l'interno del serbatoio d'acqua con un panno che potrebbe perdere residui di lanugine, i quali potrebbero poi ostruire la macchina per caffè.
7. Per le macchie "ostinate", utilizzare una paglietta di nylon o plastica con un detergente non abrasivo (soltanto nella parte interna della macchina per caffè). Non utilizzare pagliette o detersivi abrasivi.

Decalcificazione

8. I depositi di calcio possono accumularsi nella macchina per caffè come risultato dei minerali che si trovano solitamente nell'acqua potabile. La formazione di calcare è un fenomeno normale e può causare un rallentamento del processo di filtrazione della macchina per caffè. Una decalcificazione periodica della macchina per caffè può evitare che si verifichino rallentamenti. **NOTA:** Prima di effettuare la decalcificazione, rimuovere sempre il filtro dell'acqua e il relativo contenitore.
9. Per effettuare la decalcificazione riempire la caraffa con acqua fredda e due cucchiaini da tavola di aceto bianco. Versare la soluzione nel serbatoio d'acqua e chiudere il coperchio. Appoggiare la caraffa sulla piastra e lasciar filtrare la soluzione con l'aceto. Durante la decalcificazione non utilizzare alcun filtro nel portafiltro. Una volta che la soluzione con l'aceto è stata filtrata, svuotare la caraffa e lavare con acqua fredda. Riempire il serbatoio d'acqua con acqua fredda ed eseguire un nuovo ciclo di filtrazione per eliminare qualsiasi residuo della soluzione con aceto. Ripetere se necessario.

Filtro dell'acqua

10. Dopo 70 cicli di filtrazione oppure dopo un mese di utilizzo (a seconda di quale dei due casi si verifichi per primo), gettare il filtro dell'acqua e sostituirlo.

This warranty applies to all products with De'Longhi or Kenwood brand names.

Limited Warranty

What does the warranty cover?

We warrant each appliance to be free from defects in material and workmanship. Our obligation under this warranty is limited to repair at our factory or authorized service center of any defective parts or part thereof, other than parts damaged in transit. In the event of a products replacement or return, the unit must be returned transportation prepaid. The repaired or new model will be returned at the company expense. This warranty shall apply only if the appliance is used in accordance with the factory directions, which accompany it, and on an Alternating current (AC) circuit.

How long does the coverage last?

This warranty runs for one year (1) from the purchase date found on your receipt and applies only to the original purchaser for use.

What is not covered by the warranty?

The warranty does not cover defects or damage of the appliance, which result from repairs or alterations to the appliance outside our factory or authorized service centers, nor shall it apply to any appliance, which has been subject to abuse, misuse, negligence or accidents. Also, consequential and incidental damage resulting from the use of this product or arising out of any breach of contract or breach of this warranty are not recoverable under this warranty. Some states do not allow the exclusion or limitation of incidental or consequential damage, so the above limitation may not apply to you.

How do you get service?

If repairs become necessary, see contact information below:

U.S. Residents:

Please contact our toll free hotline at 1-800-322-3848 or log onto our website at www.delonghi.com.

For all accessories, spare parts or replacement parts, please contact our parts division at 1-800-865-6330.

Residents of Canada: Please contact our toll free hotline at 1-888-335-6644 or log onto our website at www.delonghi.com.

Residents of Mexico: Please refer to the Limited Warranty statement for Mexico.

Please refer to the back page of the manual for De'Longhi addresses.

The above warranty is in lieu of all other express warranties and representations. All implied warranties are limited to the applicable warranty period set forth above. This limitation does not apply if you enter into an extended warranty with De'Longhi. Some states do not allow limitations on how long an implied warranty lasts, so the above exclusions may not apply to you. De'Longhi does not authorize any other person or company to assume for it any liability in connection with the sale or use of its appliance.

How does state law apply?

This warranty gives you specific legal rights, and you may also have other rights, which vary from state to state.

Cette garantie s'applique à tous les appareils ménagers de marques De'Longhi ou Kenwood.

Garantie limitée

Qu'est-ce qui est couvert par la garantie?

Nous garantissons que chaque appareil est exempt de vices de matériaux et de fabrication. Notre obligation, dans le cadre de cette garantie, est limitée à la réparation, à notre usine ou dans un centre de réparation agréé, de toutes les pièces défectueuses ou leurs composants. En cas de remplacement ou retour d'un produit, il doit être retourné tout port payé. Le modèle neuf ou réparé sera retourné aux frais de la société. Cette garantie ne s'applique que dans les cas où l'appareil est utilisé conformément aux instructions de l'usine qui l'accompagnent et sur un circuit électrique à courant alternatif (c.a.).

Combien de temps dure la garantie?

Cette garantie dure une (1) année à partir de la date d'achat indiquée sur votre reçu et s'applique uniquement à l'acheteur initial pour l'utilisation.

Qu'est ce qui n'est pas couvert par cette garantie?

Cette garantie ne couvre ni les défauts ou dégâts résultant de réparations ou altérations apportées à l'appareil en dehors de notre usine ou des centres de réparation agréés ni les appareils qui ont été soumis à un mauvais traitement, une mauvaise utilisation, une négligence ou des accidents. En outre, les dommages-intérêts directs ou indirects résultant de l'utilisation de ce produit ou de la rupture d'un contrat ou du non-respect de cette garantie ne sont pas recouvrables dans le cadre de cette garantie. Certains états ou provinces n'autorisent pas l'exclusion ou la limitation des dommages-intérêts directs ou indirects. Par conséquent, la limitation ci-dessus peut ne pas s'appliquer à vous.

Comment faire réparer l'appareil?

Si des réparations s'avèrent nécessaires, consultez les informations ci-dessous :

Résidents des États-Unis : Veuillez appeler notre ligne d'assistance sans frais au 1-800-322-3848 ou connectez-vous à notre site Web à www.delonghi.com. Pour tous les accessoires, les pièces détachées et les pièces de rechange, veuillez contacter notre service des pièces détachées au 1-800-865-6330.

Résidents du Canada : Veuillez appeler notre ligne d'assistance sans frais au 1-888-335-6644 ou connectez-vous à notre site Web à www.delonghi.com.

Résidents du Mexique : Veuillez consulter la déclaration de garantie limitée pour le Mexique.

Autres pays : Veuillez visitez www.delonghi.com.

Veuillez consulter le dos du manuel pour connaître les adresses de De'Longhi.

La garantie ci-dessus remplace toutes les autres garanties et représentations explicites. Toutes les garanties implicites sont limitées à la période de garantie applicable établie ci-dessus. Cette limitation ne s'applique pas si vous concluez un contrat d'extension de garantie avec De'Longhi. Certains états ou provinces n'autorisent pas les limitations sur la durée des garanties implicites. Par conséquent, les exclusions ci-dessus peuvent ne pas s'appliquer à vous. De'Longhi n'autorise aucune personne ni société à assumer des responsabilités en association avec la vente ou l'utilisation de ses appareils.

Comment s'appliquent les lois de l'état ou de la province?

Cette garantie vous donne des droits juridiques précis et vous pouvez également avoir d'autres droits qui peuvent varier d'un état à un autre ou d'une province à une autre.

Esta garantía cubre todos los productos con las marcas De'Longhi o Kenwood.

Garantía limitada **(para los Estados Unidos solamente)**

Alcance de la garantía

Cada artefacto tiene garantía por defectos de materiales y de fabricación. Bajo los términos de esta garantía limitada, nuestra obligación se limita a la reparación de partes o componentes (a excepción de partes dañadas durante el transporte) en nuestra fábrica o en un centro autorizado de servicio. Al devolver un producto para cambio o reparación, todos los costos de envío deben ser pagados por el propietario del mismo. El producto nuevo o reparado será devuelto con los gastos de envío pagados por la compañía.

Esta garantía es válida únicamente si el artefacto se utiliza de acuerdo con las instrucciones del fabricante (incluidas con el artefacto) y alimentada eléctricamente con corriente alterna (CA).

Duración de la garantía

Esta garantía es válida por un (1) año a partir de la fecha de compra que figura en el recibo o factura de venta de la unidad, y sólo el comprador original tiene derecho a hacer uso de la garantía.

Exclusiones de la garantía

La garantía no cubre defectos ni daños que fueran consecuencia de reparaciones o modificaciones efectuadas al artefacto por personal ajeno a nuestra fábrica o a centros autorizados de servicio, ni cubre fallas o daños causados por maltrato, uso indebido, negligencia o accidentes. Esta garantía tampoco reconocerá reclamos efectuados por perjuicios directos ni indirectos emergentes del uso del producto, ni perjuicios o daños resultantes del uso del producto en incumplimiento de los términos y condiciones que hacen válida la garantía. En algunos estados no se permiten exclusiones ni limitaciones de los perjuicios reconocidos por una garantía, por lo cual las limitaciones mencionadas podrían ser no válidas en su caso particular.

Obtención de servicios de garantía

Si las reparaciones son necesarias, vea la información de contacto que aparece a continuación:

Residentes de los Estados Unidos: Por favor contactar a nuestra línea telefónica gratuita, al 1-800-322-3848 o ingrese a nuestro sitio en el Internet www.delonghi.com. Para todos los accesorios, piezas de repuesto o de reemplazo, por favor contactar a nuestra división de piezas, al 1-800-865-6330.

Residentes de Canadá: Por favor contactar a nuestra línea telefónica gratuita, al 1-888-335-6644 o ingrese a nuestro sitio en el Internet www.delonghi.com <<http://www.delonghi.com/>>.

Residentes de México: Refiera por favor a la garantía limitada para México.

Por favor vea la página trasera donde encontrará las direcciones de De'Longhi.

La garantía explicada anteriormente se ofrece en reemplazo de cualquier otra garantía, sea expresa u ofrecida de cualquier otra manera, y toda garantía implícita del producto estará limitada al periodo de duración mencionado anteriormente. Esta limitación queda anulada y es reemplazada por otros términos si el usuario decide obtener una garantía prolongada de De'Longhi. En algunos estados no se permiten limitaciones del periodo de garantía implícita, por lo cual las limitaciones mencionadas anteriormente podrían no ser válidas en su caso particular. De'Longhi no autoriza a ninguna otra persona ni compañía a ofrecer ningún tipo de garantía ni responsabilidad con respecto al uso o a los términos de venta de sus artefactos.

Leyes estatales/provinciales

Esta garantía le confiere derechos establecidos por ley, pero usted también podría tener otros derechos que varían de un estado a otro.

Esta garantía cubre todos los productos con las marcas De'Longhi o Kenwood.

GARANTIA

Garantizamos todo producto DE'LONGHI por defectos de fabricación, material y mano de obra. Nuestra obligación dentro de ésta garantía es proporcionar gratuitamente las refacciones y el servicio durante un año a partir de la fecha de compra. Esta garantía se aplicará únicamente si el producto se utiliza de acuerdo con las instrucciones anexas del fabricante y con un circuito de corriente alterna (ca). Esta garantía reemplaza a cualquier otra garantía y acuerdo, expreso o implícito y a todas las demás obligaciones o responsabilidades de nuestra parte. No autorizamos a ninguna otra persona o compañía a asumir nuestras responsabilidades relacionadas con la venta y el uso de nuestro producto. Esta garantía no implica ninguna responsabilidad de parte nuestra en relación con la venta o el uso de nuestro producto.

Esta garantía no se hará válida en los siguientes casos:

- a) Cuando el producto se hubiese utilizado en condiciones distintas a las normales
- b) Cuando el producto no hubiese sido operado de acuerdo con el instructivo de uso que se le acompaña
- c) Cuando el producto hubiese sido alterado o reparado por personas no autorizadas por el fabricante nacional, importador o comercializador responsable respectivo.

Para hacer efectiva la garantía o si se necesitan reparaciones o refacciones, componentes, combustibles y accesorios llame, con su garantía sellada por el establecimiento, al Centro Nacional de Servicio para proporcionarle una cuenta de mensajería con la cual deberá remitir el producto y garantía. Los gastos que se deriven del cumplimiento de la presente garantía deberán ser absorbidos por el Centro Nacional de Servicio De'Longhi.

Obtención de servicios de garantía

Si las reparaciones son necesarias, vea la información de contacto que aparece a continuación:

Residentes de los Estados Unidos:

Por favor contactar a nuestra línea telefónica gratuita, al 1-800-322-3848 o ingrese a nuestro sitio en el Internet www.delonghi.com.

Para todos los accesorios, piezas de repuesto o de reemplazo, por favor contactar a nuestra división de piezas, al 1-800-865-6330.

Residentes de Canadá: Por favor contactar a nuestra línea telefónica gratuita, al 1-888-335-6644 o ingrese a nuestro sitio en el Internet www.delonghi.com <<http://www.delonghi.com/>>.

Residentes de México: Por favor contactar a nuestra línea telefónica gratuita, al 01-800-711-88-05 (lada sin costo) / 56-62-53-68 y 69 (D.F.) o ingrese a nuestro sitio en el Internet www.delonghi.com <<http://www.delonghi.com/>>.

Centro Nacional de Servicio:

Fiducia Italiana S.A. de C.V.

Hortencia 129 Col. Florida

México D.F., C.P. 01030

FECHA DE COMPRA

Questa garanzia e' applicabile a tutti i piccoli elettrodomestici a marchio Kenwood o De'Longhi.

Garanzia limitata

Copertura della garanzia

De'Longhi garantisce che ciascun prodotto è esente da difetti di materiale e di fabbricazione. La presente garanzia è limitata alla riparazione delle parti difettose o delle loro componenti presso la nostra fabbrica o presso un centro di assistenza autorizzato, ad eccezione delle parti danneggiate durante la spedizione. Nel caso di sostituzione o restituzione di un prodotto, l'unità deve essere restituita con trasporto prepagato. Il modello riparato o nuovo verrà restituito a spese dell'azienda.

La presente garanzia ha validità solamente nel caso in cui il prodotto venga utilizzato in conformità con le istruzioni di fabbrica con cui viene venduto, e su un circuito a corrente alternata (c.a.).

Durata della garanzia

La presente garanzia ha validità di un anno (1) dalla data di acquisto riportata sulla prova d'acquisto ed è riconosciuta esclusivamente all'acquirente originale per l'uso.

Limitazioni della garanzia

La garanzia non copre difetti o danni del prodotto dovuti a riparazioni o alterazioni eseguite al di fuori della fabbrica o dai centri di assistenza autorizzati, né si applica a prodotti danneggiati da abuso, uso improprio, negligenza o incidente. Inoltre, i danni consequenziali ed incidentali derivanti dall'uso di questo prodotto o da una qualsiasi violazione del contratto o di questa garanzia non sono coperti da quest'ultima. Alcune giurisdizioni non consentono l'esclusione o la limitazione di danni incidentali o consequenziali; in tal caso, le limitazioni o esclusioni di cui sopra non saranno applicabili

Come ottenere servizi di assistenza

Nel caso occorra fare delle riparazioni, rivolgersi al servizio informazioni:

Residenti negli USA: Contattare il servizio di assistenza telefonica gratuito al numero 1-800-322-3848 oppure collegarsi all'indirizzo internet www.delonghi.com. Per tutti gli accessori, i componenti o i pezzi di ricambio, contattare il reparto componenti al numero 1-800-865-6330.

Residenti in Canada: Contattare il servizio di assistenza telefonica gratuito al numero 1-888-335-6644 oppure collegarsi all'indirizzo internet www.delonghi.com.

Residenti in Messico: Riferirsi alle condizioni di garanzia limitata riportate nella sezione per il Messico.

Residenti in altri paesi: Vogliate visitare il nostro sito internet www.delonghi.com.

Per gli indirizzi di De'Longhi si prega di vedere la pagina posteriore del manuale.

La garanzia sopra riportata è esclusiva e sostituisce qualsiasi altra garanzia, espressa o implicita. Eventuali garanzie implicite previste dalle leggi vigenti saranno soggette ai limiti di durata stabiliti dalla garanzia. Il limite non si applica nel caso di un'estensione della garanzia con De'Longhi. Alcune giurisdizioni non consentono l'esclusione o la limitazione della durata delle garanzie implicite; in tal caso, le limitazioni di cui sopra non saranno applicabili. De'Longhi non autorizza alcuna persona o società ad assumersi qualsivoglia responsabilità relativamente alla vendita o all'uso dei propri prodotti.

Applicazione delle leggi dei singoli stati

La presente garanzia concede diritti legali specifici oltre a quelli eventualmente previsti dalla legislazione vigente nei vari stati.



Living innovation

DCM485 Series / DCM485 Séries
Series DCM485 / Serie DCM485

Made in PRC / Fabriqué en RPC
Fabricado en la RPC / Fabricato nella RPC

Power Requirement: 120 Volts / 60 Hz
Caractéristiques électriques: 120 Volts / 60 Hz
Alimentación eléctrica: 120 Voltios / 60 Hz
Per uso con corrente: 120 Volt / 60 Hz

www.delonghi.com

De'Longhi America, Inc.
Park 80 West, Plaza One
Saddle Brook, NJ 07663
1-800-322-3848

De'Longhi Canada, Inc.
6150 McLaughlin Rd.
Mississauga, Ontario
L5R 4E1 Canada
1-888-335-6644

©De'Longhi 2004