

2		Overload
	1156449	Production
	1161170	Production
3	708531	Bend, Return Evaporator (6) Condenser (5)
4	49599	Strainer
5	950855	Tube & Strainer (Includes Illus. 4)
6	1162775	Tube, Restrictor
7	1158524	Blade, Fan
9	855930	Clamp, Tube
10	1160123	Motor, Fan
11	488130	Nut, Hex 8-32 (4)
12	1163389	Tube, Discharge
13	1161721	Evaporator
14	950037	Gasket
15	1155568	Spring, Overload
16	996773	Anticipator
17	475577	Clip, Anticipator
18	1157926	Base
19	857547	Cable, Tie
20	484136	Harness, Wiring
21	1162776	Condenser
22	950212	Grommet (3)
23	1162344	Dampener-5/16
24	858122	Locknut (3)
25	1155570	Gasket, Terminal Cover
26	489108	Washer (3)
27	1163904	Tube, Suction
28	1155569	Cover, Terminal
29	950027	Nut Hex 5 - 8 mm.
30	1162616	Seal, Anti-Rub
31	1163963	Tube, Condenser Extension
32	947364	Tube, Flow Divider
33	1160617	Sealer, Tube
34	1159443	Seal, Foam
35	949634	Clip, Mtg (2) (Cabinet-Front)
36	708532	Bend, Return (1)
39	1161180	Compressor Assembly
40	1160094	Blade, Fan
43	488480	Screw, 8 x 1/2

#### LITERATURE PARTS

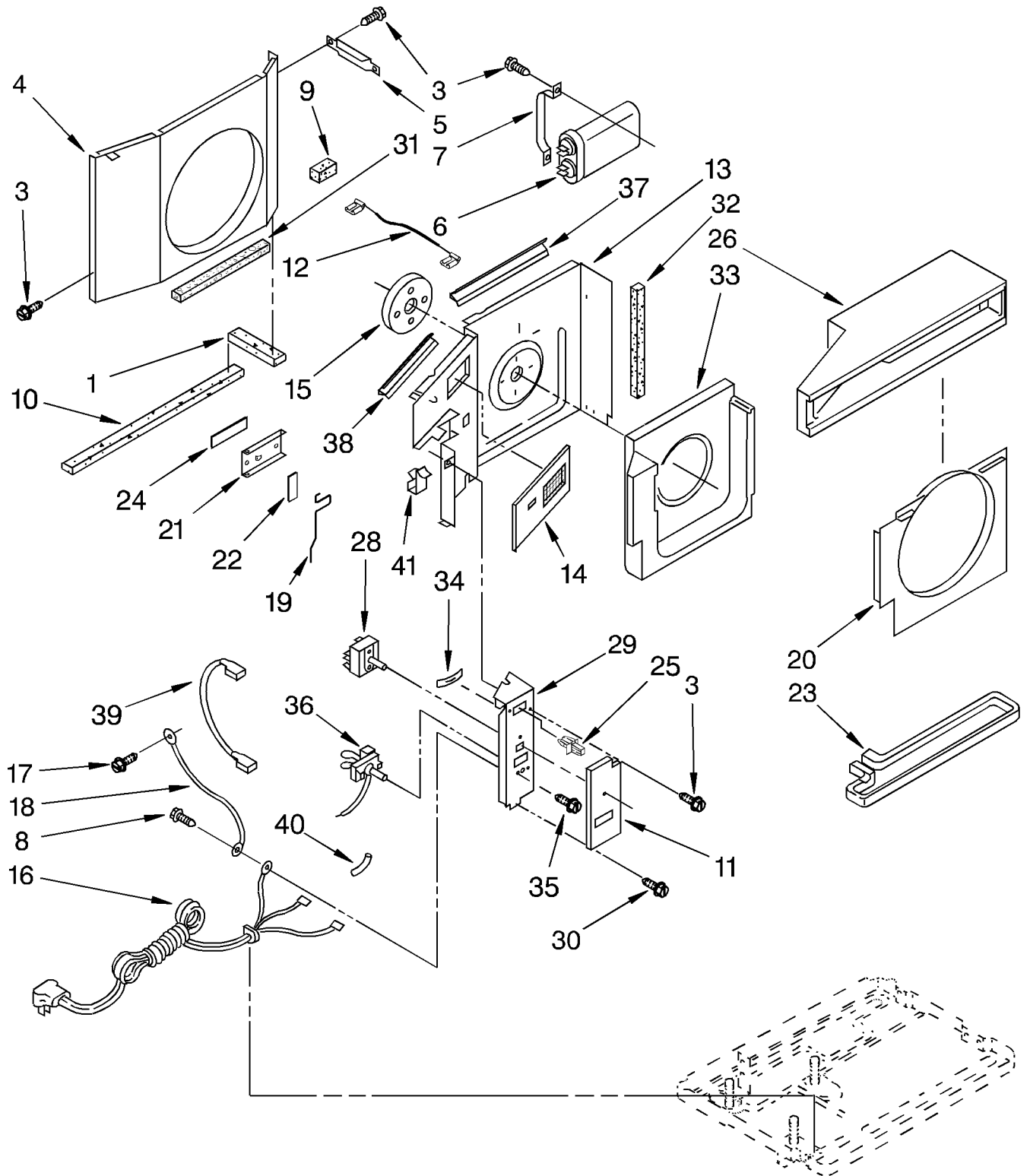
LIT1159431	Tech Sheet
LIT950222	Wiring Diagram
LIT1161896	Instructions, Installation
LIT1159801	Guide, Use & Care

REFRIGERANT CHARGE 10.0 OZ.

1	646870	Seal, Condensate
3	488480	Screw, 8 x 1/2
4	1157908	Shroud, Condenser
5	649879	Support, Unit
6	952086	Capacitor, Running
7	856105	Bracket, Capacitor
8	1159222	Screw
9	857923	Seal, Shroud R.S.
10	1158295	Seal, Strip
11	1157945	Insulation, Control Panel
12	1160302	Wire, Asy.
13	1158284	Wall, Dividing
14	1162876	Screen/Insul. Asy
15	1158469	Insulation, Motor
16	647216	Cord, Appliance
17	488624	Screw, ST 8-32 x 3/8
18	856094	Wire, Ground
19	1157947	Arm, Exhaust Door
20	1159348	Shroud, Evaporator
21	1158280	Door, Exhaust
22	1159175	Spacer
23	1159428	Pan, Evaporator
24	1158323	Barrier, Protector
25	953066	Actuator, Door
26	1159349	Hood, Air Housing
28	950519	Switch, Rotary
29	1158285	Panel, Control
30	1161561	Screw, 3/8 (2)
31	852063	Seal, Condensate
32	1158850	Seal, Side
33	1159346	Housing, Air
34	858765	Spring Detent
35	488734	Screw 6-32 x .175
36	950403	Control, Temperature
37	1161209	Edge, Guard Seal
38	1161208	Edge, Guard Seal
39	1158937	Wire, Jumper
40	475841	Insulator, Sleeve Temp. Control
41	852451	Clamp, Wiring

# AIR FLOW AND CONTROL PARTS

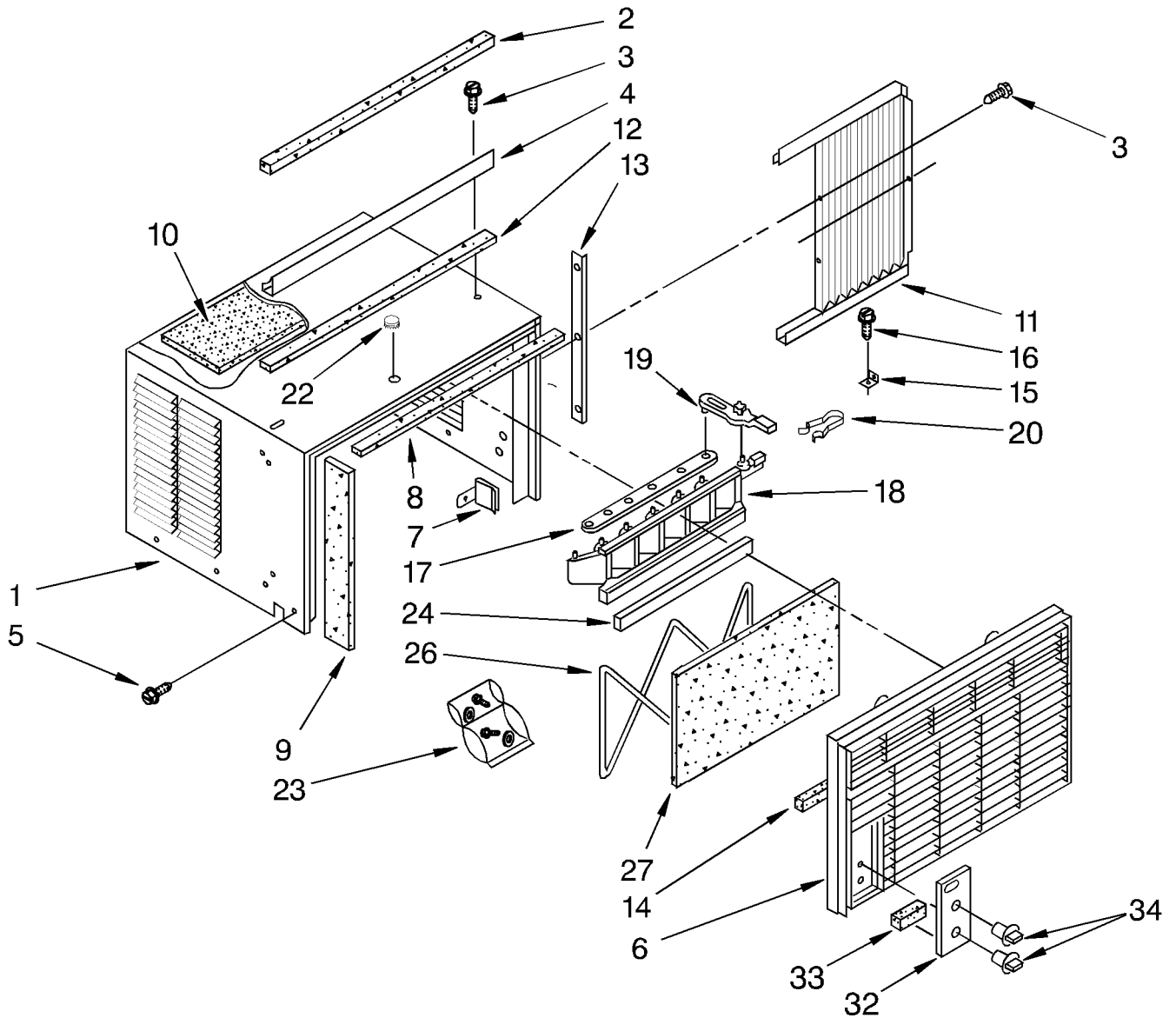
For Model: BHAC0500XS5



1	1157939	Cabinet
2	469877	Gasket, Meeting Rail
3	488720	Screw, 10 x 1/2
4	993849	Channel, Top
5	1157158	Screw, ST 8-32 x 3/8 (6)
6	1159799	Front, Cabinet
7	1158294	Clip, Vertical Louver
8	1159283	Seal, Top
9	950169	Insulation, Side
10	1157942	Insulation, Top
11		Curtain
	1162961	Right Side
	1162963	Left Side
12	856990	Seal, Strip
13	646160	Retainer, Curtain
14	949090	Seal, Cabinet Front
15	644228	Bracket, Window
16	488255	Screw, 8 x 3/4
17	645684	Link, Louver
18	1158325	Louver, Vertical
19	645683	Handle, Louver
20	641484	Spring, Detent (1)
23	476180	Bag, Accessory
22	1157126	Cover, Hole
23	476180	Bag, Accessory
24	855238	Seal, Vertical Louver
26	646963	Retainer, Filter
27	852344	Filter
32	1159797	Plate, Escutcheon
33	646318	Spacer, Escutcheon
34	1158639	Knob, Control (2)

# CABINET PARTS

For Model: BHAC0500XS5



1	1157939	Cabinet
2	469877	Gasket, Meeting Rail
3	488720	Screw, 10 x 1/2
4	993849	Channel, Top
5	1157158	Screw, ST 8-32 x 3/8 (6)
6	1159799	Front, Cabinet
7	1158294	Clip, Vertical Louver
8	1159283	Seal, Top
9	950169	Insulation, Side
10	1157942	Insulation, Top
11		Curtain
	1162961	Right Side
	1162963	Left Side
12	856990	Seal, Strip
13	646160	Retainer, Curtain
14	949090	Seal, Cabinet Front
15	644228	Bracket, Window
16	488255	Screw, 8 x 3/4
17	645684	Link, Louver
18	1158325	Louver, Vertical
19	645683	Handle, Louver
20	641484	Spring, Detent (1)
23	476180	Bag, Accessory
22	1157126	Cover, Hole
23	476180	Bag, Accessory
24	855238	Seal, Vertical Louver
26	646963	Retainer, Filter
27	852344	Filter
32	1159797	Plate, Escutcheon
33	646318	Spacer, Escutcheon
34	1158639	Knob, Control (2)

# OPTIONAL PARTS (NOT INCLUDED)

For Model: BHAC0500XS5

