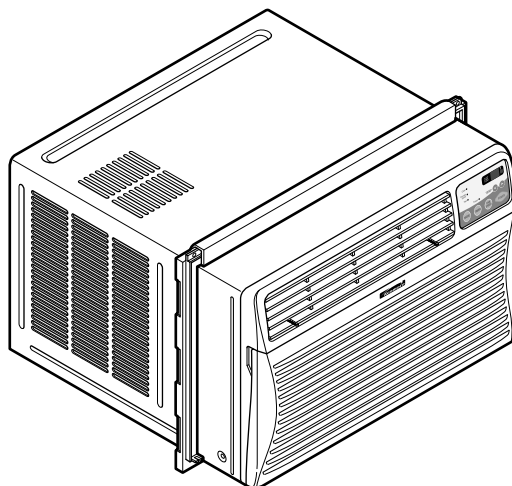


SEARS

Kenmore®
ROOM AIR CONDITIONER

**REPAIR
PARTS
LIST**

Model No.
580.74229400



The model number of your Air Conditioner can be found on the right side of the cabinet.

All repair parts listed are available for immediate purchase or special order when you visit your nearest Sears Service Center, or the Service Department at most Sears stores. To order parts by phone, call the toll free parts number listed to the left.

When requesting service or ordering parts, always provide the following information:

- ◆ Product Type
- ◆ Part Number
- ◆ Model Number
- ◆ Part Description

To Call
Toll Free
For Parts:

1-800-366-PART
(1-800-366-7278)

For Service:

1-800-4-MY-HOME
(1-800-469-4663)

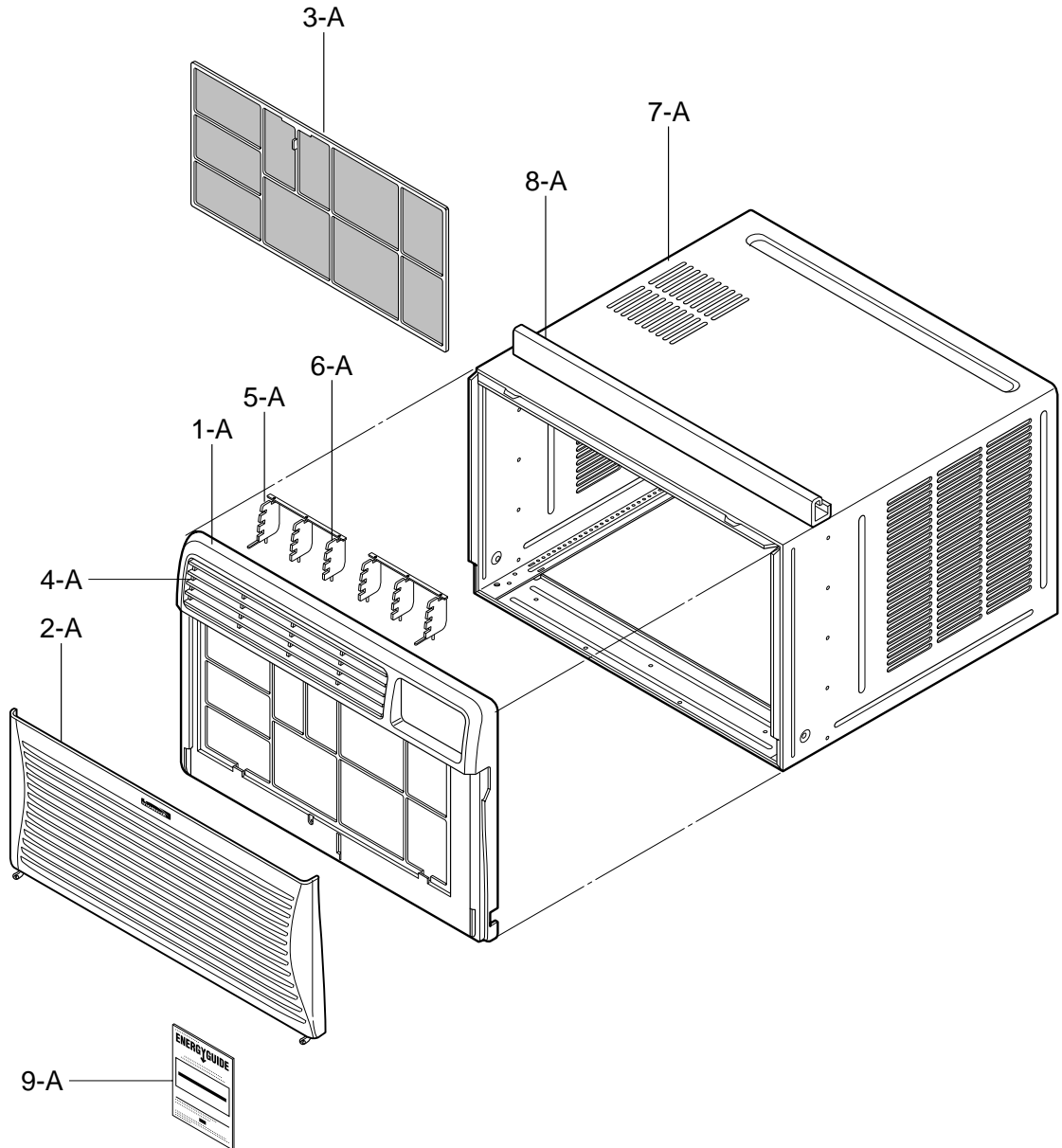
REPAIR PARTS

Room Air Conditioner
Model No. 580.74229400

To order Parts call Toll Free
1-800-4-MY-HOME®(1-800-469-4663)

CAUTION: Use the Kenmore part number on all orders, **not** the illustration number.

CABINET & FRONT GRILLE ASSEMBLY



CAUTION: Use the Kenmore part number on all orders, **not** the illustration number.

CABINET & FRONT GRILLE ASSEMBLY

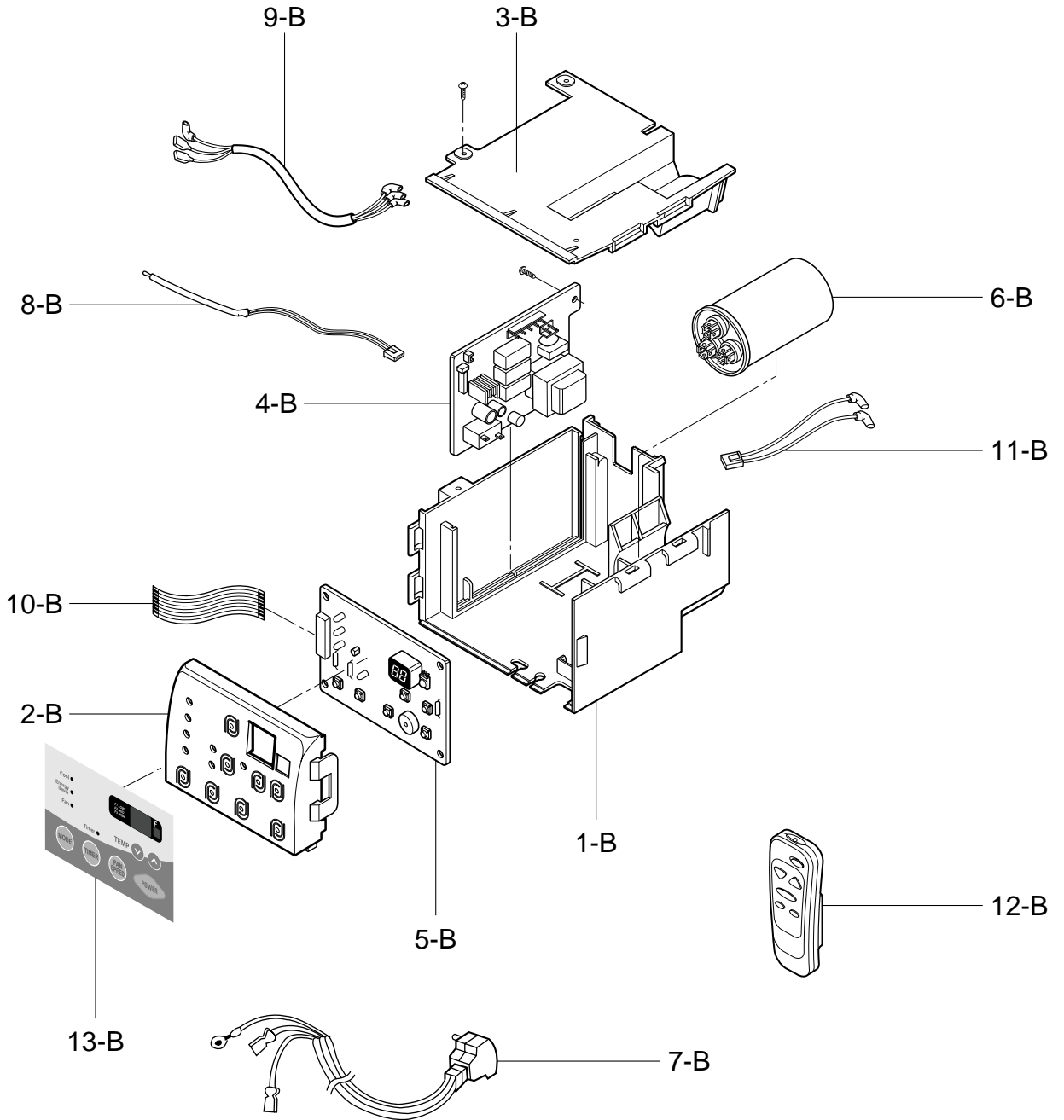
ILLUSTRATION NUMBER	PART NUMBER	DESCRIPTION
1 - A	3530A10240A	FRONT GRILLE
2 - A	3530A10241A	INLET GRILLE
3 - A	5231A20027A	AIR FILTER ASSEMBLY
4 - A	4758A30047A	VANE
5 - A	4758A30050A	LOUVER
6 - A	4758A30050B	LOUVER
7 - A	3091A10064B	CABINET ASSEMBLY
8 - A	2H00858E	UPPER GUIDE
9 - A	3850A20783U	LABEL, ENERGY
*	3828A20307W	MANUAL OWNER'S

= Functional Parts

* = Non-illustrated Parts

CAUTION: Use the Kenmore part number on all orders, **not** the illustration number.

CONTROL BOX ASSEMBLY



CAUTION: Use the Kenmore part number on all orders, **not** the illustration number.

CONTROL BOX ASSEMBLY

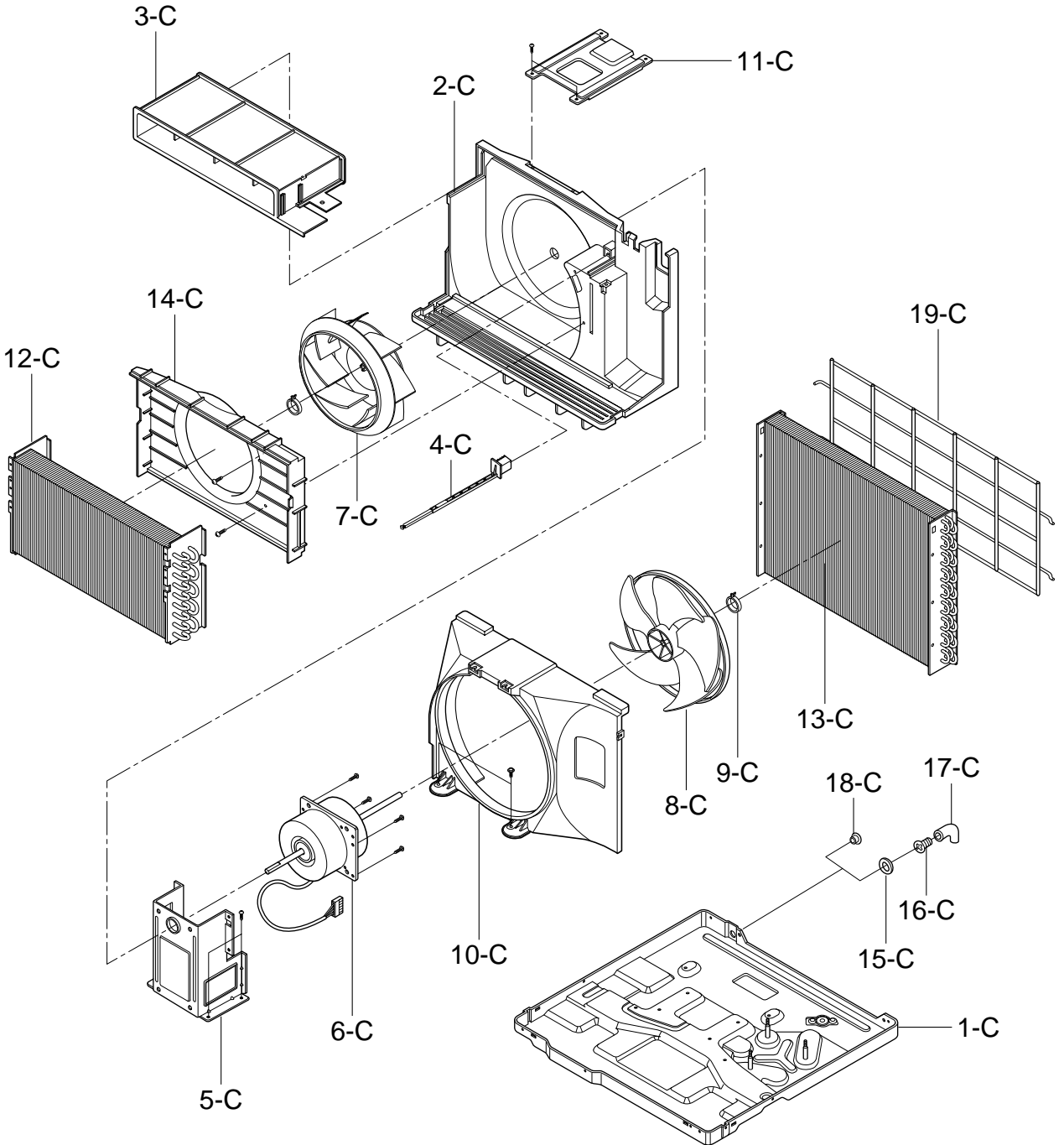
ILLUSTRATION NUMBER	PART NUMBER	DESCRIPTION
1 - B #	4994A20045A	CONTROL BOX
2 - B	3720A10112A	PANEL, CONTROL
3 - B	3550A30122B	COVER, CONTROL BOX
4 - B	6871A20167D	PWB ASSEMBLY, MAIN
5 - B #	6871A20325E	PWB ASSEMBLY, DISPLAY
6 - B	6120AR2194Q	CAPACITOR
7 - B	6411A20015L	POWER CORD ASSEMBLY
8 - B	6323A20004E	THERMISTOR ASSEMBLY
9 - B	6877A20002G	CONNECTOR ASSEMBLY
10 - B	6850A90001G	CABLE FLAT
11 - B	6631A30003A	CONNECTOR ASSEMBLY
12 - B	6711A20056T	REMOTE CONTROL
13 - B	3831A20097E	ESCUTCHEON

= Functional Parts

* = Non-illustrated Parts

CAUTION: Use the Kenmore part number on all orders, **not** the illustration number.

AIR HANDLING & CYCLE PARTS



CAUTION: Use the Kenmore part number on all orders, **not** the illustration number.

AIR HANDLING & CYCLE PARTS

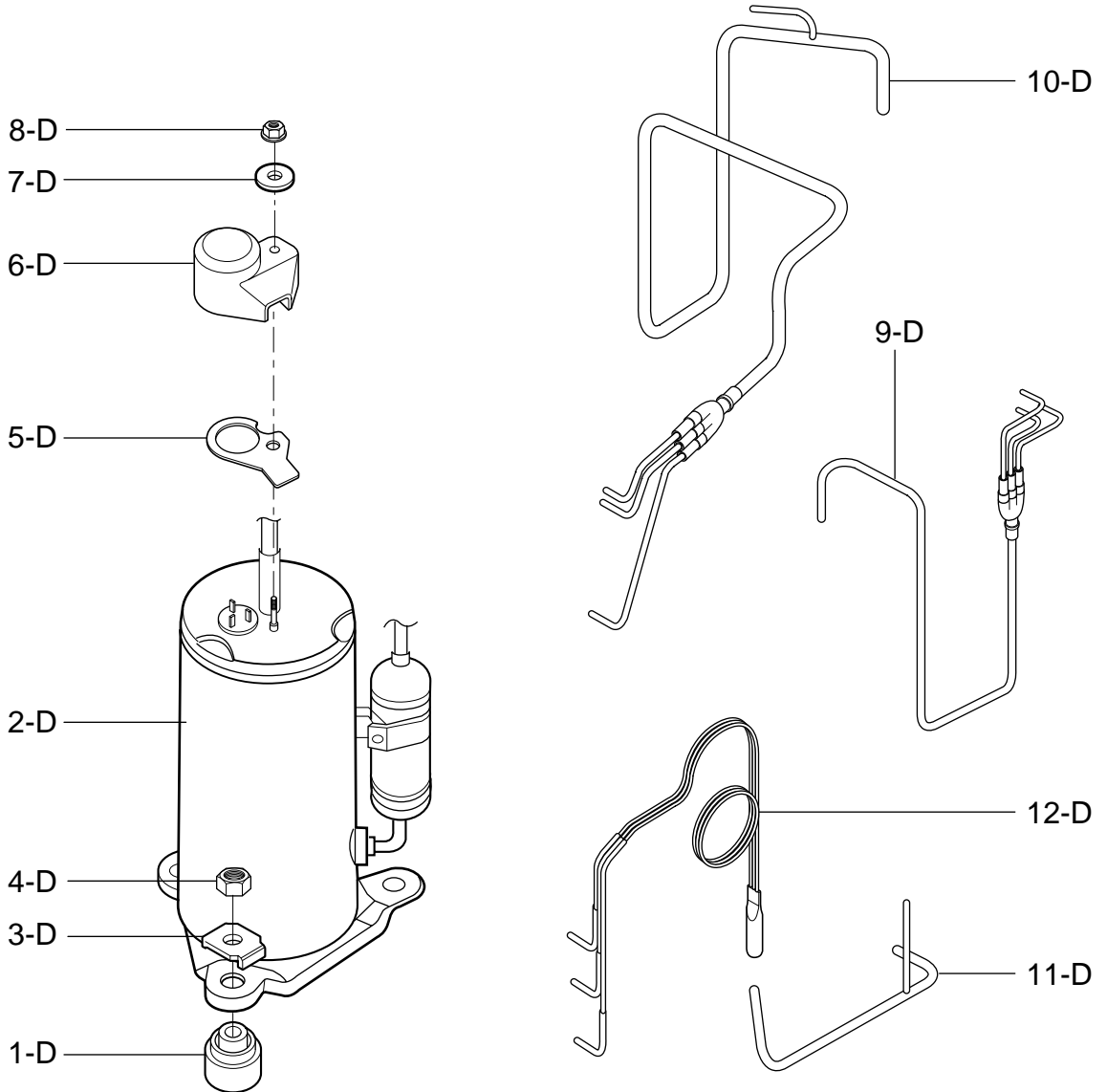
ILLUSTRATION NUMBER	PART NUMBER	DESCRIPTION
1 - C	3041A10050B	BASE PAN WELD ASSEMBLY
2 - C	5238A10022A	AIR GUIDE LOWER
3 - C	5238A10021A	AIR GUIDE UPPER
4 - C	4900A20016A	DAMPER
5 - C	4960A20056A	MOTOR MOUNT
6 - C	4681A20043K	MOTOR ASSEMBLY
7 - C	# 5900A20045B	TURBO FAN
8 - C	# 5900A10011A	AXIAL FAN
9 - C	# 3H02932C	CLAMP SPRING
10 - C	4998A10035A	SHROUD
11 - C	4800A20001A	BRACE
12 - C	5421A20186A	EVAPORATOR ASSEMBLY
13 - C	# 5403A20182B	CONDENSER ASSEMBLY
14 - C	# 4948A10024A	ORIFICE
15 - C	4H01029F	WASHER RUBBER
16 - C	3H02773A	DRAIN PIPE
17 - C	4H00261A	PIPE ELBOW
18 - C	4H02023A	HOLE RUBBER
19 - C	3530A20042D	GRILLE, REAR

= Functional Parts

* = Non-illustrated Parts

CAUTION: Use the Kenmore part number on all orders, **not** the illustration number.

COMPRESSOR PARTS



CAUTION: Use the Kenmore part number on all orders, **not** the illustration number.

COMPRESSOR PARTS

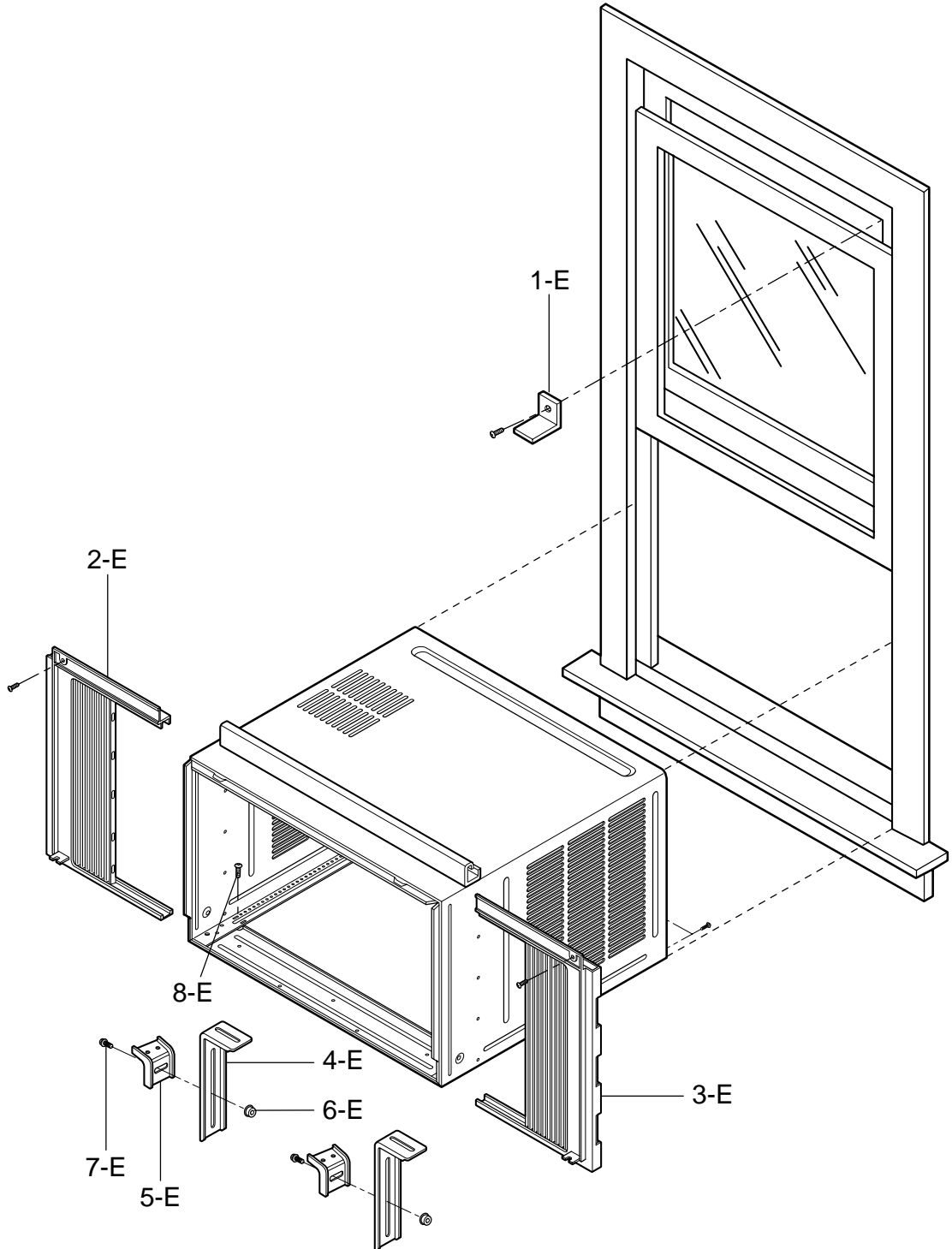
ILLUSTRATION NUMBER	PART NUMBER	DESCRIPTION
1 - D	5014A20003A	ISOLATOR, COMP
2 - D #	2520UMBK1MA	COMPRESSOR
3 - D	4H01811C	BRACKET, WASHER
4 - D	1NHA0801206	HEXAGON NUTS
5 - D	4986U-L001G	GASKET
6 - D	3550U-L004A	TERMINAL COVER
7 - D	4H01058A	GASKET NUT
8 - D	4H00947A	TERMINAL COVER NUT
9 - D	5211A12003B	TUBE ASSEMBLY DISCHARGE
10 - D	5211A12002B	TUBE ASSEMBLY SUCTION
11 - D	5211A12004A	TUBE, FORMED
12 - D	5211A22014B	TUBE ASSEMBLY CAPILLARY

= Functional Parts

* = Non-illustrated Parts

CAUTION: Use the Kenmore part number on all orders, **not** the illustration number.

INSTALLATION KIT ASSEMBLY



CAUTION: Use the Kenmore part number on all orders, **not** the illustration number.

INSTALLATION KIT ASSEMBLY

ILLUSTRATION NUMBER	PART NUMBER	DESCRIPTION
1 - E	4H01785B	L BRACKET
2 - E	4959AR3402J	CURTAIN ASSEMBLY
3 - E	4959AR3402K	CURTAIN ASSEMBLY
4 - E	3H01479D	SUPPORT BRACKET
5 - E	3H01395C	SILL BRACKET
6 - E	4H01516A	LOCK NUT
7 - E	4H01483A	CARRIAGE BOLT
8 - E	4H01482A	M-SCREW

= Functional Parts

* = Non-illustrated Parts

Get it fixed, at your home or ours!

Your Home

For repair – **in your home** – of **all** major brand appliances, lawn and garden equipment, or heating and cooling systems, **no matter who made it, no matter who sold it!**

For the replacement parts, accessories and owner's manuals that you need to do-it-yourself.

For Sears professional installation of home appliances and items like garage door openers and water heaters.

1-800-4-MY-HOME[®] (1-800-469-4663)

Call anytime, day or night (U.S.A. and Canada)

www.sears.com www.sears.ca

Our Home

For repair of carry-in items like vacuums, lawn equipment, and electronics, call or go on-line for the location of your nearest **Sears Parts & Repair Center.**

1-800-488-1222

Call anytime, day or night (U.S.A. only)

www.sears.com

To purchase a protection agreement (U.S.A.) or maintenance agreement (Canada) on a product serviced by Sears:

1-800-827-6655 (U.S.A.)

1-800-361-6665 (Canada)

Para pedir servicio de reparación a domicilio, y para ordenar piezas:

1-888-SU-HOGARSM

(1-888-784-6427)

Au Canada pour service en français:

1-800-LE-FOYER^{MC}

(1-800-533-6937)

www.sears.ca

SEARS

© Registered Trademark / TM Trademark / SM Service Mark of Sears, Roebuck and Co.

© Marca Registrada / TM Marca de Fábrica / SM Marca de Servicio de Sears, Roebuck and Co.

^{MC} Marque de commerce / ^{MD} Marque déposée de Sears, Roebuck and Co.

© Sears, Roebuck and Co.

Part No.: 3828A24001H