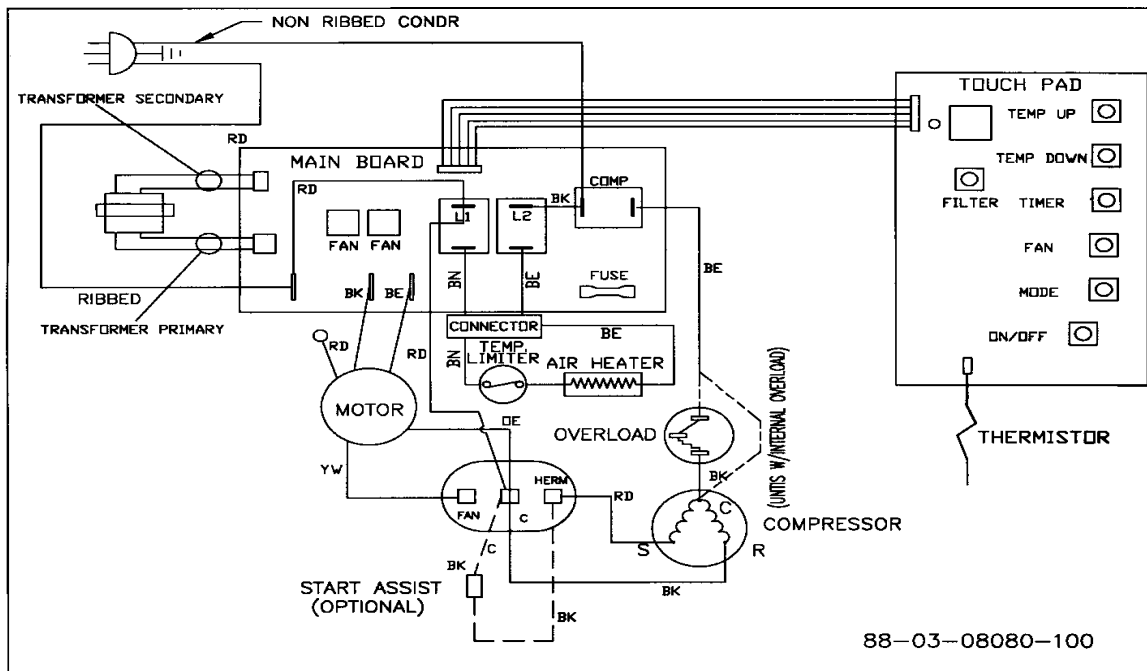
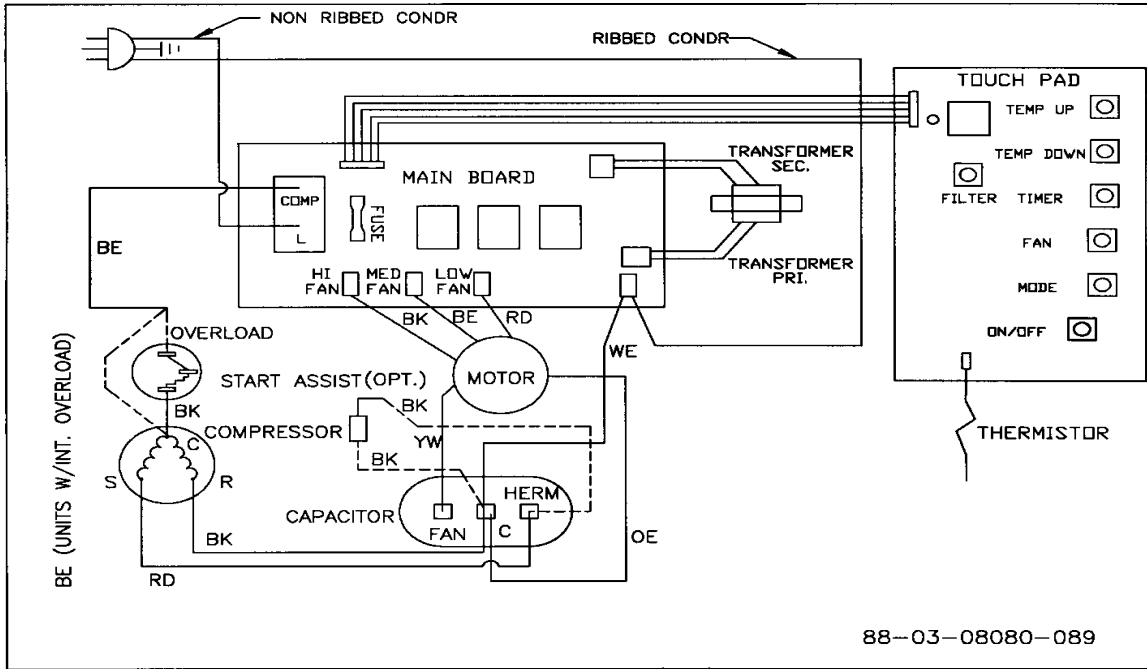


"WALL MODULE"

INTERNATIONAL COMFORT ROOM AIR CONDITIONER SERVICE PARTS LIST

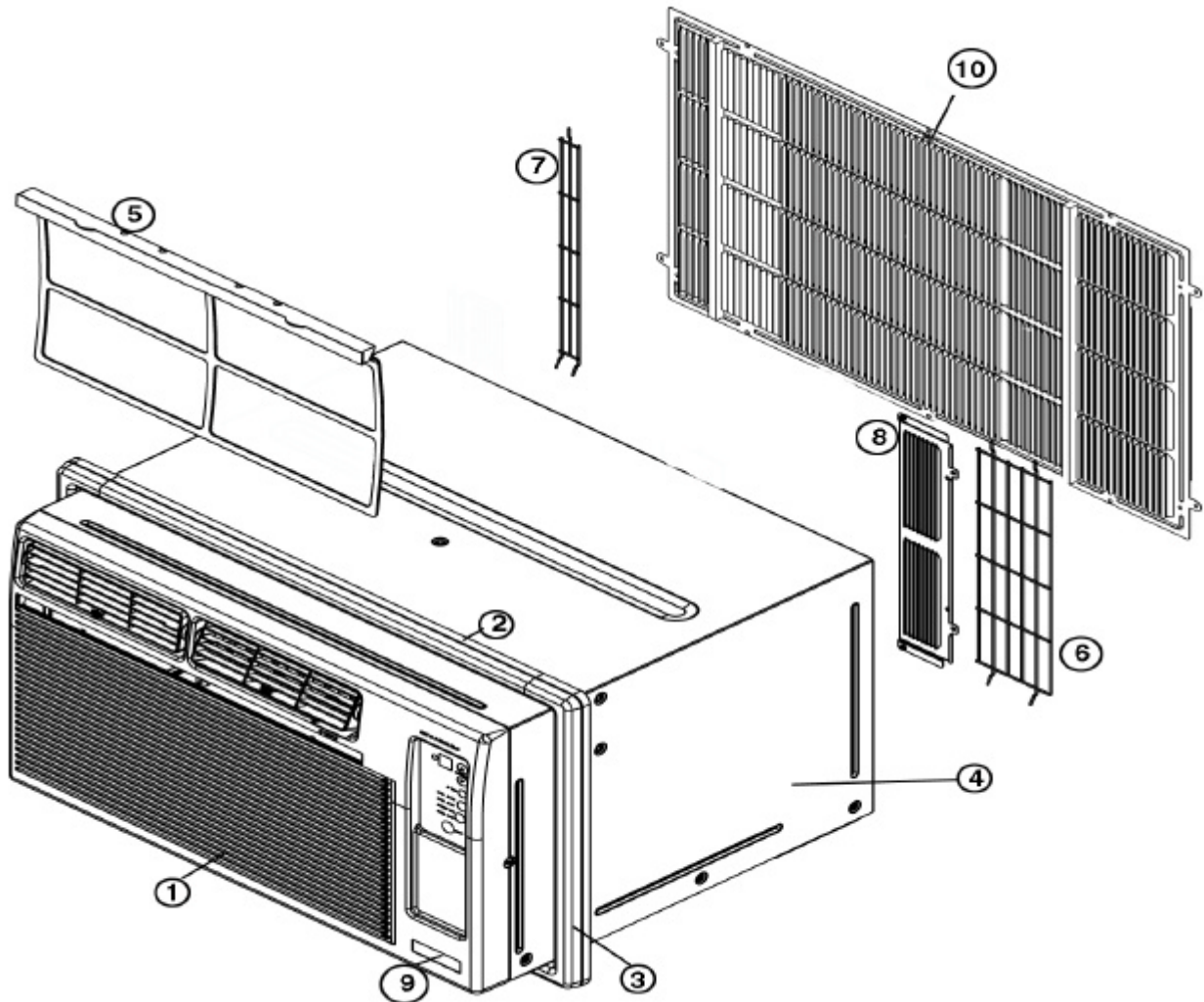
ICP_U_TTW-04

MODEL	REV	BTUH	VOLTS	AMPS COOL	AMPS HEAT	WATTS COOL	WATTS HEAT	E.E.R.	WIRING DIAGRAM	OZ. OF R22
INTERNATIONAL COMFORT										
CH1026TCR	B	10000	230/208	4.8/5.0	15.4/14.0	935	3560/2940	9.4	880308080100	21.25
CH1026TCR	C	10000	230/208	4.8/5.0	15.4/14.0	935	3560/2940	9.4	880308080100	21.25



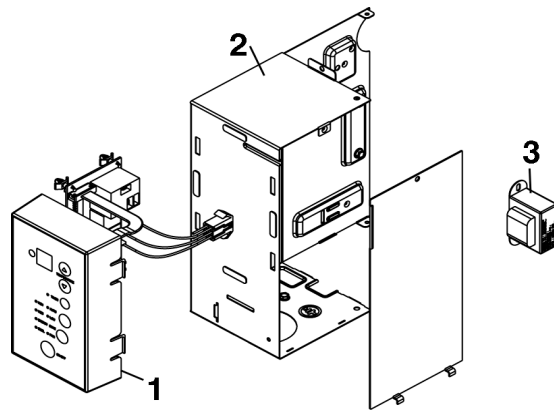
ITEM	DESCRIPTION	PART NO.		
			CH1026TCR	CH1026TCR
1	DEC FRONT ASM	114000970004	1	1
2	FRAME-TRIM CENTER	114000410001	2	2
3	FRAME-TRIM END	114000420001	2	2
4	CABINET	114000400002	1	1
5	FILTER	114001010001	1	1
6	GRILLE REAR LH WIRE	114000780001	2	2
9	FRONT NAMEPLATE	881606680007	1	1
10	GRILLE REAR	114000830001	1	1
NI	CARTON TTW	131108630010	1	1
NI	CLAM SHELL TOP REDES	131108640001	1	1
NI	CLAM SHELL BOTTOM TTW RE	131108650001	1	1
NI	INSTRUCTION BOOK TTW RE	23112250N003	1	1

*NOTE: ALL PRICING SUBJECT TO CHANGE.



ITEM	DESCRIPTION	PART NO.		
			B	C
			CH1026TCR	CH1026TCR
1	CONTROL ASSEMBLY-HT/COOL	114000440001	1	1
3	TRANSFORMER	112150000002	1	1
NI	CLIP THERMISTOR	112125420002	1	1
NI	POWER CORD	112124270004	1	1
NI	CLAMP STRAIN RELIEF	111500920002	1	1
NI	TRANSMITTER REMOTE	112150010006	1	1
NI	CAPACITOR-30/3/370	160500710179	1	1

* NOTE: ALL PRICING SUBJECT TO CHANGE.

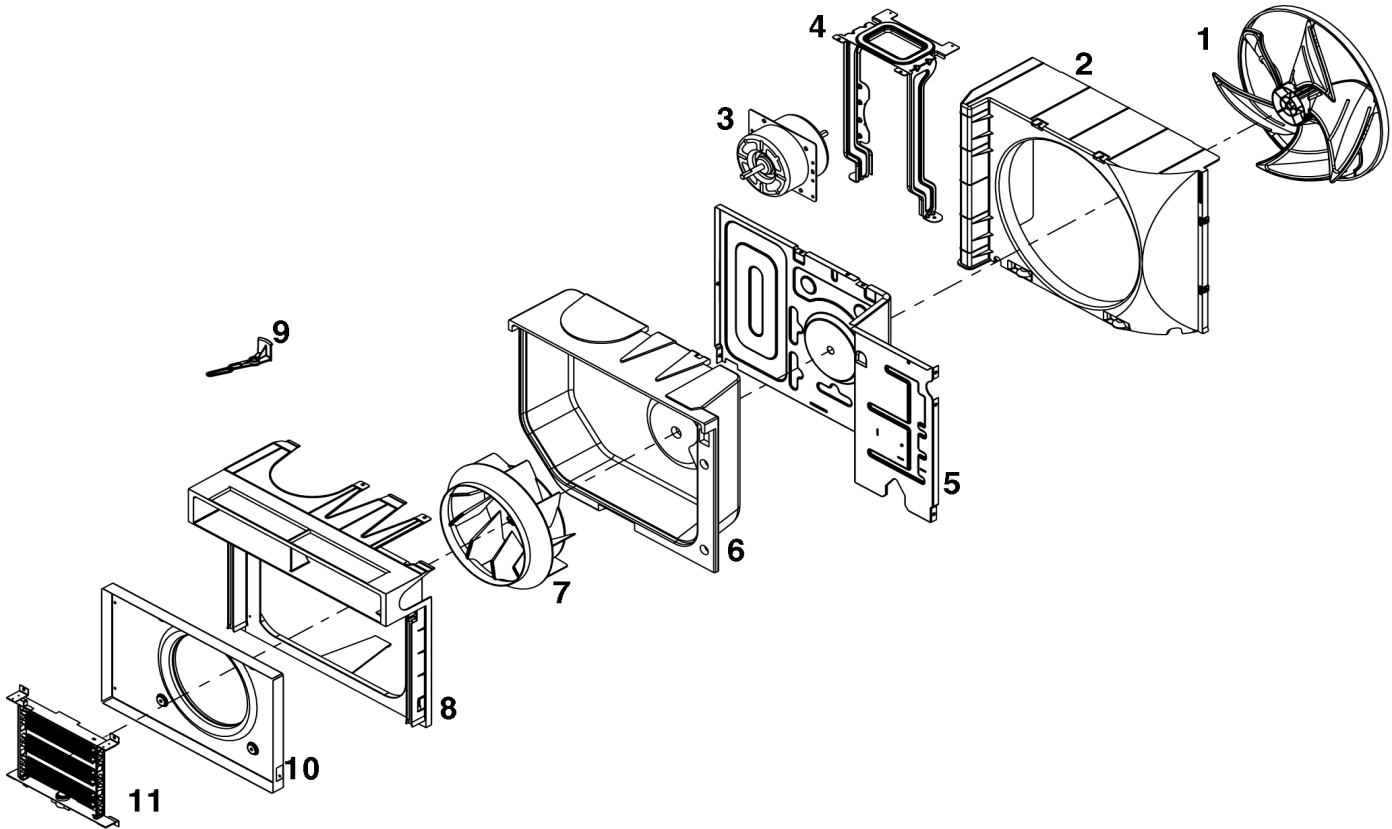


CHASSIS ASSEMBLY

ICP_U_TTW-04

ITEM	DESCRIPTION	PART NO.	CH1026TCR	CH1026TCR
			B	C
1	FAN	113900420001	1	1
2	SHROUD	114000600003	1	1
3	MOTOR	114090000004	1	1
4	MOUNT MOTOR	114000160001	1	1
5	BULKHEAD	114000050001	1	1
6	HOUSING-BLOWER	114000080001	1	1
7	WHEEL-BLOWER	113900040002	1	1
8	VENTURI COOL HT/CL	114000040002	.	.
9	DOOR-VENT	114000100001	1	1
10	VENTURI INSERT	114000090002	1	1
11	HEATER ELECTRIC 230V 3.5KW	113900380008	1	1
NI	CLAMP FAN AND BLOWER WHEEL	113900800001	2	2

*NOTE: ALL PRICING SUBJECT TO CHANGE



REFRIGERANT ASSEMBLY

ICP_U_TTW-04

			CH1026TCR	CH1026TCR
ITEM	DESCRIPTION	PART NO.	B	C
1	COMPRESSOR, RECHI	160202140003	1	1
2	OVERLOAD	160300430157	1	1
3	COVER-TERMINAL	160603640003	1	1
4	NUT 8MM	882000820001	1	1
5	NUT-.313-18,"PALNUT"	882000230005	3	3
6	WASHER	112123340003	3	3
7	GROMMET-BOTTOM	160603390003	3	3
8	GROMMET-TOP	160603390005	3	3
9	SLEEVE-.344X.438X1.625	160600710016	3	3
10	BOTTOM PAN ASM	114000480008	1	1
11	CAPILLARY	S002C0002279	2	2
12	CONDENSER ASM 2R 7MM 22	114000520002	1	1
13	EVAP ASM-2R,5/16	114000670001	1	1
14	TRAY-DRIP	114000030001	1	1
15	GROMMET VENTURI	113900110001	1	1
NI	GASKET TERMINAL	160603680002	1	1
NI	STRAINER .311/.305X1.38L	886000220006	1	1

*NOTE: ALL PRICING SUBJECT TO CHANGE.

