

Portable Air Conditioner **SVC MANUAL(Exploded View)**

MODEL : GP100CE(TWC101ZBMK0)

CAUTION

Before Servicing the unit, read the safety precautions in Standard SVC manual.
Only for authorized service personnel.

1. Specification

Models			GP100CE	
Cooling Capacity		kW	2.93	
		Btu/h	10,000	
Heating Capacity		kW	-	
		Btu/h	-	
Electric Heater Capacity		kW	-	
		Btu/h	-	
Power Input	Cooling/Heating	W	1,050	
Running Current	Cooling/Heating	A	9.3	
Starting Current	Cooling/Heating	A	-	
Electric Heater Current		A	-	
EER		W/W	2.79	
		Btu/h.W	9.50	
COP		W/W	-	
Power Supply		Ø / V / Hz	1Ø / 115V / 60Hz	
Power Factor		%	97.1	
Air Flow Rate		cmm(cfm)	6.67(235)	
Moisture Removal		l/h	2.4	
Sound Level	Indoor,H/M/L	dB(A)+3	55/ 53	
Refrigerant & Charge		g(oz)	R22,500(17.7)	
Compressor	Type		Rotary(Non Tropical)	
	Model		K1NC122ABBB-D	
	Motor Type		PSC	
	Oil Type		SUNISO 4GSI(or NM56m)	
	Oil Charge	cc		300
O.L.P Name			MRA12184-12063	
Fan	Type(In/Out)		Blower/Blower	
	Motor Type		AC Induction	
	Motor Output	W	260	
Power Supply Cable		No.*mm ²	3*2.1(AWG 14)	
Dimension	W*H*L	mm	330*795*433	
Net Weight	Indoor	kg	25	
Tool Code(Chassis)			WZ	
Functions	Temperature Control		Thermistor	
	Energy Saver Switch		O	
	Prefilter(washable/anti-fungus)		O	
	Plasma Filter		-	
	Steps, Fan/Cool/Heat		3/3/-	
	Airflow Direction Control(up&down)		-	
	Airflow Direction Control(left&right)		-	
	Remocon Type		Wireless simple	
	Setting Temperature	Cooling		60°F~86°F(16°C~30°C)
	Range	Heating		-
	Auto Operation (Micom Control)			-
	Panel Touch Type			Micom
	Timer			24h, On/Off
	Air Discharge			Inclinded and Top
	Air Ventilation			-
	Deice Control(Defrost)			-
	Hot Start			-
Look			B-Look	
Cabinet Type(Chassis Type)			-	
Special Function			-	

Note:

O : Applied, - : No relation

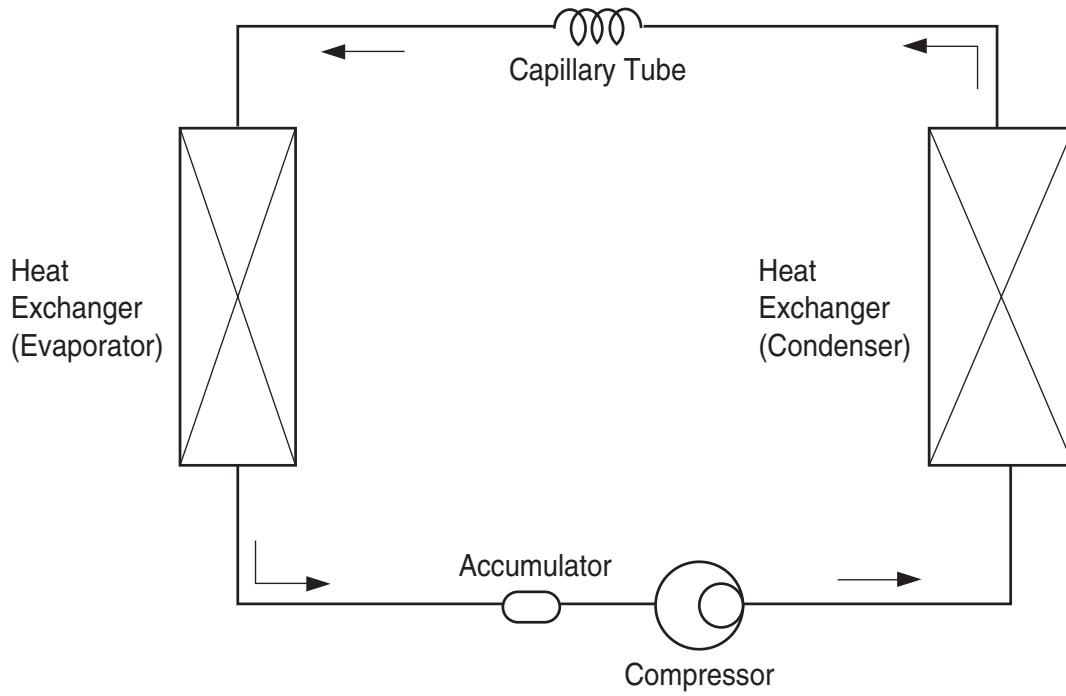
* For circuit breaker rating, please conform to local standards wherever necessary.

※ Some of functions are slightly different depending upon models.

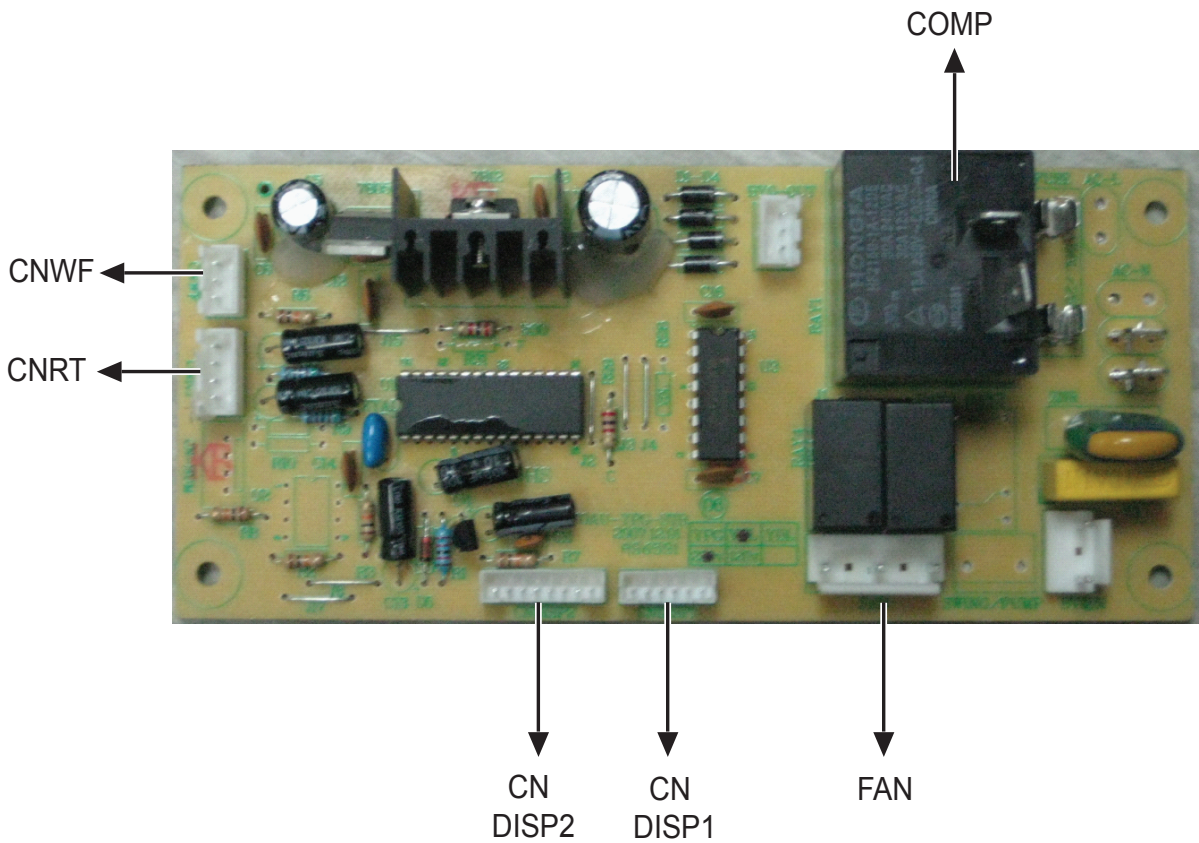
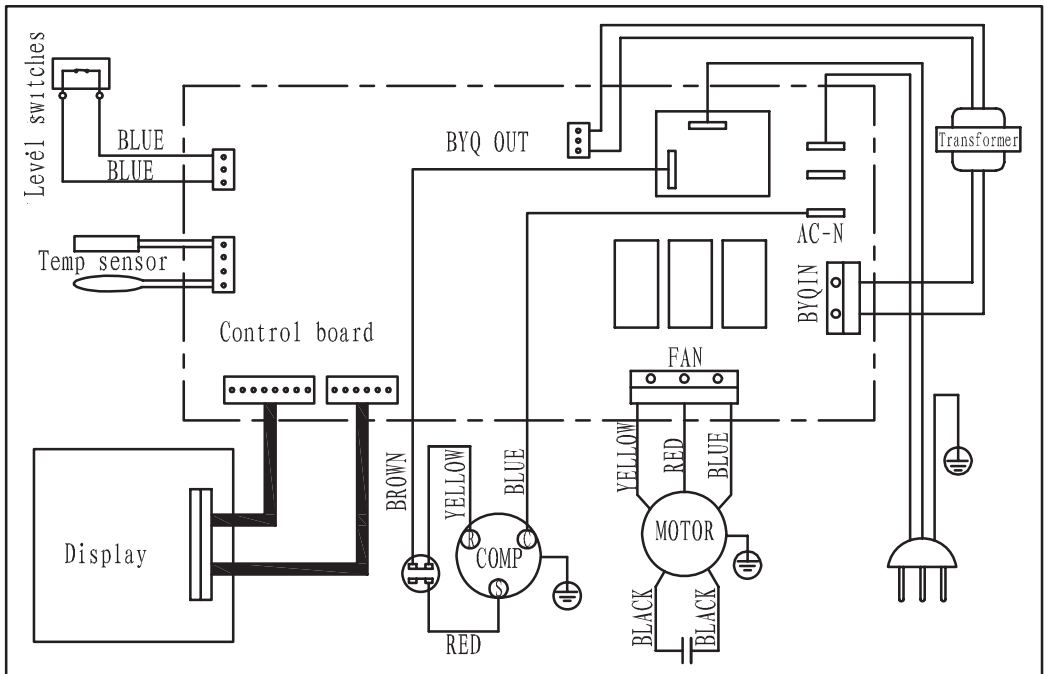
※ The specification may be subject to change without notice for purpose of improvement.

2 Portable Air Conditioner

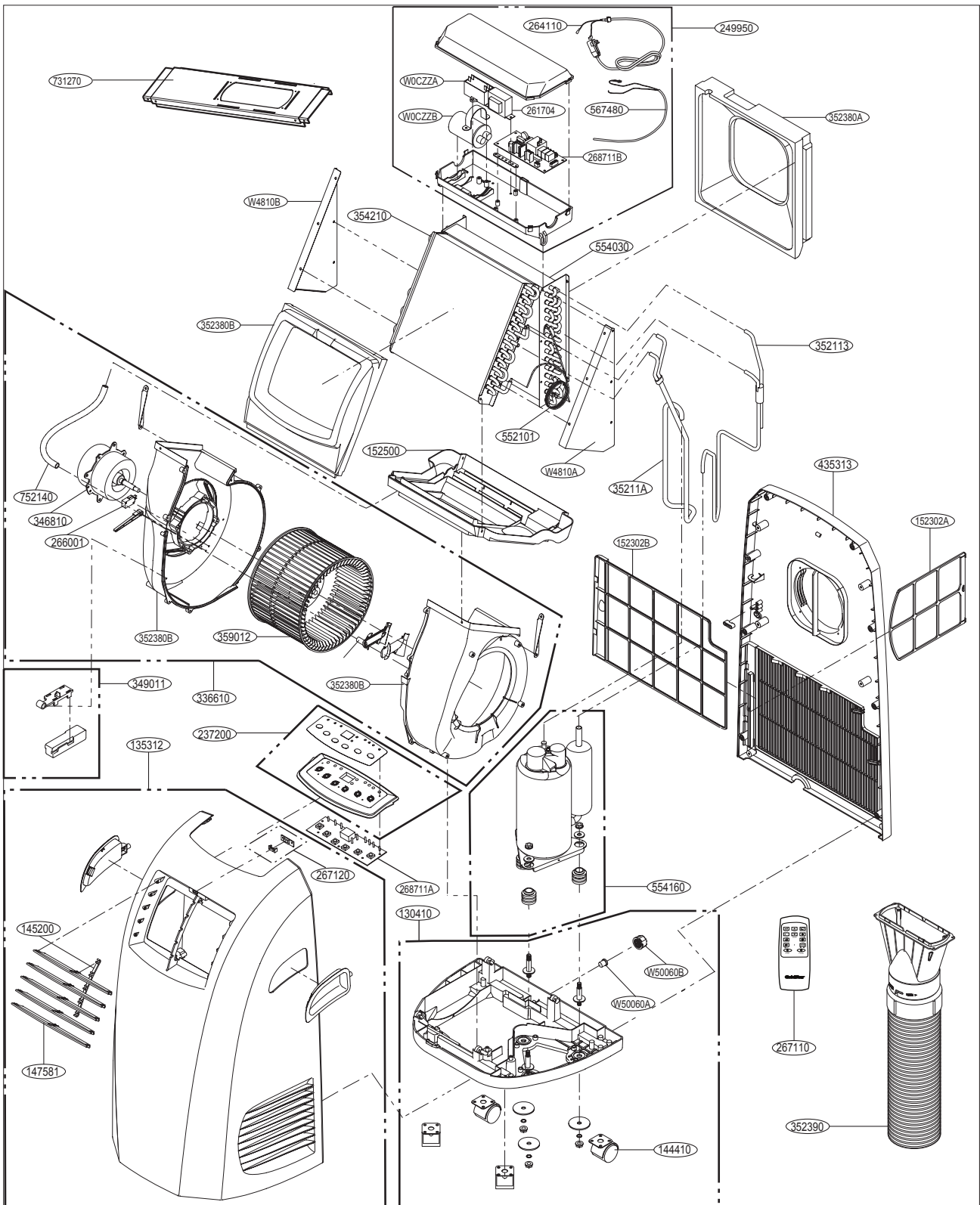
2. Piping Diagrams



3. Wiring Diagrams



4. Exploded View



Note) * Please ensure GCSC since the replacement parts may be changed depending upon the buyer's request.
Please check the correct parts in View RPL(Replacement Part List) on GCSC.
(GCSC Website <http://biz.Lgservice.com>.)

GoldStar

P/NO : MFL38891310

JANUARY, 2008