

PRECAUTIONS FOR PROPER USE OF AIR CONDITIONER

Please observe the following instructions.

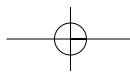
1. Operate the Selector Switch to run or stop the unit.
 - Do not use Main Power Switch or Auxiliary Power Switch to operate unit.
2. Do not stick anything into the air outlet or inlet.
 - It is dangerous and it can cause injury or damage.
3. Avoid exposing your body directly to a continuous cool air - flow for long periods.
 - It is not good for your health.
4. Do not pour water on the unit to clean it.
 - It is dangerous and it can cause injury or damage.
 - Never use solvents or harsh chemicals when cleaning the unit.
 - When the air inlet grill and cabinet are dirty, wipe with luke - warm water (below 104°F or 40°C)
5. Avoid placing any obstacles near the inlet or outlet.
 - If the inlet or outlet is blocked with any obstacle, it may cause damage to the unit.
6. Do not run or stop the unit frequently.
 - If you run or stop the unit more then 4-5 times an hour, it can cause damage to the unit.
7. Wait at least 3 minutes before restarting the unit or in the case of power failure.
 - If you turn on the unit within 3 minutes after power off, this can cause damage to the unit.
8. If the air conditioner is operated without an air filter, dust is not removed from the air, and resultant accumulation in the unit may lead to a failure.
 - Do not forget to install the air filter.
9. The air filter should be cleaned at least once every two weeks.
10. When the unit is cleaned, set the Selector Switch at off position.
 - And then unplug the power plug.
11. Never store gasoline or other flammable liquid near the air conditioner.
 - It is very dangerous.
12. Do not force the controls on the front panel too much.
 - It can cause damage the controls and the unit.
13. Set a comfortable temperature.
 - Very low temperature setting considerably increase power consumption.
14. Be careful to keep room temperature comfortable.
 - Avoid continuous direct air flow on you or a sick person while sleeping.
15. Do not remove the plug by pulling the power cord.
 - Damage to the cord and may cause shock hazard.

TABLE OF CONTENTS

- 1. GENERAL SPECIFICATIONS.....2
- 2. INSTALLATION INSTRUCTIONS.....3~7
 - WINDOW REQUIREMENTS
 - BASIC TOOLS NEEDED
 - SAFETY INSTRUCTIONS
 - STEP1-PREPARE COMPONENTS FOR INSTALLATION
 - STEP2-PREPARE WINDOW FOR INSTALLATION
 - STEP3-PLACING UNIT IN WINDOW
 - STEP4- INSTALL SASH BRACKET
 - STEP5-SECURE WINDOW SHUTTER
 - STEP6-RECHECK INSTALLATION
 - STEP7-RECHECK THE ENTIRE INSTALLATION
- 3. NAMES OF MAJOR COMPONENTS 8
- 4. OPERATION INSTRUCTIONS 9
 - FAN & COOLING CONTROL
 - TEMPERATURE CONTROL
- 5. GENERAL INFORMATION 10
 - CHANGING AIR FLOW DIRECTION
 - AIR FLOW AROUND UNIT
- 6. CARE AND MAINTENANCE..... 11
 - AIR FILTER
 - CLEANING THE AIR CONDITIONER
- 7. ELECTRICAL REQUIREMENTS 12
 - ELECTRICAL GROUNDING INSTRUCTIONS.
 - USAGE OF POWER CORD(AFCI & LCDI)
- 8. BEFORE CALLING FOR SERVICE..... 13

GENERAL SPECIFICATIONS

ITEM	MODEL	DWC-052CAL
POWER SOURCE		AC 115V, 60Hz, SINGLE PHASE
DIMENSIONS		17.3(W) x 12.3(H) x 15.2(D) inch
		440(W) x 313(H) x 385(D) mm
WEIGHT (NET)		45.4 lbs (20.6 Kg)-Approx.



INSTALLATION INSTRUCTIONS

• WINDOW REQUIREMENTS

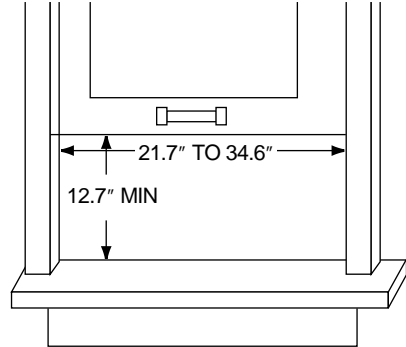
These instructions are provided for a standard double hung window or mobile home double hung window installation in windows 21.7in (550mm) to 34.6in (880mm). The upper and lower sash must open sufficiently to allow a clear vertical opening of 12.7in (323mm) from the bottom of the sash to the window stool.

Select a centrally located window on the side of the room that receives the least direct sunlight. There should be no obstruction to air flow either inside (i.e. curtains) or outside (i.e. fence, wall or bushes).

Read this entire installation manual thoroughly before beginning the installation.

Make sure you have the necessary tools and other materials for the job. Study the illustrations in these instructions to become familiar with important details of the installation process.

Read the Use & Care manual to become familiar with the operation of your room air conditioner.



⚠ IMPORTANT :

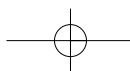
It is important, both for your personal safety and to avoid possible damage to your home, that you observe the safety instructions that are given following.

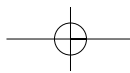
After installing the unit, re-read these instructions to make sure you have completed each step and all parts are fastened in place for a secure installation.

For best results, perform the installation procedure in the order given. Doing so will minimize the time required to install the unit.

• BASIC TOOLS NEEDED

- Standard screwdriver
- Phillips screwdriver
- Sharp knife
- Carpenter's level
- 1/4" hex driver
- Tape measure
- Electric drill
- 1/8" drill bit





• SAFETY INSTRUCTIONS

The receptacle should be an individual branch circuit used only for this air conditioner. Be sure the electrical service is adequate for the model air conditioner you have chosen. The complete electrical rating of your air conditioner is stated on the name plate located at the unit's side. Be sure the plug receptacle is close enough for the power cord to reach it.

⚠ WARNING :

A cord-connected room air-conditioner shall be marked to indicate that a damaged power supply cord must be replaced with a new power supply cord obtained from the store where you have purchased your air-conditioner or SVC center which the store instructs you.

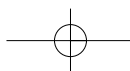
⚠ WARNING :

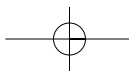
An extension cord should not be used with your air conditioner!
To minimize shock and fire hazards, proper grounding is important. For your safety and protection, this air conditioner is equipped with a special three-prong grounding plug on the service cord.

⚠ WARNING :

Do not, under any circumstances, cut or remove the grounding prong on the plug. To do so will create a shock hazard.

Your air conditioner must be plugged into a properly grounded and polarized three prong receptacle. Do not use an adapter plug. If the wall receptacle you intend to use will not accept a three-prong plug, or if you are not sure the outlet is adequately grounded or protected by a fuse or circuit breaker, have a qualified electrician install the proper outlet according to the National Electric Code and applicable local code.



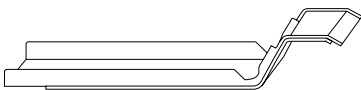


• Step 1 - Prepare Components For Installation

1. Open the components box for installation
2. Check components for installation as follows.
 - Sill Bracket (1 piece)
 - Window Shutter (2 pieces)
 - Sash Bracket (1 piece)
 - Window Kit Frame - Left side (1 piece)
 - Window Kit Frame - Right side (1 piece)
 - Leveling Screw - M8 x 45 (1 piece)
 - 1 1/4 inch Screw - M5 x 30 (2 pieces)
 - 5/8 inch Screw - M4 x 16 (5 pieces)
 - 5/16 inch Screw - M4 x 8 (6 pieces)
 - Window Seal A, B (2 pieces)

• SCREW TYPE

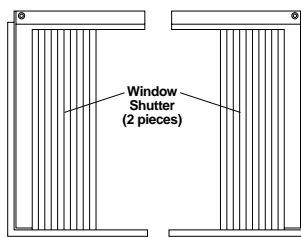
	Type A	Type B	Type C	Type D
SHAPE				
SPEC	M8 x 45	M5 x 30	M4 x 16	M4 x 8
Q'TY	1	2	5	6



Sill Bracket (1 piece)

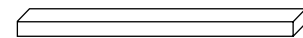


Sash Bracket (1 piece)



Window kit Frame Left side (1 piece)

Window kit Frame Right side (1 piece)



Window Seal A (1 piece)



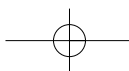
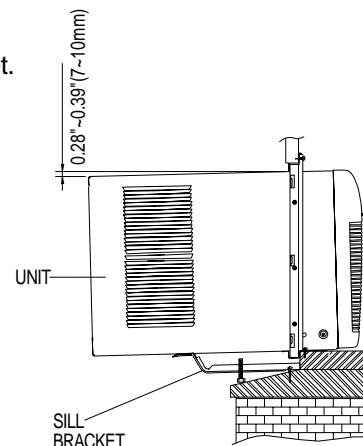
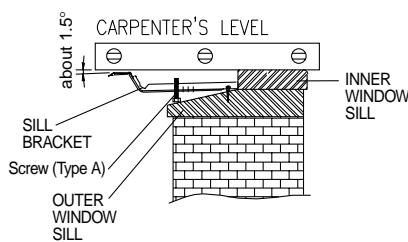
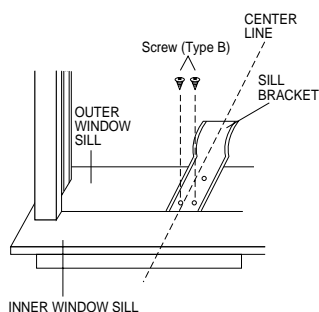
Window Seal B (1 piece)

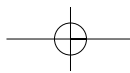
• Step 2 - Prepare Window For Installation

⚠ WARNING :

1. To reduce the risk of electric shock, personal injury or death, turn the fan control to the OFF position and unplug the unit from the wall outlet before installing or removing this unit.
2. The window where the air conditioner is to be installed should have enough strength to bear the weight of the air conditioner.

1. Inspect window track, sash and sill to be sure they are strong enough to hold an air conditioner.
2. Measure width between window frame to be sure instant mount will fit in the window. Instant mount models are designed for windows 21.7in (550mm) to 34.6in (880mm) wide.
3. Mark the center of window sill with a pencil.
4. Insert Screw (Type A) into the sill bracket.
5. Attach Sill bracket to window sill using Screws (Type B).
(The outside edge of window bracket should be center line)
6. Place the carpenter's level on the sill and the outdoor end of Sill Bracket. Adjust Screw (Type A) so that Sill Bracket have a slight tilt by using carpenter's level meter. (about 1.5°)



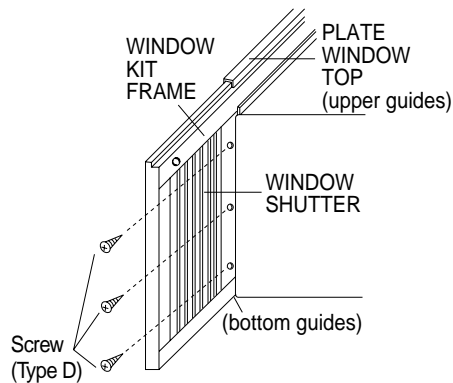


• Step 3 - Placing Unit in Window

⚠ CAUTION

1. The unit is heavy. To avoid injury or accident, it is strongly recommended that you have additional help when lifting the unit.
2. Personal injury or property damage may result if unit falls from window.

1. Insert Window Kit Frame into the upper and bottom guides of the unit.
2. Fasten window shutter in the window kit frame with Screws (Type D) in the left side and right side of the unit.
3. Open the window and place the unit in the center of the window sill.



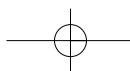
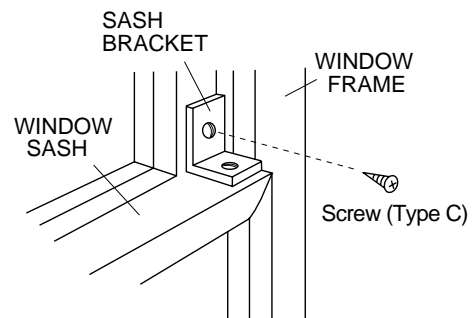
• Step 4 - Install Sash Bracket

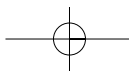
⚠ CAUTION

Do not drill into window frame until window has been inspected to make sure drilling or screw will not damage any locking or lifting mechanism located the frame.

Fasten Sash Bracket with Screw (Type C) to top of indoor window sash or directly into side of window sash or directly into side of window frame.

This will prevent the raising of the window from the outside. If you have a hard wood or metal window frame, a 1/8 inch pilot hole may be needed in order to drive the screw.



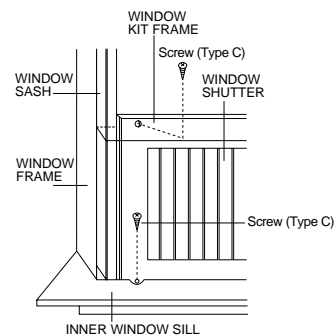


• **Step 5 - Secure Window Shutter**

CAUTION

Do not drill into window sash until window has been inspected to make sure drilling or screw will not damage any locking or lifting mechanism located in the frame.

To provide a proper seal, pull each expandable side Window Shutter out and up until it is tight against the window frame. Using the hole in the top and bottom of each Window Kit Frame as a guide, secure Window Kit Frame in window sash and on the window sill.



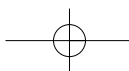
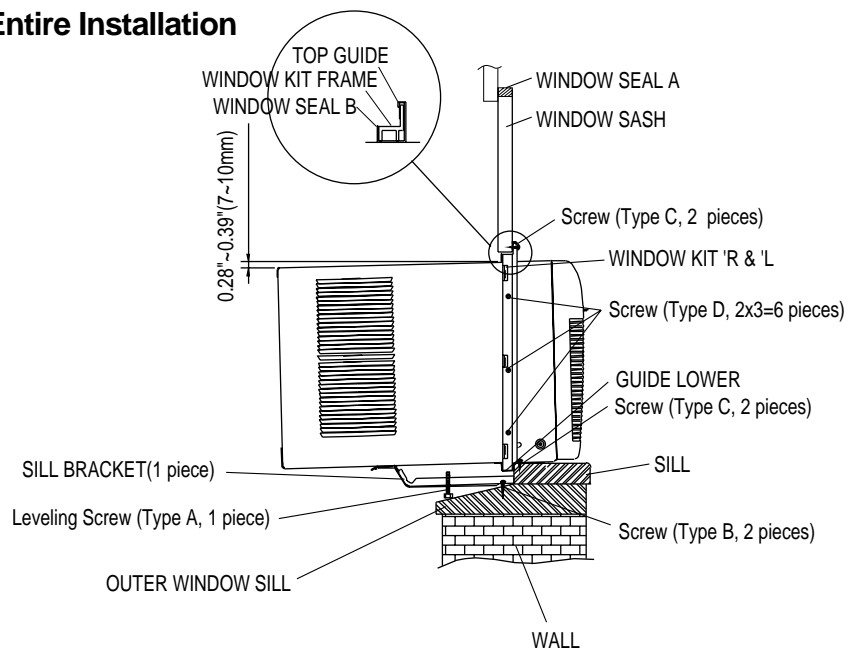
• **Step 6 - Recheck Installation**

To be sure you have correctly installed your Room Air Conditioner, review the steps and make sure all of the parts are securely fastened in the window as the instructions show. A tight seal is essential. Read through the Use & Care manual to become familiar with the operation of your room air conditioner.

CAUTION

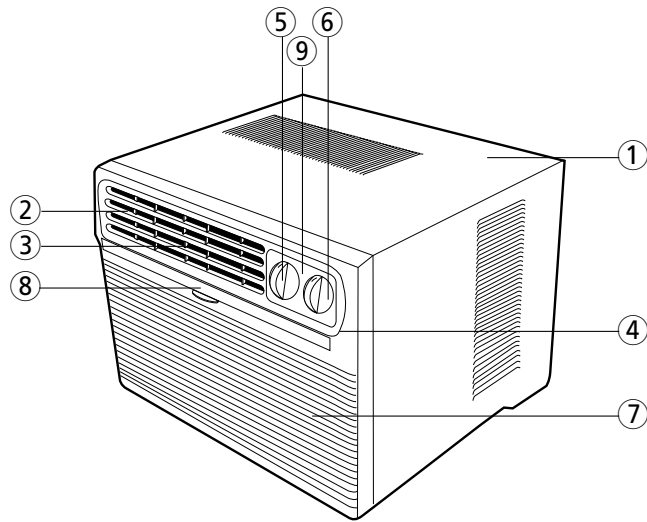
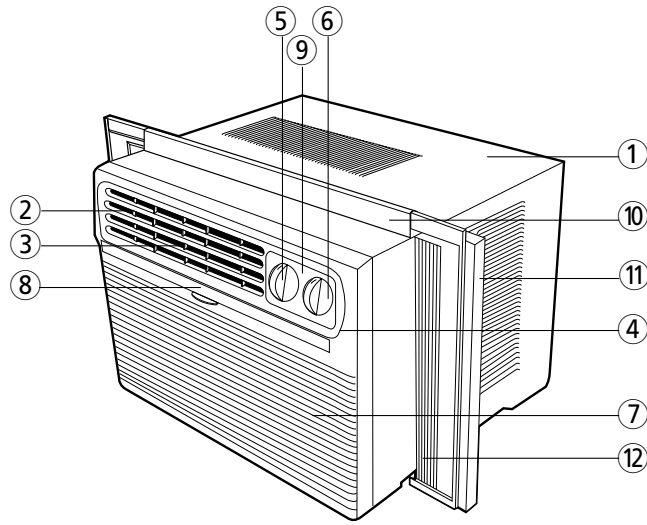
Do not lift window sash without holding the unit. The window sash helps keep the unit in the window. Exercise caution when opening the window. Failure to do so may result in personal injury and/or property damage.

• **Step 7 - Recheck the Entire Installation**

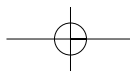


NAMES OF MAJOR COMPONENTS

• DWC-052CAL



NO	PART NAME	NO	PART NAME
1	CABINET	7	AIR INTAKE
2	BLADE VERTICAL	8	AIR FILTER
3	COOL AIR DISCHARGE	9	CONTROL PANEL
4	GRILLE FRONT	10	PLATE WINDOW TOP
5	KNOB THERMOSTAT	11	FRAME WINDOW KIT
6	KNOB SELECTOR	12	SHUTTER WINDOW



OPERATING INSTRUCTIONS

⚠ NOTE

• FOR MOST ECONOMICAL USE

1. Properly control the room temperature.
2. Avoid the unit being exposed to direct sunlight. Keep direct sunlight from the room.
3. Do not leave doors and windows open.

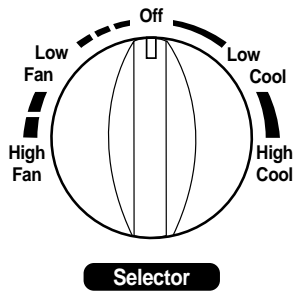
• FAN & COOLING CONTROL

The Fan Control Selector Switch has five positions.

Choose one of the speed settings by rotating the fan control Selector Switch to the appropriate position.

⚠ CAUTION

When the air conditioner has been performing its cooling operation and is turned "OFF" or set to the 'FAN' position, wait at least 3 minutes before resetting to the cooling operation.



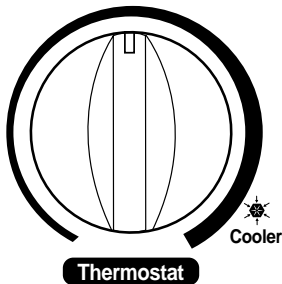
OFF	Select this setting for stop all operation of air conditioner
HIGH FAN	Select this setting for maximum air circulation without cooling.
LOW FAN	Select this setting for quiet air circulation without cooling.
HIGH COOL	Select this setting for cooling operation with HIGH FAN.
LOW COOL	Select this setting for cooling operation with LOW FAN.

• TEMPERATURE CONTROL

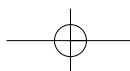
Choose a temperature settings by rotating the knob of thermostat to the appropriate position

⚠ NOTE

Setting the control at the coldest extreme of the temperature range will not cool the room any faster. Usually the midpoint is a good starting position. If the room temperature is not satisfactory after a reasonable period of time, adjust the temperature control to a lower or higher.



- The Thermostat automatically starts and stops cooling operation in order to keep the room temperature at a proper level, and this results in efficient use of power and economical cooling.
- Turn clockwise for a cooler room temperature.
- Turn counter-clockwise for a warmer room temperature.





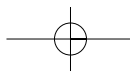
GENERAL INFORMATION

- **CHANGING AIR FLOW DIRECTION**

Air flow deflectors divert air from center flow to left or right.
Adjust deflectors for desired air flow pattern.

- **AIR FLOW AROUND UNIT**

Check in door grill and outdoor louvers for air flow obstructions. Do not block air flow to and from unit. The outdoor coil should be checked and periodically cleaned for debris that may collect and block unit air flow. If air flow is obstructed or deflected back into unit, the compressor may cycle on and off rapidly, causing early compressor failure.



CARE AND MAINTENANCE

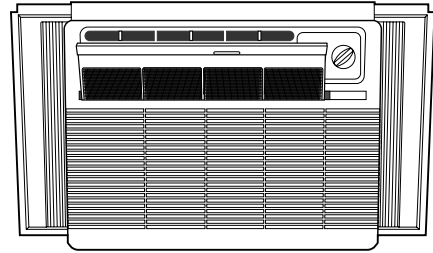
⚠ CAUTION

To avoid death or personal injury due to electrical shock, turn fan control OFF and unplug power cord before cleaning or performing maintenance. After cleaning or performing maintenance, reconnect power.

• AIR FILTER

Clean the air filter, which removes dust inside the room. It should be washed at least once every week during operation.

1. Remove the Air Filter from the front grill by pulling up.
2. Clean Air Filter with a vacuum cleaner or lukewarm, soapy water.
3. Shake it when clean to remove moisture completely. Replace it.

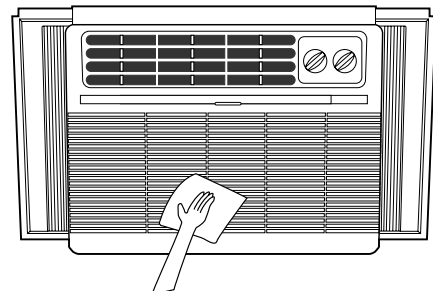


NOTE

A dirty Air Filter reduces air flow and the cooling capacity. Do not operate unit without Air Filter.

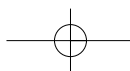
• CLEANING THE AIR CONDITIONER

1. At least once a year, remove cabinet and thoroughly clean air conditioner. Have the unit inspected by an authorized service man to ensure unit is functioning properly.
2. Wash air conditioner with lukewarm, soapy water as needed. Rinse and dry thoroughly.
3. If using concentrated liquid detergent, dilute in warm water first.
4. Front grill may be wiped off with a cloth dampened in a mild detergent solution.
5. Cabinet may be washed with mild soap or detergent and lukewarm water, then polished with liquid wax for appliances.
6. Condenser and Evaporator coils should be cleaned at the beginning of each cooling season. Use a soft brush or vacuum cleaner to clean them, making sure that the Condenser and Evaporator coils are not damaged.
7. Do not use abrasive cleaners. These items scratch, crack and discolor surfaces.



NOTE

To assure continued peak efficiency, condenser coils (weather side of unit) should be checked periodically and cleaned if clogged with soot or dirt from the atmosphere.



ELECTRICAL REQUIREMENTS

• ELECTRICAL GROUNDING INSTRUCTIONS

Because of potential safety hazards under a certain condition , we strongly recommend against the use of an extension cord . However , if you still elect to use an extension cord, it is absolutely necessary that it will be a UL Listed 3-wire grounding type appliance extension cord having a 3-blade grounding piug and a 3-slot receptacle that will plug into the appliance.

The marked rating of the extension cord should be 115V, 15A or equivalent.

WARNING :

- To avoid death, personal injury or property damage due to electrical shock,
- Do not use an extension cord or pinch the power cord.
- Do not remove the warning tag from the power cord or equivalent.

• USAGE OF POWER CORD(AFCI OR LCDI)

Testing:

CASE 1 : Lamp exists

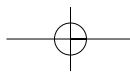
1. Plug into power receptacle.
 2. If light is not on, press "RESET" button, light should turn on.
 3. Press "TEST" button, light must turn off.
 4. Press "RESET" button again for use. Light should turn on.
- Do not use if above test fails.

CASE 2 : Lamp not exist

1. Plug into power receptacle. Turn on Unit.
- 2a. If unit operates normally, press "TEST" button. Unit should trip.
Press "RESET" button again for use.
- 2b. If unit not operate, press "RESET" button for use. Unit should operate.
Do not use if above test fails.

WARNING :

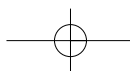
- Do not remove, modify or immerse this plug. If this device trips, the cause is to be corrected before further use, see owners manual.
- This device must only be plugged on appropriate wall outlet.
- Do not use on extension cords.



BEFORE CALLING FOR SERVICE

When you find something wrong with your room air conditioner, please carefully check the following items. If you are unable to find the cause of trouble, contact your service dealer.

Difficulty	Possible Cause	Suggested Solution
<ul style="list-style-type: none"> • Air conditioner does not operate. 	<ul style="list-style-type: none"> • No power to unit. 	<ul style="list-style-type: none"> • Set Fan Control Select to position other than "OFF". • Confirm power cord is plugged in. • Verify main power switch (main circuit breaker) or fuse of the unit is good.
<ul style="list-style-type: none"> • Little or no cooling 	<ul style="list-style-type: none"> • Compressor lockout on initial plug in. • Dirty air filter • Is there anything blocking the front? • Thermostat is not adjusted correctly. • Air conditioner undersized for application. 	<ul style="list-style-type: none"> • Wait 3 to 4 minutes and restart the unit. • Clean air filter. • When blocked by curtains, blinds, or furnitures, etc., the air flow is restricted and cooling performance is affected. • Adjust thermostat correctly. • Check with dealer to determine proper unit capacity for application.
<ul style="list-style-type: none"> • Noisy unit 	<ul style="list-style-type: none"> • Loose parts • Weak building construction. • Water hitting fan. 	<ul style="list-style-type: none"> • Tighten any loose parts. • Provide additional support. • Normal in high humidity. • Stop noise by allowing water to drain from base fan through drain hole.
<ul style="list-style-type: none"> • Ordors from unit. 	<ul style="list-style-type: none"> • Mold, mildew or algae formation on wet surfaces. 	<ul style="list-style-type: none"> • Place algaecide tablet in base pan • Remove water in base pan through drain hole.
<ul style="list-style-type: none"> • Water in base pan. 	<ul style="list-style-type: none"> • Normal for operation in humid areas. 	<ul style="list-style-type: none"> • Water in base pan is picked up by the fan blade and thrown onto the warm outdoor coil where water then evaporates.



Limited Warranty



DAEWOO ELECTRONICS AMERICA, INC. warrants the following window room air-conditioner to be free from defective material and workmanship and agrees to remedy any such defect or to furnish a new part (at the Company's option) in exchange for any part of any unit of its manufacture which under normal installation, use and service disclosed such defect, provided the unit is delivered by the owner to store or dealer where purchased or Daewoo authorized service center. To establish and receive warranty service at our store, dealer or our authorized service center, a sales receipt or bill of sales is required for proof of purchase.

This warranty does not extend to any of our electronic products which have been subjected to misuse, neglect, accident, incorrect wiring not our own, improper installation, unauthorized modification, or to use in violation of instructions furnished by us, nor units which have been repaired or altered outside of our factory, nor to cases where the serial number thereof has been removed, defaced, or changed.

This warranty is in lieu of all warranties expressed or implied and no representative or person is authorized to assume for us any other liability in connection with the sales of our electronic products.

Over the counter exchange for units that are initially defective. Initial defective is described as when the dealer opens the unit and finds that it is inoperative or an individual customer opening a new unit and finding that it is initially defective. This unit may be returned to the factory by the dealer for exchange. Under no circumstances will an individual customer be permitted to return defective unit directly to factory. Exchange must be directly with the dealer. When this unit is returned to dealer, a copy of the purchase evidence stating the date of purchase is to be put in the individual box for dealer's further control with the factory.

<u>MODEL</u>	<u>PARTS</u>	<u>LABOR</u>	<u>COMPRESSOR</u>
DWC-052CAL	1 year	1 year	5 years


Note: The warranty service center list is constantly changing with the addition of our current qualified service centers. If there is inadequate or no local service facility, subject individual customer will call DAEWOO on the toll free number 1-877-DWESVC3(1-877-393-7823) www.e-daewoo.com to be provided with further informations.



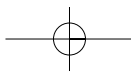
**ROOM AIR CONDITIONER
USE & CARE MANUAL**
WINDOW TYPE ROOM AIR CONDITIONER

MODEL #: **DWC-052CAL**



Please read carefully and thoroughly this manual before operating the unit.
If you still have any difficulties or problems, consult your dealer for help or  DAEWOO ELECTRONICS.
Please keep this manual well.

W1



ABOUT THIS MANUAL

VISION CREATIVE, INC.

6 4

	()	TEL
MODEL	DWC - 052CAL	
BUYER	DEAM - NJ ()	
	1 04.12.2	6
	2	7
	3	8
	4	9
	5	10
MEMO		
04.12.2 - 2,4,8, , -		

VISION

TEL : 02)730 - 0660

FAX : 02)730 - 3788

