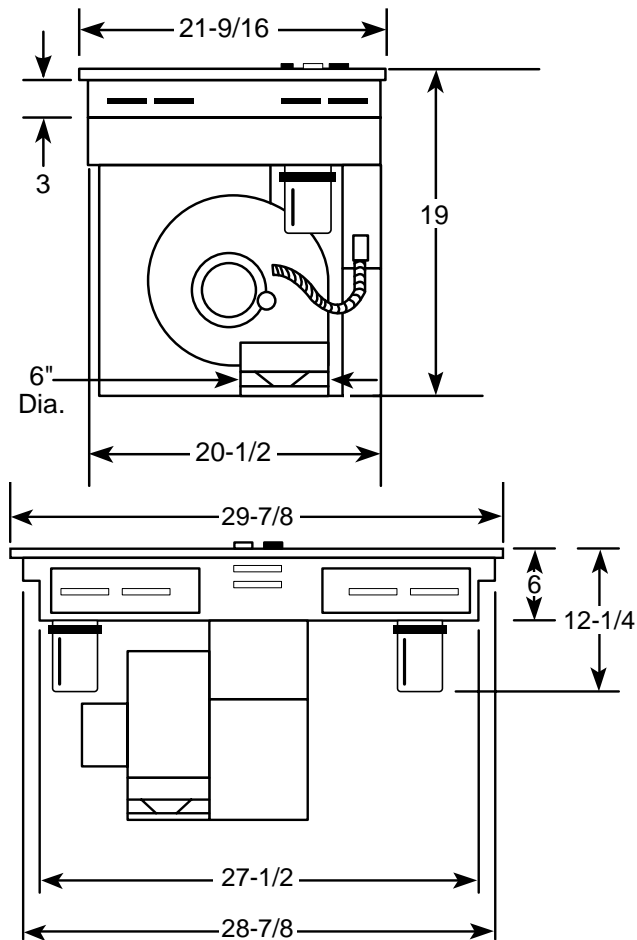




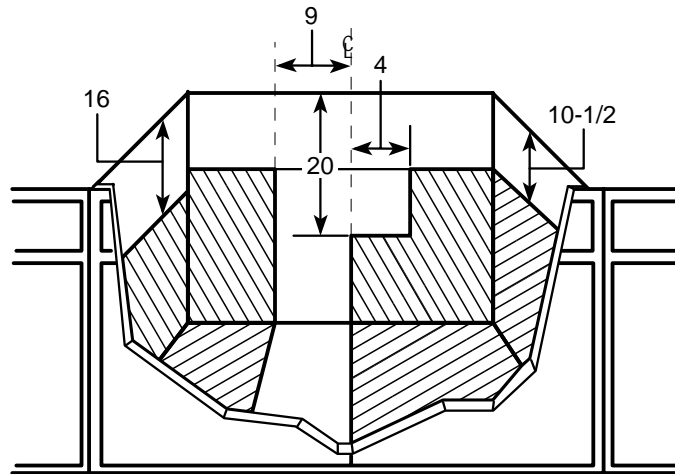
GE Appliances

## JP385BV—GE Select-Top™ Modular Downdraft Cooktop

Built-In Downdraft Modular Cooktop  
Dimensions (in inches)



Built-In Downdraft Modular Cooktop Cabinet  
Dimensions (in inches)



**Receptacle Location:** Install an approved junction box within shaded area shown in diagram. Junction box must be at least  $10\frac{1}{2}$ " below top of cabinet.

**Installation Information:** Before installing, consult installation instructions [Pub. No. 49-8552] packed with product for current dimensional data.

Specification Revised 6/99

For answers to your Monogram,  
GE Profile Performance Series,  
GE Profile™ or GE appliance questions, call  
GE Answer Center® service, 800.626.2000.

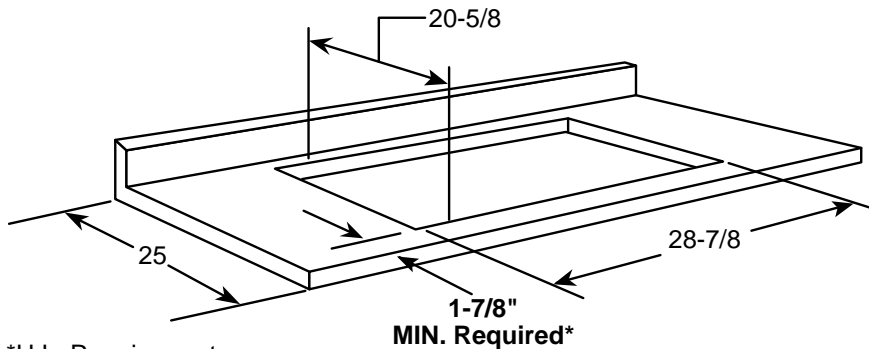




GE Appliances

## JP385BV—GE Select-Top™ Modular Downdraft Cooktop

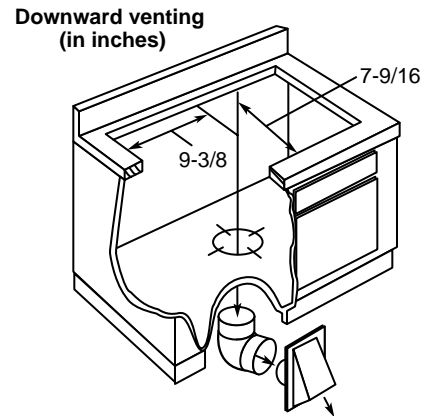
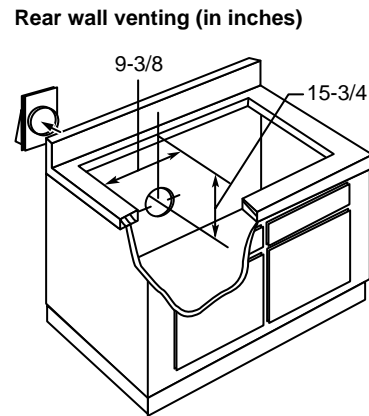
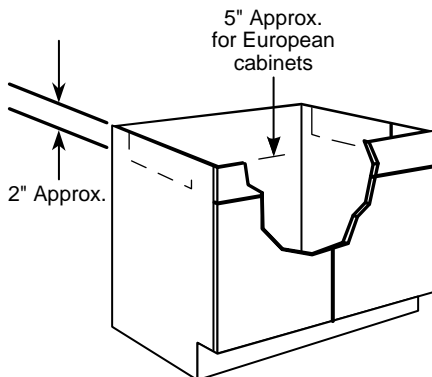
Cutout Dimensions (in inches)



\*U.L. Requirement.

**Note:** A 6" minimum spacing to adjacent side wall is required

### Preparing the Cabinet for Installation



**Note:** In some cabinets, the sides may need to be scooped or cut down 2" as shown and the corner braces removed in order to accommodate the cooktop.

**Wall Installation:** Wall installations require 25" countertop depth. When cabinet is flush against the wall, the fan housing can be rotated to the horizontal position for direct venting through rear wall. Make a countertop cutout that is centered in the range cabinet according to unit dimensions and installation type. Duct hole is positioned in back of cabinet for through-the-wall ducting.

**Peninsula or Island Installation:** For peninsula or island installation, a minimum 26" countertop depth is suggested. Blower should be in vertical position. Island or peninsula cabinets may require adjustment in cutout depth and/or location within the width dimensions. Duct hole is positioned in bottom of cabinet for island or peninsula installation.

**Slab Installation:** For peninsula or island installation and rear wall ducting, **PVC duct or locally-approved piping should be used if installing under a poured concrete slab.**

**Installing the Ductwork:** Use minimum 26-gauge galvanized or 24-gauge aluminum duct in 6" round or 3-1/4" x 10" size, or combination of both.

**PVC duct or locally approved piping should be used if installing under a poured concrete slab.**

For answers to your Monogram®, GE Profile Performance Series™, GE Profile™ or GE appliance questions, call GE Answer Center® service, 800.626.2000.

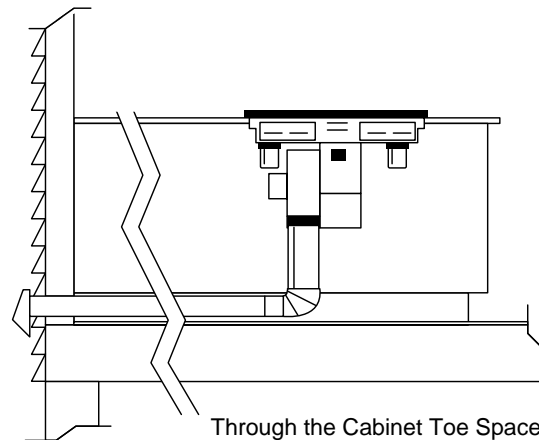
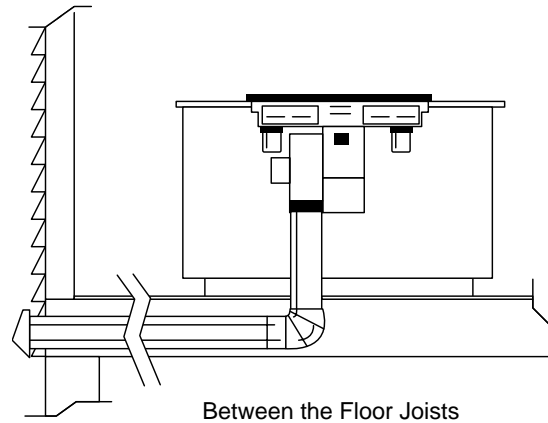
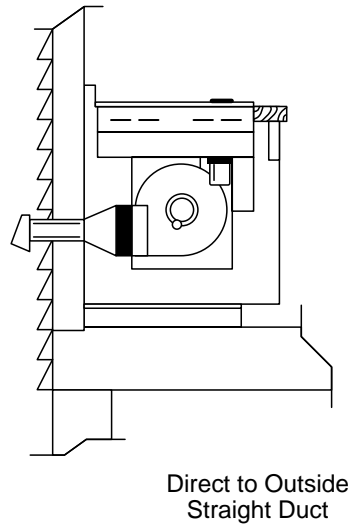
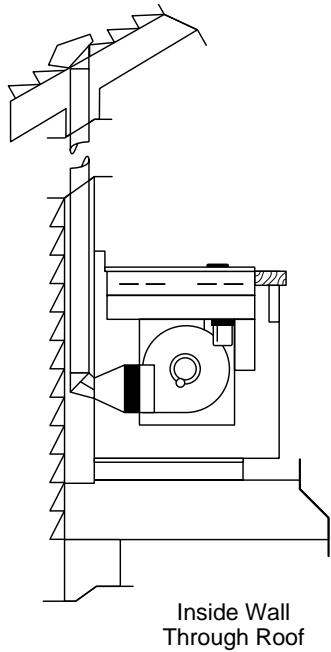




GE Appliances

## JP385BV—GE Select-Top™ Modular Downdraft Cooktop

### Venting Options



KW Rating	
240V	8.0
Breaker Size	
40 Amps†	

†**Note:** Check local codes for required breaker size

**Note:** Ductwork **must** be vented to outside. **Do not** vent into a wall, ceiling, crawlspace, attic or any concealed space. Always use an appropriate roof or wall cap with damper. **Laundry-type wall caps should never be used.** For maximum efficiency use the shortest and straightest duct run possible, with as few fittings as possible. For satisfactory performance, the duct run should not exceed 100 feet equivalent length. Refer to the table of equivalent lengths (shown in Pub. No. 49-8552) for various duct configurations.

**Installation Information:** Before installing, consult installation instructions [Pub. No. 49-8552] packed with product for current dimensional data.

For answers to your Monogram®, GE Profile Performance Series™, GE Profile™ or GE appliance questions, call GE Answer Center® service, 800.626.2000.





GE Appliances

## JP385BV—GE Select-Top™ Modular Downdraft Cooktop



### Features and Benefits

- Black on black Model
- 30" Single Modular Cooktop
- Fixed 6" and 8" Plug-In Calrod® Heating Elements
- Infinite Heat Rotary Controls
- Powerful Downdraft Venting System
- Heating Element "ON" Indicator Light
- Porcelain-Enameled Cooktop
- Left Side Accepts Optional Cooking Modules
- Single-Speed Downdraft Vent Fan
- Optional Modules Available At Additional Cost
- Also Available In White on white as Model JP385WV and In Brushed-Chrome as Model JP385CV

	Models		
<b>Optional modules (available at additional cost)</b>	<b>JP385WV</b>	<b>JP385BV</b>	<b>JP385CV</b>
<b>Calrod® modules</b>	JXDC44RWH	JXDC43RBL	JXDC41NBC
<b>Ribbon modules</b>	JXDR50VW	JXCDCR50VB	JXDR50VC
<b>Grill modules</b>	JXDL44N	JXDL44N	JXDL44N
<b>Griddle Accessory</b>	JXDD44R	JXDD44R	JXDD44R
<b>Grill Cover</b>	JXDM3	JXDM2	JXDM2