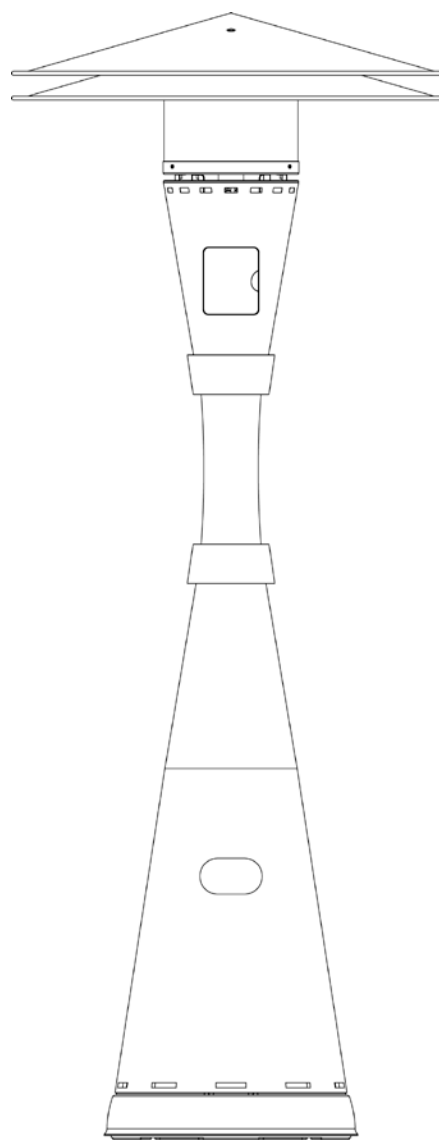


## All Weather Woven Heater

Model No. GWU9850F / 35554 (A & B)



 <b>DANGER</b>	<p><b>CARBON MONOXIDE HAZARD</b></p> <ul style="list-style-type: none"> <li>• This appliance can produce carbon monoxide which has no odor.</li> <li>• Using it in an enclosed space can kill you.</li> <li>• Never use this appliance in an enclosed space such as a camper, tent, car or home.</li> </ul>

 <b>WARNING</b> <b>FOR YOUR SAFETY:</b>
<p><b>For Outdoor Use Only</b> (outside any enclosure)</p>

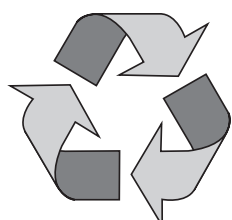
 <b>WARNING</b> <b>FOR YOUR SAFETY:</b>
<ul style="list-style-type: none"> <li>▲ <b>Improper installation, adjustment, alteration, service or maintenance can cause injury or property damage.</b></li> <li>▲ <b>Read the installation, operation and maintenance instructions thoroughly before installing or servicing this equipment.</b></li> <li>▲ <b>Failure to follow these instructions could result in fire or explosion, which could cause property damage, personal injury or death.</b></li> </ul>

Save these instructions for future reference. If you are assembling this unit for someone else, give this manual to him or her to read and save for future reference.

Table of Contents	
Important Safeguards . . . . .	Page 2
Exploded View & Hardware . . . . .	3
Assembly Instructions . . . . .	4
Installing LP Gas Tank . . . . .	7
Insert LP Gas Tank . . . . .	7
Secure LP Gas Tank . . . . .	7
Connect LP Gas Tank . . . . .	7
Disconnect LP Gas Tank . . . . .	7
Operating Instructions . . . . .	7
Checking for Leaks . . . . .	7
Before Lighting . . . . .	7
Lighting . . . . .	7
When heater is ON . . . . .	8
Re-Lighting . . . . .	8
Shutdown . . . . .	8
Cleaning and Care . . . . .	8
Cleaning Surfaces . . . . .	8
Maintenance . . . . .	8
Storage . . . . .	8
Product Registration . . . . .	8
Limited Warranty . . . . .	9
Specifications . . . . .	9
Troubleshooting . . . . .	10

The use and installation of this product must conform to local codes. In absence of local codes, use the *National Fuel Gas Code, ANSI Z223.1/NFPA 54, CAN/CGA-B149.1, Natural Gas and Propane Installation Code.*

California Proposition 65: Chemicals known to the State of California to cause cancer, birth defects, or other reproductive harm are created by the combustion of propane.



**Made from 70% Bagasse**  
(Environmentally Friendly Sugar Cane Pulp By-product)



Manufactured in China for: Blue Rhino Global Sourcing, Inc  
Winston-Salem, NC 27105 USA • 1.800.762.1142, [www.bluerhino.com](http://www.bluerhino.com)  
© Blue Rhino Global Sourcing, Inc. All Rights Reserved.  
Frontgate® is a Registered Trademark of Frontgate, Inc. All Rights Reserved

**DANGERS and WARNINGS: FOR YOUR SAFETY****DANGER**

If you smell gas -

1. Shut off gas to appliance.
2. Extinguish any open flame.
3. If odor continues, keep away from the appliance and immediately call your gas supplier or your fire department.

**WARNING  
FOR YOUR SAFETY**

1. Do not store or use gasoline or other flammable vapors and liquids in the vicinity of this or any other appliance.
2. An LP cylinder not connected for use shall not be stored in the vicinity of this or any other appliance.

**▲ DANGER:** Failure to follow the dangers, warning and cautions in this manual may result in serious bodily injury or death, or in a fire or an explosion causing damage to property.

**▲ WARNING:**

**▲ This heater is for outdoor use only, and shall not be used in a building, garage or any other enclosed area.**

**▲ Always maintain at least 36" clearance (top), and 24" clearance (side) from combustible materials.**

**▲ This heater is for use with liquid propane (LP) gas only. The conversion to or attempted use of natural gas in this LP gas heater is dangerous and will void your warranty.**

**▲ LP gas Characteristics:**

a. LP gas is flammable and hazardous if handled improperly. Become aware of the characteristics before using any LP gas product.

b. LP gas is explosive under pressure, heavier than air and settles and pools in low areas.

c. LP gas in its natural state has no odor. For your safety, an odorant is added that smells like rotten cabbage.

d. Contact with LP gas can cause freeze burns to skin.

**▲ LP gas tank needed to operate. Only tanks marked "propane" may be used.**

**▲ The LP gas supply tank must be constructed and marked in accordance with the *Specifications for LP-gas Cylinders of the U.S. Department of Transportation (DOT)*; or the *Standard for Cylinders, Spheres and Tubes for the Transportation of Dangerous Goods and Commission, CAN/CSA-B339*, as applicable.**

**▲ LP gas tank must be arranged for vapor withdrawal.**

**▲ The LP gas tank must have a listed overfilling prevention device (OPD).**

**▲ Only use 20-pound cylinders equipped with a cylinder connection device compatible with the connection for outdoor cooking appliances.**

**▲ The LP gas tank must have a tank collar to protect the tank valve.**

**▲ Never use an LP gas tank with a damaged body, valve, collar or footing.**

**▲ Dented or rusted LP gas tanks may be hazardous and should be checked by your LP gas supplier prior to use.**

**▲ The LP gas tank should not be dropped or handled roughly.**

**▲ Tanks must be stored outdoors out of the reach of children and must not be stored in a building, garage or any other enclosed area. Your tank must never be stored where temperatures can reach over 125°F.**

**▲ Never keep a filled LP gas tank in a hot car or car trunk. Heat will cause the gas pressure to increase, which may open the relief valve and allow gas to escape.**

**▲ Do not store a spare LP gas tank under or near this appliance.**

**▲ Never fill the tank beyond 80 percent full.**

**▲ Never attempt to attach this heater to the self-contained LP gas system of a camper, trailer, motor home or house.**

**▲ If the above two items not followed exactly, a fire causing death or serious injury may occur.**

**▲ Place the dust cap on the cylinder valve outlet whenever the cylinder is not in use. Only install the type of dust cap on the cylinder valve that is provided with the cylinder valve. Other types of caps or plugs may result in leakage of propane.**

**▲ The use of alcohol, or prescription or non-prescription drugs may impair the consumer's ability to properly assemble or safely operate the appliance.**

**▲ Strong odors, colds, sinus congestion, etc. may prevent the detection of propane. Use caution and common sense when testing for leaks.**

**▲ Your heater has been checked at all factory connections for leaks. Recheck all connections, as movement in shipping can loosen connections.**

**▲ Check for leaks even if your unit was assembled for you by someone else.**

**▲ Do not operate if gas leak is present. Gas leaks may cause a fire or explosion.**

**▲ You must follow all leak-checking procedures before operating. To prevent fire or explosion hazard when testing for a leak:**

a. Always perform leak test before lighting the heater and each time the tank is connected for use.

b. No smoking. Do not use or permit sources of ignition in the area while conducting a leak test.

c. Conduct the leak test outdoors in a well-ventilated area.

d. Do not use matches, lighters, or a flame to check for leaks.

e. Do not use heater until any and all leaks are corrected.

If you are unable to stop a leak, disconnect the LP gas supply. Call a gas appliance serviceman or your local LP gas supplier.

**▲ Do not store or use gasoline or other flammable liquids or vapors within 25 feet (7.62 m) of this appliance.**

**▲ Do not use in an explosive atmosphere. Keep heater area clear and free from combustible materials, gasoline and other flammable vapors and liquids.**

**▲ Keep all combustible items and surfaces away from the heater at all times. DO NOT use this heater or any gas product under any overhead or near any unprotected combustible constructions.**

**▲ Combustion of propane creates carbon monoxide, which, when used in enclosed areas, can kill you.**

**▲ It is essential to keep the heater's valve compartment, burners and circulating air passages clean. Inspect heater before each use.**

**▲ Installation and repair should be done by a qualified service person.**

**▲ Do not alter heater in any manner.**

**▲ Do not use the heater unless it is COMPLETELY assembled and all parts are securely fastened and tightened.**

**▲ This heater should be thoroughly inspected before each use. Clean and inspect the hose before each use of the appliance. If there is evidence of abrasion, wear, cuts or leaks the hose must be replaced prior to the appliance being put into operation.**

**▲ Use only the regulator and hose assembly provided. The replacement regulator and hose assembly shall be that specified by the manufacturer.**

**▲ Do not attempt to repair or alter the hose/regulator for any "assumed" defect. Any modification to this assembly will void your warranty and create the risk of a gas leak and fire. Use only authorized replacement parts supplied by manufacturer.**

**▲ Inspect heater before each use. If a damaged part is detected, do not operate until an original equipment replacement part has been properly installed.**

**▲ Use only Blue Rhino Global Sourcing, Inc. factory authorized parts. The use of any part that is not factory authorized can be dangerous. This will also void your warranty.**

**▲ Dome and burner are extremely hot to the touch during operation. Never touch the dome or burner while the heater is operating. The surface of heater's emitter can reach temperatures approaching 1600°F. Wait for unit to cool down (approximately 45 minutes) after use before touching.**

**▲ Do not attempt to move heater when in use. Allow the heater to cool (approximately 45 minutes) before moving or storing.**

**▲ Always allow heater to cool (approximately 45 minutes) before attempting service.**

**▲ Do not install or use in or on boats or recreational vehicles.**

**▲ Do not use this heater in a vehicle trunk, station wagon, pick-up truck, mini-van, sport utility vehicle (SUV), or recreational vehicle (RV).**

**▲ Do not use heater in winds that exceed 10 m.p.h..**

**▲ Unit will operate at reduced efficiency below 40°F (5°C).**

**▲ Do not leave a lit heater unattended, especially keep children and pets away from heater at all times.**

**▲ Always use extreme caution when near heater. Alert both children and adults to the hazards of high temperatures, especially to avoid burns or clothing catching fire.**

**▲ Storage of heater indoors is permissible only if the tank is disconnected, removed from the heater and properly stored outdoors.**

**▲ Do not attempt to disconnect the gas regulator from the tank or any gas fitting while the heater is in use.**

**▲ Always place your heater on a hard, level surface.**

**▲ Use extreme caution on wooden decks.**

**▲ Move gas hoses as far away as possible from hot surfaces.**

**▲ Keep all electrical cords away from a hot heater.**

**▲ Do not use heater for indoor cooking or heating. TOXIC fumes can accumulate and cause asphyxiation.**

**▲ Keep sprinklers and other water sources away from burner and controls.**

**▲ Do not hang clothing or other flammable materials either on or near heater.**

**▲ Never cover the heater shroud while LP gas tank is enclosed.**

**▲ Any guard or other protective device removed for servicing the heater must be replaced prior to operating the heater.**

**▲ Certain materials or items, when stored under heater, will be subjected to radiant heat and could be seriously damaged.**

**▲ After a period of storage and/or nonuse, check for leaks or burner obstructions and inspect for any abrasion, wear or cuts to the hose.**

**▲ If at any time you are unable to light burner and smell gas, turn off, wait 5 minutes to allow gas to dissipate before attempting to light heater.**

**▲ Failure to not wait 5 minutes to allow the gas to clear if the heater does not light, may result in an explosive flame-up.**

**▲ Be careful when attempting to manually ignite this heater. Holding in the control knob for more than 10 seconds before igniting the gas will cause a ball of flame upon ignition.**

**▲ Avoid inhaling fumes emitted from the heater's first use. Smoke and odor from the burning of oils used in manufacturing will appear. Both smoke and odor will dissipate after approximately 30 minutes. The heater should NOT produce thick black smoke.**

**▲ If heater is not in use, the gas must be turned off at the supply tank.**

**▲ Do not use this appliance without reading the "Operating Instructions" in this manual.**

**▲ Use protective gloves when assembling this product.**

**▲ Do not force parts together as this can result in personal injury or damage to the product.**

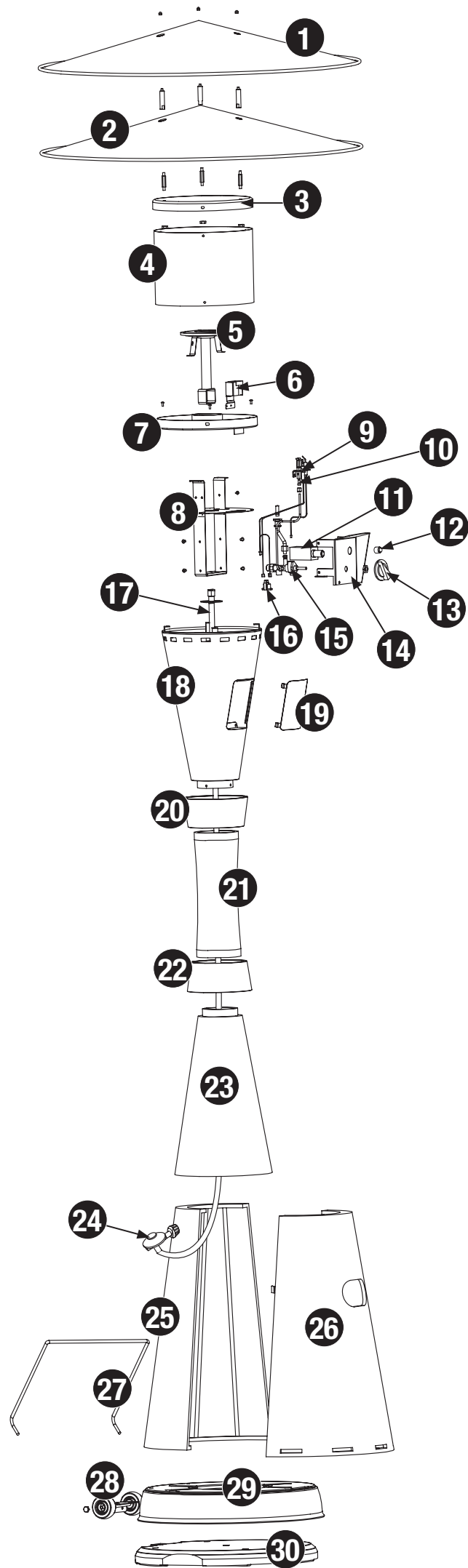
**▲ Deaths, serious injury or damage to property may occur if the above is not followed exactly.**

### Parts List

1	Upper Dome	56-01-614
2	Lower Dome	56-01-615
3	Emitter Top*	56-01-616
4	Emitter Screen*	56-01-617
5	Burner*	56-01-618
6	Pilot Heat Shield*	56-01-619
7	Bottom Plate	56-01-620
8	Valve Support Bracket*	56-01-621
9	Pilot Assembly*	56-01-127
10	Burner Orifice*	56-01-131
11	Electronic Igniter*	56-01-142
12	Igniter Button*	56-01-622
13	Control Knob*	56-01-156
14	Access Panel*	56-01-623
15	Valve*	56-01-144
16	Tip Switch*	56-01-019
17	Gas Line	56-01-190
18	Engine Cover*	56-01-624
19	Control Panel Door*	56-01-625
20	Upper Cap	56-01-626
21	Pole	56-01-627
22	Lower Cap	56-01-628
23	Shroud Cap	56-01-629
24	Regulator/Hose Assembly	56-01-192
25	Shroud Back	56-01-630
26	Shroud Front	56-01-631
27	Tank Retainer Wire	56-01-632
28	Wheel Assembly	56-01-633
29	Base	56-01-634
30	Weight Plate	56-01-635

\* Pre Assembled

### Exploded View

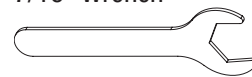


### Hardware

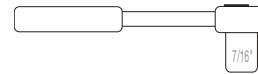
A	Screw	M6x25 Black Zinc Plated Philips Truss Head	4 pcs
B	Screw	M6x40 Black Zinc Plated Philips Truss Head	4 pcs
C	Bolt	Nickel Plated	3 pcs
D	Bolt	Nickel Plated	3 pcs
E	Bolt	Nickel Plated	4 pcs
F	Nut	M5 Stainless Steel	3 pcs
G	Nut	M6 Black Zinc Plated	4 pcs
H	Washer	ø5 Zinc Plated	3 pcs
I	AA Battery	AA Battery	1 pc

### Tools Required for Assembly (Not Included)

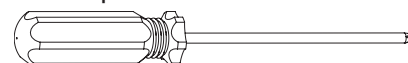
7/16" Wrench



5/16" Socket and Socket Wrench



#2 Phillips Head Screwdriver



## Assembly Instructions

# 1

### DO NOT RETURN PRODUCT TO STORE.

For assistance call **1.800.762.1142** toll free. Please have your owner's manual and serial number available for reference.

For Easiest Assembly:

- To avoid losing any small components or hardware, assemble your product on a hard, level surface that does not have cracks or openings.
- Clear an area large enough to lay out all components and hardware.
- When applicable, tighten all hardware connections by hand first. Once the step is completed go back and fully tighten all hardware.
- Follow all steps in order to properly assemble your product.

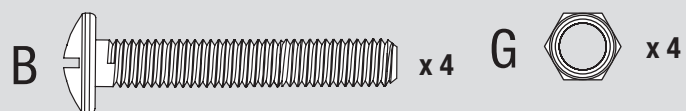
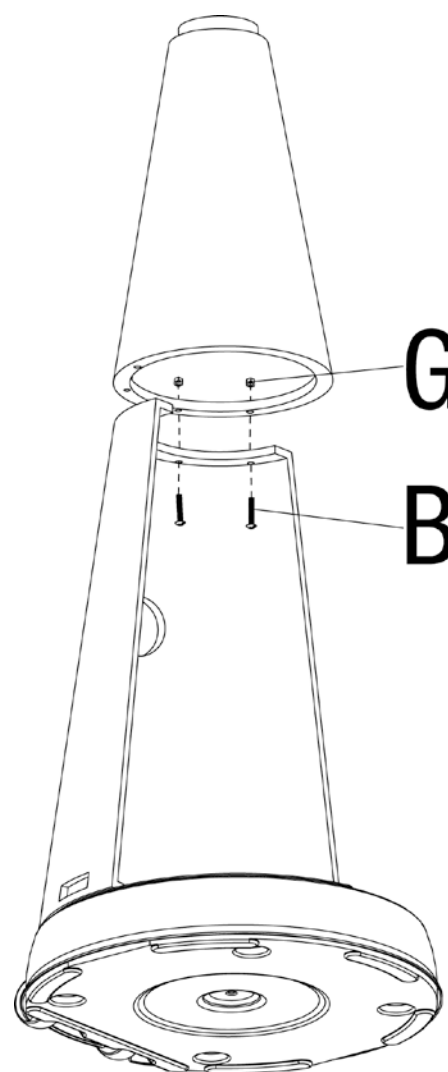
To complete assembly you will need:

- (1) Leak Detection Solution (Instructions on how to make solution are included in step the "Operating Instructions")
- (1) Precision Filled LP Gas Grill Tank with Acme Type 1 external threaded valve connection (4-5 gallon size)

Typical assembly: approximately 1 (one) hour.

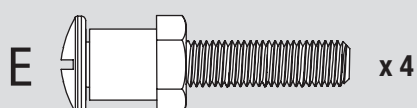
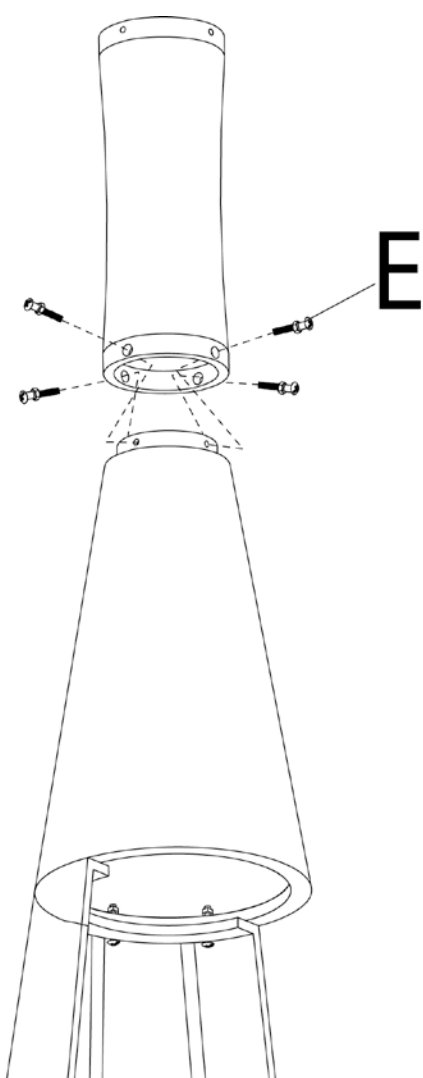
# 2

### Attach Base



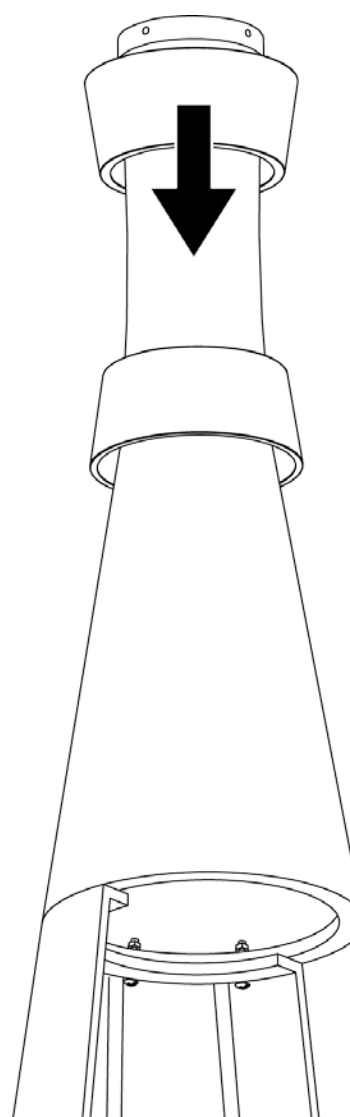
# 3

### Attach Pole



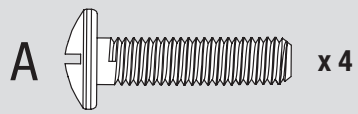
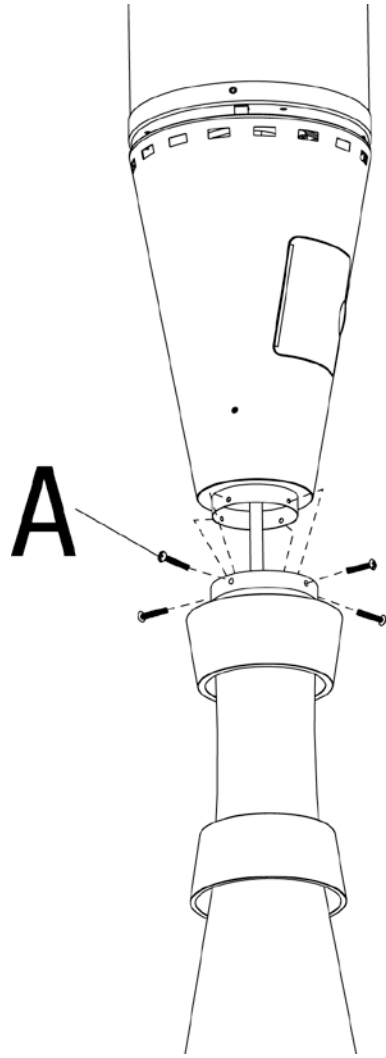
# 4

### Place Caps



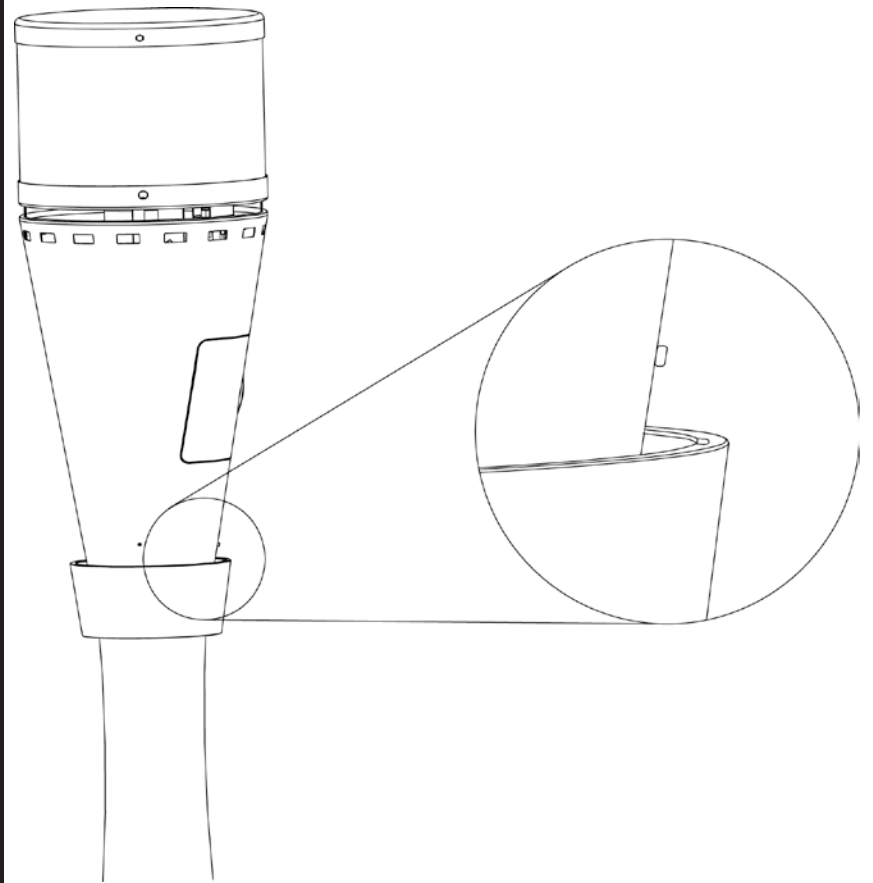


# 5 Attach Engine Assembly

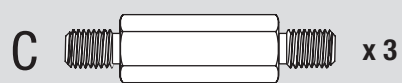
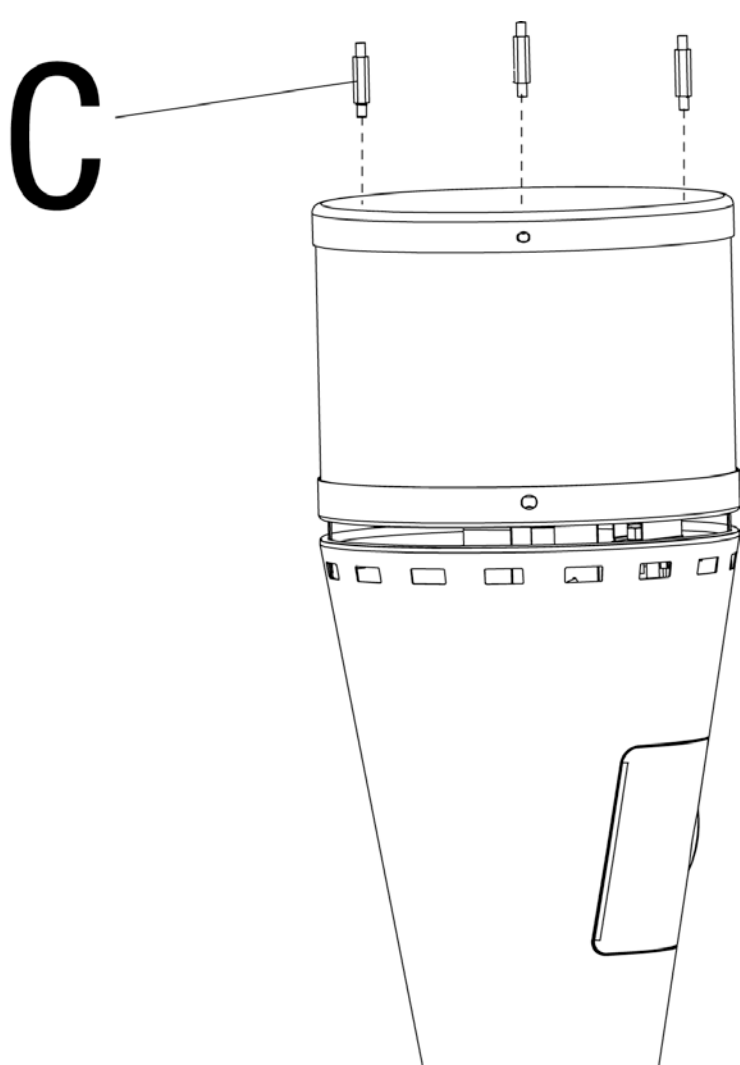


# 6 Secure Upper Cap

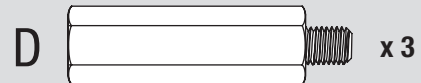
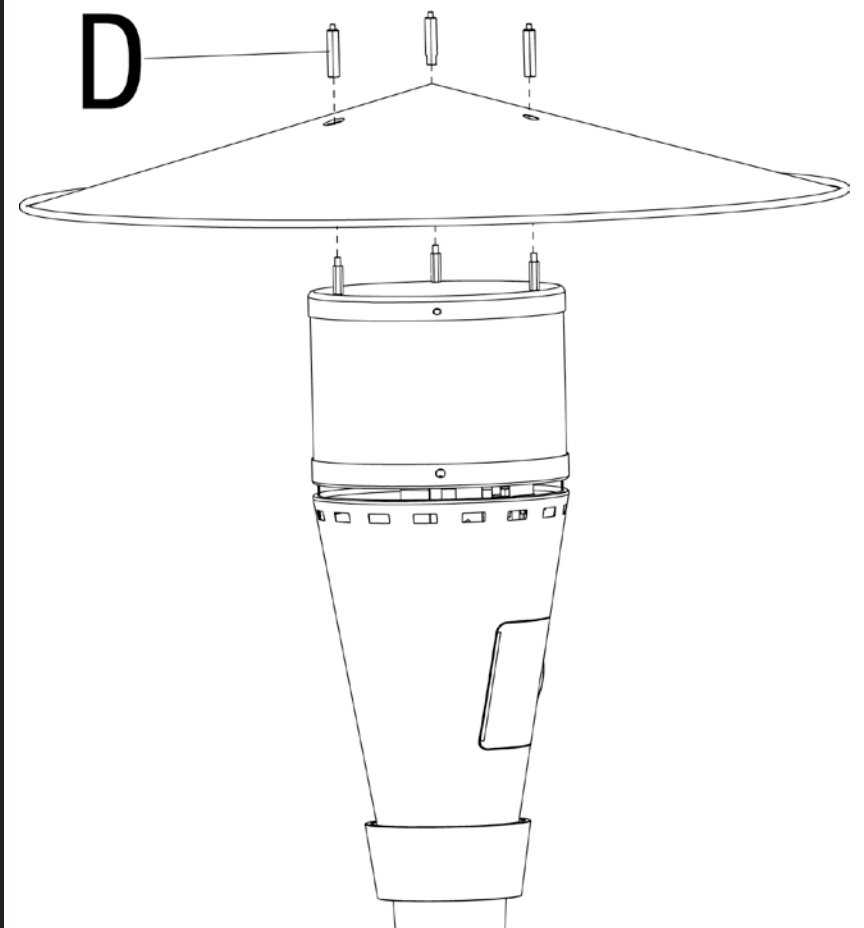
*Note:* Upper cap must align with the notch on the engine assembly and lock into position.



# 7 Attach Bolts



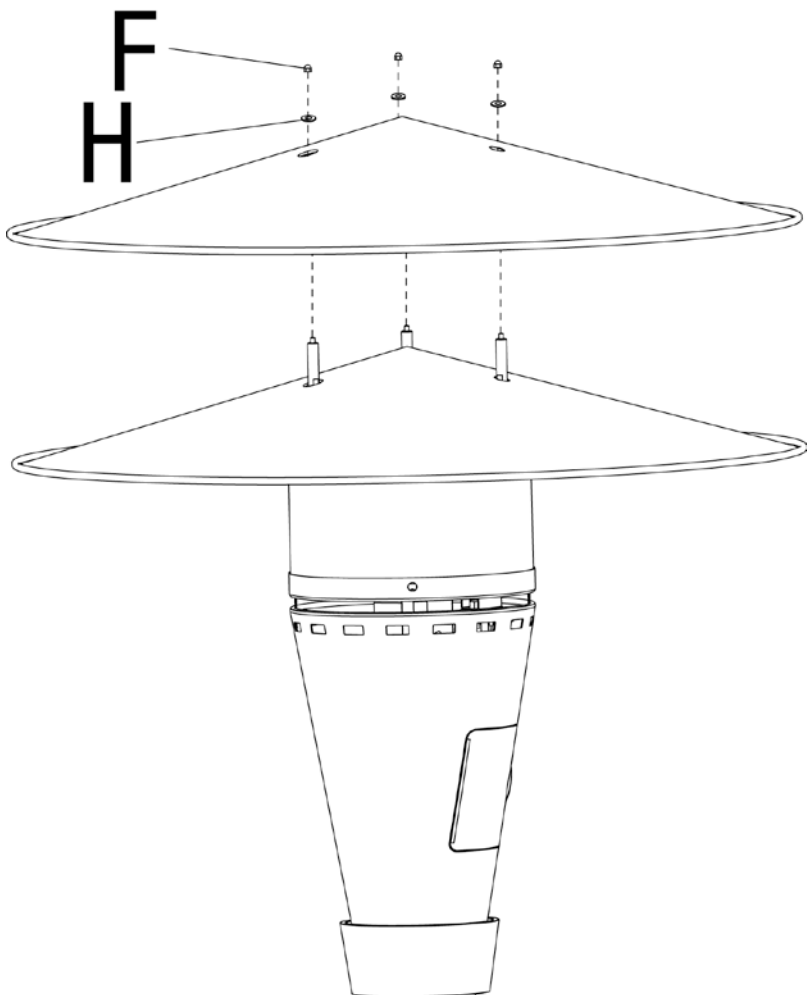
# 8 Attach Lower Dome



## Assembly Instructions (continued)

9

### Attach Upper Dome

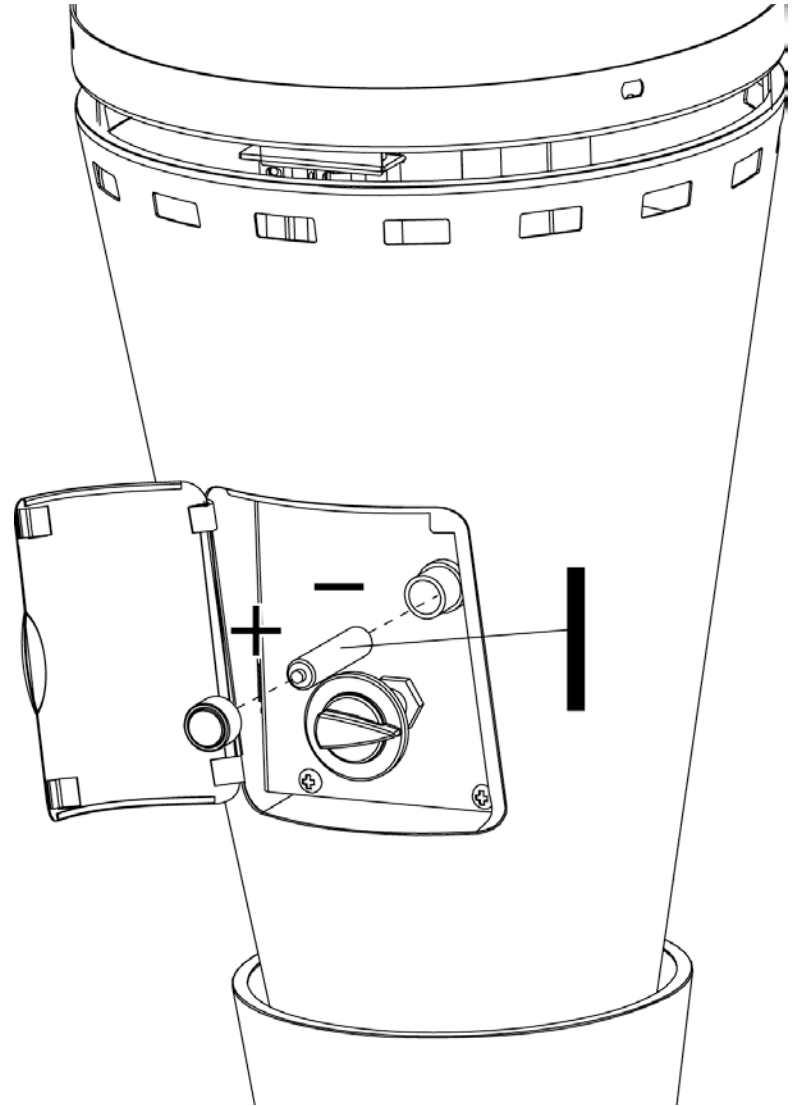


F  x3

H  x3

10

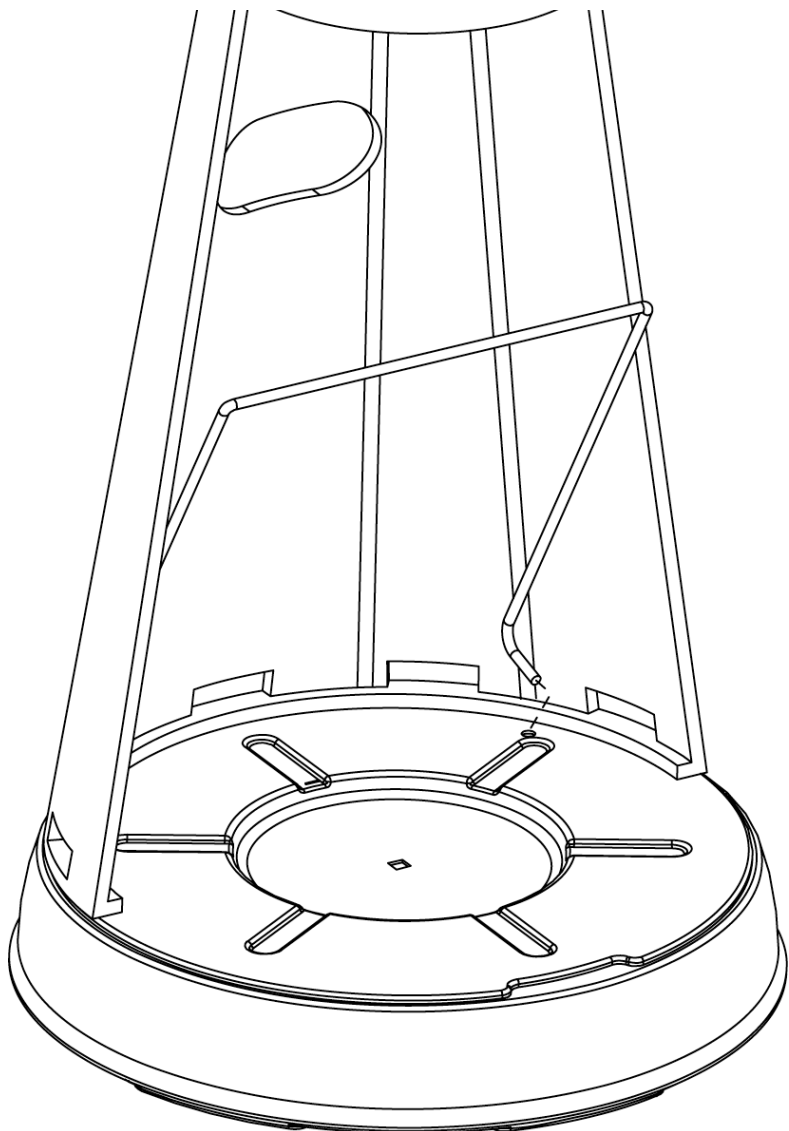
### Insert Battery



 x1

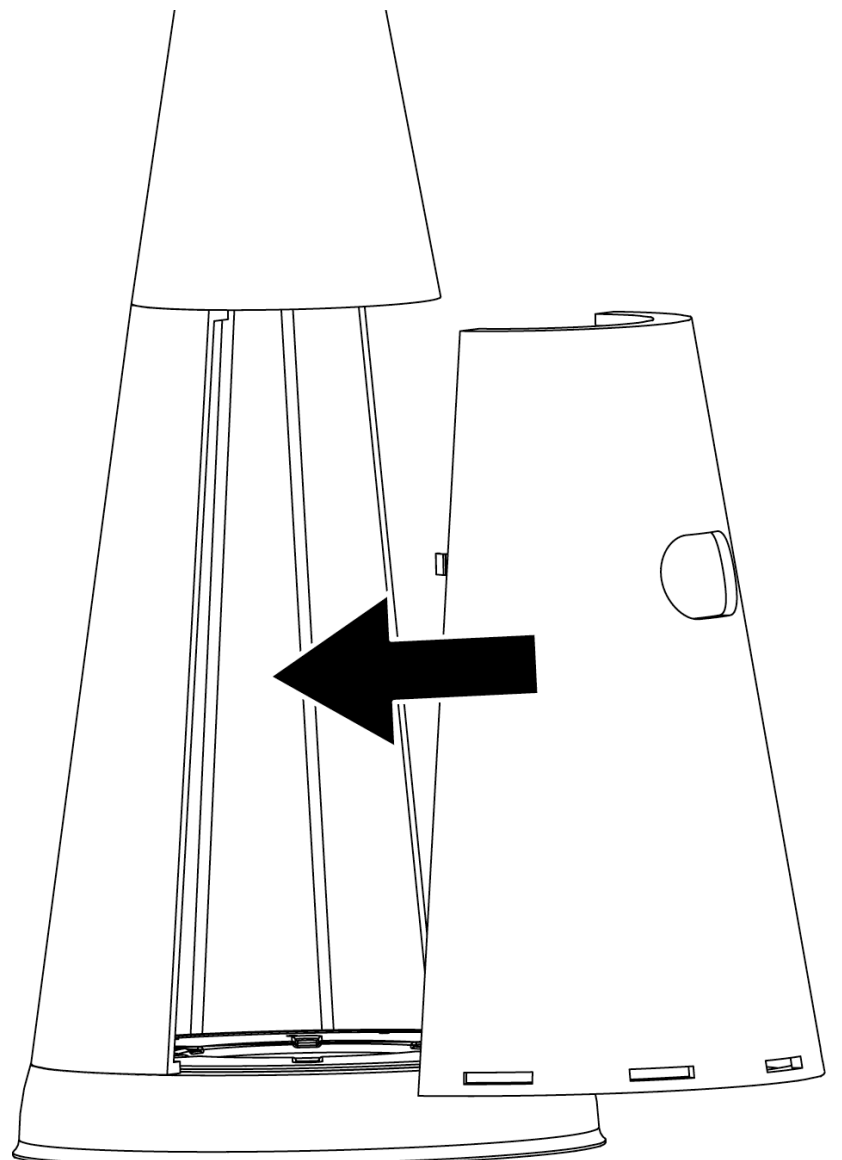
11

### Attach Tank Retainer Wire



12

### Attach Shroud Front



## Installing LP Gas Tank

To operate you will need (1) precision-filled standard grill LP gas tank (20 lbs.) with external valve threads.

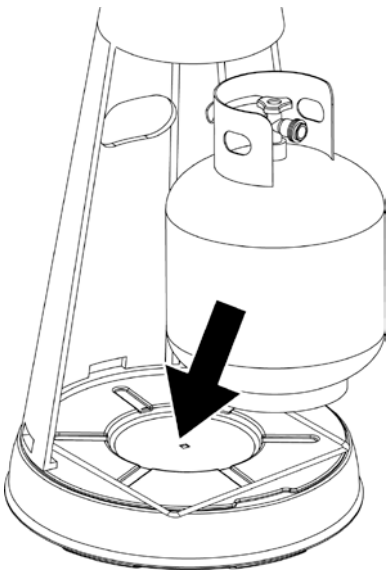
*Note:* An empty standard grill LP gas tank weighs approximately 18 lbs. A precision-filled standard grill LP gas tank should weigh no more than 38 lbs.

**▲ Caution: LP gas tank must be properly disconnected and removed prior to moving this heater.**



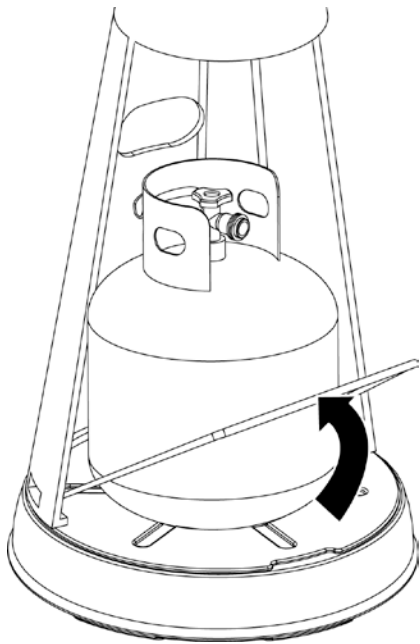
## Insert LP Gas Tank

Place precision filled LP gas tank upright into hole in patio heater so it is arranged for vapor withdrawal.



## Secure LP Gas Tank

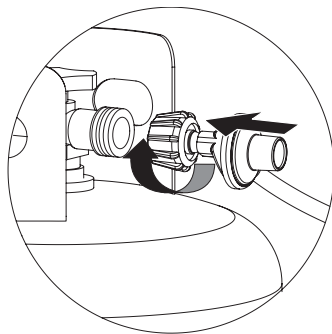
Secure tank in place by attaching loose end of tank restraint chain to hole in right leg.



## Connect LP Gas Tank

Before connecting, be sure that there is no debris caught in the head of the LP gas tank, head of the regulator valve or in the head of the burner and burner ports.

Connect gas line to tank by turning knob clockwise until it stops.

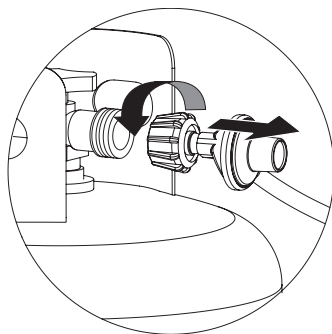


## Disconnect LP Gas Tank

Before disconnecting make sure the LP gas tank valve is "CLOSED".

Disconnect gas line from LP gas tank by turning knob counterclockwise until it is loose.

**▲ Caution: LP gas tank must be properly disconnected and removed prior to moving this heater.**



**Need a tank of gas?** Try tank exchange service. It's easy, fast, safe, and available at tens of thousands of conveniently located retail outlets nationwide. You can purchase a new full tank or exchange your empty for a precision filled one.

## Operating Instructions

### Checking for Leaks

#### Burner Connections

1. Make sure the regulator valve and hose connections are securely fastened to the burner and the tank.
2. If your unit was assembled for you, visually check the connection between the burner pipe and orifice. Make sure the burner pipe fits over the orifice.

**▲ WARNING: Failure to inspect this connection or follow these instructions could cause a fire or an explosion which can cause death, serious bodily injury, or damage to property.**

3. If the burner pipe does not rest flush to the orifice, please contact 1.800.762.1142 for assistance.

#### Tank/Gas Line Connection

1. Make 2-3 oz. of leak solution by mixing one part liquid dishwashing soap with three parts water.
2. Make sure control knob is in "OFF" position. (Figure 3)
3. Turn LP gas tank valve to "OPEN".
4. Spoon leak check solution at all "X" locations. (Figures 1 and 2)
  - a. If any bubbles appear turn LP gas tank valve to "CLOSED", reconnect and re-test.
  - b. If you continue to see bubbles after several attempts, turn LP gas tank valve to "CLOSED", disconnect LP gas tank and contact 1.800.762.1142 for assistance.
  - b. If no bubbles appear after one minute turn LP gas tank valve to "CLOSED", wipe away solution and proceed.

Figure 1

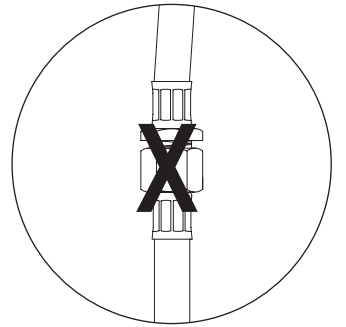
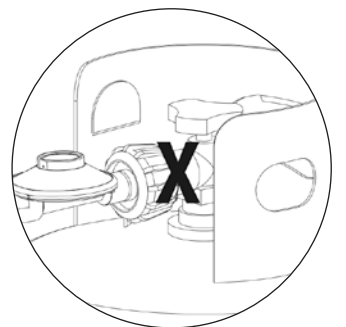


Figure 2



### Before Lighting

1. Heater should be thoroughly inspected before each use, and by a qualified service person at least annually.
2. If relighting a hot heater, always wait at least 5 minutes.
3. Inspect the hose assembly for evidence of excessive abrasion, cuts or wear. Suspected areas should be leak tested. If the hose leaks, it must be replaced prior to operation. Only use the replacement hose assembly specified by manufacturer.

### Lighting

*Note:* This heater is equipped with a pilot light that allows for safer startups and shutdowns. Pilot must be lit before main burner can be started.

1. Control knob must be in the "OFF" position. (Figure 3)
2. Turn LP gas tank valve to "OPEN".
3. Open viewing hole by sliding cover to either side. (Figure 6)
4. Push control knob in and rotate to "PILOT" position. (Figure 4)

*Note:* For initial start or after any tank change, hold control knob in for 2 minutes to purge air from gas lines before proceeding.

5. **Push-button Ignition:** Immediately push igniter button a couple of times. Pilot light flame will appear and be visible through viewing hole.

**Electronic Ignition:** Immediately push igniter button for five (5) seconds. Pilot light flame will appear and be visible through viewing hole.

6. Release control knob after 30 seconds. Pilot light will remain lit.
7. If ignition does not occur, turn control knob "OFF", wait 5 minutes and repeat lighting procedure.
8. Turn control knob to "HIGH". (Figure 5) Main burner will light immediately. Flame is visible through viewing hole. If not, turn control knob "OFF", wait 5 minutes, and repeat lighting procedure.
9. If for some reason your igniter fails to deliver a spark, your heater can be started by inserting a lit match through the pilot view hole while pushing the control knob in while in the "PILOT" position.

**▲ WARNING: Be careful when attempting to manually ignite this heater. Holding in the control knob for more than 10 seconds before igniting the gas will cause a ball of flame upon ignition.**

Have a question or are having problems visit [www.bluerhino.com](http://www.bluerhino.com) or call 1.800.762.1142.

Figure 3

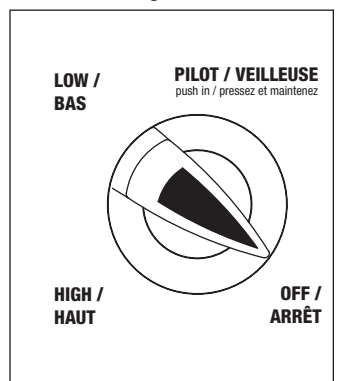


Figure 4

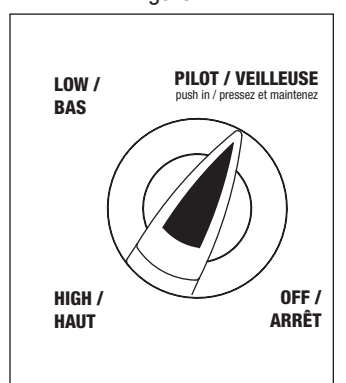


Figure 5

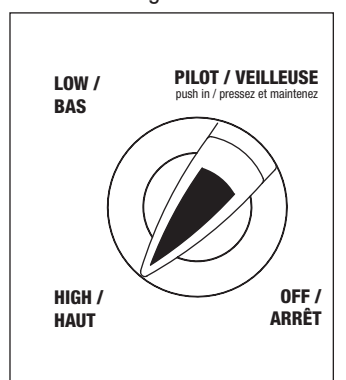
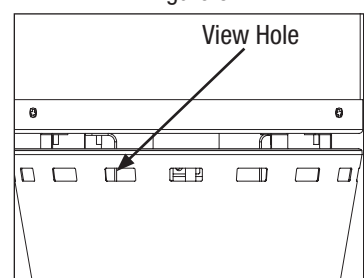


Figure 6



## Operating Instructions (continued)

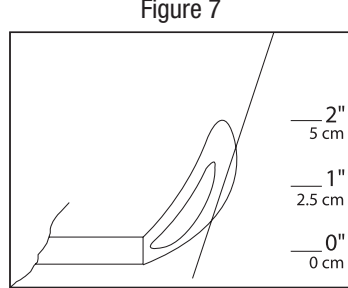
*Note:* The burner may be noisy when initially turned on. To eliminate excessive noise from the burner turn the control knob to the pilot position, then turn the knob to the level of heat desired.

### When heater is ON:

Emitter screen will become bright red due to intense heat. The color is more visible at night.

Burner will display tongues of blue and yellow flame. These flames should not be yellow or produce thick black smoke, indicating an obstruction of airflow through the burners. The flame should be blue with straight yellow tops. (Figure 7)

If excessive yellow flame is detected, turn off heater and visit [www.bluerhino.com](http://www.bluerhino.com) or call 1.800.762.1142.



### Re-lighting

*Note:* For your safety, control knob cannot be turned "OFF" without first depressing control knob in PILOT position and then rotating it to "OFF".

1. Turn control knob to "OFF".
2. Wait at least 5 minutes to let gas dissipate.
3. Repeat the "Lighting" procedure.

### Shut Down

1. Turn control knob clockwise to pilot. (Normally, burner will make a slight popping sound when extinguished.) Burner will extinguish but pilot will remain "ON".
2. To extinguish pilot, depress control knob and continue to turn it clockwise to "OFF".
3. Turn tank valve to "CLOSED" and disconnect regulator when heater is not in use.

*Note:* After use, some discoloration of the emitter screen is normal.

## Cleaning and Care

**▲ CAUTION: All cleaning and maintenance should be done when patio heater is cool and with the fuel supply disconnected.**

**▲ CAUTION: DO NOT clean any patio heater part in a self cleaning oven. The extreme heat will damage the finish.**

### Notices

1. This heater should be thoroughly cleaned on a regular basis.
2. Abrasive cleaners will damage this product.
3. Never use oven cleaner to clean any part of heater.
4. More frequent cleaning may be required as necessary. It is imperative that control compartment, burners and circulating air passageways of the heater be kept clean.
5. Have heater inspected annually and repairs should be made by a qualified service person.
6. Inspect heater before each use.
7. Spiders and insects can create a dangerous condition that may damage the heater or make it unsafe. Keep burner area clean of all spiders, webs and insects. Clean burner holes by using a heavy-duty pipe cleaner. Compressed air may help clear away smaller particles.
8. Check heater immediately if any of the following conditions exist:
  - a. The smell of gas in conjunction with extreme yellow tipping of burner flames.
  - b. Heater does not reach proper temperature.
 

*Note:* At temperatures less than 40°F, heat output will be reduced.
  - c. Heater's glow is excessively uneven
  - d. Burner makes popping noises during use.
 

*Note:* A slight pop is normal when burner is extinguished.
9. Carbon deposits may create a fire hazard. Keep dome and emitter clean at all times.
10. Do not clean heater with combustible or corrosive cleaners. Use warm, soapy water.
11. Do not paint engine, engine access panel or dome.
13. After a period of storage and/or nonuse, check for leaks, burner obstructions and inspect for any abrasion, wear or cuts to the hose.

### Cleaning Surfaces

1. Wipe surfaces clean with mild dishwashing detergent or baking soda.
2. For stubborn surfaces use a citrus based degreaser and a nylon scrubbing brush.
3. Rinse clean with water.

*Note:* While cleaning your unit, be sure to keep the area around the burner and pilot assembly dry at all times. Do not submerge the control valve assembly. If the gas control is submerged in water, do NOT use it. It must be replaced.

## Cleaning and Care (continued)

### Maintenance

To enjoy years of outstanding performance from your heater, make sure you perform the following maintenance activities on a regular basis:

1. Keep exterior surfaces clean.
2. Air flow must be unobstructed. Keep controls, burner, and circulating air passageways clean. Signs of possible blockage include:
  - Gas odor with extreme yellow tipping of flame.
  - Heater does NOT reach the desired temperature.
  - Heater glow is excessively uneven.
  - Heater makes popping noises.

*Note:* In a salt-air environment (such as near an ocean), corrosion occurs more quickly than normal. Frequently check for corroded areas and repair them promptly.

**TIP:** Use high-quality automobile wax to help maintain the appearance of your heater. Apply to exterior surfaces from the pole down. Do not apply to emitter screen or domes.

### Storage

#### Between uses:

1. Turn control knob to "OFF".
2. Turn LP gas tank valve to "CLOSED".
3. Disconnect LP gas tank.
4. Store heater upright in an area sheltered from direct contact with inclement weather (such as rain, sleet, hail, snow, dust, debris and high winds).
5. If desired, cover heater to protect exterior surfaces and to help prevent build up in air passages.

*Note:* Wait until heater is cool (approximately 45 minutes) before covering.

#### During periods of extended inactivity or when transporting:

1. Turn control knob to "OFF".
2. Turn LP gas tank valve to "CLOSED".
3. Disconnect LP gas tank and move to a secure, well-ventilated location outdoors.
4. Store heater upright in an area sheltered from direct contact with inclement weather (such as rain, sleet, hail, snow, dust, debris and high winds).
5. If desired, cover heater to protect exterior surfaces and to help prevent build up in air passages.
6. Never leave LP tank exposed to direct sunlight or excessive heat.

*Note:* Wait until heater is cool (approximately 45 minutes) before covering.

## Product Registration

For faster warranty service, register your product immediately at [www.bluerhino.com](http://www.bluerhino.com) or call 1.800.762.1142.



## Limited Warranty

Blue Rhino Global Sourcing, Inc (“Vendor”) warrants to the original retail purchaser of this product, and to no other person, that if this product is assembled and operated in accordance with the printed instructions accompanying it, then for a period of one (1) year from the date of purchase, all parts in such product shall be free from defects in material and workmanship. Vendor may require reasonable proof of your date of purchase. Therefore, you should retain your sales slip or invoice. This Limited Warranty shall be limited to the repair or replacement of parts, which prove defective under normal use and service and which Vendor shall determine in its reasonable discretion upon examination to be defective. Before returning any parts, you should contact Vendor’s Customer Service Department using the contact information listed below. If Vendor confirms, after examination, a defect covered by this Limited Warranty in any returned part, and if Vendor approves the claim, Vendor will replace such defective part without charge. If you return defective parts, transportation charges must be prepaid by you. Vendor will return replacement parts to the original retail purchaser, freight or postage prepaid.

This Limited Warranty does not cover any failures or operating difficulties due to accident, abuse, misuse, alteration, misapplication, improper installation or improper maintenance or service by you or any third party, or failure to perform normal and routine maintenance on the product as set out in this owner’s manual. In addition, the Limited Warranty does not cover damage to the finish, such as scratches, dents, discoloration, rust or other weather damage, after purchase.

This Limited Warranty is in lieu of all other express warranties. Vendor disclaims all warranties for products that are purchased from sellers other than authorized retailers or distributors, including the warranty of merchantability or the warranty of fitness for a particular purpose. VENDOR ALSO DISCLAIMS AND ANY ALL IMPLIED WARRANTIES, INCLUDING WITHOUT LIMITATION THE IMPLIED WARRANTIES OF MERCHANTABILITY AND FITNESS FOR A PARTICULAR PURPOSE. VENDOR SHALL NO LIABILITY TO PURCHASER OR ANY THIRD PARTY FOR ANY SPECIAL, INDIRECT, PUNITIVE, INCIDENTAL, OR CONSEQUENTIAL DAMAGES. Vendor further disclaims any implied or express warranty of, and assumes no responsibility for, defects in workmanship caused by third parties.

This Limited Warranty gives the purchaser specific legal rights; a purchaser may have other rights depending upon where he or she lives. Some jurisdictions do not allow the exclusion or limitation of special, incidental or consequential damages, or limitations on how long a warranty lasts, so the above exclusion and limitations may not apply to everyone.

Vendor does not authorize any person or company to assume for it any other obligation or liability in connection with the sale, installation, use, removal, return, or replacement of its equipment, and no such representations are binding on Vendor.

Blue Rhino Global Sourcing, Inc  
Winston-Salem, North Carolina USA  
(800) 762-1142

## Specifications

### Certifications:

ANS Z83.26a-2008 • CSA 2.37a-2008, Gas-Fired Outdoor Infrared Patio Heater

### Rating:

Maximum 40,000 BTU/hr. input

### Heat Range:

Up to 20 foot diameter

### Fuel:

Liquid Propane Gas (LP)

### Tank Size:

Nominal 20 lb / 5 Gallon

### Inlet gas supply pressure:

Maximum – 150 PSI

Minimum – 5 PSI

### Manifold Pressure:

11.00 in. W.C.

### Engine:

IPP E1

### Safety Features:

100% Burner shut-off

Tilt Switch

### Manufacturer:

Blue Rhino Global Sourcing, Inc

### Made In:

China

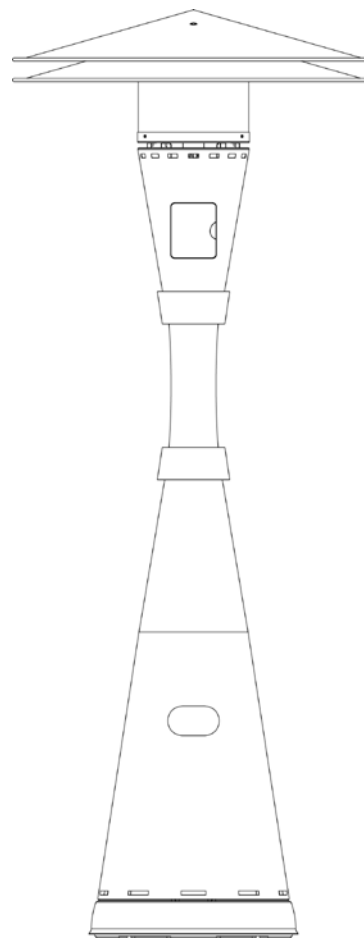
## Troubleshooting

Problem	Possible Cause	Prevention/Cure
<b>Pilot won't light</b>	Igniter fails	Light the heater manually with a match, per the "Lighting Instructions". If heater lights with a match, replace igniter
	Pilot or orifice	Clean the pilot assembly: Download and follow the correct cleaning instructions from <a href="http://www.bluerhino.com">www.bluerhino.com</a>
	LP gas tank valve is closed	Make sure regulator is securely attached to the LP gas tank, turn LP gas tank valve to "OPEN"
	Air in gas line	1. Open gas line and bleed it (pressing control knob in) for not more than 1 - 2 minutes or until you smell gas 2. Turn control knob to "OFF" 3. Wait at least 5 minutes for gas to dissipate
	Low gas pressure with tank valve fully "OPEN"	Turn LP gas tank valve "CLOSED" and replace LP gas tank
<b>Pilot won't stay lit (Residential/Commercial Heaters Only)</b>  <i>Note: Heater operates at reduced efficiency below 40°F (5°C).</i>	Dirt built up around pilot	Clean the pilot assembly: Download and follow the correct cleaning instructions from <a href="http://www.bluerhino.com">www.bluerhino.com</a>
	Connection between gas valve and pilot assembly is loose	Tighten connection and perform leak check
	Air in gas line	Open gas line and bleed it (pressing control knob in) for not more than 1 - 2 minutes or until you smell gas
	Thermocouple is not operating correctly	Clean the heater: Download and follow the correct cleaning instructions from <a href="http://www.bluerhino.com">www.bluerhino.com</a>
<b>Burner won't light</b>  <i>Note: Heater operates at reduced efficiency below 40°F (5°C).</i>	Control knob is not in "ON" position	Review "Lighting Instructions" and try again
	LP gas pressure is low	Turn LP gas tank valve "CLOSED" and replace LP gas tank
	Blockage in orifice	Clear blockage: Download and follow the correct cleaning instructions from <a href="http://www.bluerhino.com">www.bluerhino.com</a>
	Connection between gas valve and burner assembly is loose	Tighten connection and perform leak check
	Air in gas line	Open gas line and bleed it (pressing control knob in) for not more than 1 - 2 minutes or until you smell gas
<b>Burner won't stay lit</b>	Connection between gas valve and burner assembly is loose	Tighten connection and perform leak check
	Thermocouple is not operating correctly	Clean heater if still not working, obtain a new thermocouple from the manufacturer
<b>Burner flame is low</b>  <i>Note: Heater operates at reduced efficiency below 40°F (5°C).</i>	LP gas pressure is low	Turn LP gas tank valve "CLOSED" and replace LP gas tank
	Outdoor temperature is less than 40°F and tank is less than 1/4 full	Use a full LP gas tank
	Supply hose is bent or kinked	Straighten hose, if cracked obtain a new hose from the manufacturer
<b>Emitter glows uneven</b>  <i>Note: Bottom 1" of emitter normally does NOT glow.</i>	LP gas pressure is low	Turn LP gas tank valve "CLOSED" and replace LP gas tank
	Base is not on a level surface	Place heater on a level surface
	Blockage in burner	Clean the burner: Download and follow the correct cleaning instructions from <a href="http://www.bluerhino.com">www.bluerhino.com</a>
<b>Thick black smoke</b>	Blockage in burner	Remove blockage and clean burner inside and outside: Download and follow the correct cleaning instructions from <a href="http://www.bluerhino.com">www.bluerhino.com</a>

For more assistance please visit us online at [www.bluerhino.com](http://www.bluerhino.com) or call 1.800.762.1142 for immediate assistance.

## Chauffe-patio à surface tissé à l'épreuve des intempéries

Modèles n° GWU9850F / 35554 (A et B)



 <b>DANGER</b>	<p><b>DANGER DE MONOXYDE DE CARBONE</b></p> <ul style="list-style-type: none"> <li>• Cet appareil risque de produire du monoxyde de carbone inodore.</li> <li>• L'utilisation de cet appareil dans un espace clos présente un danger mortel.</li> <li>• Ne jamais utiliser cet appareil dans un espace clos tel qu'une tente-caravane, une tente, une voiture ou une maison.</li> </ul>

 <b>AVERTISSEMENT</b> <b>POUR VOTRE SÉCURITÉ:</b>
<p><b>Pour usage à l'extérieur seulement</b> (hors de tout abri clos)</p>

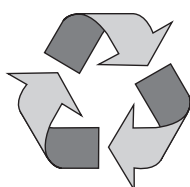
 <b>AVERTISSEMENT</b> <b>POUR VOTRE SÉCURITÉ:</b>
<ul style="list-style-type: none"> <li>▲ <b>Toute installation défectueuse ou modification incorrecte ainsi que tout mauvais réglage ou entretien incorrect risque d'entraîner des blessures ou des dégâts matériels.</b></li> <li>▲ <b>Lire complètement les instructions d'installation, d'utilisation et d'entretien avant de procéder à la maintenance de l'appareil ou à son entretien.</b></li> <li>▲ <b>Le non-respect de ces consignes risque de provoquer un incendie ou une explosion et d'entraîner des dégâts matériels, des blessures graves voire la mort.</b></li> </ul>

Conservez ces instructions afin de pouvoir les consulter ultérieurement. Si vous êtes en train d'assembler cet appareil pour une autre personne, veuillez lui fournir le manuel afin qu'elle puisse le lire et le consulter plus tard.

Table des matières	
Consignes de sécurité importantes . . . . .	Page 2
Vue éclatée des pièces et quincaillerie . . . . .	3
Instructions d'assemblage . . . . .	4
Installation de la bouteille de propane . . . . .	7
Insérer la bouteille de propane . . . . .	7
Fixer la bouteille de propane . . . . .	7
Brancher la bouteille de propane . . . . .	7
Débrancher la bouteille de propane . . . . .	7
Fonctionnement . . . . .	7
Rechercher une fuite potentielle . . . . .	7
Avant d'allumer le chauffe-patio . . . . .	7
Allumer le chauffe-patio . . . . .	7
Lorsque le chauffe-patio est allumé (ON) . . . . .	8
Rallumer le chauffe-patio . . . . .	8
Éteindre le chauffe-patio . . . . .	8
Nettoyage et entretien . . . . .	8
Nettoyage des surfaces du chauffe-patio . . . . .	8
Entretien . . . . .	8
Remisage . . . . .	8
Enregistrement de l'appareil . . . . .	8
Garantie limitée . . . . .	9
Caractéristiques techniques . . . . .	9
Guide de dépannage . . . . .	10

L'utilisation et l'installation de cet appareil doivent être conformes aux codes locaux. En l'absence de codes locaux, suivez le Code national du gaz combustible, la réglementation ANSI Z223.1/NFPA 54, CAN/CGA-B149.1 et le Code d'installation du gaz naturel et du propane.

Proposition 65 de Californie: La combustion du propane produit des émanations et des résidus chimiques ayant été reconnus par l'État de la Californie comme étant source de cancer, malformations congénitales et autres dommages reproductifs.



Fabriqué à partir de 70% de bagasse de canne à sucre (résidu de pulpe de canne à sucre sans danger pour l'environnement)



Fabriqué en Chine pour: Blue Rhino Global Sourcing, Inc.  
 Winston-Salem, NC 27105 États-Unis • 1.800.762.1142, www.bluerhino.com  
 © Blue Rhino Global Sourcing, Inc. Tous droits réservés.  
 Frontgate® est une marque de commerce déposée de Frontgate, Inc. Tous droits réservés.

**DANGERS et MISES EN GARDE: POUR VOTRE SÉCURITÉ****DANGER**

En cas d'odeur de gaz :

1. Fermer le robinet de gaz alimentant l'appareil.
2. Éteindre toute flamme.
3. Si l'odeur persiste, contacter immédiatement le fournisseur de bouteilles de gaz ou les pompiers.

**AVERTISSEMENT  
POUR VOTRE SÉCURITÉ:**

1. Ne pas entreposer une bouteille de propane de recharge à moins de 3,05 mètres de cet appareil.
2. Ne pas utiliser ni entreposer de l'essence ou des liquides présentant des vapeurs inflammables à moins de 7,62 m de cet appareil ou de tout autre appareil.
3. Ne pas entreposer une bouteille de propane dans le voisinage de cet appareil ou de tout autre appareil si elle n'est branchée afin d'être utilisée.

▲ **DANGER:** Le non-respect des avis de danger, mises en garde et consignes de sécurité de ce manuel risque de provoquer un incendie ou une explosion et d'entraîner des dégâts matériels, des blessures graves voire la mort.

▲ **WARNING:**

- ▲ Veiller à toujours laisser un espace d'au moins 91 cm au-dessus et de 61 cm sur les côtés entre l'appareil et toute matière combustible.
- ▲ Ce chauffe-patio doit être utilisé uniquement avec du propane liquide (PL). Toute utilisation de gaz naturel avec ce chauffe-patio ou tentative de conversion au gaz naturel de ce chauffe-patio est dangereuse et rendra la garantie nulle et non avenue.
- ▲ Caractéristiques du propane (PL) :
  - a. Le propane est un gaz inflammable et dangereux si ce dernier n'est pas manipulé correctement. Il est indispensable de connaître les caractéristiques du gaz avant d'utiliser tout appareil fonctionnant au propane.
  - b. Le propane qui risque d'exploser sous pression, est plus lourd que l'air, se dépose et demeure au sol.
  - c. Le propane à l'état naturel est inodore. Pour votre sécurité, une odeur se rapprochant du chou avarié a été ajoutée.
  - d. Tout contact du propane avec la peau risque de provoquer des engelures.
- ▲ Il est nécessaire de brancher une bouteille de propane pour faire fonctionner le chauffe-patio. Seules les bouteilles marquées « propane » peuvent être utilisées.
- ▲ La bouteille de propane doit être fabriquée, marquée et mise en service conformément à la Réglementation sur les bouteilles de gaz de pétrole liquéfié établie par le Ministère des transports des États-Unis (DOT) ou répondre à la Norme nationale canadienne CAN/CSA-B339 sur les bouteilles, sphères et tubes destinés au transport des marchandises dangereuses et la commission selon le cas.
- ▲ La bouteille de propane doit être placée afin de faciliter l'extraction des vapeurs de gaz.
- ▲ La bouteille de propane doit être équipée d'un système d'arrêt volumétrique (OPD) empêchant tout remplissage excessif.
- ▲ Utilisez uniquement une bouteille de 20 lb. (9 kg) équipée d'un dispositif de branchement compatible avec le raccord d'un appareil de cuisson en plein air.
- ▲ La bouteille de propane doit posséder un col afin de protéger le robinet de la bouteille.
- ▲ Ne jamais utiliser une bouteille de propane si le corps, le robinet, le col ou le socle sont endommagés.
- ▲ Toute bouteille bosselée ou présentant des traces de rouille risque d'être dangereuse et devrait être vérifiée par votre fournisseur de bouteilles de propane avant de l'utiliser.
- ▲ Ne pas laisser tomber la bouteille ni la manipuler brusquement ou brutalement!
- ▲ Les bouteilles de gaz doivent être entreposées à l'extérieur, hors de la portée des enfants et ne doivent pas être entreposées dans un bâtiment, un garage ou dans tout autre lieu fermé. Les bouteilles de gaz ne doivent jamais être entreposées dans un endroit où la température risque de dépasser 51,6°C (125°F)!
- ▲ Ne jamais garder une bouteille de propane pleine dans une voiture ou dans le coffre d'une voiture sous une forte chaleur. La chaleur peut provoquer une augmentation de la pression du gaz, pouvant provoquer l'ouverture de la soupape de sécurité et lui permettre de s'échapper.
- ▲ Ne pas entreposer une bouteille de propane de recharge sous ou à proximité de cet appareil.
- ▲ Ne jamais remplir la bouteille de propane à plus de 80% de sa capacité.
- ▲ Ne jamais essayer de raccorder ce chauffe-patio au circuit de propane d'une tente caravane, autocaravane ou de votre maison.
- ▲ Les deux consignes ci-dessus doivent être strictement respectées et le non-respect de ces consignes risque de provoquer un incendie et/ou d'entraîner des blessures graves voire la mort.
- ▲ Placer le capuchon cache-poussière sur la sortie du robinet de la bouteille lorsque la bouteille n'est pas utilisée. Installer uniquement le type de capuchon cache-poussière sur la sortie du robinet de la bouteille de gaz qui est fourni avec le robinet de la bouteille. L'emploi d'autres types de capuchons ou de bouchons risque d'entraîner une fuite de propane.
- ▲ La prise d'alcool, de médicaments ou de drogues risque de nuire à l'aptitude de l'utilisateur à assembler ou à utiliser cet appareil en toute sécurité.
- ▲ La présence de fortes odeurs, ou si vous avez une rhume ou des sinus bouchés, risque de nuire à la détection d'une fuite de propane. Faites preuve de précaution et de bon sens lorsque vous effectuez un test d'étanchéité et recherchez une fuite.
- ▲ Votre chauffe-patio a été vérifié en usine afin de s'assurer que les raccords ne présentent aucune fuite. Vérifier à nouveau tous les raccords car il est possible qu'ils se soient desserrés lors du transport.
- ▲ Vérifier que l'appareil ne présente aucune fuite même si ce dernier a été assemblé pour vous par quelqu'un d'autre.
- ▲ Ne pas utiliser le chauffe-patio en cas de fuite de gaz. Toute fuite de gaz risque de provoquer un incendie ou une explosion.
- ▲ Il est obligatoire de suivre toutes les procédures de détection de fuite avant d'utiliser cet appareil. Afin d'éviter tout risque d'incendie et d'explosion lorsque l'on recherche une fuite :
  - a. Vérifier que le circuit ne présente pas de fuite en effectuant un essai d'étanchéité avant d'allumer le chauffe-patio à chaque fois que la bouteille de gaz est branchée afin de l'utiliser.
  - b. Interdiction de fumer. Ne pas utiliser ni laisser de sources d'ignition à proximité du chauffe-patio lorsque l'on recherche une fuite.
  - c. Effectuer le test d'étanchéité en plein air, dans un emplacement bien aéré.
  - d. Ne pas utiliser d'allumettes, de briquets ou de flamme nue afin de rechercher une fuite.
  - e. Ne pas utiliser le chauffe-patio avant d'avoir réparé toute les fuites. S'il s'avère impossible d'arrêter une fuite, débrancher la bouteille de propane. Contacter un réparateur ou votre fournisseur de bouteilles de propane.
- ▲ Ne pas utiliser ni entreposer d'essence ou de liquides pouvant présenter des vapeurs inflammables à moins de 7,62 m de cet appareil.
- ▲ Ne pas utiliser le chauffe-patio en présence de vapeurs et d'émanations explosives. Veiller à ce que la zone autour du chauffe-patio demeure dégagée et dépourvue de matières combustibles, d'essence et d'autres liquides aux vapeurs inflammables.
- ▲ S'assurer que toute surface et matière combustible se trouve toujours loin du chauffe-patio. NE PAS utiliser ce chauffe-patio sous un abri, une structure suspendue ou en saillie ou à proximité de toute construction combustible non-protégée. La combustion du propane crée du monoxyde de carbone qui risque d'être mortel si cet appareil est utilisé dans un espace clos.
- ▲ Il est primordial que le compartiment de la commande du chauffe-patio, les brûleurs et les orifices permettant la circulation de l'air demeurent propres. Vérifier le chauffe-patio avant chaque utilisation.
- ▲ L'installation et les réparations doivent être effectuées par un réparateur qualifié.

- ▲ Ne modifier en aucune façon le chauffe-patio.
- ▲ Ne pas utiliser le chauffe-patio à moins qu'il ne soit COMPLÈTEMENT assemblé et que les pièces ne soient toutes fixées et serrées.
- ▲ Ce chauffe-patio doit être vérifié et nettoyé en entier régulièrement. Nettoyer et inspecter le tuyau à chaque fois, avant d'utiliser l'appareil. En cas d'abrasion, d'usure, de coupures ou de fuite, le tuyau doit être remplacé avant que cet appareil ne soit mis en fonctionnement.
- ▲ Utiliser uniquement le régulateur et le tuyau fournis. Le régulateur et le tuyau de recharge doivent être ceux spécifiés par le fabricant.
- ▲ Ne pas essayer de réparer ni modifier le tuyau/régulateur si vous « considérez » que l'appareil présente un défaut. Toute modification ou altération entraînera l'annulation de la garantie et risque de poser un danger de fuite de gaz ou d'incendie.
- ▲ Utiliser uniquement des pièces agréées par le fabricant.
- ▲ Vérifier le chauffe-patio à chaque fois avant de l'utiliser. Si une pièce endommagée est détectée, ne pas utiliser l'appareil avant d'avoir correctement installé une pièce de recharge agréée.
- ▲ Utiliser uniquement des pièces agréées de l'usine Blue Rhino Global Sourcing, Inc. L'emploi de toute pièce non agréée peut être dangereuse et entraînera l'annulation de la garantie.
- ▲ Le dôme et le brûleur sont extrêmement chauds lorsque le chauffe-patio est allumé. Ne jamais toucher le dôme ni le brûleur lorsque le chauffe-patio est allumé. La surface de l'émetteur de chaleur peut atteindre 870°C (1600°F). Attendre que l'appareil ait refroidi (environ 45 minutes) avant de le toucher.
- ▲ Ne pas essayer de déplacer le chauffe-patio quand il est allumé. Laisser le chauffe-patio refroidir (environ 45 minutes) avant de le déplacer ou de le remiser.
- ▲ Laisser l'appareil refroidir (environ 45 minutes) avant de le réparer ou de procéder à son entretien.
- ▲ Ne pas installer ni utiliser cet appareil à bord d'un bateau ou d'un véhicule récréatif.
- ▲ Ne pas utiliser ce chauffe-patio dans le coffre d'un véhicule, à bord d'une voiture familiale, d'une camionnette, d'une mini-fourgonnette, d'un véhicule utilitaire sport (VUS) ou d'un véhicule récréatif (VR).
- ▲ Ne pas utiliser le chauffe-patio si la vitesse du vent dépasse 16 km/h.
- ▲ Si la température descend en dessous de 5°C (40°F), l'appareil fonctionnera à un rendement moindre.
- ▲ Ne jamais laisser un chauffe-patio allumé sans surveillance surtout si des enfants ou des animaux domestiques et de compagnie se trouvent à proximité.
- ▲ Faire toujours preuve d'une extrême précaution à proximité de l'appareil. Indiquer aux enfants et aux adultes les dangers existants en raison des hautes températures afin d'éviter qu'ils ne se brûlent ou que leurs vêtements ne prennent feu.
- ▲ Le remisage du chauffe-patio à l'intérieur est autorisé seulement si la bouteille a été débranchée et retirée de l'appareil et correctement entreposée à l'extérieur.
- ▲ Ne pas tenter de débrancher le régulateur de gaz de la bouteille ou de débrancher une pièce quelconque de l'alimentation du gaz lorsque le chauffe-patio est allumé.
- ▲ Veiller à toujours placer le chauffe-patio sur une surface plane, dure et à niveau.
- ▲ Faire preuve d'une extrême précaution si le chauffe-patio doit être utilisé sur une terrasse en bois.
- ▲ Placer les tuyaux souples de gaz le plus loin possible des surfaces chaudes.
- ▲ Veiller à ce que les câbles et cordons électriques demeurent toujours loin du chauffe-patio lorsqu'il est chaud.
- ▲ Ne pas utiliser le chauffe-patio pour se chauffer ou pour cuisiner à l'intérieur. Des émanations TOXIQUES de monoxyde de carbone peuvent s'accumuler et provoquer l'asphyxie.
- ▲ Conserver les arroseurs d'eau et autres sources d'eau à l'écart des brûleurs et des commandes.
- ▲ Ne pas pendre de vêtements ou d'autres matières inflammables sur le chauffe-patio ou à proximité de ce dernier.
- ▲ Ne jamais couvrir le carénage du chauffe-patio lorsque la bouteille de propane est à l'intérieur.
- ▲ Tout cache protecteur ou dispositif de protection ayant été retiré afin de procéder à une réparation ou à l'entretien de l'appareil, doit être remis en place avant de mettre en marche le chauffe-patio.
- ▲ Certains matériaux ou articles risquent d'être sérieusement endommagés en raison de la chaleur rayonnante si ces derniers sont placés sous l'appareil.
- ▲ Après une période de remisage ou si le chauffe-patio n'a pas été utilisé pour une certaine période, s'assurer qu'il n'y a pas de fuite et que les brûleurs ne sont pas bouchés. Vérifier également que le tuyau ne présente pas de traces d'abrasion, d'usure ou de coupures.
- ▲ Si à un moment quelconque il s'avère impossible d'allumer le brûleur et si une odeur de gaz se fait sentir, attendre 5 minutes afin que le gaz se dissipe avant de tenter de rallumer le chauffe-patio.
- ▲ Le fait de ne pas attendre 5 minutes afin que le gaz se dissipe si le chauffe-patio ne s'allume pas, risque de provoquer un retour de flammes explosif.
- ▲ Faire preuve de précaution avant de tenter d'allumer manuellement ce chauffe-patio. Le fait de maintenir le bouton pressé pendant plus de 10 secondes avant d'allumer le gaz provoquera une boule de feu lors de l'allumage.
- ▲ Éviter de respirer les vapeurs et émanations de l'appareil lorsque le chauffe-patio est allumé pour la première fois. La fumée et l'odeur résultant de la combustion de l'huile ayant été utilisée lors de la fabrication de l'appareil se dissiperont après environ 30 minutes. Le chauffe-patio NE devrait PAS produire de fumée noire.
- ▲ Lorsque l'on n'utilise pas le chauffe-patio, fermer l'alimentation du gaz au niveau de la bouteille, débrancher la bouteille et l'entreposer comme il se doit.
- ▲ Ne pas utiliser cet appareil avant de lire le chapitre « Fonctionnement » de ce manuel.
- ▲ Porter des gants de protection pour assembler cet article.
- ▲ Ne pas forcer les pièces les unes dans les autres afin d'éviter toute blessure et éviter d'endommager cet article.
- ▲ Les consignes ci-dessus doivent être strictement respectées et le non-respect de ces consignes risque de provoquer des dégâts matériels ou d'entraîner des blessures graves voire la mort.

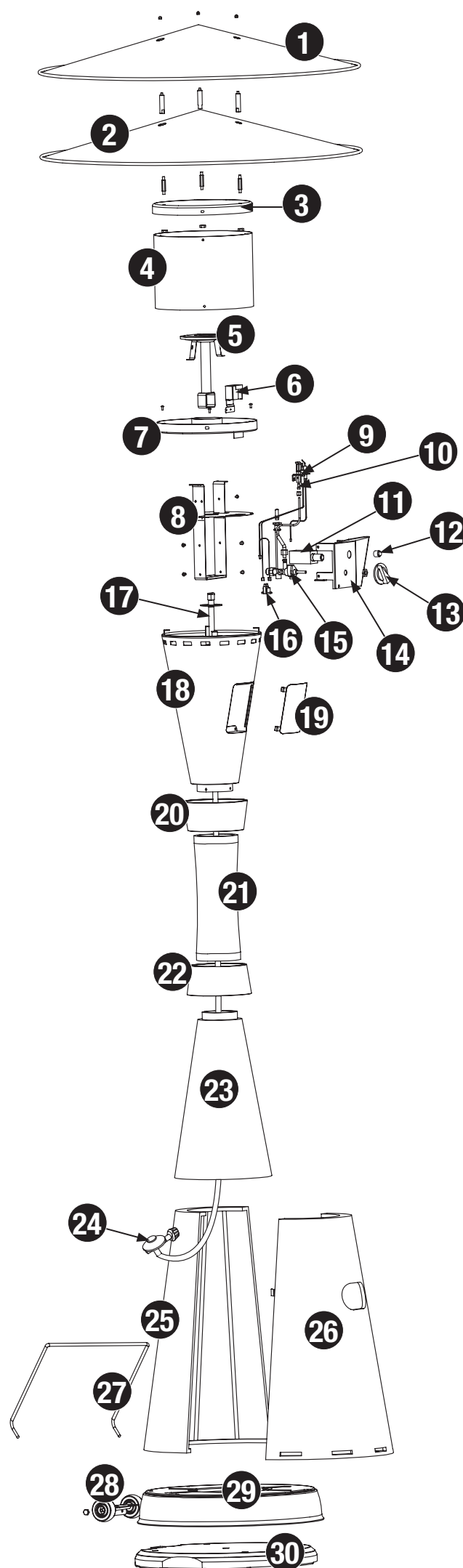


## Liste des pièces

1	Dôme supérieur	56-01-614
2	Dôme inférieur	56-01-615
3	Couvercle de l'émetteur*	56-01-616
4	Grille de l'émetteur*	56-01-617
5	Brûleur*	56-01-618
6	Écran thermique de la veilleuse*	56-01-619
7	Plaque inférieure	56-01-620
8	Support de la soupape de commande*	56-01-621
9	Veilleuse*	56-01-127
10	Orifice du brûleur*	56-01-131
11	Allumeur électronique*	56-01-142
12	Bouton de l'allumeur*	56-01-622
13	Bouton de commande*	56-01-156
14	Panneau d'accès*	56-01-623
15	Valve*	56-01-144
16	Interrupteur d'inclinaison*	56-01-019
17	Tuyau de gaz	56-01-190
18	Cache de protection du moteur*	56-01-624
19	Porte du panneau de commande*	56-01-625
20	Couvercle supérieur	56-01-626
21	Montant	56-01-627
22	Couvercle supérieur	56-01-628
23	Couvercle du carénage	56-01-629
24	Ensemble tuyau de gaz et régulateur	56-01-192
25	Arrière du carénage	56-01-630
26	Avant du carénage	56-01-631
27	Étrier de retenue de la bouteille de gaz	56-01-632
28	Roue	56-01-633
29	Socle	56-01-634
30	Plaque de lestage	56-01-635

\*Fourni assemblé

## Vue éclatée

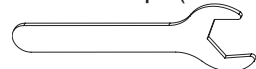


## Quincaillerie

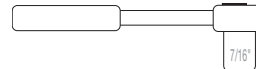
A	Vis	Tête Phillips noire galvanisée, M6 x 25	8 pcs
B	Vis	Tête Phillips noire galvanisée, M6 x 40	4 pcs
C	Boulon	Nickelé	3 pcs
D	Boulon	Nickelé	3 pcs
E	Boulon	Nickelé	1 pc
F	Écrou	Acier inoxydable M5	3 pcs
G	Écrou	Noir, galvanisé, M6	3 pcs
H	Rondelle	Galvanisée, ø5	3 pcs
I	Pile	Pile AA	1 pc

## Outils requis pour l'assemblage (non fournis)

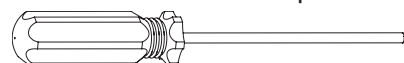
Clé de 7/16 po (11 mm)



Clé à douilles et douille de 5/16 po (8 mm)



Tournevis cruciforme Phillips n° 2



## Instructions d'assemblage

# 1

### NE PAS RETOURNER AU MAGASIN AVEC CET ARTICLE.

Pour toute assistance technique, appelez le numéro sans frais **1.800.762.1142**. Faites en sorte que votre manuel d'utilisation et le numéro de série soient à portée de main afin de pouvoir vous y référer.

Pour faciliter l'assemblage:

- Pour éviter de perdre des petites pièces ou la quincaillerie d'installation, assemblez cet article sur une surface dure et plane qui ne comporte pas de trous ni de fissures.
- Prévoyez une surface de travail suffisamment grande afin d'étaler toutes les pièces et la quincaillerie d'installation.
- Lorsque nécessaire, serrez toute les fixations et la visserie en premier, puis une fois l'étape terminée, serrez-les complètement.
- Suivez toutes les étapes dans l'ordre afin d'assembler correctement cet article.

Pour effectuer l'assemblage, vous aurez besoin des choses suivantes:

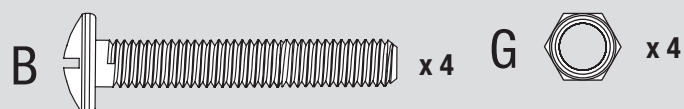
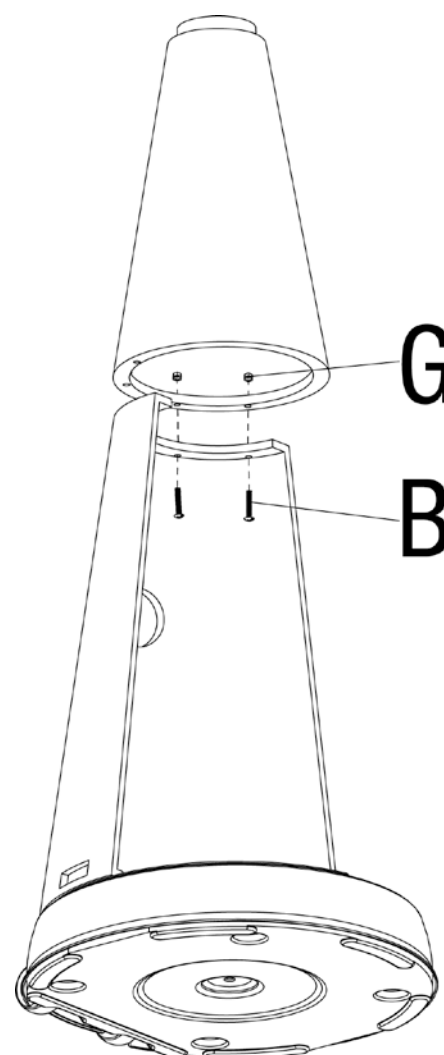
- une (1) solution de détection de fuites (voir instructions sur la préparation de la solution au chapitre « Fonctionnement »).
- une (1) bouteille de propane liquide (de 15 à 19 litres) remplie avec précision avec raccord de soupape à filetage externe Acme de type 1.

*Remarque:* Veuillez suivre toutes les étapes dans l'ordre afin d'assembler correctement le chauffe-patio.

Typical assembly: approximately 1 (one) hour.

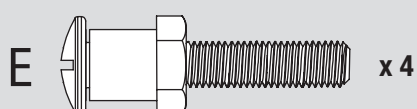
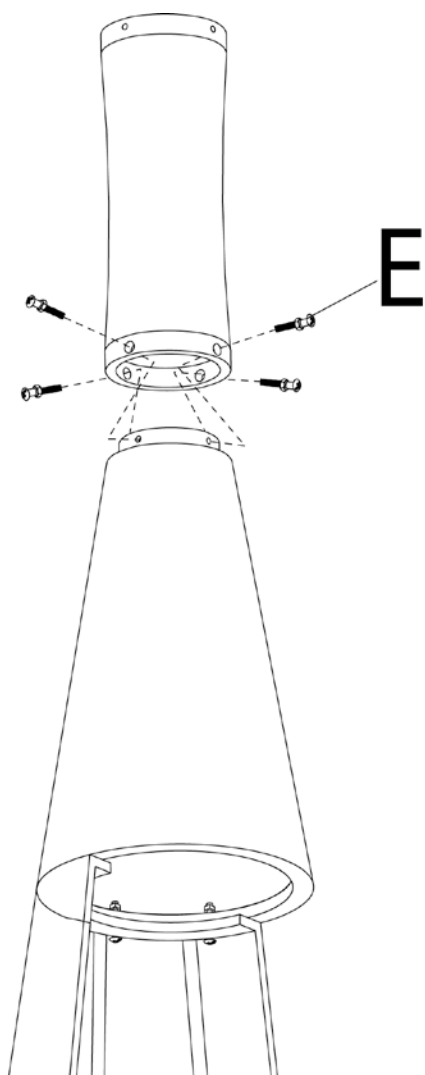
# 2

### Fixer le socle



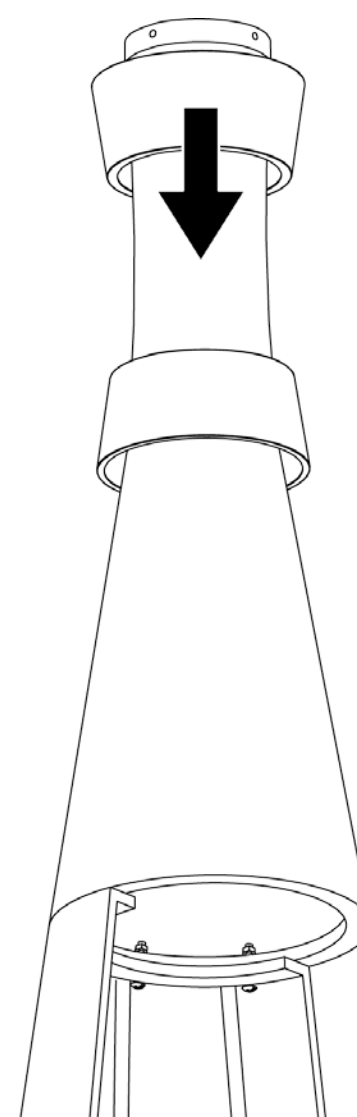
# 3

### Fixer le montant



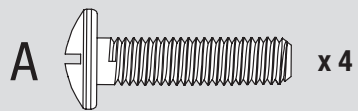
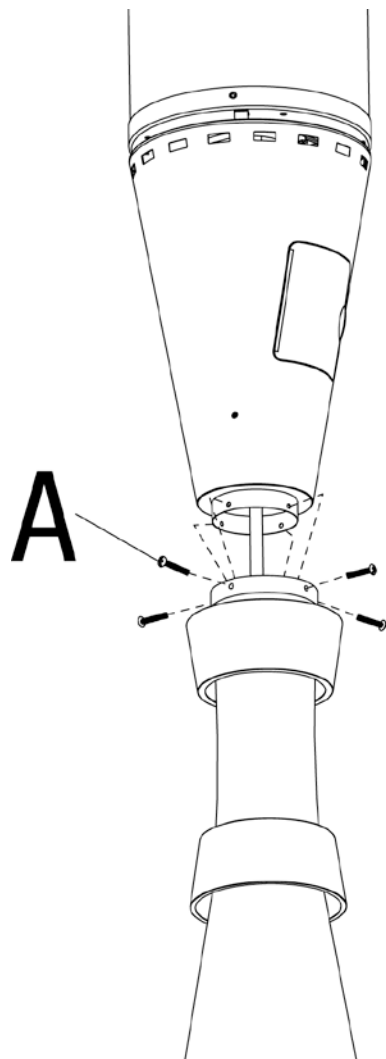
# 4

### Placer les couvercles



# 5

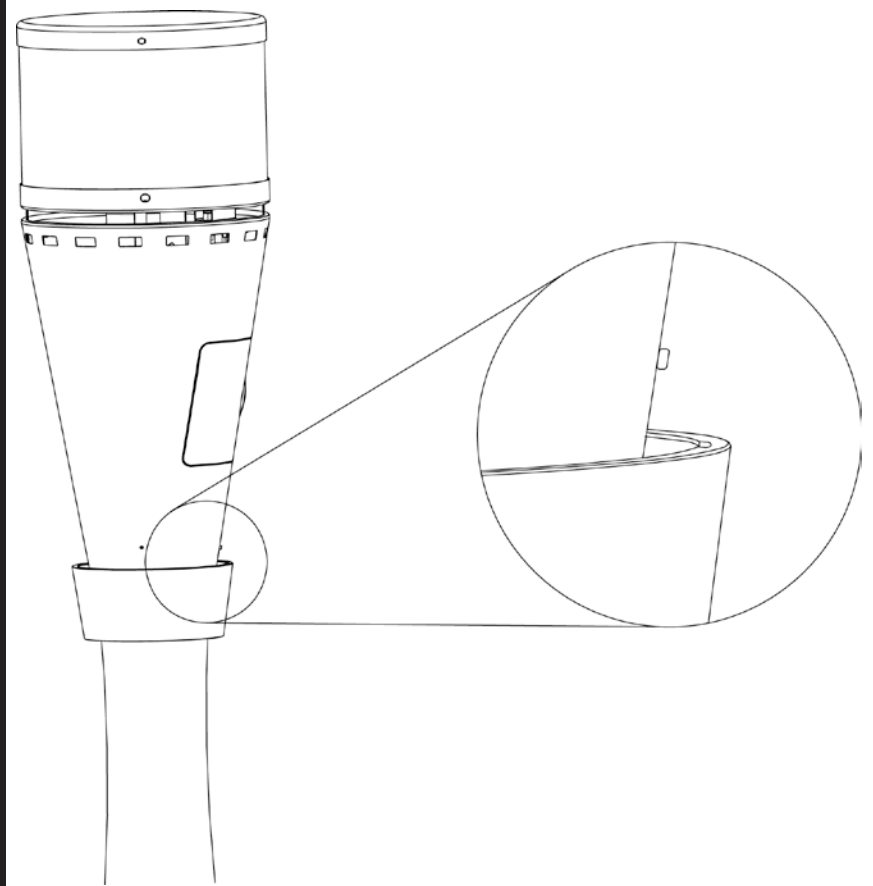
## Fixer le moteur



# 6

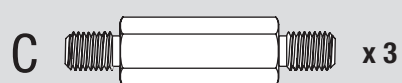
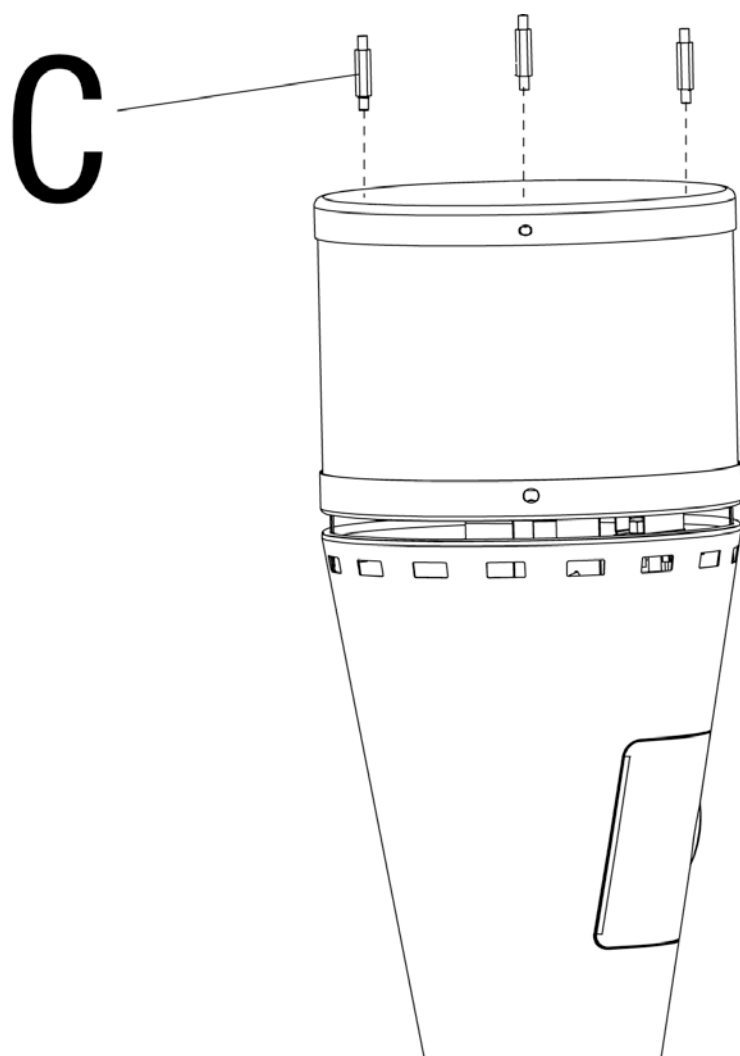
## Fixer le couvercle supérieur

*Remarque:* Faites correspondre le couvercle supérieur à l'encoche du moteur et verrouillez-le en place.



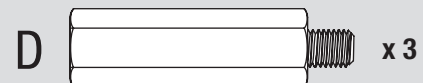
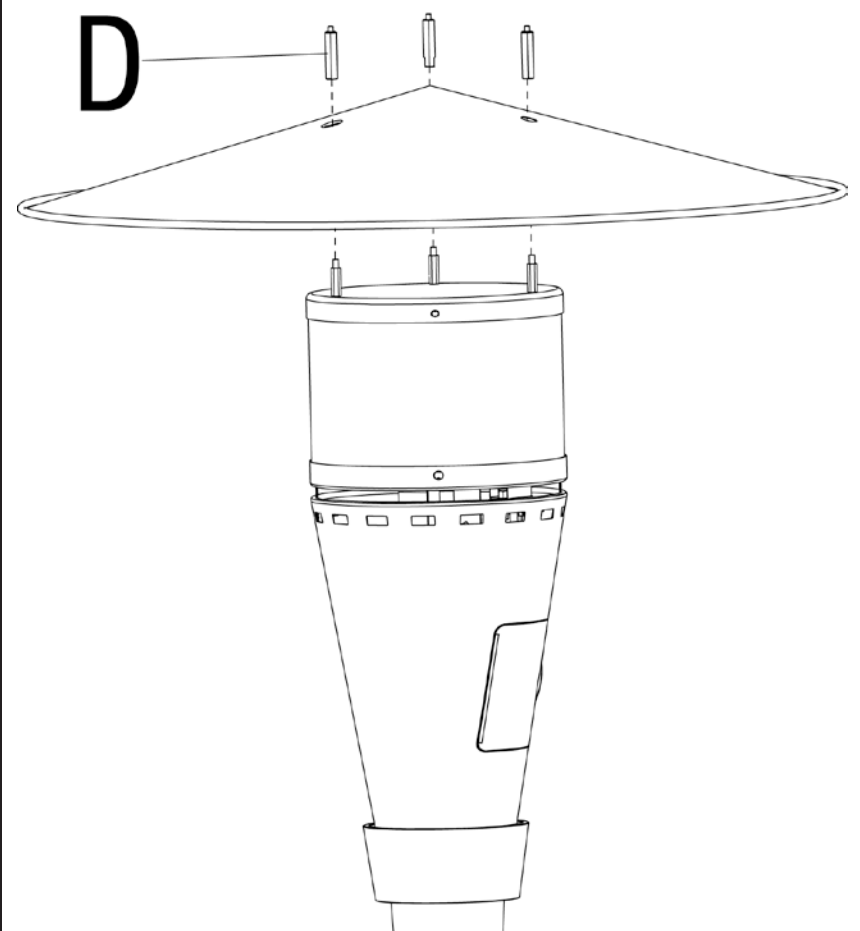
# 7

## Fixer les boulons



# 8

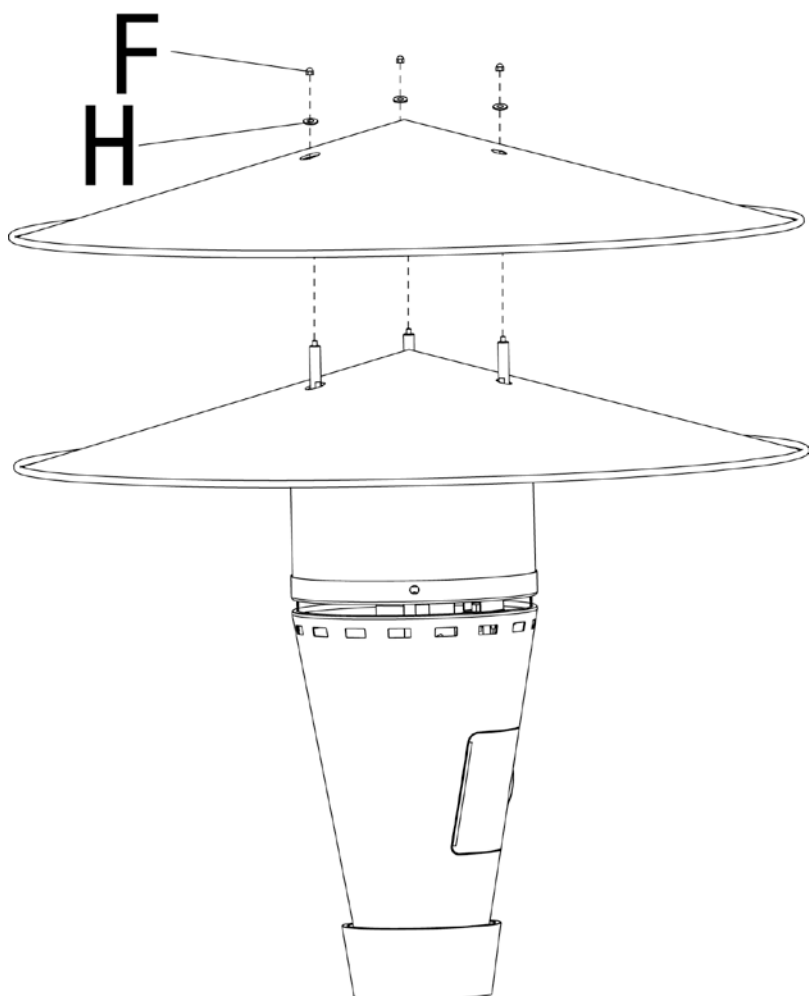
## Fixer le dôme inférieur



## Instructions d'assemblage (suite)

9

Fixer le dôme supérieur

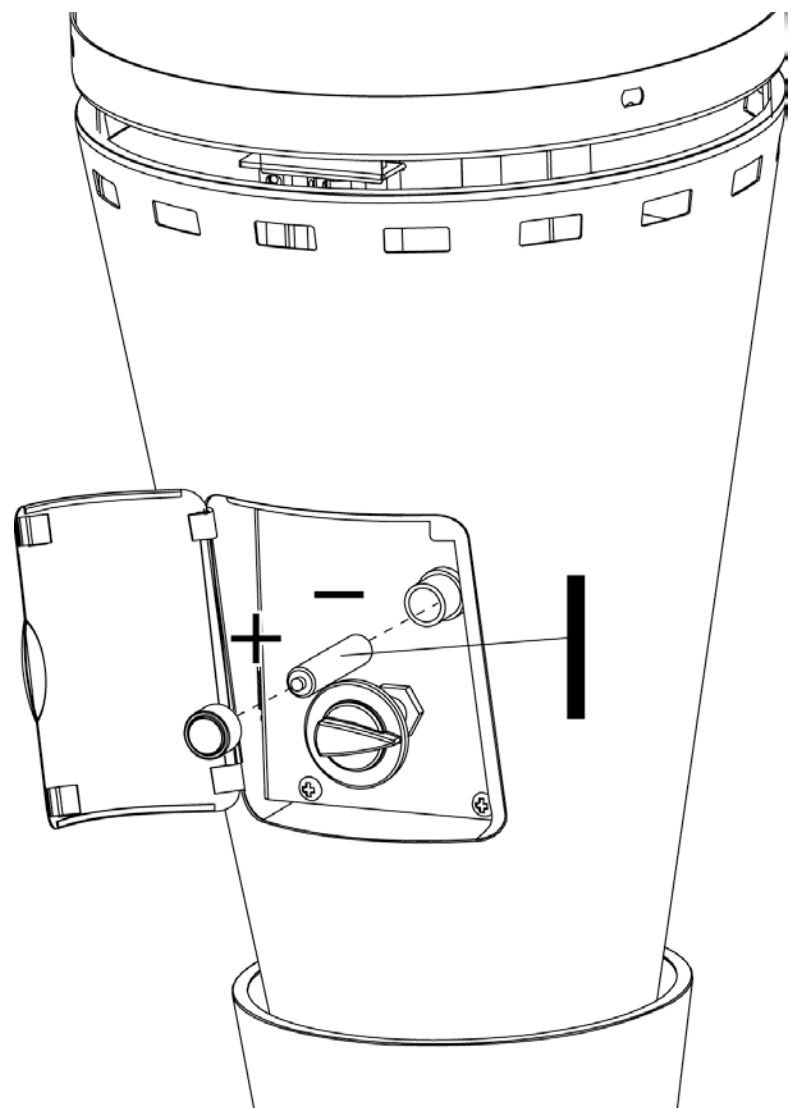


F  x3

H  x3

10

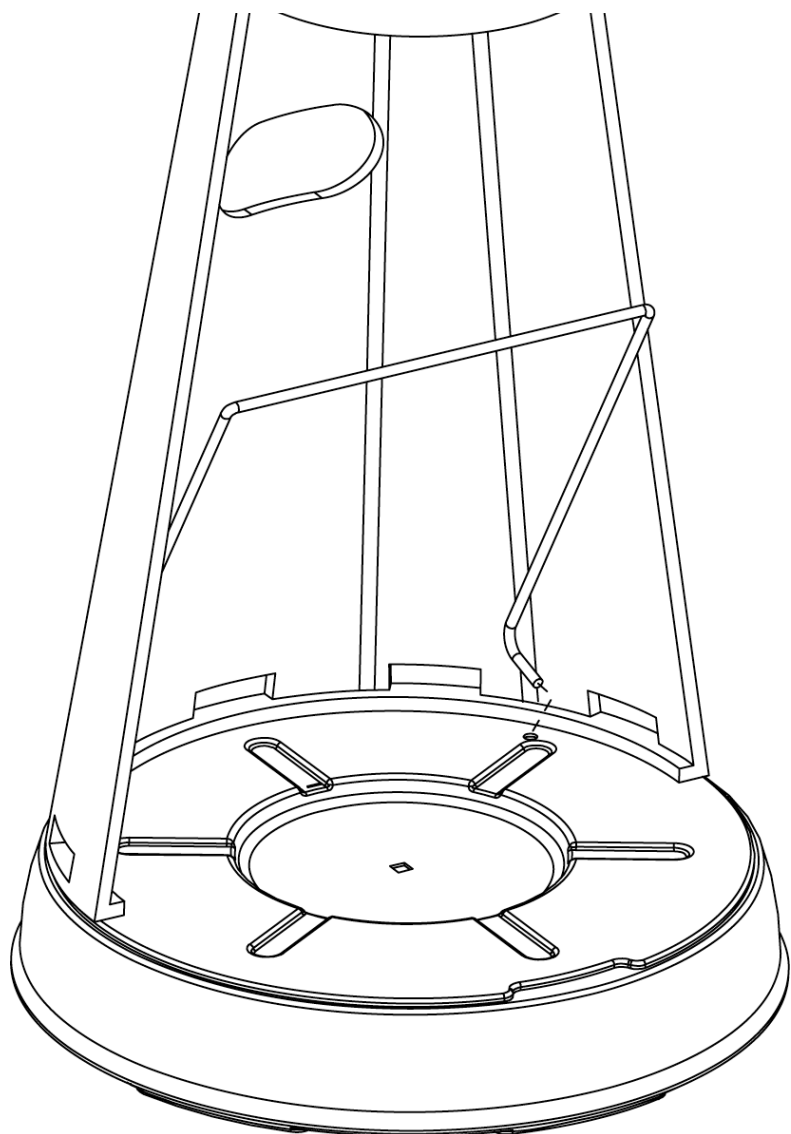
Insérez la pile



I  x1

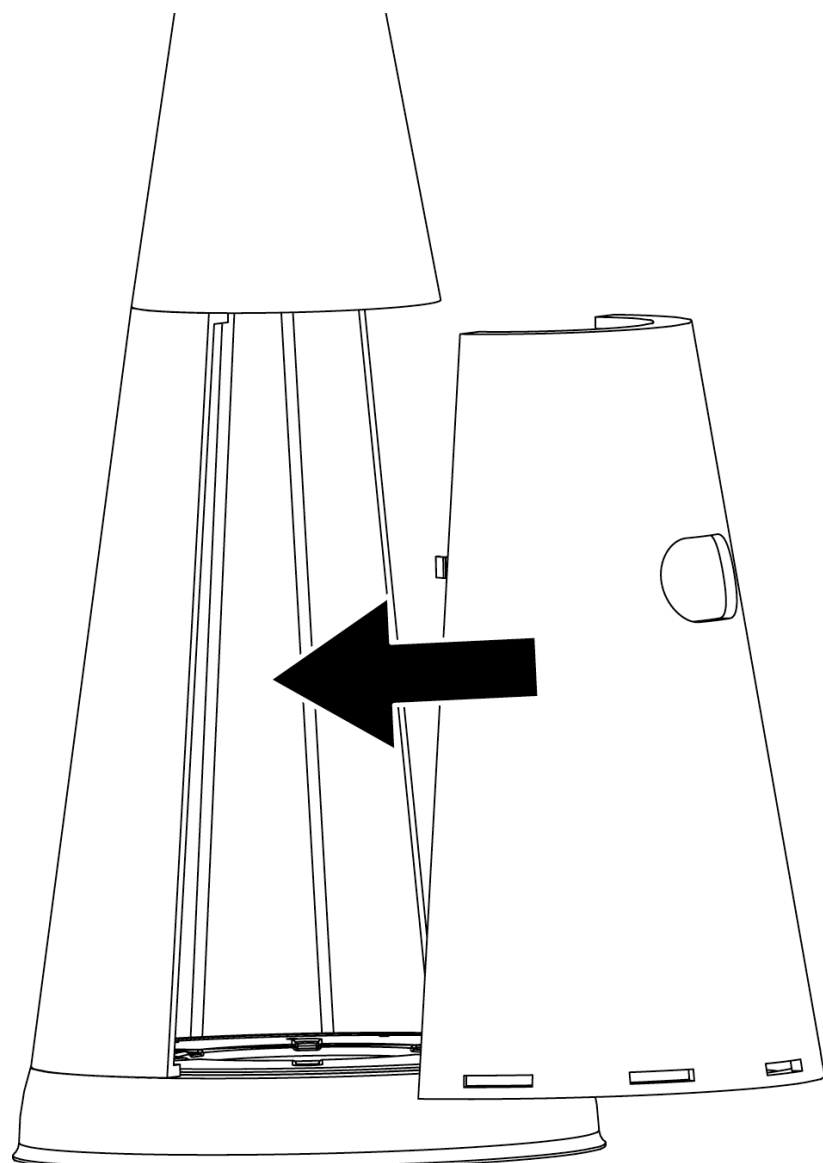
11

Fixer l'étrier de retenue de la bouteille de gaz



12

Fixer l'avant du carénage





## Installation de la bouteille de propane

Il est nécessaire de raccorder une bouteille de propane standard de 20 livres (9 kg) pour barbecue avec filetage externe pour raccord de robinet afin de pouvoir faire fonctionner l'appareil.

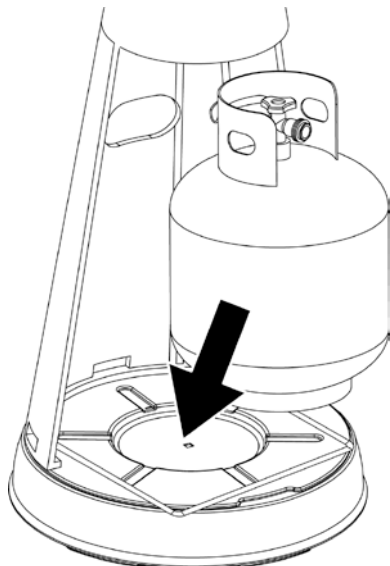
*Remarque:* Une bouteille de propane standard vide pour barbecue pèse environ 18 livres (8,1 kg). Une bouteille de propane standard pour barbecue remplie avec précision ne devrait pas peser plus de 38 livres (17,2 kg).

**▲ Attention: La bouteille de propane doit être correctement débranchée et retirée avant de déplacer le chauffe-patio.**



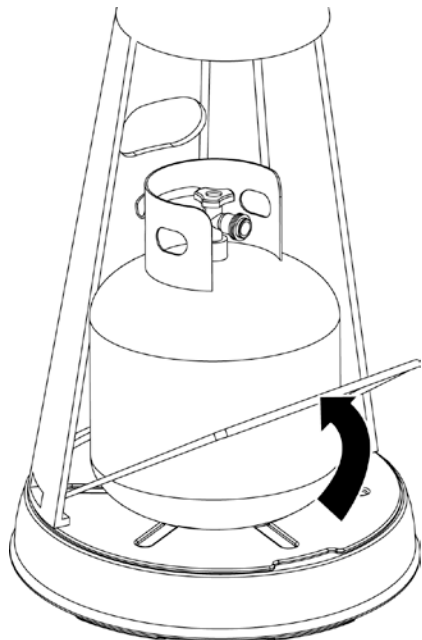
## Insérer la bouteille de propane

Placez une bouteille de propane pleine ayant été remplie avec précision, debout sur le socle du chauffe-patio afin de permettre l'extraction des vapeurs de gaz.



## Fixer la bouteille de propane

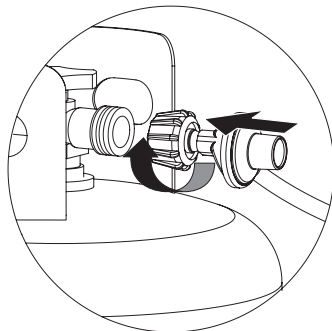
Fixez la bouteille en accrochant l'extrémité de la chaîne de retenue sur l'orifice du pied droit.



## Brancher la bouteille de propane

Avant de procéder au branchement, assurez-vous qu'il n'y a pas de débris au niveau de la tête de la bouteille, de la tête du robinet du régulateur ainsi que dans la tête du brûleur et dans les orifices du brûleur.

Branchez le tuyau de gaz sur la bouteille en tournant dans le sens des aiguilles d'une montre jusqu'au blocage.

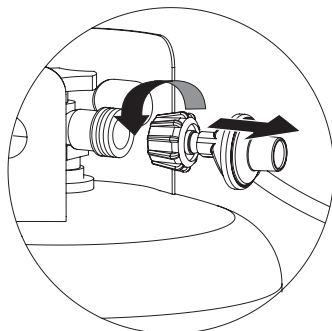


## Débrancher la bouteille de propane

Avant de débrancher la bouteille, assurez-vous que le robinet de la bouteille de propane se trouve sur « CLOSED » (Fermé).

Débranchez le tuyau de gaz de la bouteille en tournant le bouton dans le sens inverse à celui des aiguilles d'une montre jusqu'à ce qu'il soit desserré.

**▲ Attention: La bouteille de propane doit être correctement débranchée et retirée avant de déplacer le chauffe-patio.**



**Vous avez besoin d'une bouteille de gaz?** Essayez notre service d'échange de bouteilles de gaz. C'est un service facile, rapide, sans danger et présent dans des dizaines de milliers de points de vente partout dans le pays. Achetez une bouteille neuve ou échangez votre bouteille vide contre une bouteille déjà remplie avec précision.

## Fonctionnement

### Rechercher une fuite potentielle

#### Raccordements du brûleur

1. Assurez-vous que les branchements du régulateur et du tuyau ont été correctement effectués au niveau du brûleur et de la bouteille de gaz.
2. Si l'appareil a été assemblé pour vous par une autre personne, vérifiez visuellement le branchement du tuyau du brûleur sur l'orifice. Assurez-vous que le tube du brûleur est correctement placé sur l'orifice.

**▲ AVERTISSEMENT: Le fait de ne pas vérifier ce raccord ou de ne pas respecter ces instructions, risque d'entraîner un incendie ou une explosion et de provoquer des dégâts matériels, des blessures graves voire la mort.**

3. Si le tube du brûleur ne repose pas au ras de l'orifice, veuillez appeler notre service technique au 1.800.762.1142.

#### Raccordement du tuyau de gaz à la bouteille

1. Préparez une solution d'environ 80 ml destinée à détecter les fuites en mélangeant un volume de liquide à vaisselle et 3 volumes d'eau.
2. Vérifiez que les boutons de commande du barbecue sont tous sur « OFF » (arrêt). Reportez-vous à l'illustration 3.
3. Ouvrez le gaz en réglant le robinet de la bouteille de propane sur « OPEN » (Ouvvert).
4. Versez quelques gouttes de la solution sur tous les points de raccordement indiqués par un « X » (voir illustrations 1 et 2).
  - a. Si des bulles apparaissent, fermez le gaz en réglant le robinet de la bouteille de propane sur « CLOSED » (Fermé), desserrez le raccord puis rebranchez en vous assurant qu'il est étanche en effectuant un autre test d'étanchéité.
  - b. Si des bulles persistent après plusieurs tentatives, fermez le gaz en réglant le robinet de la bouteille de propane sur « CLOSED » (Fermé), débranchez la bouteille et appelez le 1.800.762.1142.
  - c. S'il n'y a toujours pas de bulles après une minute, fermez le gaz en réglant le robinet de la bouteille de propane sur « CLOSED » (Fermé), essuyez la solution et continuez.

Illustration 1

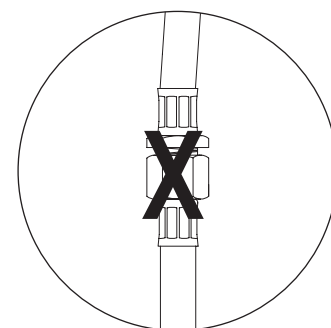


Illustration 2

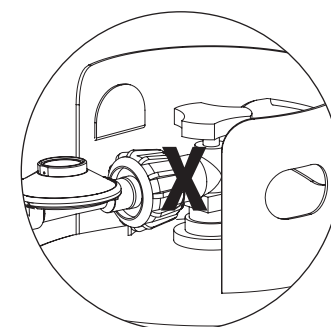


Illustration 3

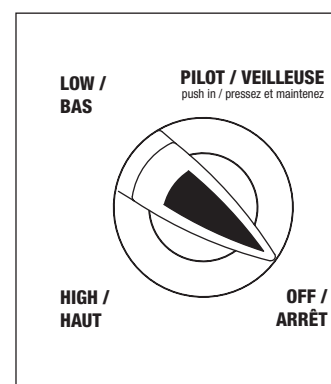


Illustration 4

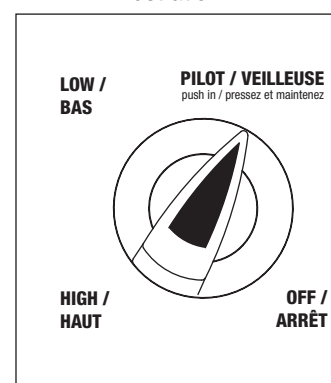


Illustration 5

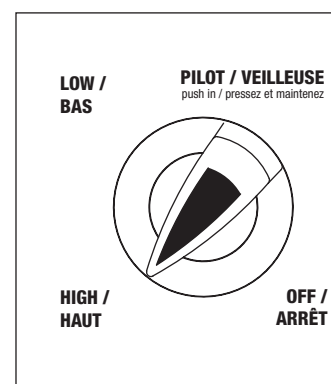
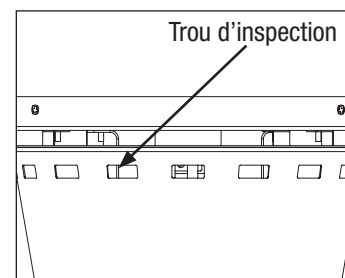


Illustration 6



### Avant d'allumer le chauffe-patio

1. Inspectez complètement le chauffe-patio avant chaque utilisation et faites en sorte qu'un réparateur agréé inspecte l'appareil au moins une fois par an.
2. Si vous devez rallumer un chauffe-patio déjà chaud, attendez au moins 5 minutes afin que le gaz se dissipe.
3. Vérifiez le tuyau afin de vous assurer qu'il n'est pas fendu et qu'il ne présente pas d'abrasions, de fissures ou d'usure excessive. Testez les parties douteuses afin de vous assurer qu'elles ne présentent pas de fuite. Si le tuyau fuit, remplacez-le avant d'utiliser l'appareil. Utilisez uniquement un tuyau de rechange homologué par le fabricant.

### Allumer le chauffe-patio

*Remarque:* Ce chauffe-patio est équipé d'une veilleuse qui offre une sécurité accrue pour la mise en marche et l'arrêt de l'appareil. La veilleuse doit être allumée avant de pouvoir mettre en marche le brûleur principal.

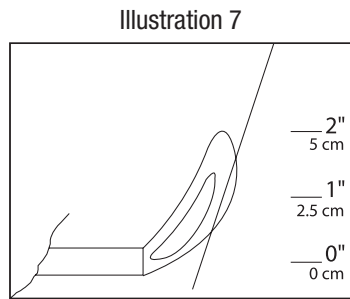
1. Le bouton de commande doit être sur « OFF » (arrêt), voir illustration 3.
2. Ouvrez le gaz en tournant le robinet de la bouteille de propane sur « OPEN » (ouvert).
3. Ouvrez le trou d'inspection en glissant le cache vers un côté ou de l'autre (voir illustration 3).
4. Pressez le bouton de commande et tournez-le jusqu'à la position « PILOT » (veilleuse).

*Remarque:* pour allumer l'appareil la première fois ou après avoir changé de bouteille, maintenez le bouton de commande pressé pendant 2 minutes afin de purger l'air des conduites de gaz avant de commencer.

5. *Allumage à bouton poussoir:* Pressez immédiatement le bouton d'allumage plusieurs fois. La flamme de la veilleuse apparaîtra et sera visible dans le trou d'inspection.
- Allumage électronique:* Pressez immédiatement le bouton d'allumage et maintenez-le pressé pendant cinq (5) secondes. La flamme de la veilleuse apparaîtra et sera visible dans le trou d'inspection.

## Fonctionnement (suite)

- Relâchez le bouton de commande après 30 secondes. La veilleuse demeurera allumée.
- Si l'allumage ne se produit pas, tournez le bouton de commande sur « OFF » (arrêt), attendez 5 minutes et reprenez la procédure d'allumage depuis de début.
- Réglez le bouton de commande sur « HIGH » (max). Le brûleur principal s'allumera immédiatement. La flamme sera visible dans le trou d'inspection. Dans le cas contraire, tournez le bouton de commande sur « OFF » (arrêt), attendez 5 minutes et reprenez la procédure d'allumage depuis de début.
- Si pour une raison quelconque l'allumeur ne produit pas d'étincelle, votre chauffe-patio peut être allumé en insérant une allumette allumée dans le trou d'inspection tout en maintenant le bouton de commande appuyé pendant qu'il se trouve sur la position « PILOT » (veilleuse).



**▲ AVERTISSEMENT: Faire preuve de précaution avant de tenter d'allumer manuellement ce chauffe-patio. Le fait de maintenir le bouton pressé pendant plus de 10 secondes avant d'allumer le gaz provoquera une boule de feu lors de l'allumage.**

En cas de problème ou si vous avez des questions, consultez le site internet [www.bluerhino.com](http://www.bluerhino.com) ou appelez le 1.800.762.1142.

*Remarque:* Le brûleur risque d'être bruyant lorsque vous l'allumez pour la première fois. Pour éviter tout bruit excessif du brûleur, réglez le bouton de commande sur la position de veilleuse (PILOT). Ensuite, réglez le bouton sur le niveau de chaleur désiré.

### Lorsque le chauffe-patio est allumé (ON):

La grille de l'émetteur deviendra rouge vif en raison de l'intensité de la chaleur. La couleur est plus visible la nuit.

Des flammes bleues et jaunes apparaîtront au niveau du brûleur. Ces flammes ne devraient pas être jaunes ni produire de fumée noire. En présence de fumée noire épaisse, le flux d'air à l'intérieur de la tubulure des brûleurs est bloqué. La flamme devrait être bleue avec des crêtes jaunes (voir illustration 7).

Si les flammes sont excessivement jaunes, éteignez le chauffe-patio et consultez le site internet [www.bluerhino.com](http://www.bluerhino.com) ou appelez le 1.800.762.1142.

### Rallumer le chauffe-patio

*Remarque:* Pour votre sécurité, le bouton de commande ne peut être placé sur « OFF » (arrêt) sans presser tout d'abord le bouton de commande sur la position "PILOT" (veilleuse) et ensuite le tourner sur « OFF » (arrêt).

- Réglez le bouton de commande sur « OFF » (arrêt).
- Attendez au moins 5 minutes afin que le gaz se dissipe avant de rallumer la veilleuse.
- Reprenez les étapes du chapitre « Allumer le chauffe-patio ».

### Éteindre le chauffe-patio

- Tournez le bouton de commande dans le sens des aiguilles d'une montre jusqu'à la position de la veilleuse (PILOT). (Normalement, le brûleur émettra un léger bruit de claquement lors de son extinction). Le brûleur s'éteindra mais la veilleuse demeurera allumée.
- Pour éteindre la veilleuse, appuyez sur le bouton de commande et continuez à le tourner dans le sens des aiguilles d'une montre jusqu'à « OFF » (arrêt).
- Fermez le gaz en tournant le robinet de la bouteille de propane sur « CLOSED » (fermé) puis débranchez le régulateur lorsque le chauffe-patio n'est pas utilisé.

*Remarque:* Après utilisation, la grille de l'émetteur risque de légèrement se décolorer, ceci est normal.

## Nettoyage et entretien

**▲ ATTENTION: Tout nettoyage ou entretien doit être effectué lorsque le chauffe-patio est froid et après avoir fermé et débranché le tuyau l'alimentation en gaz.**

**▲ ATTENTION: NE placer aucune pièce du chauffe-patio dans un four autonettoyant. La chaleur extrême endommagera le fini du chauffe-patio.**

### Avis

- N'utilisez pas de produits de nettoyage abrasifs car ils risquent d'endommager cet appareil.
- N'utilisez jamais de produit à nettoyer les fours sur une pièce quelle qu'elle soit du chauffe-patio.
- Ne placez aucune pièce du chauffe-patio dans un four autonettoyant. La chaleur extrême endommagera le fini du chauffe-patio.
- Il pourra s'avérer nécessaire de nettoyer l'appareil plus fréquemment. Il est primordial que les commandes, le brûleur et les orifices permettant la circulation de l'air demeurent propres.
- Les araignées et les insectes risquent de provoquer des conditions dangereuses et de nuire au bon fonctionnement de l'appareil. Veillez à ce que la zone du brûleur demeure propre et sans toiles d'araignées ou insectes. Nettoyez les orifices du brûleur en utilisant un déboureur-pipe. Il est possible d'utiliser de l'air comprimé afin de déloger les petites particules.

## Nettoyage et entretien (suite)

- Vérifiez le chauffe-patio avant chaque utilisation.
- Faites inspecter le chauffe-patio une fois par an et veillez à ce que toute réparation soit effectuée par un réparateur qualifié.
- Vérifiez immédiatement le chauffe-patio dans les cas suivants:
  - Vous sentez une odeur de gaz et les crêtes des flammes sont extrêmement jaunes.
  - Le chauffe-patio n'atteint pas la température adéquate.
 

**Remarque:** l'appareil fonctionnera à un rendement moindre à une température inférieure à 40°F (5°C).
  - La lueur du chauffe-patio n'est pas du tout uniforme.
  - Le brûleur fait des bruits de claquement lorsqu'il fonctionne.
 

**Remarque:** il est normal que le brûleur émette un léger bruit de claquement lors de son extinction.
- Des résidus de carbone risquent de provoquer un incendie. Veillez à ce que le dôme et l'émetteur demeurent toujours propres.
- Ne nettoyez pas le chauffe-patio avec un nettoyant combustible ou corrosif. Utilisez de l'eau tiède savonneuse.
- Ne peignez pas le moteur, le panneau d'accès du moteur ni le dôme.
- Inspectez complètement le chauffe-patio avant chaque utilisation.
- Après une période de remisage ou si le chauffe-patio n'a pas été utilisé pour une certaine période, assurez-vous qu'il n'y a pas de fuite et que les brûleurs ne sont pas bouchés. Vérifiez également que le tuyau ne présente pas de traces d'abrasion, d'usure ou de coupures.

### Nettoyage des surfaces du chauffe-patio

- Essuyez les surfaces du chauffe-patio avec un liquide à vaisselle doux ou du bicarbonate de soude.
- Pour les tâches coriaces, utilisez un dégraissant au citron et une brosse de nettoyage en nylon.
- Rincez à l'eau.

*Remarque:* Lorsque vous nettoyez l'appareil, assurez-vous que la zone autour du brûleur et de la veilleuse demeure toujours sèche. Si la commande de gaz est immergée dans de l'eau, NE PAS l'utiliser. Elle devra être remplacée.

### Entretien

Afin que votre chauffe-patio puisse fonctionner à plein rendement pendant de longues années, procédez régulièrement à l'entretien de l'appareil:

- Veillez à ce que les surfaces extérieures demeurent toujours propres.
- Rien ne doit gêner le flux d'air. Veillez à ce que les commandes, le brûleur, et les ouvertures permettant la circulation de l'air demeurent propres. Les indices permettant de déterminer qu'une de ces pièces est bouchée sont les suivants:

Il existe une odeur de gaz et la crête de la flamme est extrêmement jaune.

Le chauffe-patio n'atteint PAS la température désirée.

La lueur du chauffe-patio n'est pas du tout uniforme.

Le chauffe-patio émet des bruits de claquement.

*Remarque:* Dans une atmosphère saline (à proximité de la mer), les traces de rouille apparaissent plus vite qu'à la normale. Vérifiez régulièrement que l'appareil ne présente pas de points de rouille et réparez-les rapidement si nécessaire.

**CONSEIL:** Utilisez un lustrant automobile afin que votre chauffe-patio conserve son brillant. Appliquez le produit sur les surfaces extérieures du montant tubulaire, de haut en bas. N'appliquez pas de produit de lustrage sur la grille de l'émetteur ni sur le dôme

### Remisage

**Entre chaque utilisation:**

- Tournez le bouton de commande sur « OFF » (arrêt).
- Fermez le gaz en tournant le robinet de la bouteille de propane sur « CLOSED » (fermé).
- Débranchez la bouteille de propane.
- Remisez le chauffe-patio en le plaçant debout à l'abri des intempéries telles que la pluie, la pluie verglaçante, la grêle, la neige, la poussière, les vents forts et autres débris.
- Si vous le souhaitez, couvrez le chauffe-patio afin de protéger ses surfaces extérieures et éviter toute accumulation de saleté à l'intérieur des orifices par où l'air circule.

*Remarque:* Attendez que le chauffe-patio ait refroidi (environ 45 minutes) avant de le couvrir.

**En cas de longues périodes d'inactivité ou lors de son transport:**

- Tournez le bouton de commande sur « OFF » (arrêt).
- Fermez le gaz en tournant le robinet de la bouteille de propane sur « CLOSED » (fermé).
- Débranchez la bouteille de propane et placez-la à l'extérieur, à l'abri, dans un endroit bien aéré.
- Remisez le chauffe-patio en le plaçant debout à l'abri des intempéries telles que la pluie, la pluie verglaçante, la grêle, la neige, la poussière, les vents forts et autres débris.
- Si vous le souhaitez, couvrez le chauffe-patio afin de protéger ses surfaces extérieures et éviter toute accumulation de saleté à l'intérieur des orifices par où l'air circule.
- Ne laissez jamais une bouteille de propane en plein soleil ou à proximité d'une source de chaleur excessive.

*Remarque:* Attendez que le chauffe-patio ait refroidi (environ 45 minutes) avant de le couvrir.

## Enregistrement de l'appareil

Pour bénéficier plus rapidement du service offert par la garantie, veuillez enregistrer cet article immédiatement sur le site internet [www.bluerhino.com](http://www.bluerhino.com) ou appelez le 1.800.762.1142.

## Garantie limitée

La société Blue Rhino Global Sourcing, Inc. ("le fabricant") garantit cet article au premier acheteur au détail et à aucune autre personne, contre tout vice de matériau et de fabrication pendant un (1) an à partir de la date d'achat si cet article est monté et utilisé conformément aux instructions fournies. Le fabricant vous demandera sans doute une preuve raisonnable d'achat datée, veuillez donc conserver votre facture ou votre reçu. Cette garantie limitée se limitera à la réparation ou au remplacement de pièces ayant été déterminées défectueuses par le fabricant lors de conditions d'utilisation et d'entretien normales. Avant de renvoyer une pièce, contactez le service à la clientèle du fabricant (Customer Service Department). Si le fabricant confirme le défaut de fabrication et approuve la réclamation, ce dernier remplacera gratuitement les dites pièces. Si vous devez renvoyer des pièces défectueuses, les pièces devront être expédiées port-payé. Le fabricant s'engage à renvoyer les pièces à l'acheteur port-payé.

Cette garantie limitée ne couvre pas les pannes et dysfonctionnements survenant suite à tout accident, mauvais usage, entretien incorrect de cet article, ou toute modification, mauvaise installation ou négligence comme il a été établi dans ce manuel. De plus, cette garantie limitée ne couvre pas les dommages au fini, à savoir les rayures, les bosses, les traces de décoloration, de rouille ou les dommages résultant des intempéries après achat de l'article.

Cette garantie remplace toute autre garantie expresse et il n'existe aucune autre garantie expresse à l'exception de la couverture indiquée ici. Le fabricant désavoue toute garantie couvrant des produits ayant été achetés auprès de revendeurs autres que les revendeurs et distributeurs agréés y compris toute garantie de commerciabilité et d'adaptation à un usage particulier. LE FABRICANT DÉCLINE ÉGALEMENT TOUTE GARANTIE IMPLICITE Y COMPRIS TOUTE GARANTIE DE COMMERCIALITÉ ET D'ADAPTATION À UN USAGE PARTICULIER. LE FABRICANT NE POURRA ÊTRE TENU RESPONSABLE PAR L'ACHETEUR OU UN TIERS POUR TOUS DÉGÂTS ET DOMMAGES PARTICULIERS, INDIRECTS, PUNITIFS OU CONSÉCUTIFS. De plus, le fabricant désavoue toute garantie expresse ou implicite et décline toute responsabilité en cas de défaut de fabrication causés par un tiers.

Cette garantie limitée octroie des droits juridiques spécifiques à l'acheteur et il est possible que ce dernier en possède d'autres selon sa localité. Certaines juridictions ne permettent pas l'exclusion ni la limitation de dommages consécutifs ou accessoires et ces limitations peuvent ne pas être applicables à tous.

Le fabricant ne permet en aucun cas à une personne ou à une société de s'attribuer les responsabilités et les obligations liées à la vente, l'installation, l'utilisation, la dépose ou le remplacement de cet article, et aucune de ces représentations n'engage la responsabilité du fabricant.

Blue Rhino Sourcing, Inc.  
Winston-Salem, North Carolina 27105, États-Unis  
(800)-762-1142

## Caractéristiques techniques

### Homologations

ANS Z83.26a-2008 • CSA 2.37a-2008, Chauffe-patio d'extérieur infrarouge au gaz

### Puissance:

Entrée maximum: 40 000 BTU/heure

### Périmètre chauffé:

Jusqu'à 3 mètres de diamètre

### Combustible:

Propane liquide (PL)

### Type de bouteille de gaz:

20 lbs (9 kg)/5 gallons (19 litres)

### Pression d'admission:

Maximum – 150 PSI

Minimum – 5 PSI

### Pression du collecteur:

11 po. (28 cm) de colonne d'eau.

### Moteur:

IPP E1

### Dispositifs de sécurité:

Système d'arrêt à détecteur d'épuisement d'oxygène (ODS)

Extinction à 100% des brûleurs

Contacteur d'arrêt en cas d'inclinaison

### Fabricant:

Blue Rhino Global Sourcing, Inc.

### Lieu de fabrication:

Chine



## Guide de dépannage

Problème	Cause possible	Prévention/Mesure correctrice
<b>La veilleuse ne s'allume pas.</b>	L'allumeur ne fonctionne pas.	Allumez le chauffe-patio manuellement avec une allumette en suivant les instructions d'allumage.
	L'orifice ou le tube de la veilleuse est bouché.	Nettoyez la veilleuse: Téléchargez les instructions de nettoyage du site <a href="http://www.bluerhino.com">www.bluerhino.com</a>
	Le robinet de la bouteille de propane est fermé.	Assurez-vous que le régulateur est solidement fixé à la bouteille de propane, tournez le robinet de la bouteille sur « OPEN » (ouvert).
	Il y a de l'air dans le tuyau de gaz.	1. Ouvrez et purgez le tuyau de gaz (maintenir le bouton de commande appuyé) pendant 1 à 2 minutes ou jusqu'à ce que vous sentiez une odeur de gaz. 2. Tournez le bouton de commande sur « OFF » (arrêt) 3. Attendez au moins 5 minutes pour que le gaz se dissipe.
	La pression du gaz est basse même avec le robinet de la bouteille complètement ouvert (OPEN).	Tournez le robinet de la bouteille de propane sur « CLOSED » (fermé) et remplacez la bouteille.
<b>La veilleuse ne demeure pas allumée. (Pour chauffe-patios domestiques ou à usage commercial uniquement)</b>  <i>Remarque: Le chauffe-patio fonctionne à un rendement moindre en dessous de 40°F (5°C).</i>	Accumulation de saleté autour de la veilleuse.	Nettoyez la veilleuse: Téléchargez les instructions de nettoyage du site <a href="http://www.bluerhino.com">www.bluerhino.com</a>
	Le raccord entre la commande de gaz et la veilleuse est desserré.	Serrez le raccord et déterminez si ce dernier présente une fuite.
	Il y a de l'air dans le tuyau de gaz.	Ouvrez et purgez le tuyau de gaz (maintenez le bouton de commande appuyé) pendant 1 à 2 minutes ou jusqu'à ce que vous sentiez une odeur de gaz.
	Le thermocouple est défectueux.	Nettoyez le chauffe-patio: Téléchargez les instructions de nettoyage du site <a href="http://www.bluerhino.com">www.bluerhino.com</a>
<b>Le brûleur ne s'allume pas.</b>  <i>Remarque: Le chauffe-patio fonctionne à un rendement moindre en dessous de 40°F (5°C).</i>	Le bouton de commande n'est pas sur « ON » (marche).	Reportez-vous aux instructions d'allumage et essayez à nouveau.
	La pression du gaz est basse.	Tournez le robinet de la bouteille de propane sur « CLOSED » (fermé) et remplacez la bouteille.
	L'orifice est bouché.	Débouchez l'orifice: Téléchargez les instructions de nettoyage du site <a href="http://www.bluerhino.com">www.bluerhino.com</a>
	Le raccord entre la commande de gaz et la veilleuse est desserré.	Serrez le raccord et déterminez si ce dernier présente une fuite.
	Il y a de l'air dans le tuyau de gaz.	Ouvrez et purgez le tuyau de gaz (maintenez le bouton de commande appuyé) pendant 1 à 2 minutes ou jusqu'à ce que vous sentiez une odeur de gaz.
<b>Le brûleur ne demeure pas allumé.</b>	Le raccord entre la commande de gaz et le brûleur est desserré.	Serrez le raccord et déterminez si ce dernier présente une fuite.
	Le thermocouple est défectueux.	Nettoyez le chauffe-patio s'il ne fonctionne toujours pas. Procurez-vous un nouveau thermocouple auprès du fabricant.
<b>La flamme du brûleur est basse.</b>  <i>Remarque: Le chauffe-patio fonctionne à un rendement moindre en dessous de 40°F (5°C).</i>	La pression du gaz est basse.	Tournez le robinet de la bouteille de propane sur « CLOSED » (fermé) et remplacez la bouteille.
	La température extérieure est inférieure à 40°F (5°C) et la bouteille de gaz n'est pleine qu'au 1/4 de sa capacité.	Utilisez une nouvelle bouteille de propane pleine.
	Le tuyau d'alimentation du gaz est plié ou tordu.	Dépliez le tuyau. S'il est fissuré, procurez-vous un nouveau tuyau auprès du fabricant.
<b>La lueur de l'émetteur n'est pas uniforme.</b>  <i>Remarque: Les derniers 2,5 cm au bas de l'émetteur NE présentent PAS de lueur.</i>	La pression du gaz est trop basse.	Tournez le robinet de la bouteille de propane sur « CLOSED » (fermé) et remplacez la bouteille.
	Le socle n'est pas sur une surface à niveau.	Placez le chauffe-patio sur une surface à niveau.
	Le brûleur est bouché.	Nettoyez le brûleur: Téléchargez les instructions de nettoyage du site <a href="http://www.bluerhino.com">www.bluerhino.com</a>
<b>Fumée épaisse noire.</b>	Le brûleur est bouché.	Débouchez le brûleur et nettoyez l'intérieur et l'extérieur du brûleur: Téléchargez les instructions de nettoyage du site <a href="http://www.bluerhino.com">www.bluerhino.com</a>

Si ces problèmes ne peuvent pas être solutionnés en suivant ces méthodes, veuillez appeler notre service technique au 1.800.762.1142