

READ BEFORE USE
LIRE AVANT D'UTILISER
LEA ANTES DE USAR

Visit hamiltonbeach.com for delicious recipes, tips, and to register your product online!



Consulter hamiltonbeach.ca pour les recettes délicieuses, conseils pratiques, et pour enregistrer votre produit!

Visite hamiltonbeach.com.mx para recetas deliciosas, consejos, y para registrar su producto en línea.

Questions?

Please call us – our friendly associates are ready to help.
USA: 1.800.851.8900

Questions?

N'hésitez pas à nous appeler – nos associés s'empresseront de vous aider.
CAN: 1.800.267.2826

¿Preguntas?

Por favor llámenos – nuestros amables representantes están listos para ayudar.

MEX: 01 800 71 16 100

Le invitamos a leer cuidadosamente este instructivo antes de usar su aparato.

**Hamilton
Beach®**

SmartToast® 2-Slice Toaster
Grille-pain à 2 fentes
Tostador de 2 Ranuras



English	2
Français	9
Español	16

WARNING



To reduce the risk of fire:

- Do not operate while unattended.
- Do not use with food that has been spread with butter, jelly, frosting, etc.
- Do not use with rice cakes, fried foods, frozen prepared foods or non-bread items.
- Do not use with toaster pastries. Always cook toaster pastries in a toaster oven broiler.
- Do not cover or use near curtains, walls, cabinets, paper or plastic products, cloth towels, etc.
- Closely supervise when used by or near children.
- Always unplug toaster when not in use.

Failure to follow these instructions can result in death or fire.

IMPORTANT SAFEGUARDS

When using electrical appliances basic safety precautions should always be followed, including the following:

1. Read all instructions.
2. Do not operate toaster while unattended.
3. Close supervision is necessary when any appliance is used by or near children.
4. Do not attempt to dislodge food when toaster is plugged in.
5. To protect against electrical shock, do not immerse cord, plug, or toaster in water or other liquid.
6. Unplug from outlet when not in use and before cleaning. Allow to cool before putting on or taking off parts, or moving toaster.
7. Do not operate toaster with a damaged cord or plug or after toaster malfunctions or has been damaged in any manner. Call our toll-free customer service number for information on examination, repair or adjustment.
8. Oversized foods, metal foil packages, or utensils must not be inserted in a toaster as they may involve a risk of fire or electric shock.
9. Do not clean with metal scouring pads. Pieces can break off pad and touch electrical parts resulting in risk of electrical shock.
10. A fire may occur if toaster is covered or touching flammable material, including curtains, draperies, walls, overhead cabinets, paper or plastic products, cloth towels, and the like, when in operation.
11. Do not operate toaster in an enclosed space, such as an appliance cabinet, caddy, garage or other storage area.

12. Do not cook, warm, or toast rice cakes, fried foods, non-bread items or toaster pastries. Toaster pastries should be heated in a toaster oven broiler. Do not heat any food product that has been spread or iced with margarine, butter, jelly, frosting, syrup, or other spread. Follow Toasting Guide.
13. Failure to clean crumb tray may result in a fire hazard.
14. Do not place on or near a hot gas or electric burner, or in a heated oven.
15. Do not touch hot surfaces. Use handles or knobs.
16. The use of accessory attachments not recommended by the appliance manufacturer may cause injuries.
17. Do not let cord hang over edge of table or counter, or touch hot surfaces, including the stove.
18. Before unplugging toaster, make sure bread lifter is in the OFF position.
19. Do not use outdoors.
20. Do not use toaster for other than intended use.
21. This product is for household use only.

SAVE THESE INSTRUCTIONS!

OTHER CONSUMER SAFETY INFORMATION

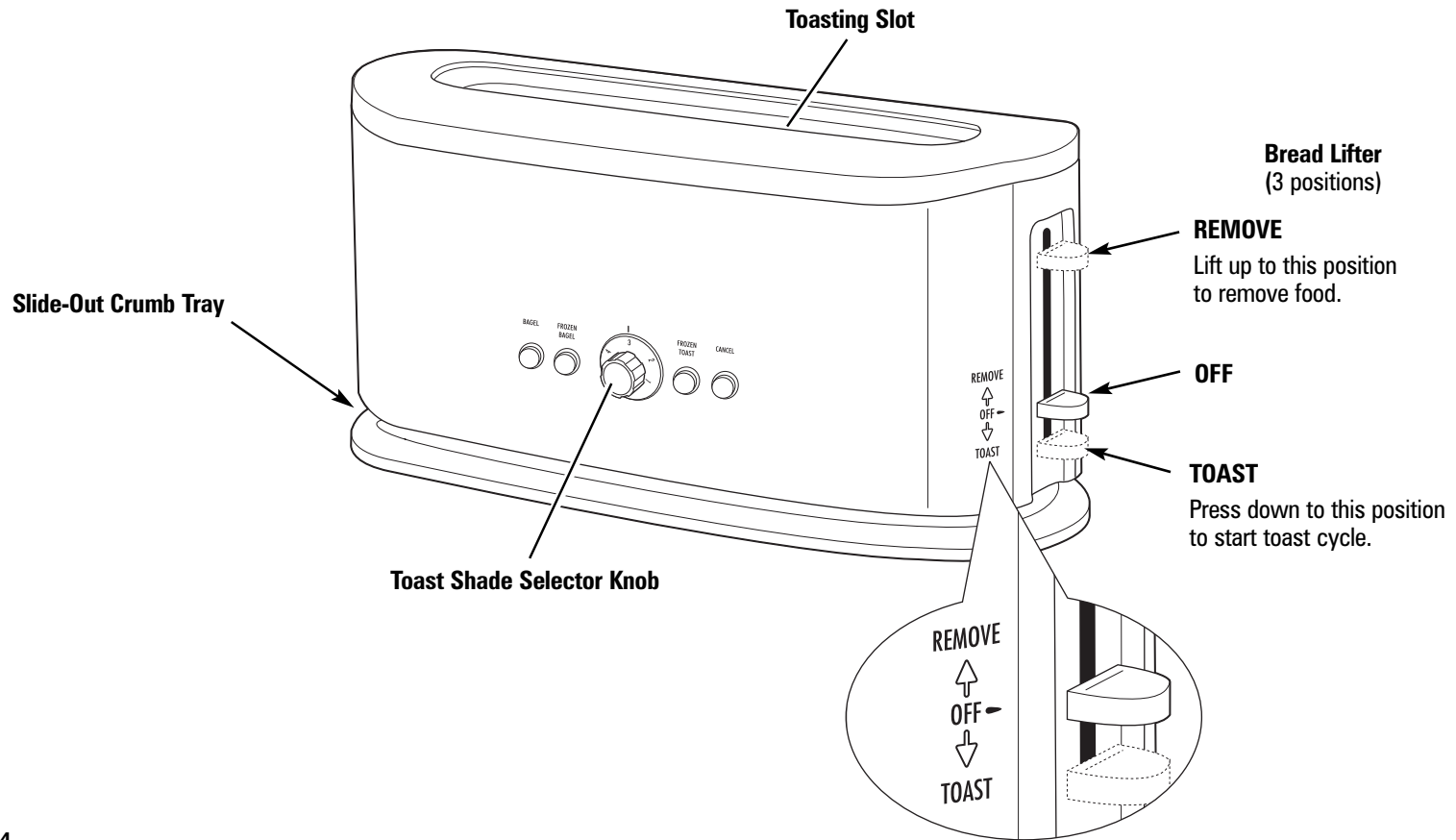
This appliance is intended for household use only.

To avoid a circuit overload, do not operate another high wattage appliance on the same circuit.

WARNING! Shock Hazard: This appliance has a polarized plug (one wide blade) that reduces the risk of electric shock. The plug fits only one way into a polarized outlet. Do not defeat the safety purpose of the plug by modifying the plug in any way or using an adaptor. If the plug does not fit, reverse the plug. If it still does not fit, have an electrician replace the outlet.

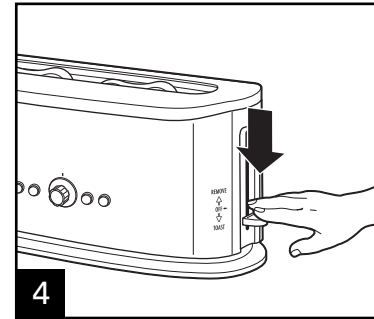
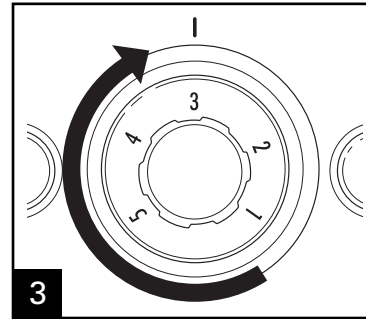
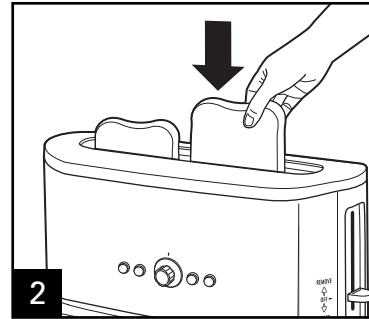
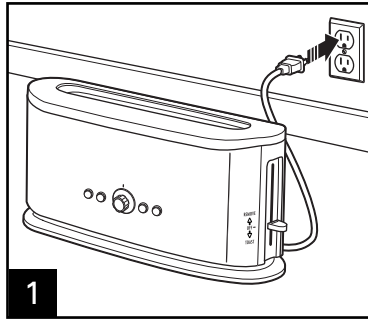
The length of the cord used on this appliance was selected to reduce the hazards of becoming tangled in, or tripping over a longer cord. If a longer cord is necessary, an approved extension cord may be used. The electrical rating of the extension cord must be equal to or greater than the rating of the appliance. Care must be taken to arrange the extension cord so that it will not drape over the counter-top or tabletop where it can be pulled on by children or accidentally tripped over.

Parts and Features

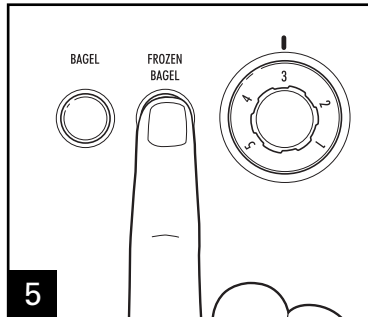


How to Use Toaster

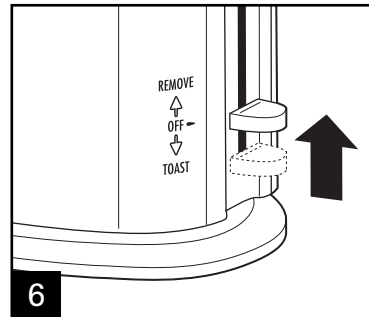
NOTE: The bread lifter will not latch down unless the toaster is plugged in.



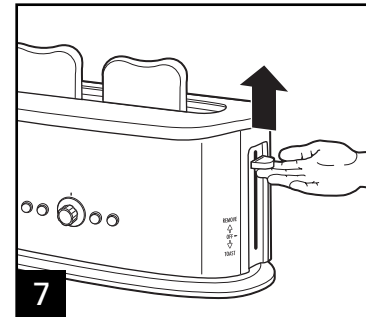
Turn to desired setting.



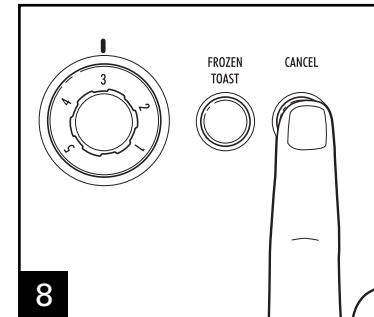
Press a function button if desired.
NOTE: Press function button again to cancel function. (This will not cancel toast cycle.) See Toasting Guide for more information.



Toaster will beep and bread lifter will pop up to OFF position.

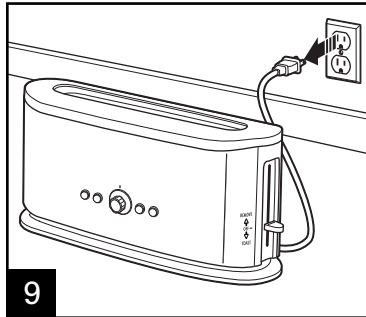


When toasting is finished, food item will remain down in toasting slot to keep warm. Raise Bread Lifter to remove food items.



Press CANCEL button to stop toasting at any time.

How to Use Toaster (cont.)



9

Toasting Tips

- To remove food that becomes lodged in toasting slot, disconnect from outlet and allow toaster to cool. Turn toaster upside down and shake. Do not use fork or other utensil that could damage heating element or result in risk of fire or electrical shock.
- When toasting a single slice, you may notice variations in bread color from side to side.
- Setting 5 is the darkest shade of toast color. If a darker shade is desired, reset at 3. Watch closely and toast for a second cycle.

Toasting Guide

FOOD	Shade Setting	Optional Setting
Regular bread	2 - 4	
English muffins	4	Bagel
Bagels	4 - 5	Bagel
Frozen bagel or buns	3 - 4	Frozen Bagel
Frozen waffles or bread	4 - 5	Frozen Toast
Toaster pastries* (such as Pop Tarts®)		
Frozen prepared foods* (such as Toaster Strudel™ or Hot Pockets®)		
*Do not heat in toaster – use toaster oven. NEVER heat cracked, broken or warped pastries, and NEVER leave unattended.		

® Pop Tart is a registered trademark of the Kellogg Co.

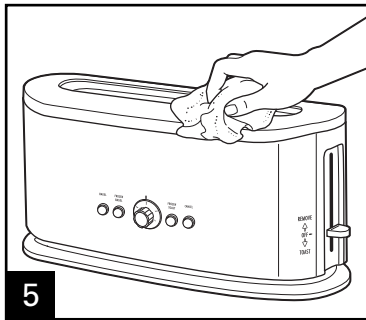
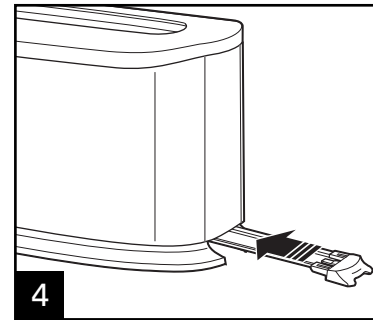
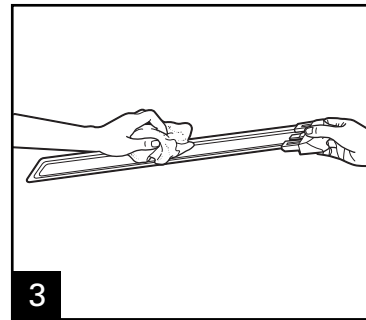
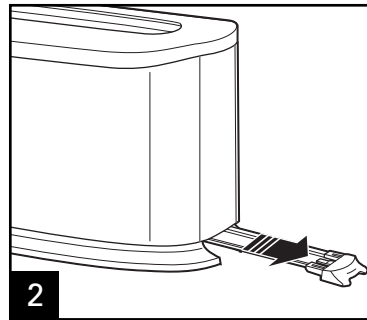
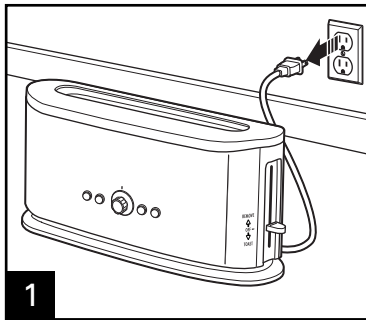
™ Toaster Strudel is a trademark of the Pillsbury Co.

® Hot Pockets is a registered trademark of Nestlé.

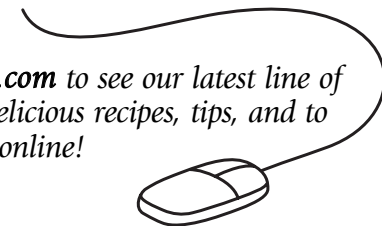
Cleaning

Clean regularly for best performance and long life.
Regular cleaning will also reduce the risk of fire hazard.

⚠ WARNING Electrical Shock Hazard.
Do not clean with metal scouring pads.
Pieces can break off pad and touch electrical parts.



Visit hamiltonbeach.com to see our latest line of kitchen appliances, delicious recipes, tips, and to register your product online!



Limited Warranty

This warranty applies to products purchased in the U.S. or Canada.

This product is warranted to be free from defects in material and workmanship for a period of one (1) year from the date of original purchase, except as noted below. During this period, we will repair or replace this product at our option. THE FOREGOING WARRANTY IS IN LIEU OF ANY OTHER WARRANTY OR CONDITION, WHETHER EXPRESS OR IMPLIED, WRITTEN OR ORAL INCLUDING, WITHOUT LIMITATION, ANY STATUTORY WARRANTY OR CONDITION OF MERCHANTABILITY OR FITNESS FOR A PARTICULAR PURPOSE. ANY LIABILITY IS EXPRESSLY LIMITED TO AN AMOUNT EQUAL TO THE PURCHASE PRICE PAID, AND ALL CLAIMS FOR SPECIAL, INCIDENTAL AND CONSEQUENTIAL DAMAGES ARE HEREBY EXCLUDED. There is no warranty with respect to the following, which may be supplied with this product, including without limitation: glass parts, glass containers, cutter/strainers, blades, seals, gaskets, clutches, motor brushes, and/or agitators, etc. This warranty extends only to the original consumer purchaser and does not cover a defect resulting from abuse, misuse, neglect including failure to clean product regularly in accordance with manufacturer's instructions, use for commercial purposes, or any use not in conformity with the printed directions. This warranty gives you specific legal rights, and you may also have other legal rights which vary from state to state, or province to province. Some states or provinces do not allow limitations on implied warranties or special, incidental or consequential damages, so the foregoing limitations may not apply to you.

If you have a claim under this warranty, DO NOT RETURN THE APPLIANCE TO THE STORE! Please call our CUSTOMER SERVICE NUMBER. (For faster service please have model, series, and type numbers ready for operator to assist you.)

CUSTOMER SERVICE NUMBERS

In the U.S. 1.800.851.8900

In Canada 1.800.267.2826

In Mexico 01.800.71.16.100

hamiltonbeach.com

KEEP THESE NUMBERS FOR FUTURE REFERENCE!