



Built in Oven

Parts List



MODEL
WOU130 SS DCS US

PRODUCT CODE
88494-A

PRODUCT

Brand DCS
Voltage 240/120v AC 60Hz
208/120v AC 60Hz
Model WOU130 SS DCS US
Product Code 88494-A

Description
Brushed stainless steel, self cleaning, single oven

Fisher & Paykel Appliances Inc
5900 Skylab Rd,
Huntington Beach
California, CA92647
USA
Telephone: 888 936 7872
E-mail:
customer.care@fisherpaykel.com

CONTENTS

DOOR OUTER ASSEMBLY	6
DOOR INNER ASSEMBLY	8
CONTROL PANEL ASSEMBLY	10
ELECTRONIC ASSEMBLY	12
CAVITY & COMPONENTS.....	14
CHASSIS ASSEMBLY	18
ELEMENTS & ACCESSORIES.....	22

GUIDE TO USING THIS MANUAL

The model covered by this manual is listed on the front cover.

The information detailed in this manual is subject to change without notice. The latest version is indicated by the reprint date and replaces any earlier editions.

The front cover picture shows the type of product and may not necessarily be an exact image of the model covered by the manual.

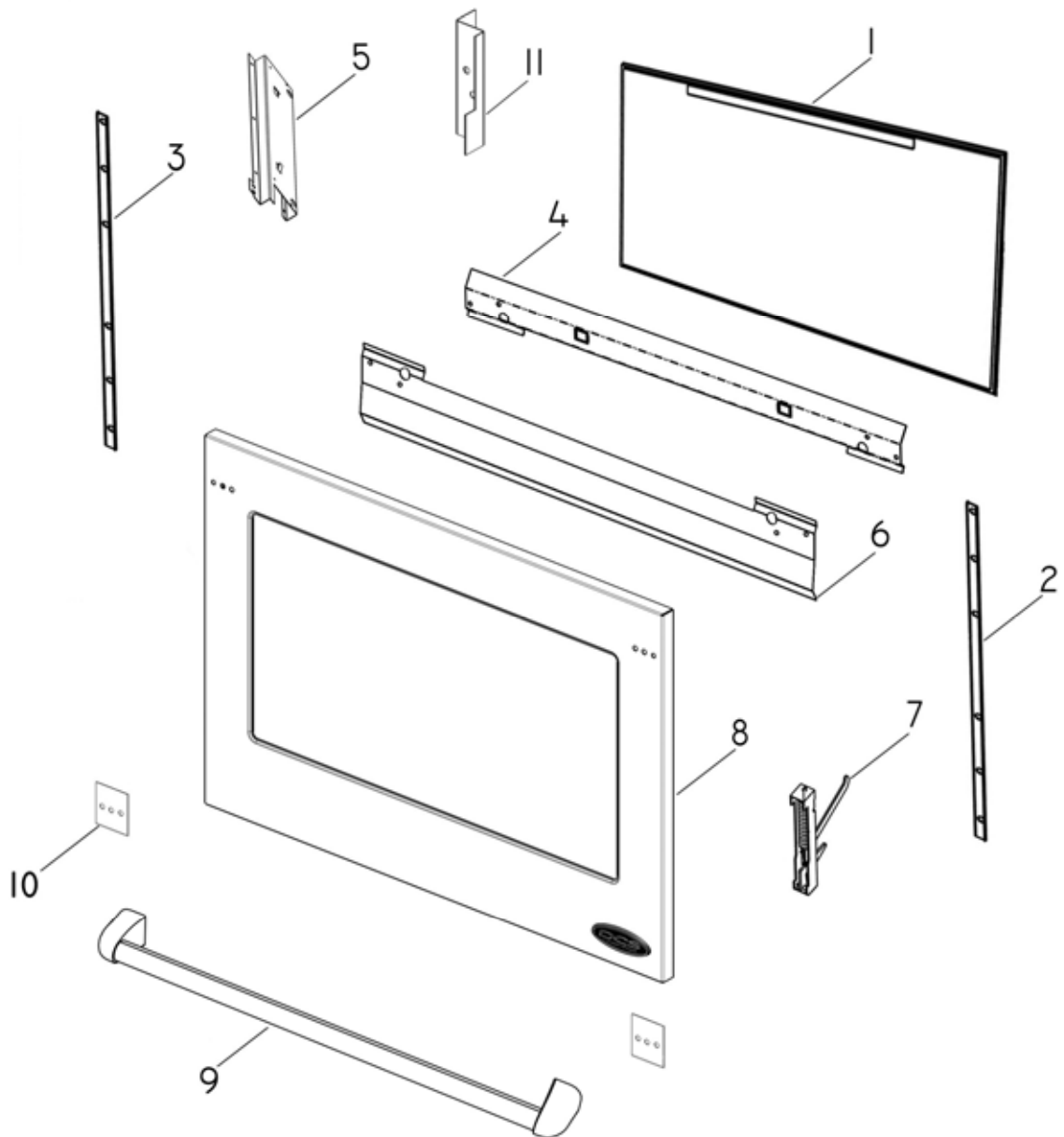
Kit Parts

Kit components are shown in *italics*. Where a part number is shown against the descriptions for these kit components, they are also available as separate items. In addition, some parts may be supplied with these kits that are not available as separate items, and are therefore either not listed, or a part number is not shown against the part description in this manual.

Parts List Key

NOT USED	As a part number, indicates the illustrated part is not used in this model.
NS	As a part number, indicates the part cannot be serviced or replaced and is not available as a spare part.
<i>italics</i>	Kit components or parts included are shown in <i>italics</i> . Refer to above notes: Kit Parts
NI	As a part reference, indicates the part is not illustrated on the diagram.

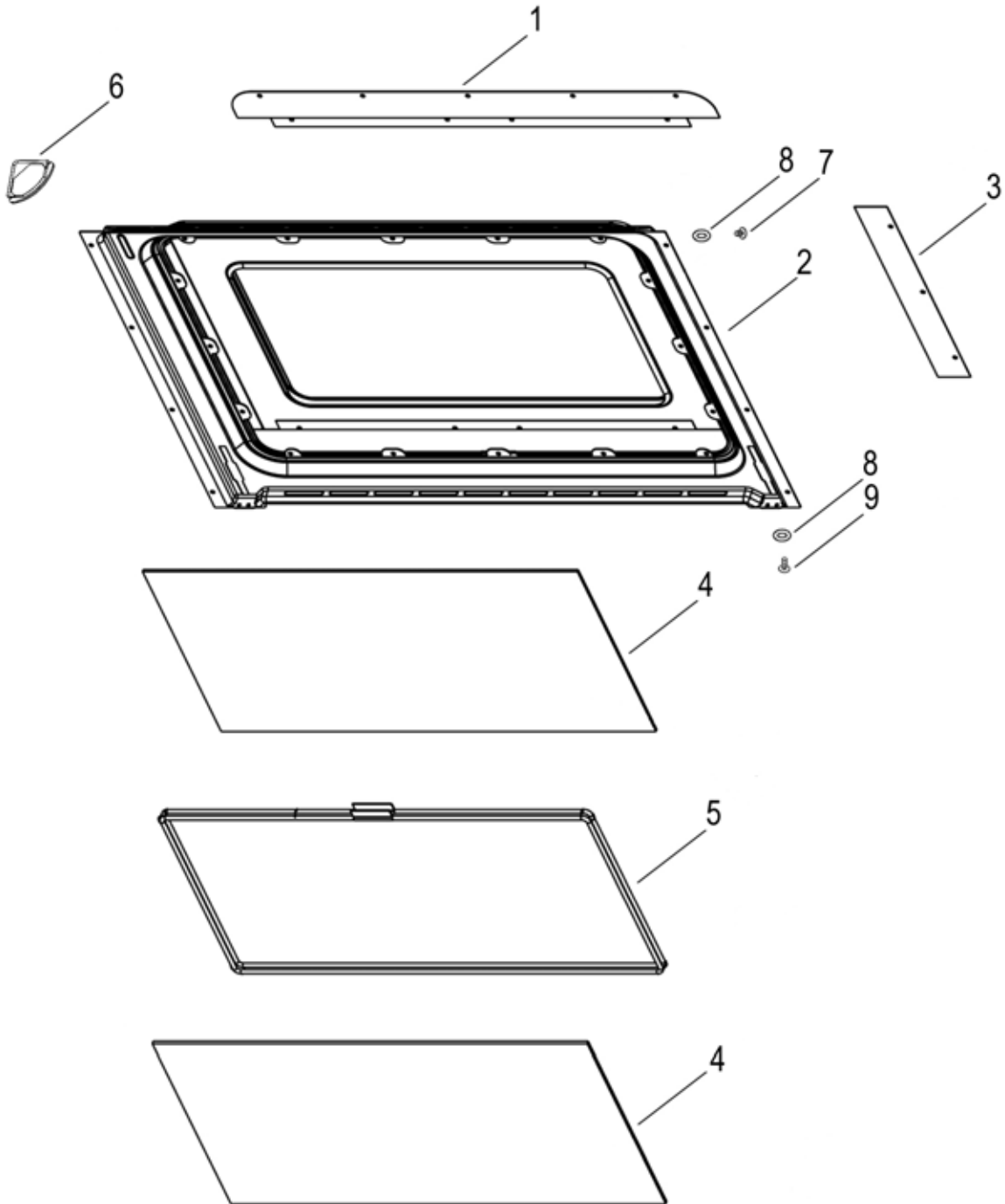
DOOR OUTER ASSEMBLY



DOOR OUTER ASSEMBLY

REF	PART	DESCRIPTION
1	546380P	GLASS HEAT REFLECT HBII
2	545697	TRIM DOOR RIGHT
3	545696	TRIM DOOR LEFT
NI	556620P	SCREW ST 8X10 TAB MTS BK (PKT 10)
4	545672	HEAT SHIELD DOOR OUTER
NI	556009P	SCREW ST 8X3/8 TAB MSH PH NP (PKT 10)
5	545600	BRACKET OUTER DOOR GLASS
NI	556009P	SCREW ST 8X3/8 TAB MSH PH NP (PKT 10)
6	545601	PANEL FLOW GUIDE BOTTOM
NI	556009P	SCREW ST 8X3/8 TAB MSH PH NP (PKT 10)
7	545472	HINGE ASSY NUOVA STAR
NI	542679P	SCREW MC M5X10 CSK PH BL (PKT 10)
8	547228	KIT O/DOOR LWR/SGL 130/230 DCS SS
	<i>Includes</i>	<i>CAP DOOR DCS LOWER</i>
	<i>Includes</i>	<i>GLASS OUTER DOOR DCS</i>
	<i>Includes</i>	<i>CLIP STARLOCK 1/8 5897</i>
	<i>Includes</i>	<i>STANCHION LH 303</i>
	<i>Includes</i>	<i>STANCHION RH 303</i>
	<i>Includes</i>	<i>RIVET CCP 1/8 4 – 3 SS</i>
	<i>Includes</i>	<i>CLIP DOOR EXTRUSION BLACK</i>
	<i>Includes</i>	<i>INSULATION DOOR OUTER V2</i>
	<i>Includes</i>	<i>INSULATION DOOR OUTER TOP V2</i>
	<i>Includes</i>	<i>INSULATION OUTER DOOR TOP V2</i>
	<i>Includes</i>	<i>DEFLECTOR DOOR VENT 303</i>
	<i>Includes</i>	<i>BADGE 3.3"</i>
9	547210	HANDLE ASSY DCS
	<i>Includes</i>	<i>ENDCAP HANDLE DCS</i>
	<i>Includes</i>	<i>BAR HANDLE DCS</i>
10	547107	PLATE HANDLE SUPPORT DCS
11	547176	BRACKET GLASS OUTER SUPPORT

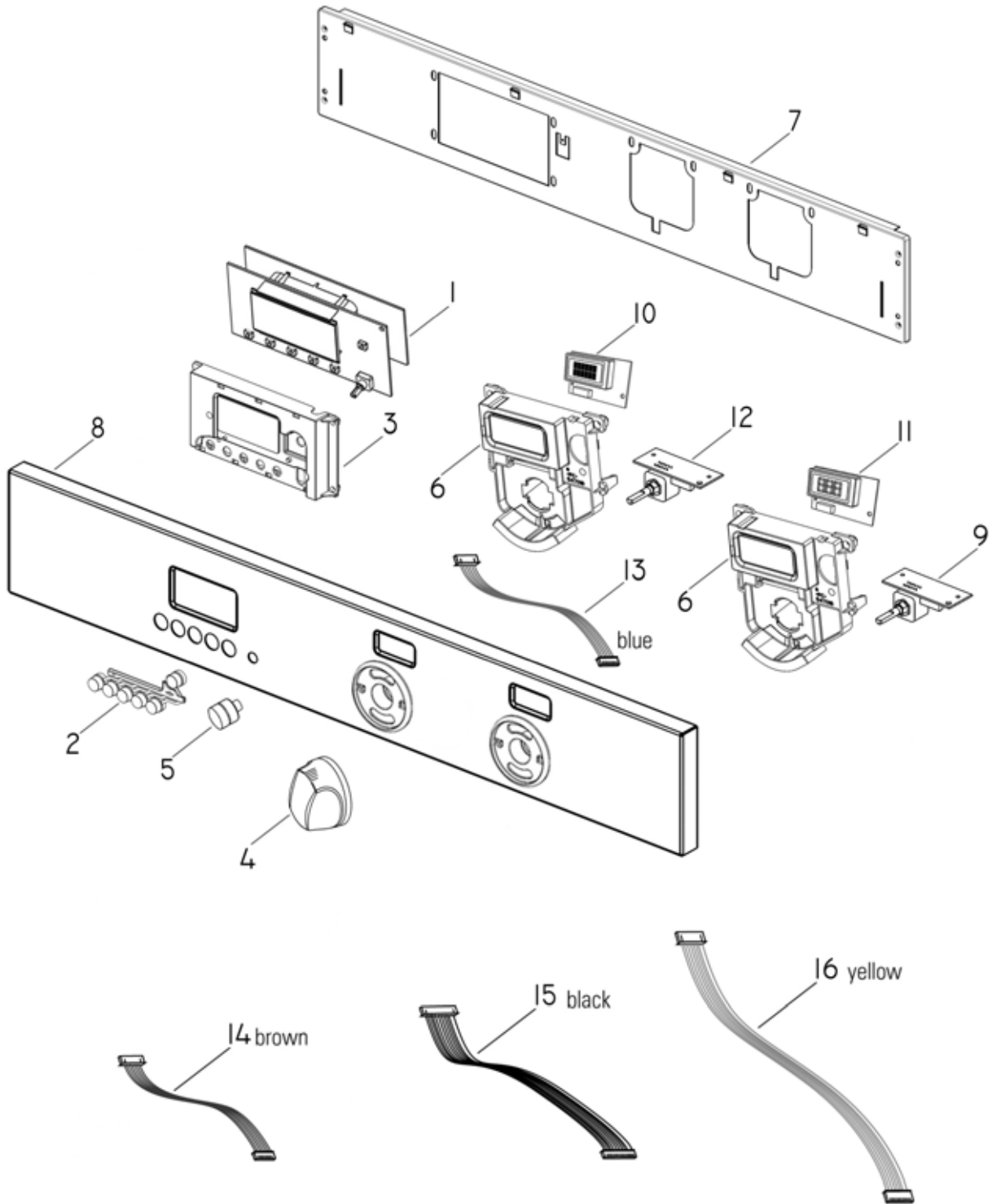
DOOR INNER ASSEMBLY



DOOR INNER ASSEMBLY

REF	PART	DESCRIPTION
1	545684	RETAINER INSULATION LOWER
2	547230	KIT INNER DOOR/GASKET ASSY
	<i>Includes</i>	<i>CAP INNER DOOR ASSY ENAM GPHT</i>
	<i>Includes 546380</i>	<i>GLASS HEAT REFLECT HBII (2)</i>
	<i>Includes</i>	<i>GASKET OVEN DOOR</i>
	<i>Includes</i>	<i>DOOR INNER ENAM GPHT</i>
	<i>Includes</i>	<i>RETAINER INSULATION LOWER (2)</i>
	<i>Includes 556009</i>	<i>SCREW ST 8X3/8 TAB MSH PH (20)</i>
	<i>Includes 546202</i>	<i>INSULATION DOOR SIDES/OVEN (2)</i>
	<i>Includes 546201</i>	<i>INSULATION DOOR TOP & BOTTOM (2)</i>
	<i>Includes 545564</i>	<i>RETAINER INSULATION DOOR (2)</i>
3	545564	RETAINER INSUL DOOR
NI	556009P	SCREW ST 8X3/8 TAB MSH PH (PKT 10)
4	546380P	GLASS HEAT REFLECT HBII
5	546613	GASKET INNER DOOR CAP
6	545704	BUFFER DOOR
7	556620P	SCREW ST 8X10 TAB MTS BK (PKT 10)
8	556504P	WASHER 4.0 10.0 0.8 F/BK (PKT 10)
9	546692P	SCREW ST 8X12MM TAB MTS (PKT 10)
NI	546201	INSUL DOOR TOP & BOTTOM
NI	546202	INSULATION DOOR SIDES/OVEN

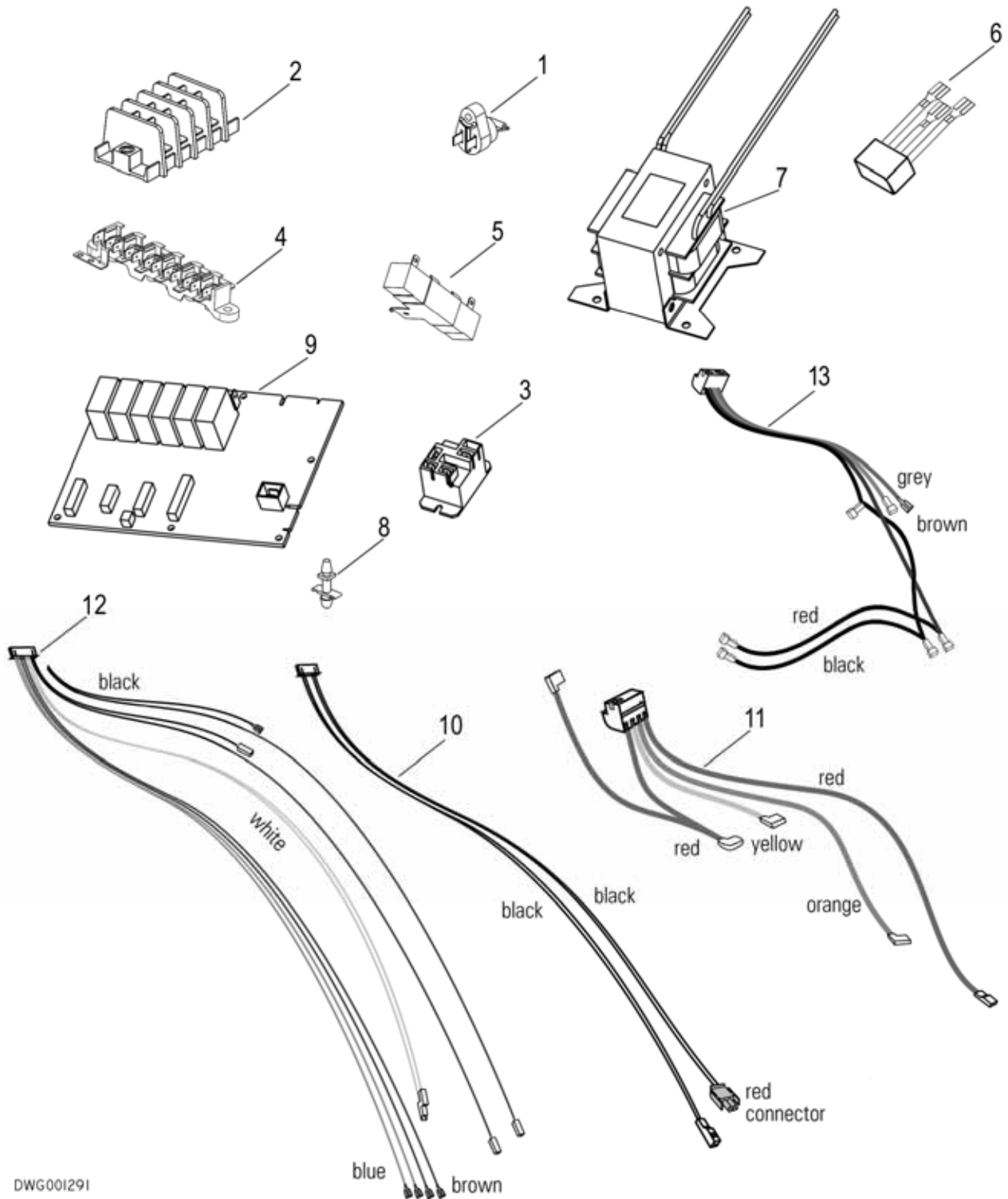
CONTROL PANEL ASSEMBLY



CONTROL PANEL ASSEMBLY

REF	PART	DESCRIPTION
1	547231	KIT CLOCK PCB/LENS
	<i>Includes</i>	<i>MODULE CLOCK 545 DCS WHITE</i>
	<i>Includes 546920</i>	<i>LENS CLOCK 303</i>
2	546921	BUTTONS CLOCK 303
3	546920	LENS CLOCK 303
4	546933	KNOB ASSY DCS
5	546926	BUTTON CLOCK TWIST DCS
6	547016	LENS MOUNTING FUNC TEMP 303
7	547105	MTG PANEL DCS BLACK
NI	546692P	SCREW ST 8X12MM TAB MTS (PKT 10)
8	547235	KIT CNTRL PNL BEZEL WOU130
	<i>Includes</i>	<i>CAP CONTROL TXT LZD DCS SGL</i>
	<i>Includes</i>	<i>KNOB BEZEL DCS</i>
9	546677	ASSY TEMP SWITCH PCB ROHS
NI	556345P	SCREW MC M4X18 (PKT 10)
10	546870	DISPLAY LCD FUNC DCS TEXT
11	546869	DISPLAY LCD TEMP DCS
12	546597	ASSY FUNCT SWITCH PCB ROHS
13	555798	HARNESS PCB LCD 6W BUS
14	555797	HARNESS DBL FUNCT TEMP 8W BUS
15	555712	HARNESS CLOCK GENERIC 12W BUS
16	555791	HARNESS CLOCK FUNCT 8W BUS

ELECTRONIC ASSEMBLY

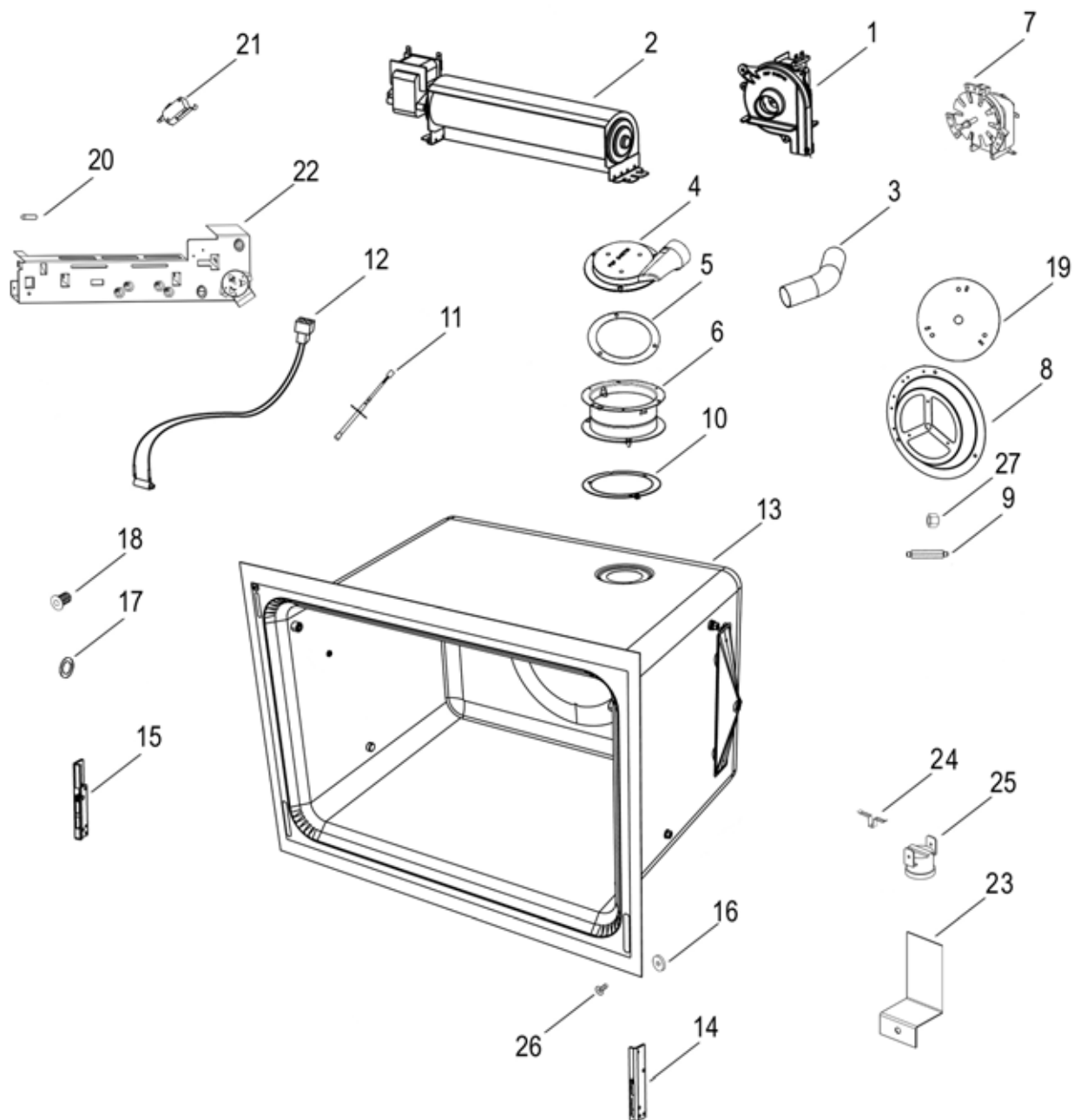


DWG001291

ELECTRONIC ASSEMBLY

REF	PART	DESCRIPTION
1	545866	LIMITER MICROTEMP
2	546996	DISTRIBUTOR BLOCK 4 POLE
NI	556009P	SCREW ST 8X3/8 TAB MSH PH (PKT 10)
3	546753	RELAY ISOLATING T9A TYC ROHS
NI	542806P	SCREW 4X3/8 TAB PAN (PKT 10)
4	546995	TERMINAL BLOCK 6 POLE UL
NI	542792P	SCREW ST 8X1TAB PAN PH NP (PKT 10)
5	546550	RESISTOR 50W 120V 100 OHM
NI	556009P	SCREW ST 8X3/8 TAB MSH PH NP (PKT 10)
6	546314	Y CAP CAPACITOR 4700 EU
7	546529P	TRANSFORMER US 120V 302
NI	556009P	SCREW ST 8X3/8 TAB MSH PH NP (PKT 10)
8	545456	SPACER SUPPORT PCB
9	546670P	POWER MODULE ROHS
10	555872	HARNESS TEMP SENS MT PROBE UPR
11	555990	HARNESS GEN CFAN VFAN UPR 200
12	546867	HARNESS ISO SWITCH LTR UPPER
13	546865	HARNESS LIGHTS UPPER

CAVITY & COMPONENTS

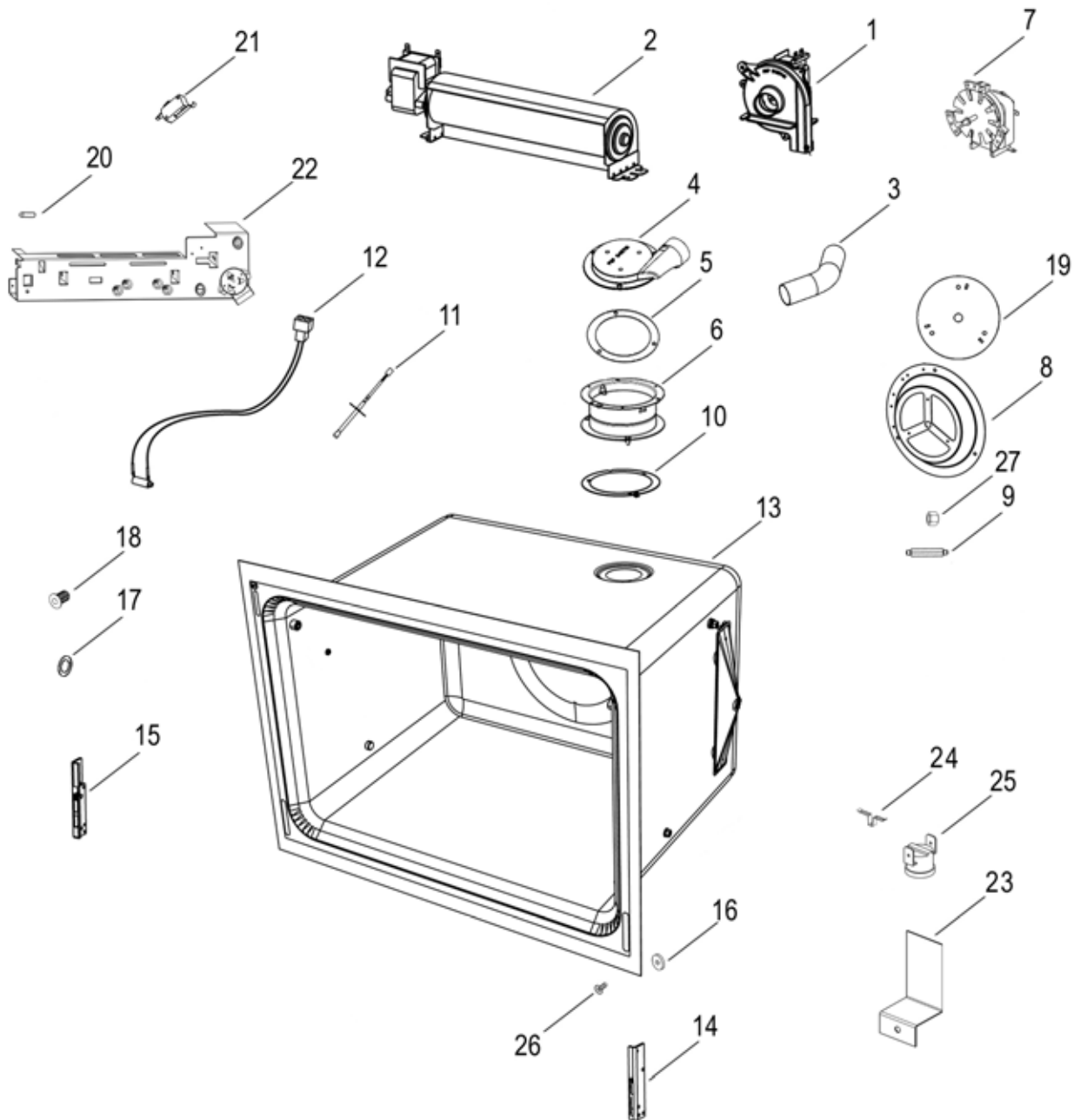


CAVITY & COMPONENTS

REF	PART	DESCRIPTION
1	545750P	EXHAUST FAN ASSY (VENT FAN)
NI	556009P	SCREW ST 8X3/8 TAB MSH PH NP (PKT 10)
2	546564P	KIT COOLING FAN SPARES
	<i>Includes</i>	<i>BRACKET LOWER COOLING FAN</i>
	<i>Includes</i>	<i>FAN COOLING 120V US</i>
	<i>Includes</i>	<i>SCREW ST 4X3/8PLSTITE CSKPH NP</i>
	<i>Includes</i>	<i>BRACKET CNTRL GLASS/FAN WO600</i>
	<i>Includes</i>	<i>FOAM TAB EPDM 6X25X35 (FIRM)</i>
	<i>Includes</i>	<i>FOAM STRIP EPDM 3X580X10S/SOFT</i>
	<i>Includes</i>	<i>FOAM TAB SILICONE 6X25X25</i>
NI	556009P	SCREW ST 8X3/8 TAB MSH PH NP (PKT 10)
3	545717	TUBE UPPER
4	545716	EXHAUST CAP
NI	556012P	SCREW ST 1024X1/2 T23HXW (PKT 10)
5	545720	GASKET EXHAUST
6	NS	SMOKE ELIMINATOR – NOT AVAILABLE AS A SPARE PART
7	545039P	FAN KITSET OVEN INT
NI	556037P	SCREW ST 8X5/8 TAB PAN PHSR NP (PKT 10)
8	545062	PLATE FAN MOUNTING
9	545059	STUD FAN MOUNTING
10	NS	GAUZE ASSY – NOT AVAILABLE AS A SPARE PART
11	545259	SENSOR OVEN TEMP CYNTEC 3
NI	556009P	SCREW ST 8X3/8 TAB MSH PH NP (PKT 10)
12	546283	KIT MEAT PROBE SOCKET
	<i>Includes</i>	<i>SOCKET MEAT PROBE</i>
	<i>Includes</i>	<i>HARNESS MEAT PROBE</i>
13	NS	OVEN CAVITY - NOT AVAILABLE AS A SPARE PART
14	545518	COUNTER SUPPORT ASSY RH
	<i>Includes</i>	<i>HINGE COUNTER SUPPORT NUOVA</i>
	<i>Includes 546694</i>	<i>SCREW MC M5X8 PAN PH MS NP</i>
	<i>Includes</i>	<i>BRACKET COUNTER SUPPORT RIGHT</i>
15	545519	COUNTER SUPPORT ASSY LH
	<i>Includes</i>	<i>HINGE COUNTER SUPPORT NUOVA</i>
	<i>Includes 546694</i>	<i>SCREW MC M5X8 PAN PH MS NP</i>
	<i>Includes</i>	<i>BRACKET COUNTER SUPPORT LEFT</i>
NI	546696P	SCREW ST 8X12MM TAB MTS (PKT 10)
16	545455P	INSULATOR UPRIGHT TO FRAME (PKT 10)
17	545867	WASHER FIBRE BEZEL
18	545832	BEZEL DOOR SENSOR
NI	546683P	NUT M8 HEX 10AF FS MS ZPNL (PKT10)
19	545612	PLATE HEAT DEFLECTOR FAN
20	545845	BUFFER DOOR SENSOR
21	546266	SWITCH LOCK (UL/VDE)

Continued next page

CAVITY & COMPONENTS

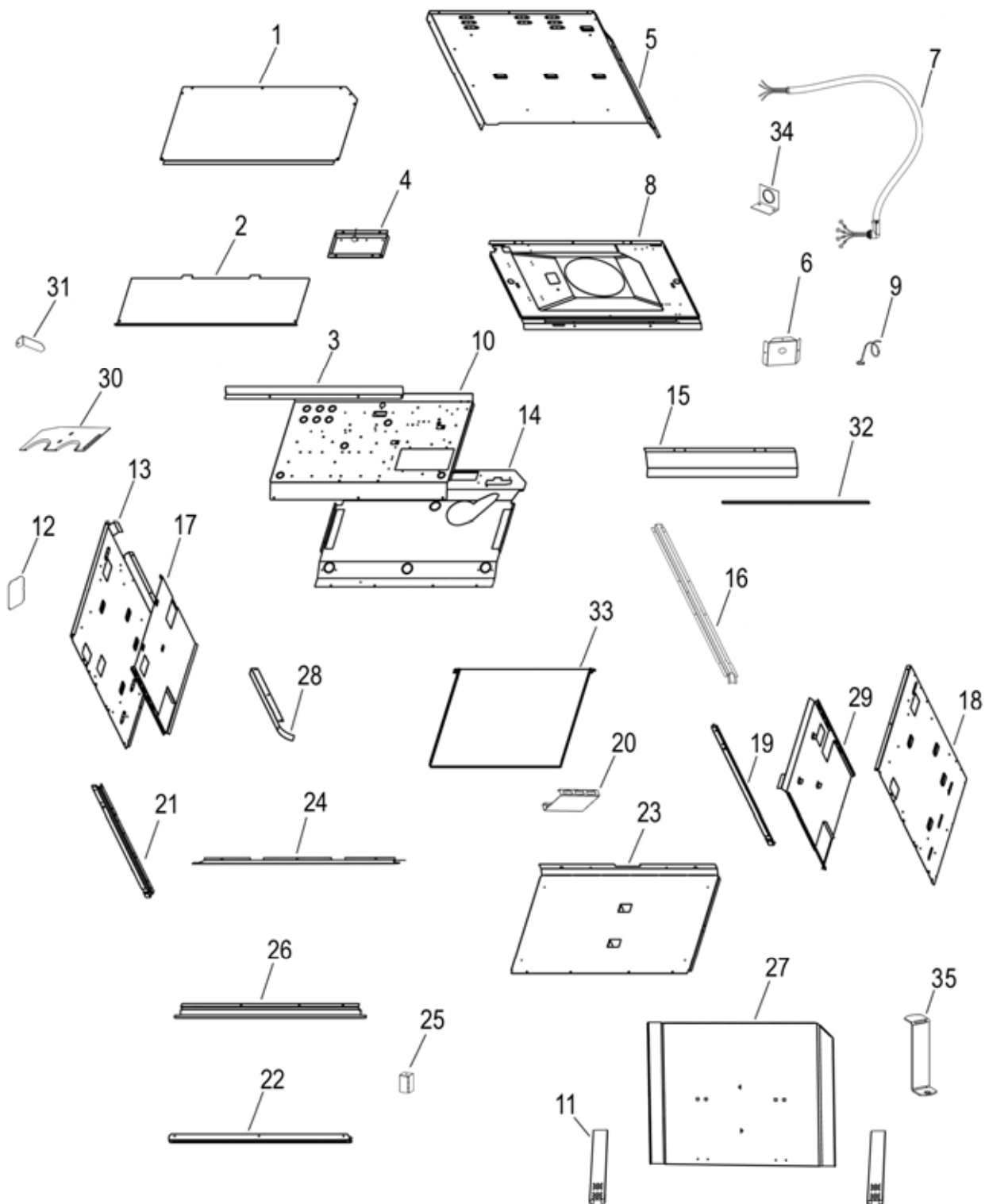


DWG001293

CAVITY & COMPONENTS

REF	PART	DESCRIPTION
22	546776	KIT LOCK ASSY UPPER
	<i>Includes</i>	LOCK ASSY DOOR
	<i>Includes 546867</i>	HARNESS ISO SWITCH LTR UPR
23	546722	TONGUE LIMITER UPPER
24	540789	CLIP DOUBLE LIMITER CAMPINI
25	546719	LIMITER THERMAL NON RESET 140
26	542732P	SCREW WS 8X1 TWINFEST CSKPZ BK (PKT 10) (CABINET SCREW)
27	546774	NUT FLANGE SERRATED M5
NI	545995	KIT ASSTD FASTENERS 545 LOCK
	<i>Includes</i>	WASHER 4.0 10.0 0.4 RED FIBRE
	<i>Includes</i>	RETAINING RING E 2-3 (3)
	<i>Includes</i>	PIN LINKAGE (2)
	<i>Includes</i>	SPACER SWITCH LOCK (4)
	<i>Includes</i>	SPRING DOOR SENSOR
	<i>Includes</i>	NUT M3 HEX HS MS NIPL (4)
	<i>Includes</i>	SCREW M3X20 PH PAN NIPL (4)
	<i>Includes</i>	WASHER LOCK 3MM INT SERR ST ZP (4)

CHASSIS ASSEMBLY



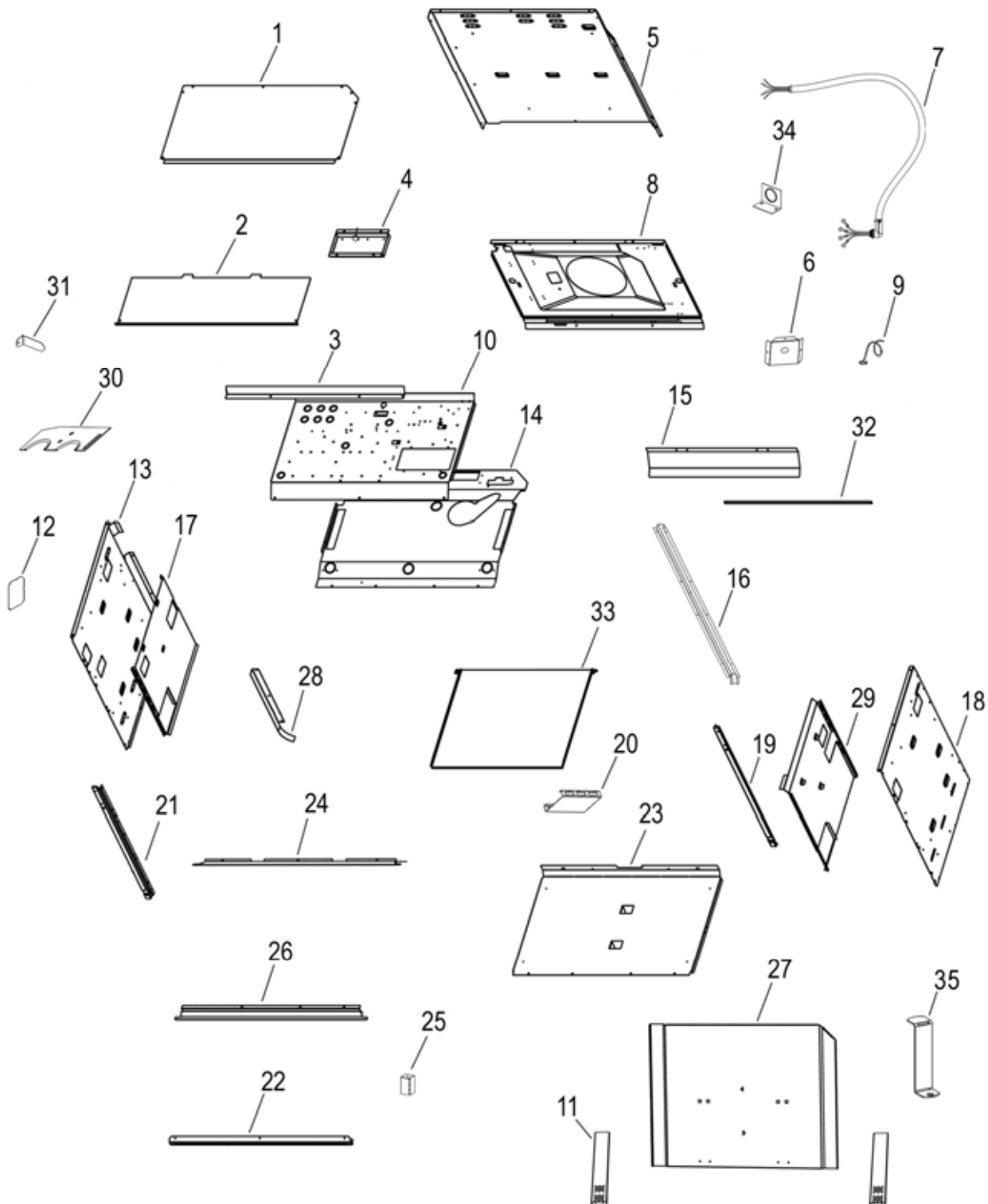
DWG001295

CHASSIS ASSEMBLY

REF	PART	DESCRIPTION
1	546255P	PANEL TOP
2	547300	PANEL TOP SERVICE 303
NI	556009P	SCREW ST 8X3/8 TAB MSH PH NP (PKT 10)
3	545680	COVER LIGHT BLACK
NI	556620P	SCREW ST 8X10 TAB MTS PH BLACK (PKT 10)
4	545662	PANEL MOUNTING TRANSFORMER
5	545992P	PANEL REAR OD301 V2
6	545365	PANEL CABLE CONNECTOR
NI	556009P	SCREW ST 8X3/8 TAB MSH PH NP (PKT 10)
7	545350	CABLE POWER ASSY RANGE US
8	545626	PANEL INSULATION REAR
NI	556009P	SCREW ST 8X3/8 TAB MSH PH NP (PKT 10)
9	545874	WIRE STANDOFF COIL
10	547167	DUCT COOLING INLET 303
11	547179	CHANNEL VENT REINFORCING BLACK
NI	556620P	SCREW ST 8X10 TAB MTS BK (PKT 10)
12	545661	PANEL SERVICE SWITCH
13	545983P	PANEL SIDE LH OS
NI	556009P	SCREW ST 8X3/8 TAB MSH PH (PKT 10)
14	545273	DUCT COOLING INLET BASE
15	545548	PANEL FLOW GUIDE
16	545752	EXHAUST DUCT SINGLE
NI	556009P	SCREW ST 8X3/8 TAB MSH PH (PKT 10)
17	545362	DUCT SIDE LH
18	545984P	PANEL SIDE RH OS
NI	556009P	SCREW ST 8X3/8 TAB MSH PH (PKT 10)
19	545558	UPRIGHT OS 301 RH BLACK V2
20	545370	PANEL HINGE COVER
21	545557	UPRIGHT OS 301 LH BLACK V2
22	545481	COVER DUCT BLACK
NI	556620P	SCREW ST 8X10 TAB MTS PH BLACK (PKT 10)
23	545989	DUCT COOLING OUTLET
24	547178	VENT OUTLET BOTTOM SHORT BLACK
NI	546696P	SCREW ST 8X12MM TAB MTS (PKT 10)
25	545563	FOOT SUPPORT
26	545478	VENT OUTLET TOP BLACK
27	547152	PANEL BASE 303
NI	556009P	SCREW ST 8X3/8 TAB MSH PH NP (PKT 10)
28	546253	RETAINER INSUL SIDE VENT
29	546180	DUCT SIDE RH
30	545823	PANEL COVER WIRING
31	545880	BRACKET CONTROL PANEL
32	545973	FOAM STRIP EPDM 3X580X10S
33	545061	TRAY LOWER ELEMENT

Continued next page

CHASSIS ASSEMBLY

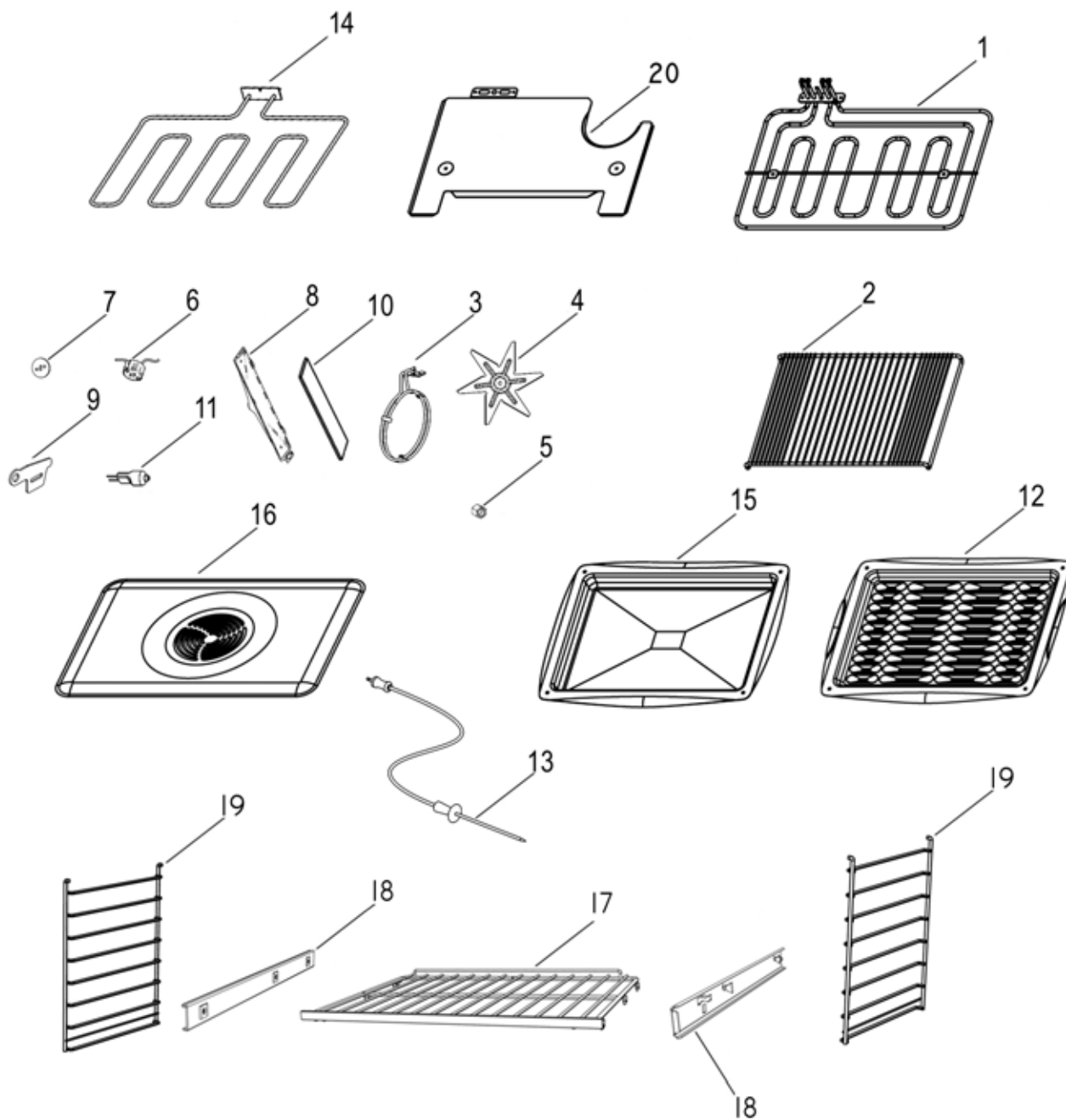


DWG001295

CHASSIS ASSEMBLY

REF	PART	DESCRIPTION
34	546593	PLATE CABLE ENTRY
35	546549	BRACKET SUPPORT TOP
NI	542776P	SCREW MC M6X25 HEX MS NP (PKT 10) (EARTH POST)
NI	556157P	NUT M6 HEX HS MS NIPL (PKT 10) (EARTH POST)
NI	556510P	WASHER LOCK 6MM INT SERR ST BU (PKT 10) (EARTH POST)
NI	542794P	WASHER SPRING 6MM ST ZNPL (PKT 10) (EARTH POST)

ELEMENTS & ACCESSORIES



ELEMENTS & ACCESSORIES

REF	PART	DESCRIPTION
1	547141	ELEMENT GRILL 4400W
NI	556009P	SCREW ST8X3/8 TAB MSH PH NP (PKT 10)
2	541817	RACK GRILL INSERT BI602 PLATED
3	546726	ELEMENT FAN EGO 20.40474.000
NI	556009P	SCREW ST 8X3/8 TAB MSH PH (PKT 10)
4	545610	FAN BLADE SS EBM
5	545611	LOCKNUT FAN SS EBM
6	546179	HOLDER BULB G4 T250 – US
7	546183	INSULATOR LAMP HOLDER
8	546260P	LAMP BODY HALOGEN ASSY
	<i>Includes</i>	<i>LAMP BODY HALOGEN</i>
	<i>Includes 545728</i>	<i>CLIP LAMP GLASS</i>
	<i>Includes</i>	<i>RIVET CCP 1/8 4-3 SS</i>
NI	556623P	SCREW MC M3X10 PAN PH MS NIPL (PKT 10)
9	545728	CLIP LAMP GLASS
10	545212	GLASS LAMP HALOGEN
11	545204	LAMP HALOGEN 20W
12	547085	GRID BROILER 30IN GPHT
13	545429	PROBE MEAT OD/OS
14	546727	ELEMENT BASE EGO 20.40476.000
15	547084	PAN BROILER 30IN GPHT
16	547160	SHROUD FAN OD/OS303 ENAM GPHT
NI	556009P	SCREW ST 8X3/8 TAB MSH PH (PKT 10)
17	547232	ASSY SHELF BAR
18	547233	KIT SLIDES LH RH
	<i>Includes</i>	<i>SLIDE RH 303 ASSY</i>
	<i>Includes</i>	<i>SLIDE LH 303 ASSY</i>
19	546957	WIRE RUNNER 303 ASSY
20	545996P	REFLECTOR GRILL ELEMENT
NI	599438	BOOK USER GUIDE 303 DCS US
NI	599557	SHEET SET INSTAL WO DCS US
NI	545455P	INSULATOR UPRIGHT TO FRAME (PKT 10) (CABINET SPACER)
NI	542732P	SCREW WS 8X1 TWINFST BK (PKT 10) (CABINET SCREW)