



DishDrawer[®]

Parts List



MODEL
DD224P5 SS DCS US

PRODUCT CODE
88479-A

PRODUCT

Brand	DCS
Voltage	110V 60Hz
Model	DD224P5 SS DCS US
Product Code	88479-A

Fisher & Paykel Appliances
5900 Skylab Road
Huntington Beach
CA 92647
Telephone: 888 936 7872

COPYRIGHT © FISHER & PAYKEL LTD 2007 - ALL RIGHTS RESERVED

CONTENTS

FRONT PANELS/CONTROLS.....	6
CABINET.....	8
LID & LINK ASSEMBLY.....	12
TUBS & COMPONENTS.....	14
BASKETS & RACKS.....	18
INSTALLATION COMPONENTS.....	20

GUIDE TO USING THIS MANUAL

The model covered by this manual is listed on the front cover.

The information detailed in this manual is subject to change without notice. The latest version is indicated by the reprint date and replaces any earlier editions.

The front cover picture shows the type of product and may not necessarily be an exact image of the model covered by the manual.

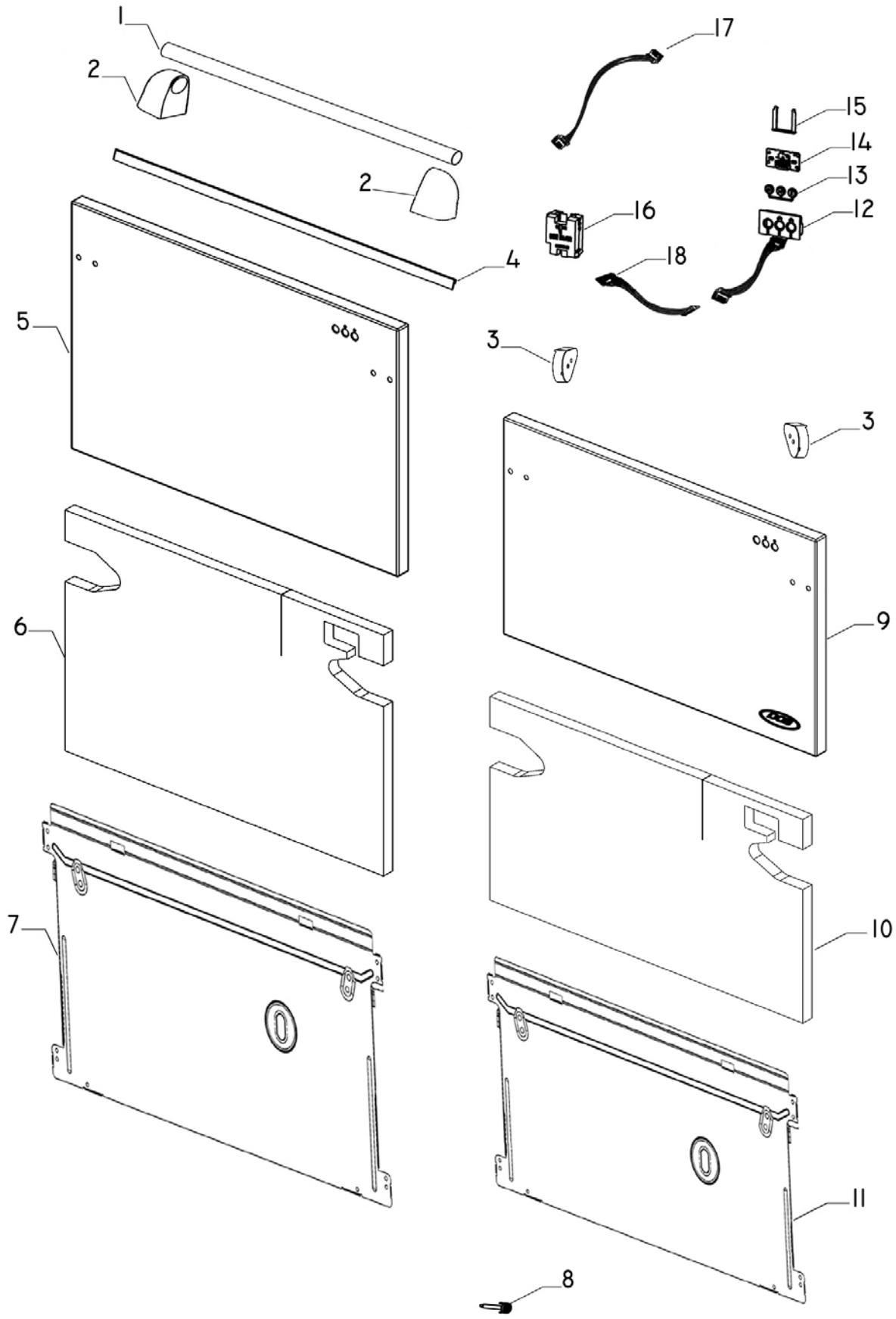
Kit Parts

The components shown in *italics with a part number* are those parts in the kit which are available also as separate items. In addition, some parts may be supplied with this kit which are not available as separate items and are therefore either not listed or a part number is not shown against the part description in this manual.

Parts List Key

NOT USED	As a part, indicates the diagram part reference is not used in this manual.
<i>italics</i>	Kit components or parts included are shown in <i>italics</i> . Refer to above notes: Kit Parts
NI	As a part reference, indicates the part is not illustrated on the diagram.

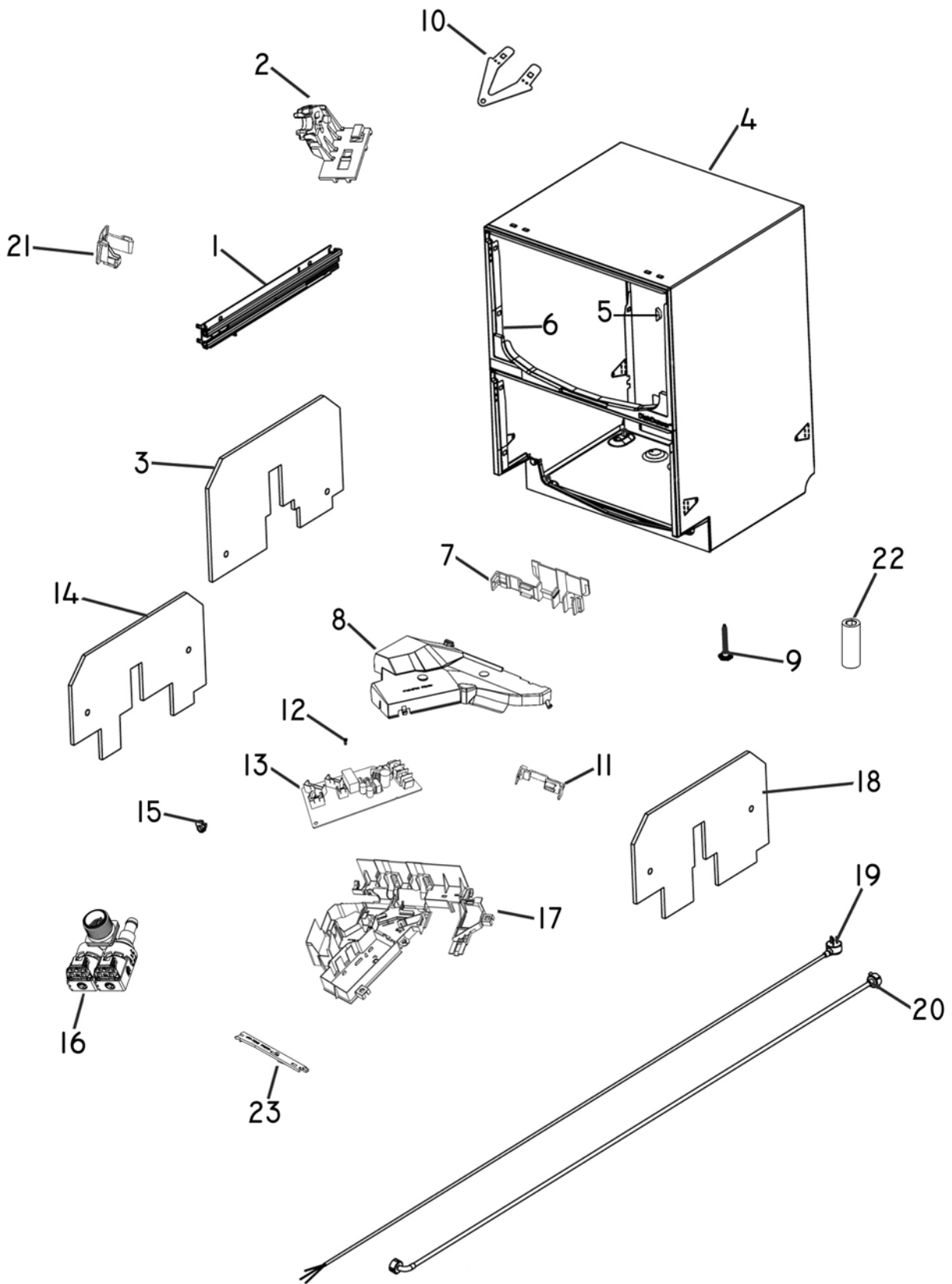
FRONT PANELS/CONTROLS



FRONT PANELS/CONTROLS

REF	PART	DESCRIPTION
1	522159	DOOR HANDLE DCS PRO 605
2	528818	ENDCAP HANDLE DCS
NI	522308P	CAPSCREW MC 1/4UNCX1 1/4 (PKT10)
NI	556500P	WASHER 1/4 9/16 16BG (PKT10)
3	522042	SUPPORT HANDLE DD605 DCS
NI	556154P	SCREW RA6102 HANDLE (PKT 10)
4	527504	SEAL INTEGRATED DOOR
5	529866	DOOR DOUBLE UPR ASSY DCS DD605
	<i>Includes 528073</i>	<i>HOUSING ASSY BADGE DESIGNER</i>
	<i>Includes</i>	<i>HOUSING BADGE DESIGNER</i>
	<i>Includes</i>	<i>LIGHT PIPES BADGE DESIGNER</i>
	<i>Includes</i>	<i>TAPE BADGE DESIGNER</i>
	<i>Includes</i>	<i>DOOR CONTROL SHIELD DCS</i>
	<i>Includes 528220</i>	<i>BADGE DCS BY FP</i>
	<i>Includes 528254P</i>	<i>CLIP STARLOCK (PKT 10)</i>
NI	546692P	SCREW ST 8X12MM TAB MTS PH NP (PKT 10)
6	522168	INFILL DOOR 605 DCS UPPER
7	528123	PANEL REAR 605 TOP
8	525010	PIN DOOR
9	529865	DOOR DOUBLE LWR ASSY DCS DD605
	<i>Includes 528073</i>	<i>HOUSING ASSY BADGE DESIGNER</i>
	<i>Includes</i>	<i>HOUSING BADGE DESIGNER</i>
	<i>Includes</i>	<i>LIGHT PIPES BADGE DESIGNER</i>
	<i>Includes</i>	<i>TAPE BADGE DESIGNER</i>
	<i>Includes</i>	<i>DOOR CONTROL SHIELD DCS</i>
	<i>Includes 528220</i>	<i>BADGE DCS BY FP</i>
	<i>Includes 528254P</i>	<i>CLIP STARLOCK (PKT 10)</i>
10	522169	INFILL DOOR 605 DCS LOWER
11	528179	PANEL REAR 605 USA
12	528251P	BADGE ASSY DCS DOOR
	<i>Includes 528073</i>	<i>HOUSING ASSY BADGE DESIGNER</i>
	<i>Includes</i>	<i>HOUSING BADGE DESIGNER</i>
	<i>Includes</i>	<i>LIGHT PIPES BADGE DESIGNER</i>
	<i>Includes</i>	<i>TAPE BADGE DESIGNER</i>
	<i>Includes 527429</i>	<i>BUTTONS BADGE DESIGNER</i>
	<i>Includes 528762P</i>	<i>DESIGNER BADGE PCB ASSY ROHS</i>
	<i>Includes 527691</i>	<i>LOCKBAR BADGE DESIGNER SERIES</i>
		<i>HARNESS BADGE DCS</i>
13	527429	BUTTONS BADGE DESIGNER
14	528762P	DESIGNER BADGE PCB ASSY ROHS
15	527691	LOCKBAR BADGE DESIGNER SERIES
16	527785NP	BADGE ISOLATOR VERSION 2
17	529854	HARNESS BADGE ISOLATOR PH5
18	527606	HARNESS BADGE JST TUB END

CABINET

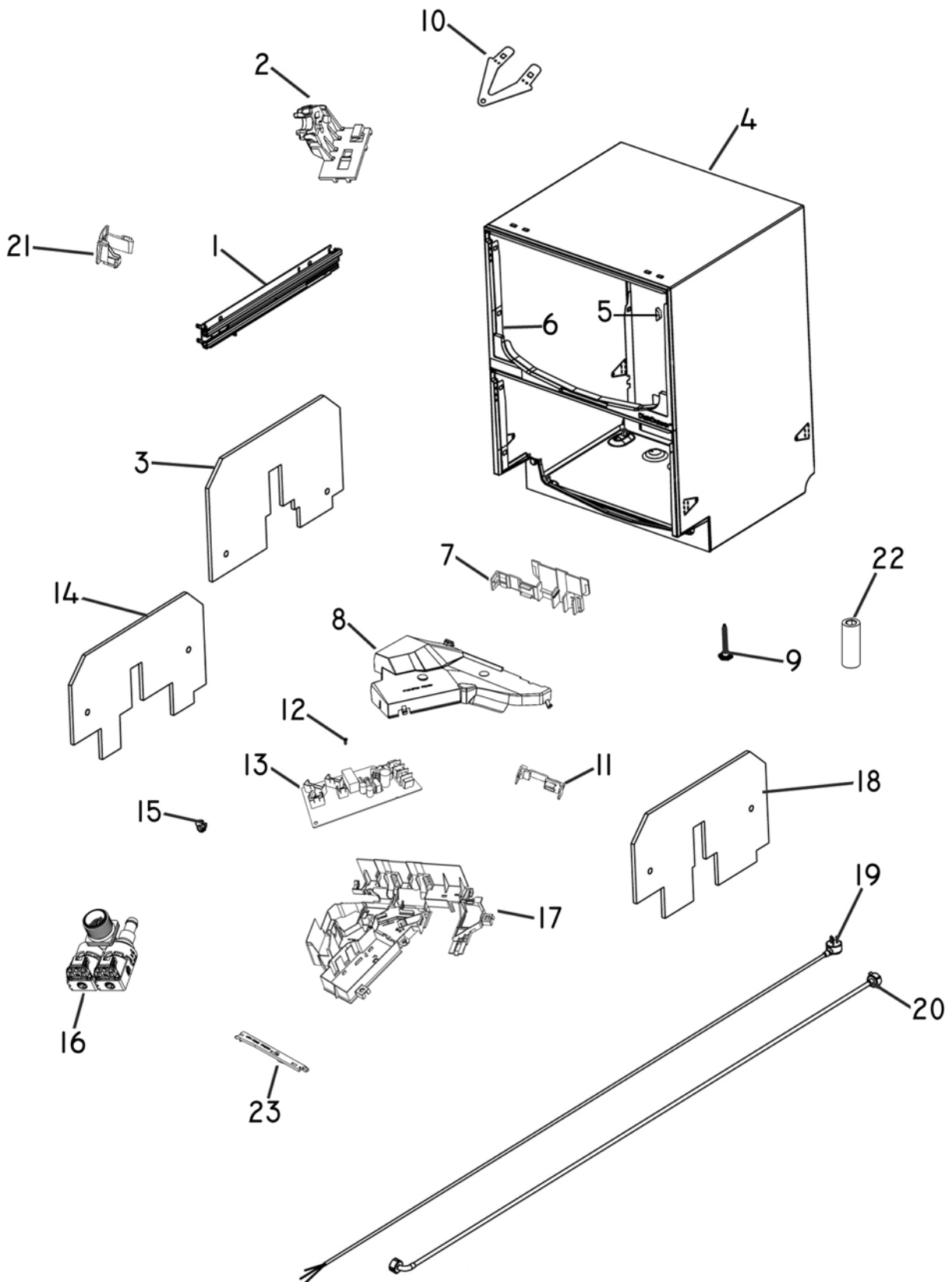


CABINET

REF	PART	DESCRIPTION
1	529090	SLIDE & BRACKET ASSY LH WASHED
	529091	SLIDE & BRACKET ASSY RH WASHED
NI	556607P	SCREW MC M5X10 TAPTITE (PKT 10)
2	526128	LATCH ASSY RH
	526130	LATCH ASSY LH
3	528821	INSUL CHASSIS TOP AUTEX
4	522080	KIT REPLACE CHASSIS DBL 605
	<i>Includes 525968</i>	<i>MOUNT LINK TOP</i>
	<i>Includes</i>	<i>CHASSIS DOUBLE ASSY GALV</i>
	<i>Includes</i>	<i>INSTR SHT CHASSIS REPLACE PH3</i>
	<i>Includes 526797</i>	<i>TAB TOP (2)</i>
	<i>Includes 527881</i>	<i>TRIM UPPER COMOULD</i>
	<i>Includes 527884</i>	<i>TRIM LOWER COMOULD</i>
	<i>Includes 528277</i>	<i>PRISM TUB HOME 605 (2)</i>
	<i>Includes 528941</i>	<i>FOOT (4)</i>
5	528277	PRISM TUB HOME 605
6	522083	KIT TRIMSEAL CHARCOAL DD605
	<i>Includes</i>	<i>TRIM UPPER COMOULD</i>
	<i>Includes</i>	<i>TRIM LOWER COMOULD</i>
	<i>Includes 528277</i>	<i>PRISM TUB HOME 605 (2)</i>
7	525968	MOUNT LINK TOP
8	527732	COVER MAINS FILTER
9	528941	FOOT
10	526797	TAB TOP
11	526250	RETAINER LINK
12	556082P	SCREW ST M4X12 XTITE HXW (PKT 10)
13	527788P	PCB MAINS FILTER 110V DBL (SP)
14	528820	INSUL CHASSIS BOT LEFT AUTEX
15	525466	CLAMP HOSE HERBIE TYPE E
16	529730	VALVE INLET DOUBLE 605
17	522143	KIT HOUSING MAINS FILTER ASSY 605
	<i>Includes</i>	<i>HOUSING MAINS FILTER 605</i>
	<i>Includes 527727</i>	<i>GROMMET 605 CHASSIS MODULE</i>
	<i>Includes 526250</i>	<i>RETAINER LINK (2)</i>
NI	528783P	SCREW ST M3.5X25 PLASTITE (PKT10)
18	528819	INSUL CHASSIS BOT RIGHT AUTEX
19	529695	FLEX MAINS 605 US
NI	572638	SADDLE TERMINATION STRIP
NI	556607P	SCREW MC M5X10 TAPTITE (PKT 10)
20	525970	HOSE INLET WIRSBO US

Continued next page

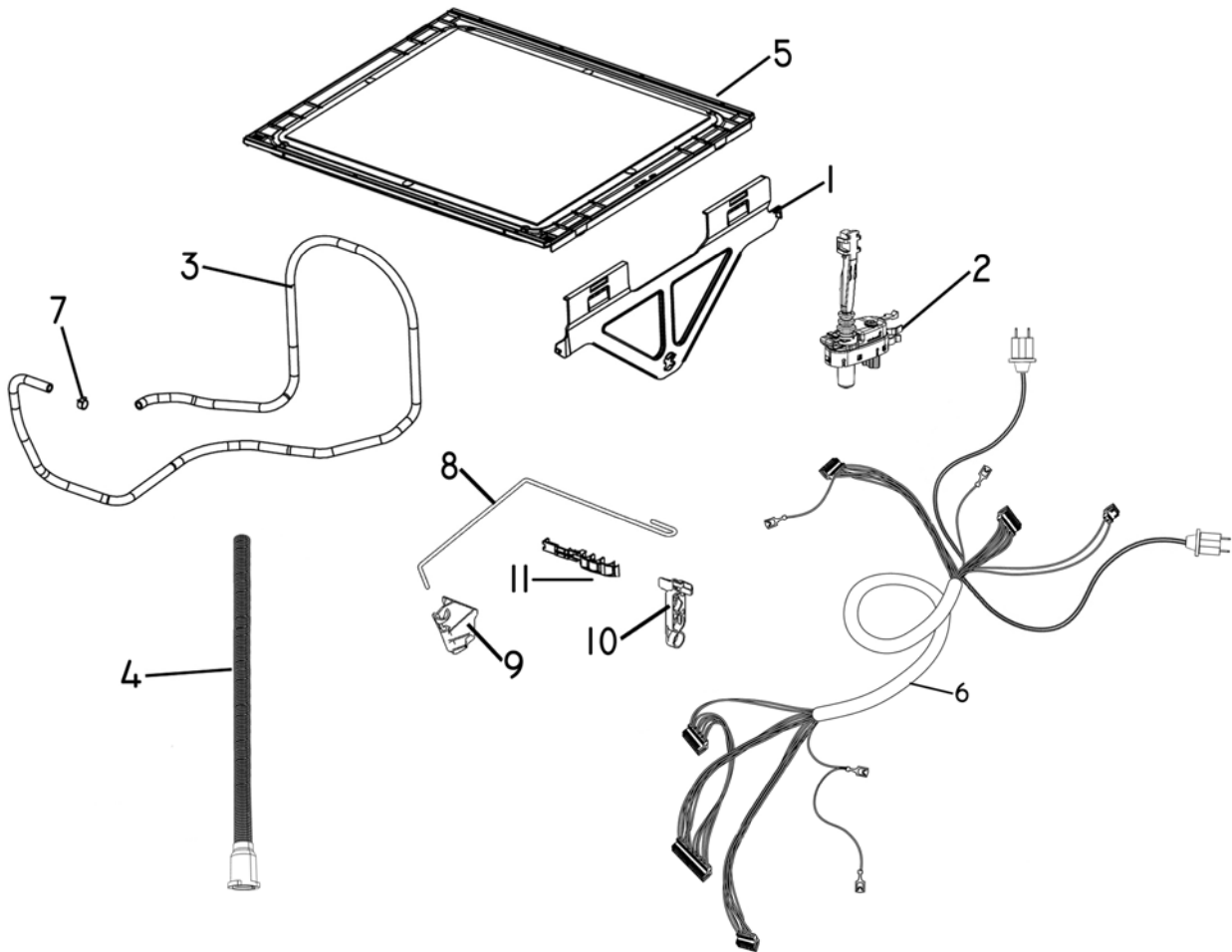
CABINET



CABINET

REF	PART	DESCRIPTION
NI	525938P	WASHER WIRSBO US (PKT 10)
NI	526161	ADAPTOR HOSE INLET US
21	525971	CLIP TUB RELEASE RH
	525972	CLIP TUB RELEASE LH
22	522158	KIT FOOT TOOLS 605
	<i>Includes</i>	<i>FOOT TOOL 605</i>
	<i>Includes</i>	<i>FOOT TOOL 45MM 605</i>
23	527727	GROMMET 605 CHASSIS MODULE

LID & LINK ASSEMBLY

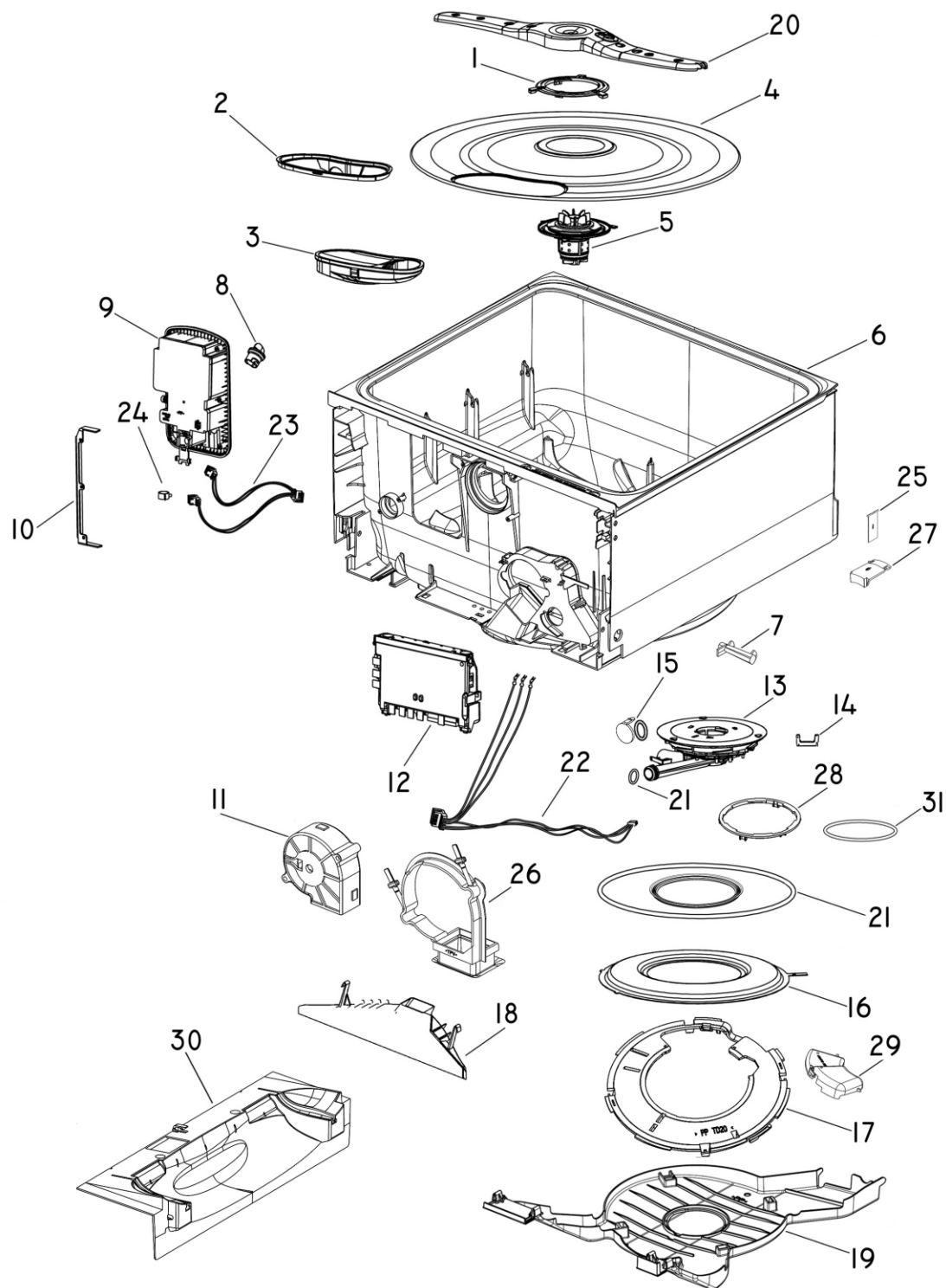


DWG001182

LID & LINK ASSEMBLY

REF	PART	DESCRIPTION
1	526186	YOKE LID RIGHT
	526260	YOKE LID LEFT
2	522085	KIT LID ACTUATORS 605 (PKT 2)
3	526837	HOSE FILL LOWER
	526836	HOSE FILL UPPER
4	522086	KIT DRAIN HOSE 605
	<i>Includes</i>	<i>O RING CUFF SOCKET UL REC</i>
	<i>Includes</i>	<i>HOSE DRAIN UPPER ASSY 605</i>
	<i>Includes</i>	<i>FLAP VALVE DRAIN 605</i>
NI	525798	KIT DRAIN HOSE EXTENSION 3.6M
	<i>Includes</i>	<i>DRAIN HOSE EXTENSION (x 2)</i>
	<i>Includes 525482</i>	<i>CLIP WIRE DRAIN (x 4)</i>
	<i>Includes</i>	<i>DRAIN HOSE JOINER (x 2)</i>
NI	527394	KIT DRAIN HOSE JOINER
	<i>Includes 525482</i>	<i>CLIP WIRE DRAIN (x 2)</i>
	<i>Includes</i>	<i>DRAIN HOSE JOINER</i>
5	526732P	LID ASSY PH3
6	528501	HARNESS CHASSIS LOWER 605
	528502	HARNESS CHASSIS UPPER 605
7	528674	CLAMP HOSE TYPE 12232-17-GT
8	528095	ROD LINK SUPPORT
9	528101	BRACKET LINK SUPPORT
10	528162	CLIP LINK SUPPORT
11	528537P	CLIP LINK TUB SIDE (PKT 10)

TUBS & COMPONENTS



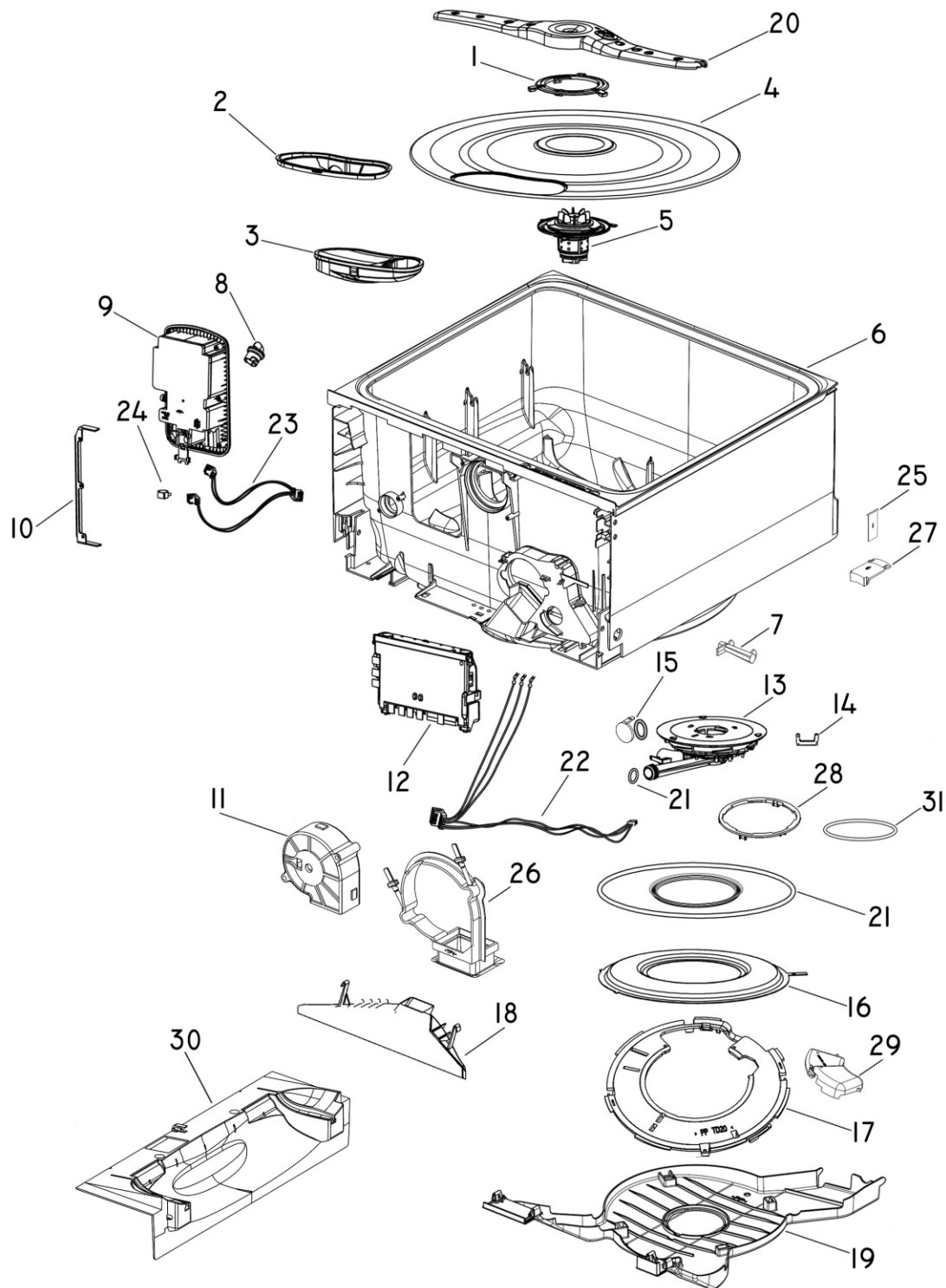
DWG001196

TUBS & COMPONENTS

REF	PART	DESCRIPTION
1	526069	LOCK NUT FILTER PLATE
2	529818	TRIM DRAIN FILTER 605
3	529824	DRAIN FILTER ASSY 6MM 605
4	529822P	FILTER PLATE ASSY 316 605 SP
	<i>Includes</i>	<i>FILTER PLATE 316</i>
	<i>Includes 526069</i>	<i>LOCK NUT FILTER PLATE</i>
	<i>Includes 529818</i>	<i>TRIM DRAIN FILTER 605</i>
5	528136P	MOTOR ROTOR ASSY 605 SP
6	528531	TUB W/ASSY 605 NZ
7	528276	LIGHT PIPE TUB HOME 605
8	527694	BUNG ASSY DISPENSER RINSE AID
9	526860	KIT DISPENSER
	<i>Includes</i>	<i>DISPENSER DISHDRAWER</i>
	<i>Includes 526789</i>	<i>BRACKET DISPENSER SHORT (x 2)</i>
NI	556155P	SCREW M3.5X14 PANTX K35 (PKT10)
10	526789	BRACKET DISPENSER SHORT
11	522006	HARNESS & FAN ASSY
12	528356USP	CONTROLLER PH5 110V US
NI	527273	PANEL CONTROLLER
13	522088	KIT MOTOR ASSY PH5
	<i>Includes</i>	<i>MOTOR ASSY COMP PH5</i>
	<i>Includes 525058</i>	<i>SEAL HEATER PLATE/TUB</i>
	<i>Includes 525940</i>	<i>O RING CUFF SOCKET UL REC</i>
	<i>Includes 529168</i>	<i>O RING 208 DRAIN INLET</i>
	<i>Includes 529169</i>	<i>SEAL ELEMENT INNER 605</i>
	<i>Includes 529194</i>	<i>FLAP VALVE DRAIN 605</i>
	<i>Includes 522154</i>	<i>SHIM MOTOR ASSY 605</i>
	<i>Includes</i>	<i>INSTRUCTIONS SHIM MOTOR ASSY</i>
14	528785P	HALL SENSOR PCB ASSY 605 ROHS
15	522150	KIT FLAP VALVE/O RING 605 (PKT 2)
	<i>Includes</i>	<i>FLAP VALVE DRAIN 605 (2)</i>
	<i>Includes</i>	<i>O RING CUFF SOCKET UL REC (2)</i>
16	522091	KIT HEATER PLATE 605 110V NZ
	<i>Includes</i>	<i>HEATER PLATE 605 110V NZ</i>
	<i>Includes 525058</i>	<i>SEAL HEATER PLATE/TUB</i>
	<i>Includes 525940</i>	<i>O RING CUFF SOCKET UL REC</i>
	<i>Includes 529168</i>	<i>O RING 208 DRAIN INLET</i>
	<i>Includes 529169</i>	<i>SEAL ELEMENT INNER 605</i>
	<i>Includes 529194</i>	<i>FLAP VALVE DRAIN 605</i>
	<i>Includes 522154</i>	<i>SHIM MOTOR ASSY 605</i>
	<i>Includes</i>	<i>INSTRUCTIONS SHIM MOTOR ASSY</i>
17	529151	LOCKNUT OUTER 605
18	529144	DUCT TOP WELDED 605
19	529152	COVER WIRING CO-MOULD 605

Continued next page

TUBS & COMPONENTS

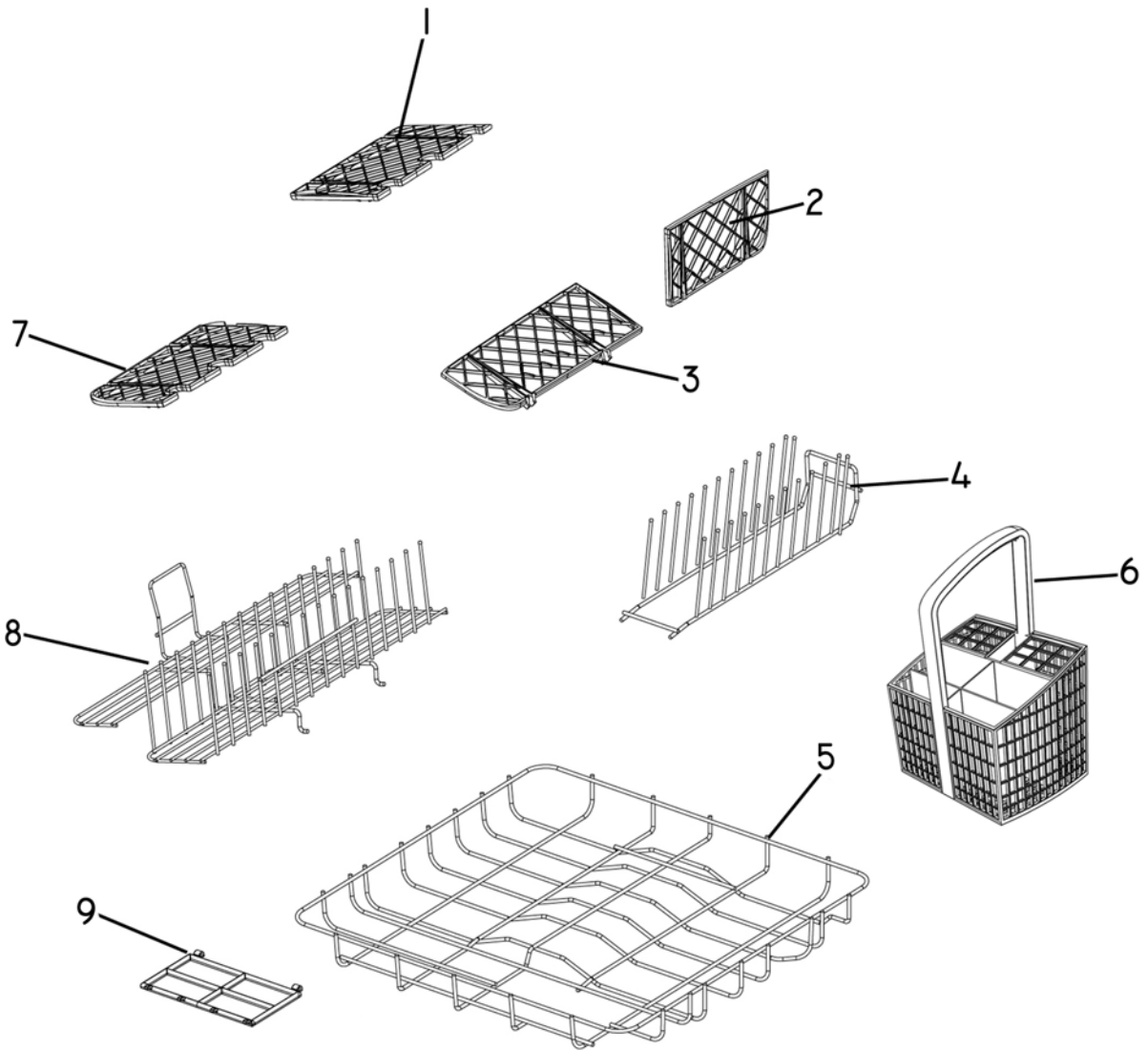


DWG001196

TUBS & COMPONENTS

REF	PART	DESCRIPTION
20	527475	SPRAY ARM ASSY SLUICING 03 18H
21	522089	KIT SEAL WASH 605
	<i>Includes 525058</i>	<i>SEAL HEATER PLATE/TUB</i>
	<i>Includes 525940</i>	<i>O RING CUFF SOCKET UL REC</i>
	<i>Includes 529168</i>	<i>O RING 208 DRAIN INLET</i>
	<i>Includes 529169</i>	<i>SEAL ELEMENT INNER 605</i>
	<i>Includes 529194</i>	<i>FLAP VALVE DRAIN 605</i>
	<i>Includes 522154</i>	<i>SHIM MOTOR ASSY 605</i>
	<i>Includes</i>	<i>INSTRUCTIONS SHIM MOTOR ASSY</i>
22	529683	HARNESS MOTOR PH5
23	526263	HARNESS DISPENSER PH3
24	528674	CLAMP HOSE TYPE 12232-17-GT
25	528063	FLAP VALVE FAN HOUSING 605
26	529039	ISOLATION DRYING FAN 605
27	528064	RETAINER FLAP FAN HOUSING 605
28	522163	KIT LOCKNUT INNER
	<i>Includes</i>	<i>LOCK NUT INNER 605</i>
	<i>Includes 522154</i>	<i>SHIM MOTOR ASSY 605</i>
	<i>Includes</i>	<i>INSTRUCTIONS SHIM MOTOR ASSY</i>
29	529157	COVER CONNECTOR ELEMENT 605
30	522160	COWLING ASSY 605
31	522154P	SHIM MOTOR ASSY 605

BASKETS & RACKS

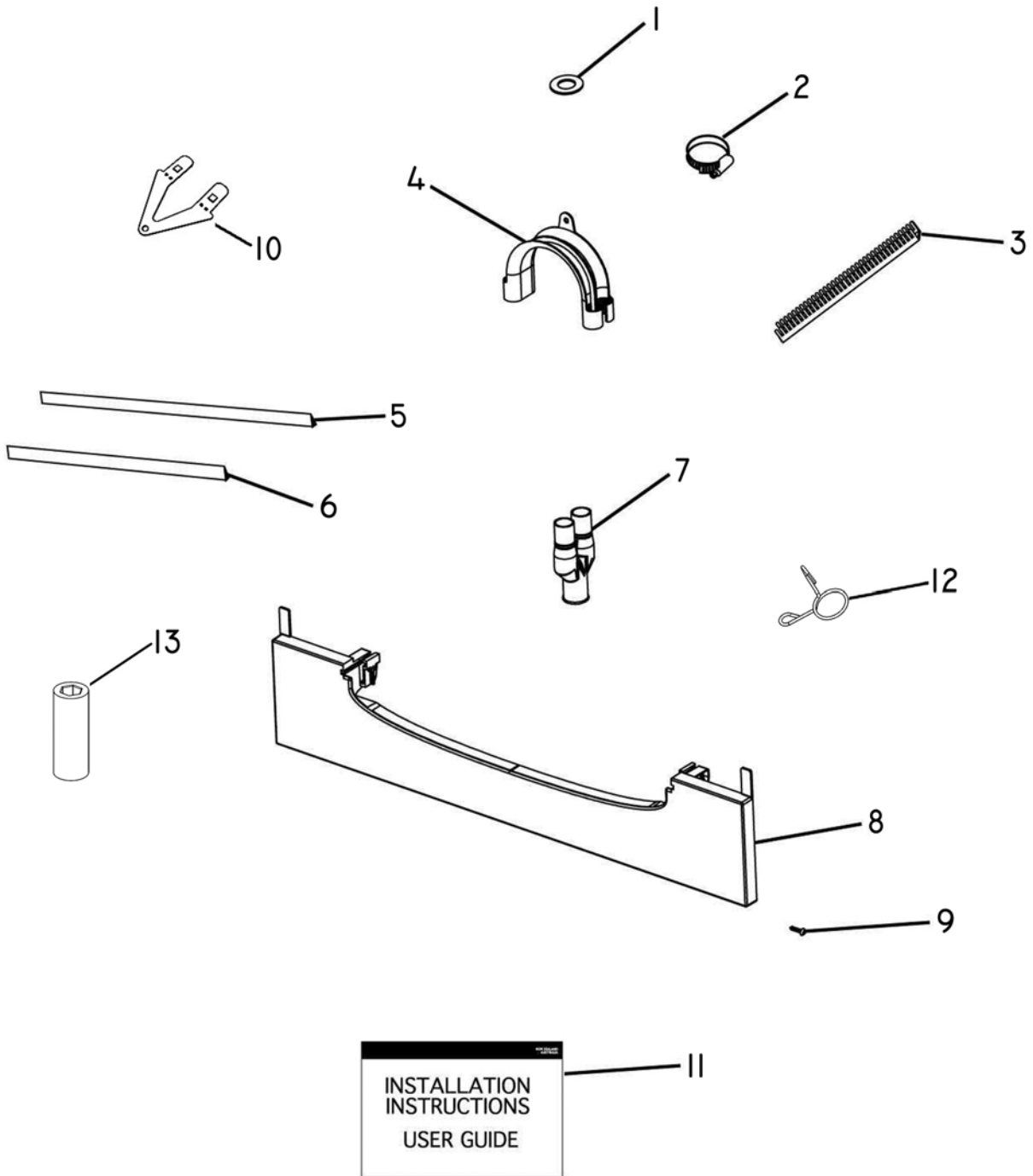


DWG001185

BASKETS & RACKS

REF	PART	DESCRIPTION
1	526374	CUP RACK BACK LEFT
2	526377	CUP RACK BACK RIGHT
3	526376	CUP RACK FRONT RIGHT
4	526092	INSERT CROCKERY US SILVER
	525581	INSERT CROCKERY 12 INCH SILVER
5	526062	BASKET SILVER
6	527585	CUTLERY BASKET ASSY
7	526375	CUP RACK FRONT LEFT
8	526346	UNI INSERT SILVER
9	526345	TRAP DOOR DRAIN FILTER ACCESS

INSTALLATION COMPONENTS



INSTALLATION COMPONENTS

REF	PART	DESCRIPTION
1	525938P	WASHER WIRSBO US (PKT 10)
2	528111	CLAMP HOSE DIA 32-14
3	525935	EDGE 160MM 22PKG020 UHMWPE US
4	525477F	SUPPORT DRAIN HOSE
5	526771	TRIM CAVITY SIDE DBL CHARCL US
6	526773	TRIM CAVITY TOP CHARCL US
7	529872	DRAIN HOSE JOINER DBL US
8	527109	KIT KICKSTRIP SILVER US
9	528782P	SCREW WS 8X5/8TWINFST ZP (PKT 10)
10	526797	TAB TOP
11	529571	BOOKSET USER/INSTAL 605 DCS US
	<i>Includes</i>	<i>BOOK USER GUIDE DD/DS605 DCS US</i>
	<i>Includes</i>	<i>BOOK INSTAL DD605 DS605 DCS US</i>
12	525482P	CLIP WIRE DRAIN (PKT 2)
13	522158	KIT FOOT TOOLS 605
	<i>Includes</i>	<i>FOOT TOOL 605</i>
	<i>Includes</i>	<i>FOOT TOOL 45MM 605</i>
NI	526676	KIT INSTALL DOUBLE/SINGLE DD605 US
	<i>Includes 525477</i>	<i>SUPPORT DRAIN HOSE</i>
	<i>Includes 525482</i>	<i>CLIP WIRE DRAIN (2)</i>
	<i>Includes 529872</i>	<i>DRAIN HOSE JOINER DBL US</i>
	<i>Includes 529075</i>	<i>DRAIN HOSE JOINER SGL US</i>
	<i>Includes 525938</i>	<i>WASHER WIRSBO US</i>
	<i>Includes 528690</i>	<i>CLAMP HOSE DIA 32-14</i>
	<i>Includes</i>	<i>SCREW WS 8X5/8 TWIN FAST (7)</i>
	<i>Includes 525935</i>	<i>EDGE 160MM 22PKG020 UHMWPE US</i>
	<i>Includes 526797</i>	<i>TAB TOP (2)</i>
	<i>Includes 526771</i>	<i>TRIM CHASSIS LID STRIP</i>
	<i>Includes 526772</i>	<i>TRIM CAVITY SIDE SGL CHARCL US</i>
	<i>Includes 526773</i>	<i>TRIM CAVITY TOP CHARCOAL US</i>
	<i>Includes</i>	<i>FOOT TOOL 605</i>
	<i>Includes</i>	<i>FOOT TOOL 45MM 605</i>
NI	527228	KIT TAPE UNDERBENCH
NI	542061	BOOK SERVICE & WARRANTY
NI	479314	CARD REGISTRATION ALL PRODUCT
NI	526857	CARTON SLEEVE DD REPACK