



MICROWAVE OVEN BUILT-IN TRIM KIT INSTALLATION INSTRUCTIONS

MICROWAVE OVEN SAFETY

Your safety and the safety of others are very important.

We have provided many important safety messages in this manual and on your appliance. Always read and obey all safety messages.



This is the safety alert symbol.

This symbol alerts you to potential hazards that can kill or hurt you and others.

All safety messages will follow the safety alert symbol and either the word "DANGER" or "WARNING." These words mean:

! DANGER

You can be killed or seriously injured if you don't immediately follow instructions.

! WARNING

You can be killed or seriously injured if you don't follow instructions.

All safety messages will tell you what the potential hazard is, tell you how to reduce the chance of injury, and tell you what can happen if the instructions are not followed.

INSTALLATION INSTRUCTIONS

Tools Needed

Check that you have everything necessary for correct installation.

- Gloves
- Safety glasses
- Measuring tape
- Pencil
- Scissors
- Flat-blade screwdriver
- Stud finder (optional)

Parts Supplied

- Upper trim piece (1)
- Lower trim piece (1)
- 4 mm x 16 mm tapping screws (4)
- 4 mm x 8 mm tapping screws (7)

Check local codes. Check existing electrical supply. See "Electrical Requirements."

All electrical connections should be made by a licensed, qualified electrical installer.

IMPORTANT: Save Installation Instructions for local electrical inspector's use.

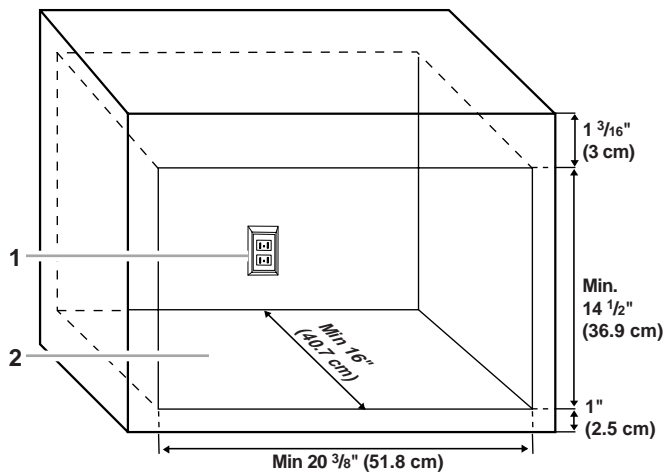
Location Requirements

NOTE: Do not locate microwave oven within 2 ft (61 cm) of any gas or electric range, cooktop or oven.

Check the location where the microwave oven will be installed. The location must provide the following:

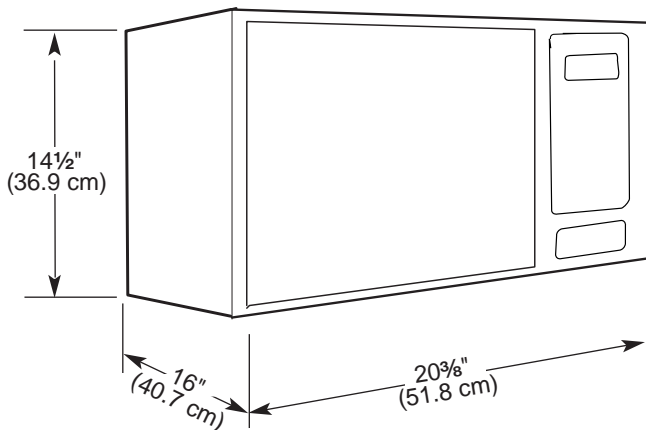
- 20 $\frac{3}{8}$ in. x 14 $\frac{1}{2}$ in. x 16 in. (51.8 cm x 36.9 cm x 40.7 cm) wood cabinet or shelf with a solid plywood bottom
- Support for weight of 100 lbs. (45.4 kg).
- 20 $\frac{3}{8}$ in. (51.8 cm) wide minimum opening
- 16 in. (40.7 cm) minimum depth
- Temperature above 50°F (10°C) for proper operation
- Grounded electrical outlet (see “Electrical Requirements” section) on rear wall of cabinet enclosure

NOTE: There must be at least one wall stud within cabinet opening.



1. Location of grounded outlet
2. Opening in cabinet

Product Dimensions



Electrical Requirements

! WARNING



Electrical Shock Hazard

Plug into a grounded 3 prong outlet.

Do not remove ground prong.

Do not use an adapter.

Do not use an extension cord.

Failure to follow these instructions can result in death, fire, or electrical shock.

Observe all governing codes and ordinances. A 120-Volt, 60-Hz, AC-only, 15- or 20-amp fused electrical supply is required. (A time-delay fuse is recommended.) It is recommended that a separate circuit serving only this appliance be provided.

GROUNDING INSTRUCTIONS

■ **For all cord connected appliances:**

The microwave oven must be grounded. In the event of an electrical short circuit, grounding reduces the risk of electric shock by providing an escape wire for the electric current. The microwave oven is equipped with a cord having a grounding wire with a grounding plug. The plug must be plugged into an outlet that is properly installed and grounded.

WARNING: Improper use of the grounding plug can result in a risk of electric shock. Consult a qualified electrician or serviceman if the grounding instructions are not completely understood, or if doubt exists as to whether the microwave oven is properly grounded.

Do not use an extension cord. If the power supply cord is too short, have a qualified electrician or serviceman install an outlet near the microwave oven.

■ **For a permanently connected appliance:**

This appliance must be connected to a grounded, metallic, permanent wiring system, or an equipment grounding conductor should be run with the circuit conductors and connected to the equipment grounding terminal or lead on the appliance.

SAVE THESE INSTRUCTIONS

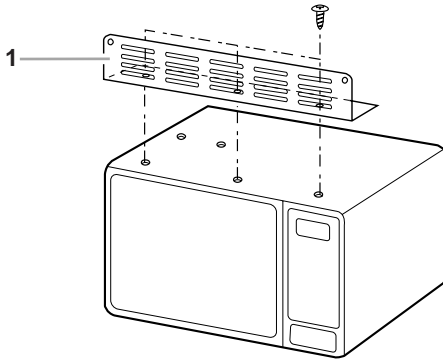
Unpacking

1. Empty the microwave oven of any packing materials.
2. Clean the inside with a soft, damp cloth.
3. Check for damage, such as:
 - a door that is not lined up correctly
 - damage around the door, or
 - dents on the interior or exterior of the oven.

If there is any damage, do not operate the oven until a designated service technician has checked it and made any needed repairs.

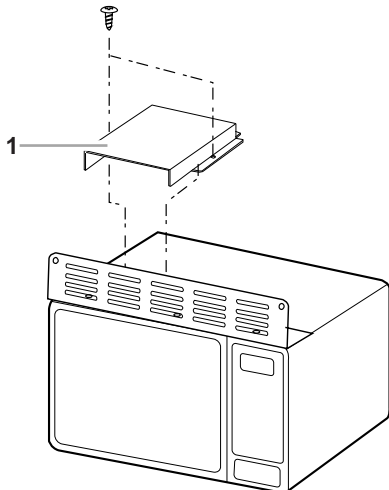
Installing the Trim Kit

1. Install the upper trim piece using 3-8 mm tapping screws (provided).



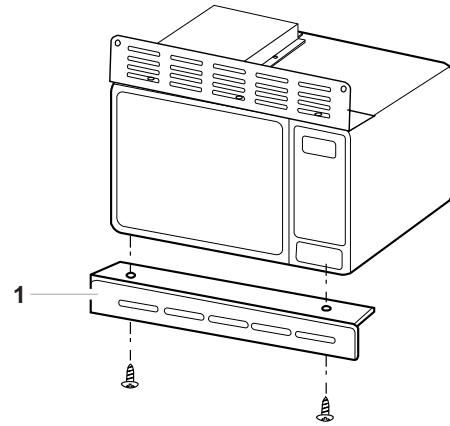
1. Upper trim piece

2. Attach the duct with 2-8 mm screws.



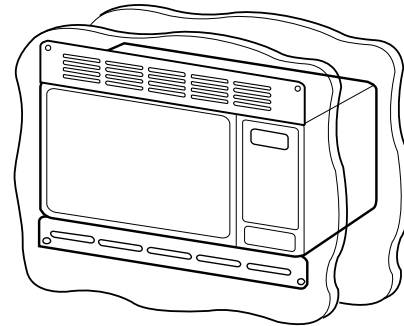
1. Duct

3. Remove 2 screws from the front of the base plate. Mount the lower trim on the base plate using 2-8 mm screws.

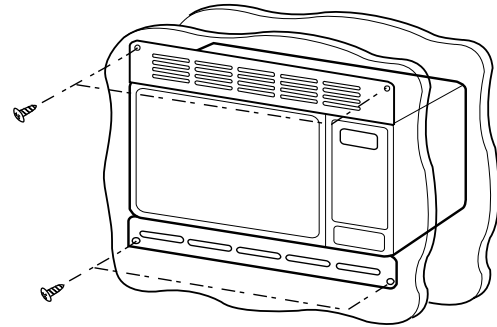


1. Lower trim piece attached to base plate

4. Install microwave oven in cabinet enclosure.



5. Attach the upper trim piece to the cabinet with 2-16 mm screws.
6. Attach the lower trim piece to the cabinet with 2-16 mm screws.



7. Plug in microwave oven.

