

PARTS LIST

for

KitchenAid®

12 CUP – FOOD PROCESSOR

CHEF'S BASIC – AUSTRALIAN

MODEL:

5KFPCB700AWH0 (White)



FOR CUSTOMER SATISFACTION ALWAYS USE
FACTORY SPECIFICATION PARTS

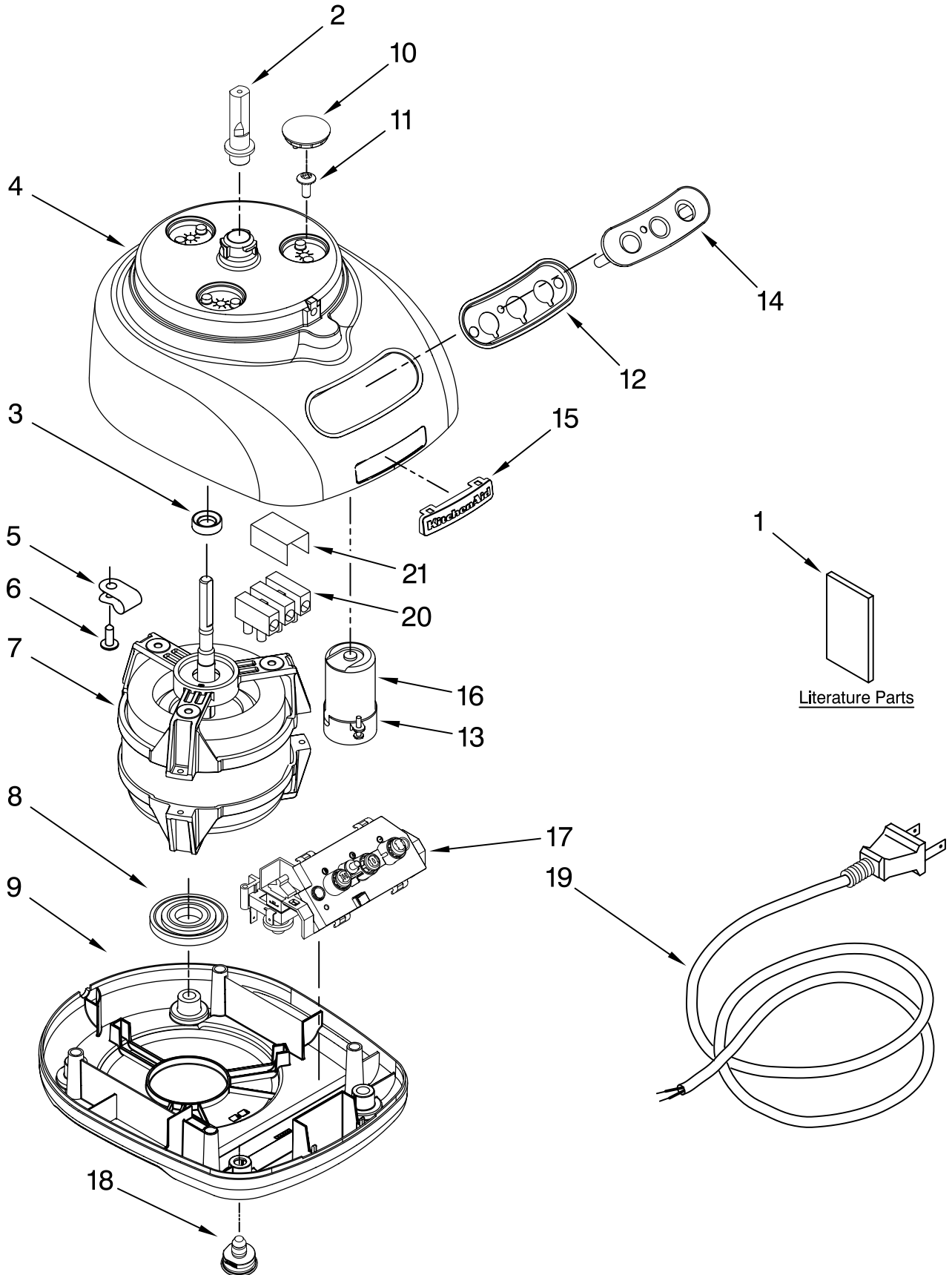


KITCHENAID

ST. JOSEPH MICHIGAN 49085

MOTOR AND HOUSING PARTS

For Model: 5KFPCB700A_0



FOR ORDERING INFORMATION REFER TO PARTS PRICE LIST

MOTOR AND HOUSING PARTS

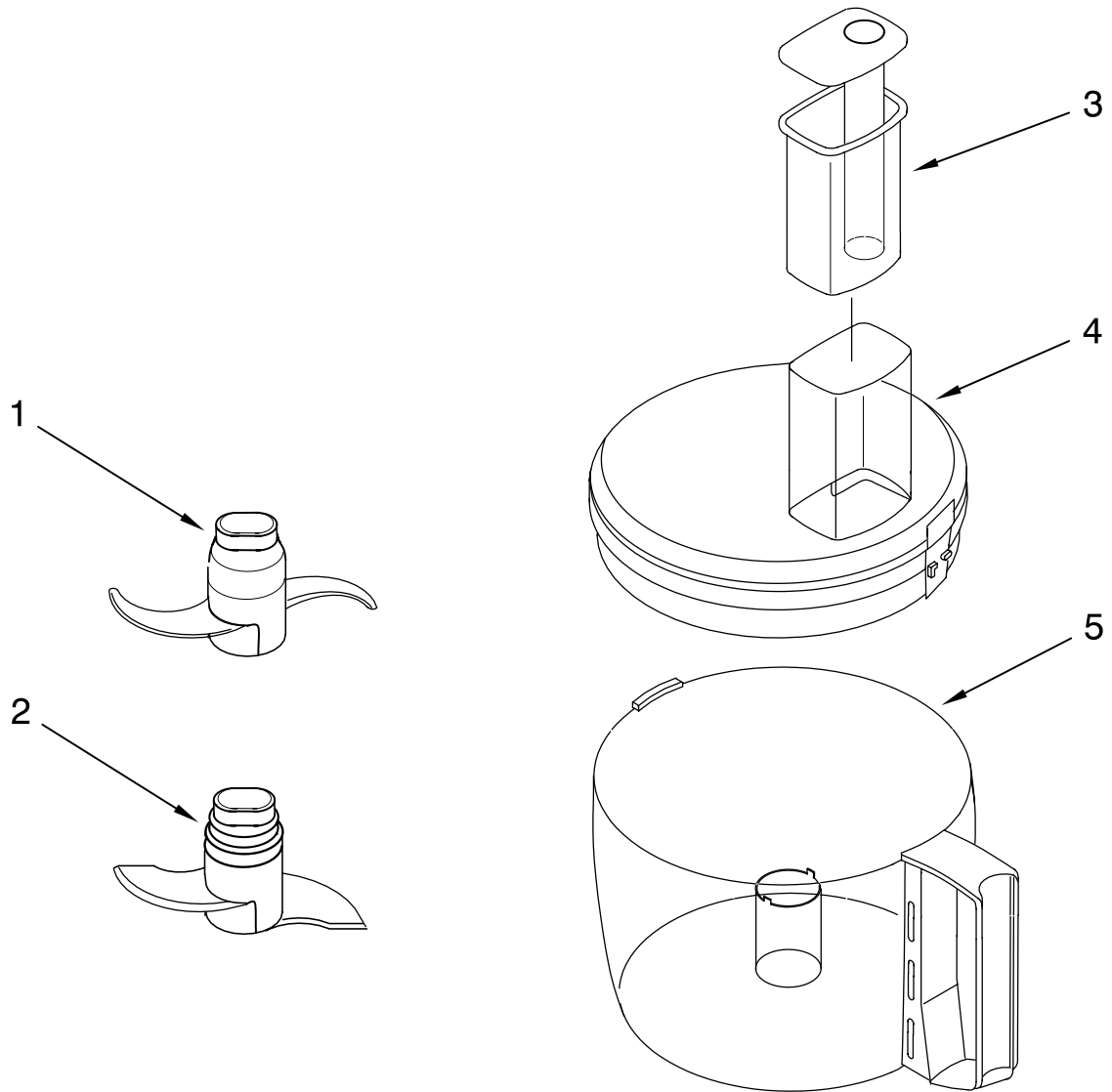
For Model: 5KFPCB700A__0

Illus.	Part	
No.	No.	DESCRIPTION
1		Literature Parts
	W10246621	Use & Care Guide
	W10243122	Repair Parts List
2	W10187053	Sleeve, Motor Shaft
3	8211828	Seal, Oil
4	8212068	Housing, Motor
5	8211610	Clamp, Cable
6	8211835	Screw, Clamp
7	8212079	Motor
8	8212091	Grommet, Motor
9	8212081	Base, Housing
10	8212084	Cover, Screw
11	W10249231	Screw, Motor Locking
12	W10249232	Bezel, Switch Panel
13	8211607	Clip, Capacitor
14	8212088	Overlay w/Cover
15	W10249233	Nameplate
16	8212089	Capacitor
17	8212090	Relay/Switch Assy
18	8211844	Foot
19	8212072	Cord, Power
20	8211605	Block, Terminal
21	8211852	Cover, Terminal

FOR ORDERING INFORMATION REFER TO PARTS PRICE LIST

ATTACHMENT PARTS

For Model: 5KFPCB700A__0



FOR ORDERING INFORMATION REFER TO PARTS PRICE LIST

ATTACHMENT PARTS

For Model: 5KFPCB700A__0

Illus. No.	Part No.	DESCRIPTION
1	W10187050	Blade, Multi
2	W10187052	Blade, Dough
3	8212023	Pusher, Food
4	8212029	Cover, Work Bowl
5	8212065	Bowl, Work

OPTIONAL PARTS NOT ILLUSTRATED

8212034 Accessory Box
8211858 Adapter, Shaft &
Disc
8212025 Extractor, Citrus
8212033 Whip, Egg
8211927 Lid, Mini Bowl
8211926 Bowl, Mini
Disc, Slicing
8211929 2 MM
8211930 4 MM
8211931 6 mm
Disc, Shredding
8211932 2 mm
8211934 6 mm
8211933 4 MM
8211935 Disc, Julienne
8211936 Disc, Grating
Parmesan/Ice
8211937 Disc, Cutting
French Fry
8211938 Rack, Disc