

PARTS LIST

for

KitchenAid®

7-CUP FOOD PROCESSOR

MODEL:

4KFP730WH1 (White)

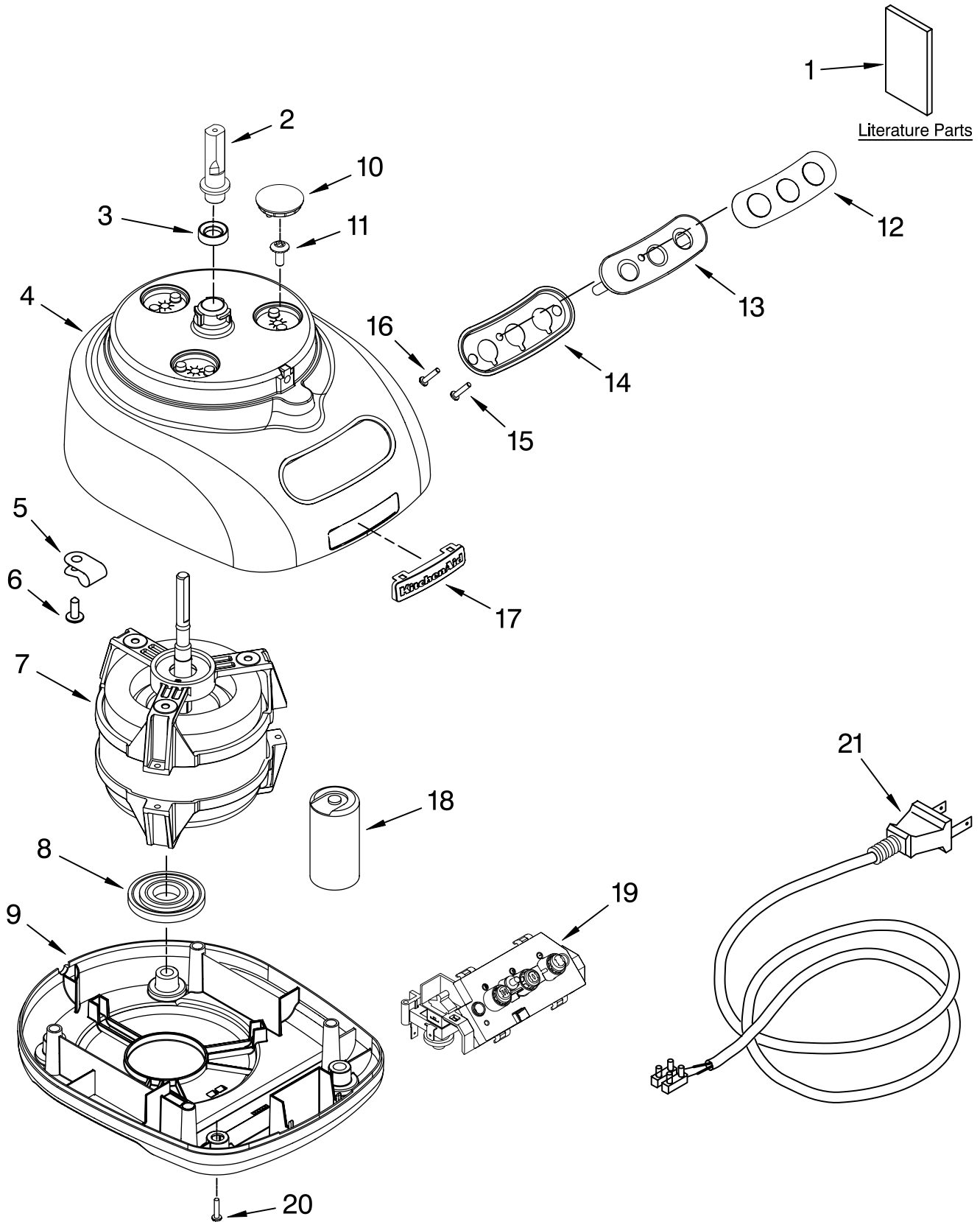


FOR CUSTOMER SATISFACTION ALWAYS USE
FACTORY SPECIFICATION PARTS



MOTOR AND HOUSING PARTS

FOR MODEL: 4KFP730_1



Literature Parts

FOR ORDERING INFORMATION REFER TO PARTS PRICE LIST

MOTOR AND HOUSING PARTS

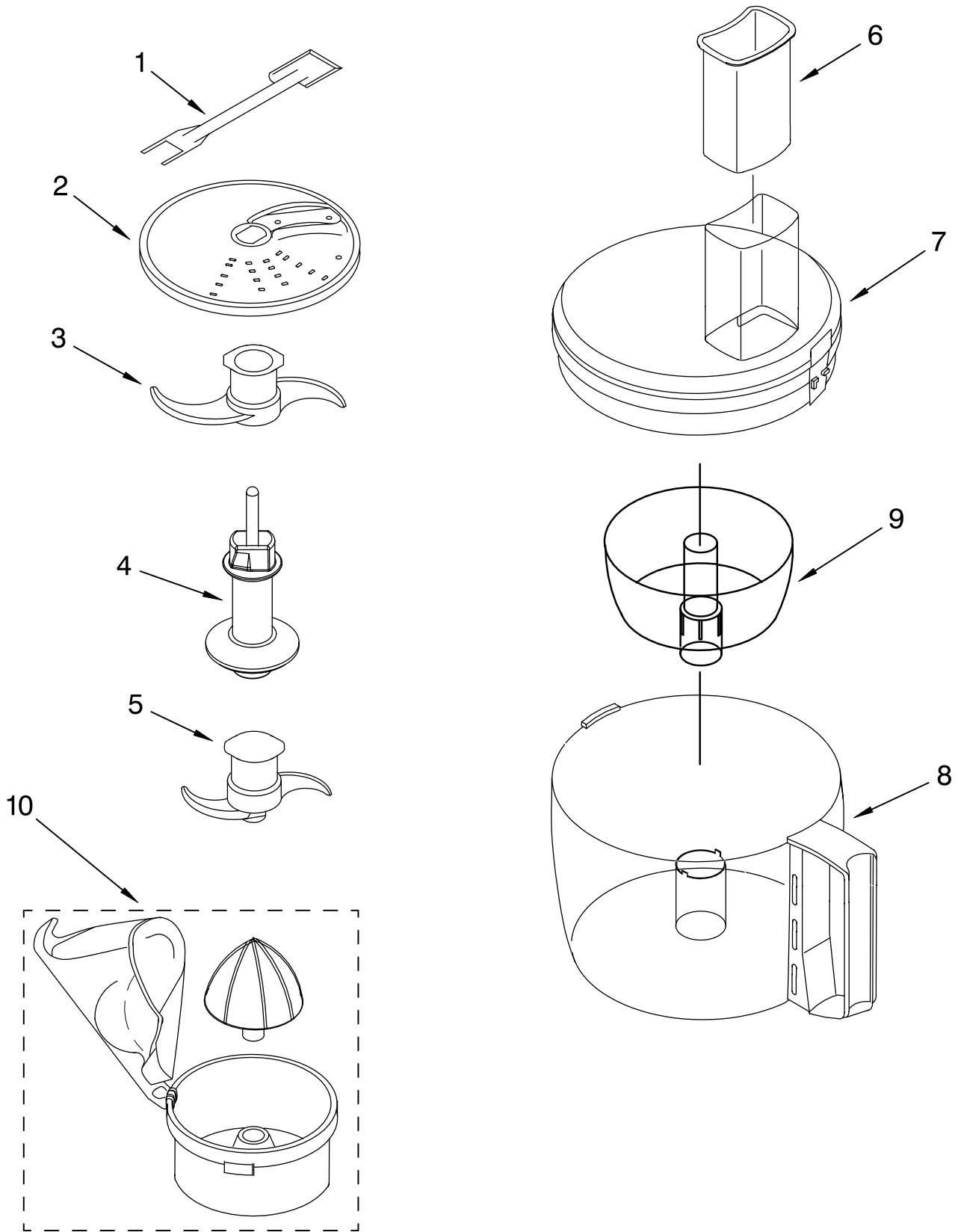
FOR MODEL: 4KFP730__1

| Illus. No. | Part No. | DESCRIPTION |
|---------------|-------------|--------------------------------|
| 1 | | Literature Parts |
| | 8212299 | Use & Care Guide Trilingual |
| | 8212418 | Repair Parts List |
| 2 | 8211816 | Sleeve, Motor Shaft |
| 3 | 8211817 | Seal, Oil |
| 4 | | Housing, Motor |
| | 8211805 | White |
| 5 | 8211610 | Clamp, Cable |
| 6 | 8211871 | Screw, Clamp |
| 7 | 8211813 | Motor |
| 8 | 8211814 | Grommet, Motor |
| 9 | | Base, Housing |
| | 8211801 | White |
| 10 | | Cover, Screw |
| | 8212298 | White |
| 11 | 8211811 | Screw, Motor Locking |
| 12 | 8211878 | Cover, Switch |
| 13 | 8211884 | Bezel, Switch Panel |
| 14 | 8211887 | Seal, Switch Panel |
| 15 | 8211870 | Screw, Torx |
| 16 | 8211812 | Screw, Switch Panel |
| 17 | 8211876 | Nameplate |
| 18 | 8211608 | Capacitor |
| 19 | 8211879 | Relay & Switch Assembly |
| 20 | 8211772 | Foot, Black |
| 21 | | Cord, Power |
| | 8211886 | White |

FOR ORDERING INFORMATION REFER TO PARTS PRICE LIST

ATTACHMENT PARTS

FOR MODEL: 4KFP730_1



FOR ORDERING INFORMATION REFER TO PARTS PRICE LIST

ATTACHMENT PARTS

FOR MODEL: 4KFP730__1

| Illus. No. | Part No. | DESCRIPTION |
|-------------------|-----------------|-----------------------------------|
| 1 | 8211760 | Spatula |
| 2 | 8211897 | Disc,Slicing 2mm & Grating 4mm |
| 3 | 8211902 | Mini Blade |
| 4 | 8211900 | Adapter, Shaft & Disc |
| 5 | 8211903 | Blade, Multi |
| 6 | 8211892 | Pusher, Food White |
| 7 | 8211891 | Cover, Work Bowl |
| 8 | 8211906 | Bowl, Work White |
| 9 | 8211905 | Bowl, Mini |
| 10 | 8212420 | Extractor, Citrus |

**OPTIONAL PARTS
NOT ILLUSTRATED**

8211896 Lid, Mini Bowl