



INSTALLATION INSTRUCTIONS

Commercial Front Load Washer

INSTRUCTIONS POUR L'INSTALLATION

Laveuse commerciale à chargement frontal

Table of Contents/Table des matières 2

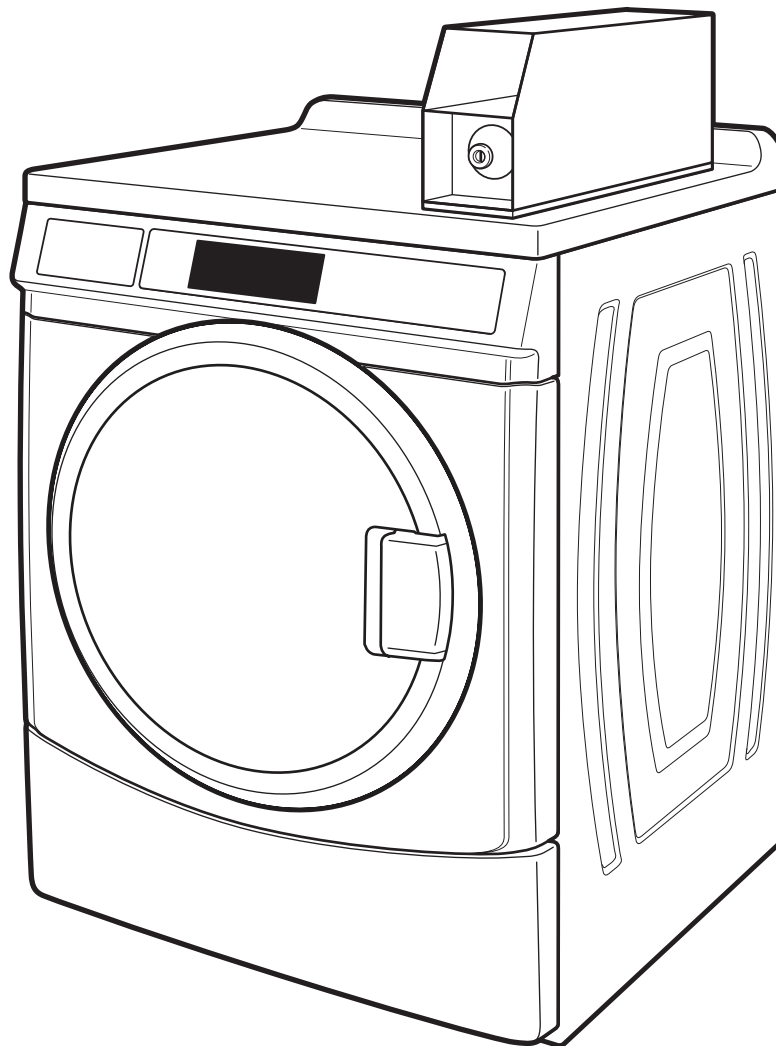


TABLE OF CONTENTS

WASHER SAFETY	2
INSTALLATION REQUIREMENTS	3
Tools and Parts.....	3
Accessories.....	4
Options.....	4
Location Requirements.....	4
Drain System.....	5
Electrical Requirements.....	5
INSTALLATION INSTRUCTIONS	6
Remove Transport System.....	6
Connect the Inlet Hoses.....	6
Route the Drain Hose.....	7
Secure the Drain Hose.....	8
Level the Washer.....	8
Installing Pad Strips.....	8
Complete Installation.....	8
USER & SET-UP INSTRUCTIONS	9
General User Information.....	9
Control Set-up Procedures.....	9
Start Operating Set-up.....	10
CLEANING YOUR WASHER	12
Water Inlet Hoses.....	13
ASSISTANCE OR SERVICE	13
WARRANTY	14

TABLE DES MATIÈRES

SÉCURITÉ DE LA LAVEUSE	15
EXIGENCES D'INSTALLATION	16
Outillage et pièces.....	16
Accessoires.....	16
Options.....	16
Exigences d'emplacement.....	17
Système de vidange.....	17
Spécifications électriques.....	18
INSTRUCTIONS D'INSTALLATION	19
Dépose du système de transport.....	19
Raccordement des tuyaux d'alimentation.....	19
Acheminement du tuyau de vidange.....	20
Immobilisation du tuyau de vidange.....	20
Réglage de l'aplomb de la laveuse.....	21
Installation des bandes de protection.....	21
Achever l'installation.....	21
INSTRUCTIONS DE CONFIGURATION	22
Informations générales pour l'utilisateur.....	22
Procédures de réglage des systèmes de commande.....	22
Paramétrage pour mise en marche.....	23
NETTOYAGE DE LA LAVEUSE	26
Tuyaux d'arrivée d'eau.....	27
ASSISTANCE OU SERVICE	27
GARANTIE	28

WASHER SAFETY

Your safety and the safety of others are very important.

We have provided many important safety messages in this manual and on your appliance. Always read and obey all safety messages.



This is the safety alert symbol.

This symbol alerts you to potential hazards that can kill or hurt you and others.

All safety messages will follow the safety alert symbol and either the word "DANGER" or "WARNING."

These words mean:

! DANGER

You can be killed or seriously injured if you don't immediately follow instructions.

! WARNING

You can be killed or seriously injured if you don't follow instructions.

All safety messages will tell you what the potential hazard is, tell you how to reduce the chance of injury, and tell you what can happen if the instructions are not followed.

IMPORTANT SAFETY INSTRUCTIONS

WARNING: To reduce the risk of fire, electric shock, or injury to persons when using the washer, follow basic precautions, including the following:

- Read all instructions before using the washer.
- Do not wash articles that have been previously cleaned in, washed in, soaked in, or spotted with gasoline, dry-cleaning solvents, other flammable, or explosive substances as they give off vapors that could ignite or explode.
- Do not add gasoline, dry-cleaning solvents, or other flammable, or explosive substances to the wash water. These substances give off vapors that could ignite or explode.
- Under certain conditions, hydrogen gas may be produced in a hot water system that has not been used for 2 weeks or more. **HYDROGEN GAS IS EXPLOSIVE.** If the hot water system has not been used for such a period, before using the washing machine, turn on all hot water faucets and let the water flow from each for several minutes. This will release any accumulated hydrogen gas. As the gas is flammable, do not smoke or use an open flame during this time.
- Do not allow children to play on or in the washer. Close supervision of children is necessary when the washer is used near children.
- Before the washer is removed from service or discarded, remove the door or lid.
- Do not reach into the washer if the drum, tub or agitator is moving.
- Do not install or store the washer where it will be exposed to the weather.
- Do not tamper with controls.
- Do not repair or replace any part of the washer or attempt any servicing unless specifically recommended in this manual or in published user-repair instructions that you understand and have the skills to carry out.
- See "Electrical Requirements" for grounding instructions.

SAVE THESE INSTRUCTIONS

INSTALLATION REQUIREMENTS

Tools and Parts

Gather the required tools and parts before starting installation. The parts supplied are in the washer drum.

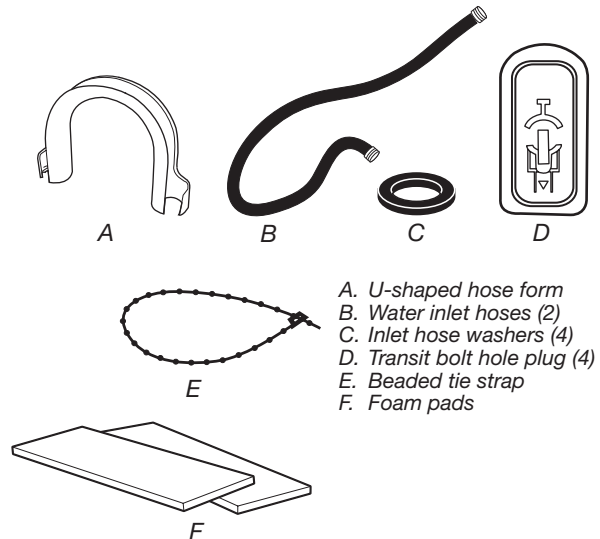
Tools needed for connecting the water inlet hoses

- Pliers (that open to 1 $\frac{1}{8}$ " [39.5 mm])
- Flashlight (optional)

Tools needed for installation

- Open end wrenches 1/2" and 9/16"
- Level
- Wood block
- Ruler or measuring tape

Parts supplied



Alternate Parts

Your installation may require additional parts. If you are interested in purchasing one of the items listed here, contact the distributor where the washer was purchased.

If you have	You will need to buy
Laundry tub or standpipe taller than 96" (2.4 m)	Sump pump system (if not already available)
Overhead sewer	Standard 20 gal. (76 L), 30" (762 mm) tall drain tub or utility sink and sump pump (available from local plumbing suppliers)
Floor drain	Siphon break, Part Number 285834; additional drain hose, Part Number 8318155; and connector kit, Part Number 285835
Drain hose too short	4 ft (1.2 m) drain hose extension kit, Part Number 285863
Water faucets beyond reach of fill hoses	2 longer water fill hoses: 6 ft (1.8 m) Part Number 76314 10 ft (3.0 m) Part Number 350008

Accessories

Enhance your washer with these premium accessories.

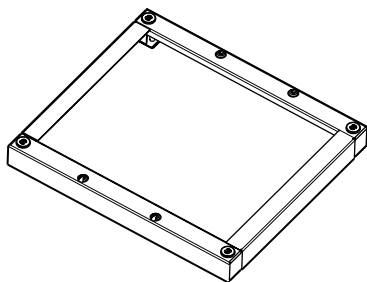
For more high-quality items or to order, call **1-800-901-2042**, or visit us at www.whirlpool.com/accessories. In Canada call: **1-800-807-6777** or visit us at www.whirlpoolparts.ca.

Part Number	Accessory
8212487RP	5 ft (1.5 m) nylon braided inlet hose (2-pack)
8212526	Washer drip tray, fits under all
31682	All purpose appliance cleaner
1903WH	Laundry supply storage cart

Options

Pedestal

You have the option of purchasing pedestals separately for this washer. The pedestal will add to the total height of the washer.



Optional pedestal

Pedestal Height	Approximate height with washer	Color	Model Number
2 ⁷ / ₈ " (73 mm)	47.5" (1207 mm)	White	WHP0400VW

Location Requirements

Selecting the proper location for your washer improves performance and minimizes noise and possible washer "walk."

Your washer can be installed under a custom counter, or in a basement, laundry room, closet, or recessed area. See "Drain System." Companion appliance location requirements should also be considered. Proper installation is your responsibility.

You will need

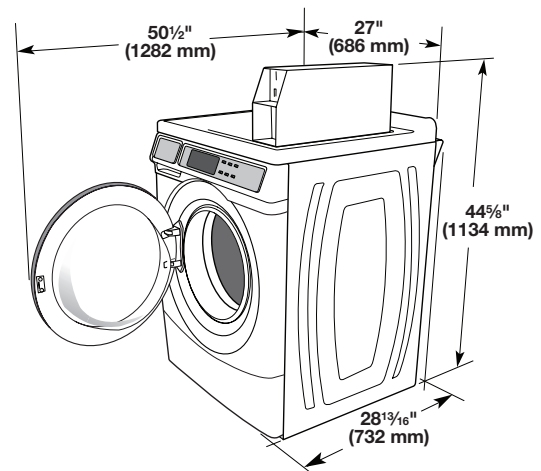
- A water heater set to deliver 120°F (49°C) water to the washer.
- A grounded electrical outlet located within 6 ft (1.8 m) of where the power cord is attached to the back of the washer. See "Electrical Requirements."
- Hot and cold water faucets located within 4 ft (1.2 m) of the hot and cold water fill valves, and water pressure of 20-100 psi (137.9-689.6 kPa).
- A level floor with a maximum slope of 1" (25 mm) under entire washer. Installing the washer on soft floor surfaces, such as carpets or surfaces with foam backing, is not recommended.
- A sturdy and solid floor to support the washer with a total weight (water and load) of 400 lbs (180 kg).

Do not operate your washer in temperatures below 32°F (0°C). Some water can remain in the washer and can cause damage in low temperatures.

Installation clearances

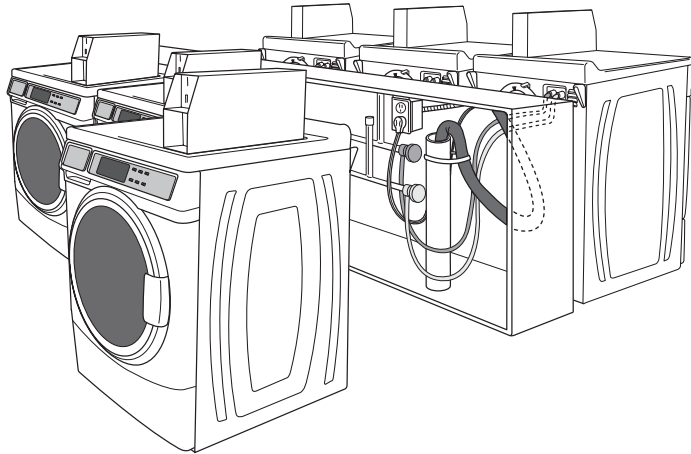
- The location must be large enough to allow the washer door to be fully opened.
- Additional spacing should be considered for ease of installation and servicing. The door opens more than 90°, and it is not reversible.
- Additional clearances might be required for wall, door, and floor moldings.
- Additional spacing of 1" (25 mm) on all sides of the washer is recommended to reduce noise transfer.
- Companion appliance spacing should also be considered.

Washer Dimensions



Door is not reversible.

A floor drain should be provided under the bulkhead. Prefabricated bulkheads with electrical outlets, water inlet lines, and drain facilities should be used only where local codes permit.



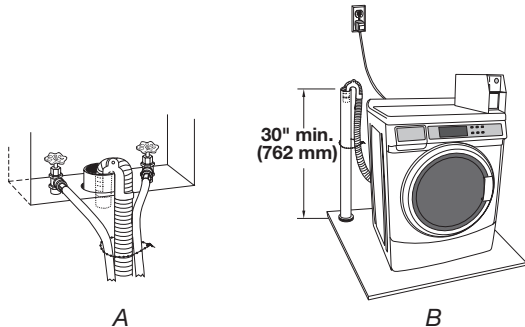
Drain System

The washer can be installed using the standpipe drain system (floor or wall), the laundry tub drain system, or the floor drain system. Select the drain hose installation method you need. See "Tools and Parts."

Standpipe drain system – wall or floor (views A & B)

The standpipe drain requires a minimum diameter standpipe of 2" (50 mm). The minimum carry-away capacity can be no less than 10 gal. (38 L) per minute.

The top of the standpipe must be at least 30" (762 mm) high and no higher than 96" (2.4 m) from the bottom of the washer.



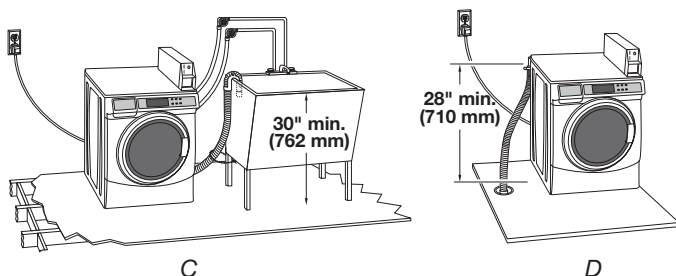
Laundry tub drain system (view C)

The laundry tub needs a minimum 20 gal. (76 L) capacity. The top of the laundry tub must be at least 30" (762 mm) above the floor.

Floor drain system (view D)

The floor drain system requires a siphon break that may be purchased separately. See "Tools and Parts."

The siphon break must be a minimum of 28" (710 mm) from the bottom of the washer. Additional hoses might be needed.



Electrical Requirements

⚠ WARNING



Electrical Shock Hazard

Plug into a grounded 3 prong outlet.

Do not remove ground prong.

Do not use an adapter.

Do not use an extension cord.

Failure to follow these instructions can result in death, fire, or electrical shock.

- A 120 volt, 60 Hz., AC only, 15- or 20-amp, fused electrical supply is required. A time-delay fuse or circuit breaker is recommended. It is recommended that a separate circuit serving only this appliance be provided.
- This washer is equipped with a power supply cord having a 3 prong grounding plug.
- To minimize possible shock hazard, the cord must be plugged into a mating, 3 prong, grounding-type outlet, grounded in accordance with local codes and ordinances. If a mating outlet is not available, it is the personal responsibility and obligation of the customer to have the properly grounded outlet installed by a qualified electrician.
- If codes permit and a separate ground wire is used, it is recommended that a qualified electrician determine that the ground path is adequate.
- Do not ground to a gas pipe.
- Check with a qualified electrician if you are not sure the washer is properly grounded.
- Do not have a fuse in the neutral or ground circuit.

GROUNDING INSTRUCTIONS

For a grounded, cord-connected washer:

This washer must be grounded. In the event of a malfunction or breakdown, grounding will reduce the risk of electrical shock by providing a path of least resistance for electric current. This washer is equipped with a cord having an equipment-grounding conductor and a grounding plug. The plug must be plugged into an appropriate outlet that is properly installed and grounded in accordance with all local codes and ordinances.

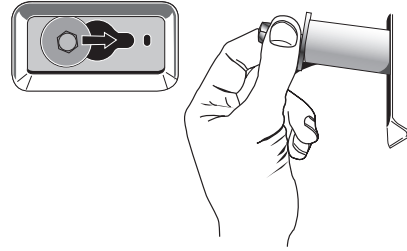
WARNING: Improper connection of the equipment-grounding conductor can result in a risk of electric shock. Check with a qualified electrician or serviceman if you are in doubt as to whether the appliance is properly grounded.

Do not modify the plug provided with the appliance – if it will not fit the outlet, have a proper outlet installed by a qualified electrician.

For a permanently connected washer:

This washer must be connected to a grounded metal, permanent wiring system, or an equipment grounding conductor must be run with the circuit conductors and connected to the equipment-grounding terminal or lead on the appliance.

1. Keep the washer in the upright position while removing the blue spacers.
2. Using a 1/2" wrench, loosen each of the bolts.
3. Once the bolt is loose, move it to the center of the hole and completely pull out the bolt, including the plastic spacer covering the bolt.

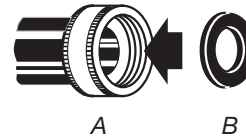


4. Once all 4 bolts are removed, discard the bolts and spacers. Then push the plug back into the back of the washer and pull the power cord through the left opening of the rear panel and close the hole with the attached cap.
5. Close the bolt holes with the 4 transport bolt hole plugs.

NOTE: If the washer is to be transported at a later date, call your distributor. To avoid suspension and structural damage, your washer must be properly set up for relocation by a trained professional.

Connect the Inlet Hoses

Insert new flat washers (supplied) into each end of the inlet hoses. Firmly seat the washers in the couplings.



A. Coupling
B. Washer

INSTALLATION INSTRUCTIONS

Remove Transport System

⚠ WARNING

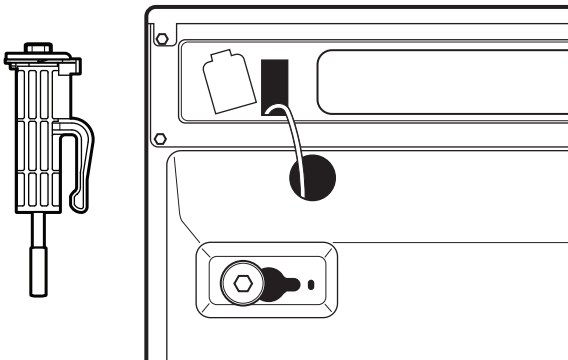
Excessive Weight Hazard

Use two or more people to move and install washer.

Failure to do so can result in back or other injury.

IMPORTANT: Position the washer so that the rear of the washer is within approximately 3 ft (900 mm) of its final location.

There are 4 blue spacers secured by bolts in the rear panel of the washer that support the suspension system during transportation. These spacers also retain the power cord inside the washer until the bolts are removed.

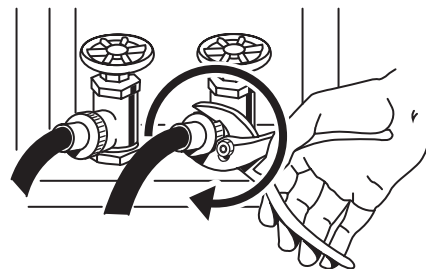


Shipping bolt with blue spacer

Connect the inlet hoses to the water faucets

Make sure the washer drum is empty.

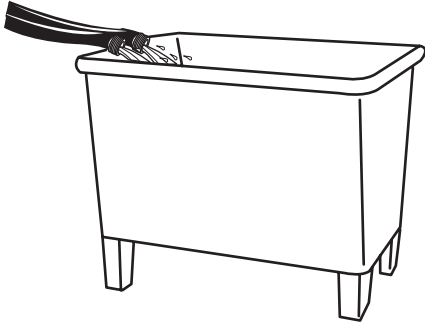
1. Attach a hose to the hot water faucet. Screw on coupling by hand until it is seated on the flat rubber washer.
2. Attach a hose to the cold water faucet. Screw on coupling by hand until it is seated on the flat rubber washer.
3. Using pliers, tighten the couplings with an additional two-thirds turn.



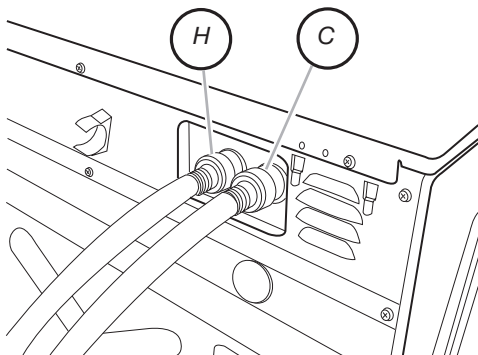
NOTE: Do not over-tighten, use tape, or sealants on the valve. Damage to the valves can result.

Clear water lines

- Run water through both faucets and inlet hoses, into a laundry tub, drainpipe, or bucket, to get rid of particles in the water lines that might clog the inlet valve screens.
- Check the temperature of the water to make sure that the hot water hose is connected to the hot water faucet and that the cold water hose is connected to the cold water faucet.



Connect the inlet hoses to the washer



H. Hot water inlet
C. Cold water inlet

1. Attach the hot water hose to the washer's hot (H) water inlet valve. Screw on coupling by hand until it is seated on the washer.
2. Attach the cold water hose to the washer's cold (C) water faucet. Screw on coupling by hand until it is seated on the washer.
3. Using pliers, tighten the couplings with an additional two-thirds turn.

NOTE: Do not overtighten. Damage to the coupling can result.

4. Turn on the water faucets completely and check for leaks.

NOTE: Replace inlet hoses after 5 years of use to reduce the risk of hose failure. Record hose installation or replacement dates on the hoses for future reference.

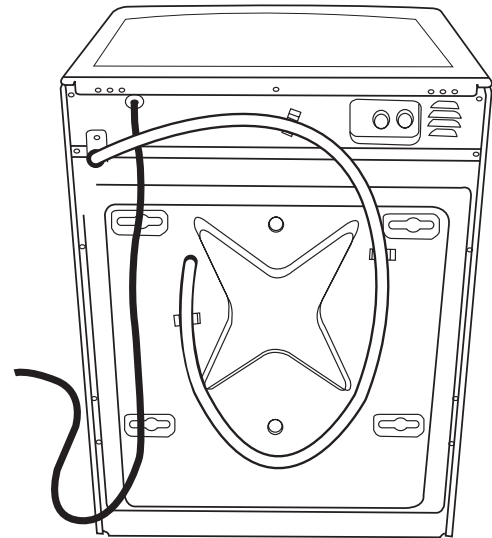
Periodically inspect and replace hoses if bulges, kinks, cuts, wear, or leaks are found.

Route the Drain Hose

Be sure to properly route the drain hose to avoid water leakage and damage to your floor. Read and follow these instructions.

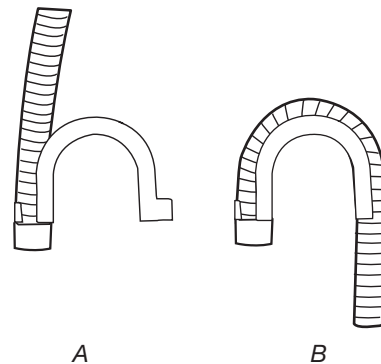
Remove drain hose from the washer

Gently pull the corrugated drain hose from the shipping clips.



Laundry tub drain or standpipe drain

Connect the drain hose form to the corrugated drain hose.



- A. Snap either end of the drain hose form to the drain hose at the point where the corrugation begins.
- B. Bend drain hose over drain hose form and snap into place.

To keep drain water from going back into the washer:

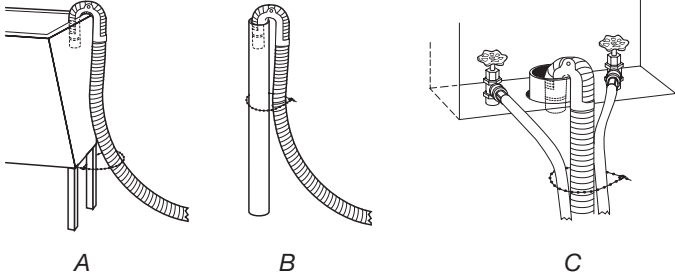
- Do not straighten the drain hose, and do not force excess drain hose into standpipe. Hose should be secure, but loose enough to provide a gap for air.
- Do not lay excess hose on the bottom of the laundry tub.

Floor drain

You may need additional parts. See Floor drain under "Tools and Parts."

Secure the Drain Hose

1. Drape the power cord over the washer top.
2. Move the washer to its final location.
3. Place the drain hose in the laundry tub or standpipe as shown. See illustrations A and B.
4. If the washer faucets and the drain standpipe are recessed, put the hooked end of the drain hose in the standpipe as shown. See illustration C.



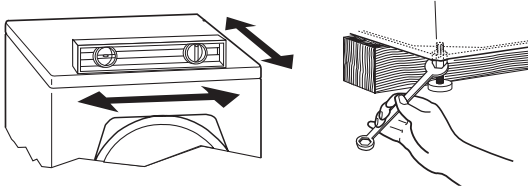
NOTES:

- Secure the drain hose using the supplied beaded strap.
- Do not force excess drain hose back into the rear of the washer.
- To avoid siphoning, do not seal the drain hose into the standpipe.

Level the Washer

Properly leveling your washer avoids excessive noise and vibration.

1. Check the levelness of the washer by placing a level on the top edge of the washer, first side to side, then front to back.



If the washer is against a wall, move the washer out slightly before tipping back. If the washer is not level, first prop the front with a wood block and adjust the feet as necessary; then prop the back and adjust feet as necessary. Repeat this step until washer is level.

2. Make sure all four feet are stable and resting on the floor. Then check that the washer is perfectly level (use a level).
3. After the washer is level, use a 9/16" open-end wrench to turn the nuts on the feet tightly against the washer cabinet.

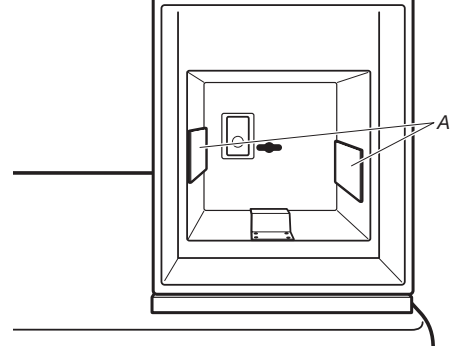
IMPORTANT: All four feet must be tightened. If the nuts are not tight against the washer cabinet, the washer may vibrate.

4. The washer should not move front to back, side to side, or diagonally when pushed on its top edges.
5. Slide the washer to its final location.
6. Confirm the levelness of the washer.

Installing Pad Strips

NOTE: For PD Models only.

1. Take the 2 foam pad strips from bag.
2. Remove tape from the back of adhesive pads.
3. Install the pads on the left and right inside walls of the coin vault, leaving about 1/4" to 1/2" of space near the front edge of the vault to allow room for the coin box to lock into position.



A. Foam pad strips

Complete Installation

1. Check the electrical requirements. Be sure that you have the correct electrical supply and the recommended grounding method. See "Electrical Requirements."
2. Check that all parts are now installed. If there is an extra part, go back through the steps to see which step was skipped.
3. Check that you have all of your tools.
4. Dispose of/recycle all packaging materials.
5. Check that the water faucets are on.
6. Check for leaks around faucets and inlet hoses.

⚠ WARNING



Electrical Shock Hazard

Plug into a grounded 3 prong outlet.

Do not remove ground prong.

Do not use an adapter.

Do not use an extension cord.

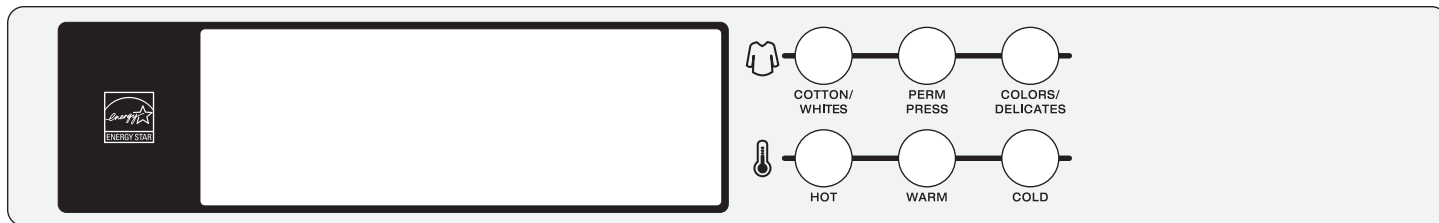
Failure to follow these instructions can result in death, fire, or electrical shock.

7. Plug into a grounded 3 prong outlet.
8. To test and to clean your washer, measure 1/2 the detergent manufacturer's recommended amount of "HE" High Efficiency detergent for a medium-size load. Pour the detergent into the detergent dispenser. Select any cycle and allow the washer to complete one whole cycle.



Use only HE High Efficiency detergent.

USER & SET-UP INSTRUCTIONS



NOTE: After the washer has been installed and plugged in, the display will show '0 MINUTES'. Once the washer has been plugged in and the washer door opened and closed, the display will show the price. In washers set for free cycles, the display will flash 'SELECT CYCLE'.

1. Insert coins until 'SELECT CYCLE' flashes in display. When a card reader is used, a debit card is required rather than coins. In Enhanced Debit mode, the card balance will also display when a debit card is inserted into the reader.
2. Door must be closed before cycle selection is made.
3. Press fabric setting button for the wash cycle desired. After the cycle is started, the time will display and count down.
4. When a cycle is interrupted by opening the door, 'RESELECT CYCLE' will flash in the display. To restart the washer, close door, and press any button.

General User Information

SCROLLING 'OUT OF ORDER' SHOWING IN DISPLAY, FOLLOWED BY A FAILURE CODE - This condition indicates the washer is inoperative.

'0 MINUTES' SHOWING IN DISPLAY – This condition indicates the washer cannot be operated. Coins dropped or debit inputs during this condition will be stored in escrow, but cannot be used until normal operation is restored by opening and closing the door. If a door switch fails, it must be replaced before normal operation can be restored.

COLD START (Initial first use) – Washer is programmed at the factory as follows:

- 14-minute wash period
- 3 rinses (extra rinse not enabled)
- \$1.75 wash price

WARM START (after power failure) – A few seconds after power is restored, if a cycle was in progress at the time of the power failure, 'RESELECT CYCLE' will flash in the display, indicating the need for a key press to restart washer.

DOOR LOCK – The door will be locked when the cycle starts. The door will remain locked until the end of a cycle or approximately 2 minutes after a power interruption.

PRICING – After the door is opened following the completion of a cycle, the display indicates the cycle price (unless set for free operation). As coins are dropped or debit inputs arrive, the display will change to lead the user through the initiation of a cycle.

FREE CYCLES – This is established by setting the cycle price to zero. When this happens, 'SELECT CYCLE' will appear rather than a cycle price.

DEBIT CARD READY – This washer is debit card 'cable' ready. It will accept a variety of debit card systems, but does NOT come with a debit card reader. Refer to the debit card reader manufacturer for proper washer set-up. In models converted to a Generation 1 debit card system a debit pulse represents the equivalent of one coin (coin 1).

Control Set-up Procedures

IMPORTANT: Read all instructions before operating.

- Coin Payment Models: Insert access door key, turn, and lift to remove access door.
- With Card Payment System: Once the debit card reader is installed (according to the reader manufacturer's instructions), the set-up mode can be entered by inserting a manual set-up card (supplied by the reader manufacturer) into the card slot. If a manual set-up card is not available, manual set-up mode cannot be entered by removing connector AA1 on the circuit board.

Once the washer has been set up with a Gen. 2 card reader, it will be put into dAS mode permanently, and dAS will be displayed every time set-up mode is accessed.

IMPORTANT: If the card payment system has not yet been installed and a service key is not available, unplug washer or disconnect power before opening the console. To access connector AA1:

- Unplug washer or disconnect power.
- Open console, disconnect plug on AA1, close console.
- Plug in washer or reconnect power.

The washer is now in the set-up mode. The temperature buttons and the digital display are used to set up the controls. The display can contain 4 numbers and/or letters and a decimal point. These are used to indicate the set-up codes and related code values available for use in programming the washer.

HOW TO USE THE BUTTONS TO PROGRAM THE CONTROLS

1. The HOT button is used to adjust the values associated with set-up codes. Pressing the button will change the value by increments. Rapid adjustment is possible by holding the button down.
2. The WARM button will advance you through the set-up codes. Pressing the button will advance you to the next available set-up code. Holding the button down will automatically advance through the set-up codes at a rate of one (1) per second.
3. The COLD button is used to select or deselect options.

Start Operating Set-up

NOTE: Prior to operation, a payment system or an OPL kit must be installed.

Before proceeding, it is worth noting that, despite all of the options available, an owner can simply choose to uncrate a new commercial washer, hook it up, plug it in, and have a washer that operates. Washers are preset at the factory for a 14-minute wash period and 3 rinses (no extra rinse).

SET-UP CODES

The WARM button will advance you from code to code.

The HOT button will change the code value.

The COLD button will select or deselect options.

NOTE: The set-up codes are the same for all models except where noted.

The set-up code is indicated by the one or two left-hand characters. The set-up code value is indicated by the two or three right-hand characters.

CODE	EXPLANATION
6 01	REGULAR CYCLE PRICE
6 01	Represents the number of push-in actuations of the coin slide to start the washer. 6 01 would equal one coin slide activation.
6 07	When the d.xx is set to d.00, this 6 xx value represents the number of quarters (coin 1) needed to start the washer; may adjust from 0-39. Change this value by pressing the HOT button. 6 07 = 7 quarters = \$1.75. → Press the WARM button once to advance to next code.
8 00	ADDITIONAL RINSE OPTION This option is either SELECTED 'ON' or NOT SELECTED 'OFF'.
8 00	Not Selected 'OFF'.
8 Ar	Selected 'ON'. Press the COLD button once for this selection. → Press the WARM button once to advance to next code.
9 00	CYCLE COUNTER OPTION This option is either SELECTED 'ON' or NOT SELECTED 'OFF'.
9 00	Not Selected 'OFF'.
9 0C	Selected 'ON' and not able to be deselected. Press the COLD button 3 consecutive times to select 'ON'. Once selected 'ON' it cannot be deselected. → Press the WARM button once to advance to next code.

CODE	EXPLANATION
1. 00	MONEY COUNTER OPTION This option is either SELECTED 'ON' or NOT SELECTED 'OFF'.
1. 00	Not Selected 'OFF'.
1. 0C	Selected 'ON'. Press the COLD button 3 consecutive times to select 'ON' and 3 consecutive times to remove (Not Selected 'OFF'.) Counter resets by going from 'OFF' to 'ON'. → Press the WARM button once to advance to next code.
1. C0	Selected 'ON' and not able to be deselected. To select 'ON' and not able to be deselected, first select 'ON', then within 2 seconds press the COLD button twice, HOT button once, and exit the set-up mode.
2. 00	SPECIAL PRICING OPTIONS This option is either SELECTED 'ON' or NOT SELECTED 'OFF'.
2. 00	Not Selected 'OFF'.
2. SP	Selected 'ON'. Press the COLD button once for this selection.
If SPECIAL PRICING OPTION is selected, you have access to codes '3.XX' through '9.XX'.	
→	Press the WARM button once to advance to next code.
Options to use if SPECIAL PRICING is selected:	
3. 01	SPECIAL CYCLE PRICE
3. 01	Represents the number of push-in actuations of the coin slide to start the washer. 3.01 would equal one coin slide actuation.
3. 07	When the d.xx is set to d.00, this 3.xx value represents the number of quarters (coin 1) needed to start the washer; may adjust from 0-39. Change this value by pressing the HOT button. 3.07 = 7 quarters = \$1.75. → Press the WARM button once to advance to next code.
5. 00	TIME-OF-DAY CLOCK, MINUTES
5. 00	This is the TIME-OF-DAY CLOCK, minute setting; select 0-59 minutes by pressing the HOT button. → Press the WARM button once to advance to next code.
6. 00	TIME-OF-DAY CLOCK, HOURS NOTE: Uses military time or 24 hr. clock
6. 00	This is the TIME-OF-DAY CLOCK, hour setting; select 0-23 hours by pressing the HOT button. → Press the WARM button once to advance to next code.
7. 00	SPECIAL PRICE START HOUR NOTE: Uses military time or 24 hr. clock
7. 00	This is the start hour; 0-23 hours. Select START HOUR by pressing the HOT button. → Press the WARM button once to advance to next code.

CODE	EXPLANATION																								
Options to use if SPECIAL PRICING is selected (cont.):																									
8. 00	SPECIAL PRICE STOP HOUR NOTE: Uses military time or 24 hr. clock																								
8. 00	This is the stop hour; 0-23 hours. Select STOP HOUR by pressing the HOT button. → Press the WARM button once to advance to next code.																								
9. 10	SPECIAL PRICE DAY																								
9. 10	This represents the day of the week and whether special pricing is selected for that day. A number followed by '0' indicates no selection that particular day (9.10). A number followed by an 'S' indicates selected for that day (9.1S). To change the value of '0' and 'S', use the COLD button. Days of the week (1-7) are selected by pressing the HOT button. When exiting set-up code '9', the display must show current day of week: <table border="1" data-bbox="240 699 776 919"> <thead> <tr> <th>DISPLAY</th> <th>DAY OF WEEK</th> <th>CODE (slected)</th> </tr> </thead> <tbody> <tr><td>10</td><td>Day 1 = Sunday</td><td>1S</td></tr> <tr><td>20</td><td>Day 2 = Monday</td><td>2S</td></tr> <tr><td>30</td><td>Day 3 = Tuesday</td><td>3S</td></tr> <tr><td>40</td><td>Day 4 = Wednesday</td><td>4S</td></tr> <tr><td>50</td><td>Day 5 = Thursday</td><td>5S</td></tr> <tr><td>60</td><td>Day 6 = Friday</td><td>6S</td></tr> <tr><td>70</td><td>Day 7 = Satday</td><td>7S</td></tr> </tbody> </table> → Press the WARM button once to advance to next code.	DISPLAY	DAY OF WEEK	CODE (slected)	10	Day 1 = Sunday	1S	20	Day 2 = Monday	2S	30	Day 3 = Tuesday	3S	40	Day 4 = Wednesday	4S	50	Day 5 = Thursday	5S	60	Day 6 = Friday	6S	70	Day 7 = Satday	7S
DISPLAY	DAY OF WEEK	CODE (slected)																							
10	Day 1 = Sunday	1S																							
20	Day 2 = Monday	2S																							
30	Day 3 = Tuesday	3S																							
40	Day 4 = Wednesday	4S																							
50	Day 5 = Thursday	5S																							
60	Day 6 = Friday	6S																							
70	Day 7 = Satday	7S																							
A. 00	VAULT VIEWING OPTION This option is either SELECTED 'ON' or NOT SELECTED 'OFF'.																								
A. 00	Not Selected 'OFF'.																								
A. SC	Selected 'ON'. Press the COLD button once for this selection. When selected, the money and/or cycle counts will be viewable (if counting is selected) when the coin box is removed. → Press the WARM button once to advance to next code.																								
b. 35	VALUE OF COIN 1																								
b. 35	This represents the value of coin 1 in number of nickels; 35 = \$1.75. This equals the total vend price needed to start the washer. This value is shown in the display as the vend price. When d.xx is set to d.00, this b.xx value represents the value of coin 1 in Nickels; may adjust from 1-199. Change this value by pressing the HOT button. → Press the WARM button once to advance to next code.																								
C. 35	VALUE OF COIN 2																								
C. 35	This represents the value of coin 2 in number of nickels; 35 = \$1.75. By pressing the HOT button you have the option of 1-199 nickels. → Press the WARM button once to advance to next code.																								

CODE	EXPLANATION
d. CS	COIN SLIDE OPTION This option is either SELECTED 'ON' or NOT SELECTED 'OFF'.
d. CS	Selected 'ON'. When coin slide mode is selected 'ON', set 'b.' equal to value of vend price in nickels. Set set-up code 6 xx (regular cycle price) and set-up code 3.xx (special cycle price) to number of slide pushes. If washer is set up as 'CS' and a coin drop is installed, it will not register coins.
d. 00	Not Selected 'OFF'. Used when washer is set-up as OPL, or with a coin drop or a card reader. → Press the WARM button once to advance to next code.
E. 00	ADD COINS OPTION This option is either SELECTED 'ON' or NOT SELECTED 'OFF'. This option causes the customer display to show the number of coins (coin 1) to enter, rather than the dollars-and-cents amount.
E. 00	Not Selected 'OFF'.
E. AC	Selected 'ON'. Press the COLD button 3 consecutive times for this selection. → Press the WARM button once to advance to next code.
F. 00	ENHANCED PRICING OPTION
F. 00	Not Selected 'OFF'.
F. CP	Cycle-Based pricing enabled. This option allows configuration of different prices for cold, warm, and hot water selections. → Press the WARM button once to advance to next code.
J. Cd	COIN/DEBIT OPTION
J. Cd	Both coin and debit selected. Press the COLD button 3 consecutive times to change this selection.
J. C_	Coins selected, debit disabled. Press the COLD button 3 consecutive times to change this selection.
J. _d	Debit Card selected, coins disabled. Press the COLD button 3 consecutive times to change this selection.
J. Ed	Enhanced debit is self-selected when a Generation 2 card reader is installed in the washer. The Ed option cannot be manually selected or deselected. → Press the WARM button once to advance to next code.
L. 00	PRICE SUPPRESSION OPTION This option causes the customer display to show 'ADD' or 'AVAILABLE' rather than the amount of money to add. (Used mainly in debit installations.)
L. 00	Not Selected 'OFF'.
L. PS	PS Selected 'ON'. Press the COLD button once for this selection. → Press the WARM button once to advance to next code.

CODE	EXPLANATION
n. CE	CLEAR ESCROW OPTION When selected, money held in escrow for 30 minutes without further escrow or cycle activity will be cleared.
00	Not Selected 'OFF'.
CE	Selected 'ON'. Press the COLD button once for this selection.
→	Press the WARM button once to advance to next code.

CODE	EXPLANATION
U. 00	PENNY INCREMENT OFFSET
U. 00	This represents the penny increment price offset used in Generation 2 (Enhanced Debit) Card Payment Systems. Choose from 0-4 pennies by pressing the HOT button.
→	Press the WARM button once to advance to next code.

CODE	EXPLANATION
A1. 00	PREWASH LENGTH
A1. 00	This is the number of minutes of PREWASH. Choose 0 to disable the prewash or select between 2 and 7 minutes by pressing the HOT button.
→	Press the WARM button once to advance to next code.

If cycle counter (9 0C) is selected, the following is true:

1 00 Represents the number of cycles in HUNDREDS. $1 \underline{02} = 200$
 2 00 Represents the number of cycles in ONES. $\underline{2 \ 25} = 25$
TOTAL = 225 cycles

This is "VIEW ONLY" and cannot be cleared.

Press the WARM button once to advance to next code.

If money counter (1.0C or 1.C0) is selected, the following is true:

3 00 Number of dollars in HUNDREDS. $3 \underline{01} = \$100.00$
 4 00 Number of dollars in ONES. $4 \underline{68} = \$ 68.00$
 5 00 Number of CENTS. $\underline{5 \ 75} = \$.75$
TOTAL = \$168.75

END OF SET-UP PROCEDURES

EXIT FROM SET-UP MODE

All Models: Reinstall access door.

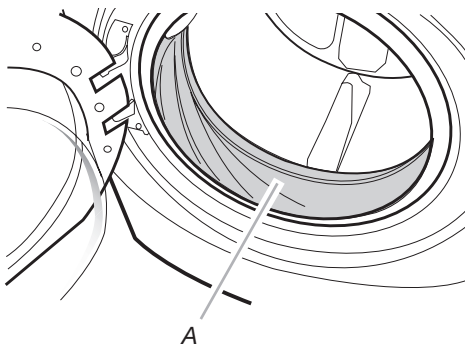
If AA1 connector was removed to access Set-up Mode:

- Unplug washer or disconnect power.
- Open console, reinsert plug on AA1, close console.
- Plug in washer or reconnect power.

CLEANING YOUR WASHER

Cleaning the Door Seal/Bellow

1. Open the washer door and remove any clothing or items from the washer.
2. Inspect inner glass door. If debris is present, wipe off debris using damp cloth.
3. Inspect colored seal/bellow between the door opening and the basket for stained areas. Pull back the seal/bellow to inspect all areas under the seal/bellow and to check for foreign objects.



A. Seal/Bellow

4. If stained areas are found, wipe down these areas of the seal/bellow, using the procedure that follows.
 - a) Mix a dilute solution, using 3/4 cup (177 mL) of liquid chlorine bleach, and 1 gal. (3.8 L) of warm tap water.
 - b) Wipe the seal/bellow area with the dilute solution, using a damp cloth.
 - c) Let stand 5 minutes.
 - d) Wipe down area thoroughly with a dry cloth and let the washer interior air dry with door open.

IMPORTANT:

- Wear rubber gloves when cleaning for prolonged periods.
- Refer to the bleach manufacturer's instructions for proper use.

Washer Maintenance Procedure

This washer has a special cycle that uses higher water volumes in combination with liquid chlorine bleach to thoroughly clean the inside of the washer.

NOTES:

- Read these instructions completely before beginning the cleaning process.
- If necessary, the cleaning cycle may be interrupted by pressing the COLD button twice. However, this will not immediately stop the cycle. The machine will continue with several rinse and drain steps to ensure that all remaining bleach is rinsed from the washer.

Begin procedure

1. Open the washer door and remove any clothing or items from the washer.
2. Open the dispenser drawer and immediately add 2/3 cup (160 mL) of liquid chlorine bleach to the bleach compartment.

NOTE: Do not add any detergent to this cycle. Use of more than 2/3 cup (160 mL) of bleach will cause product damage over time.
3. Close the washer door and the dispenser drawer.
4. To start the Washer Cleanout cycle, first enter "Start Operating Set-up." Then press and hold COLD for one second. With the entire display flashing, press COLORS/ DELICATES.

NOTE: The door will lock, the basket will rotate 1/2 turn, then the door will unlock and lock again, then the Washer Cleanout cycle will continue.

- The washer will not fill, but the basket will rotate while the washer runs a short sensing cycle. This will take approximately 3 minutes.
5. The cycle will determine whether clothing or other items are in the washer.
 - a) If no items are detected in the washer, it will proceed to Step 7.
 - b) If any items are detected in the washer, “rL” or “F-34” will be displayed. Then the door will unlock.
 - Press COLD to cancel the failure code. Then repeat steps 1, 3, and 4 to start the cycle again.
 6. Once the cycle has begun, allow the cycle to complete.
 7. After the cycle is complete, leave the door open slightly, to allow for better ventilation and drying of washer interior.

Always do the following to maintain washer freshness

- Use only “HE” High Efficiency detergent.
- Leave the door slightly open after each cycle to allow for better ventilation and drying of washer interior.
- Clean the washer monthly using the Washer Maintenance Procedure, and 2/3 cup (160 mL) of liquid chlorine bleach.
- If the procedure does not sufficiently improve the machine freshness, please evaluate your installation and usage conditions for other causes.

Cleaning the exterior

Use a soft damp cloth or sponge to wipe up any spills. Occasionally wipe the outside of your washer to keep it looking new. Use mild soap and water. Do not use abrasive products.

Cleaning the dispenser drawer

The dispenser drawer is removable for easy cleaning.

1. Unlock the dispenser drawer by pressing the Release Lever. Remove the drawer.
2. Remove the inserts (the siphon from the softener and bleach compartments).
3. Wash the parts under running water.
NOTE: Do not wash components in the dishwasher.
4. Replace the inserts and return the dispenser to the drawer.

Water Inlet Hoses

Replace water inlet hoses after 5 years of use to reduce the risk of hose failure. Periodically inspect and replace water inlet hoses if bulges, kinks, cuts, wear, or leaks are found.

When replacing your water inlet hoses, mark the date of replacement on the label with a permanent marker.

ASSISTANCE OR SERVICE**If you need assistance:**

Contact the distributor where the washer was purchased or visit www.whirlpoolcommerciallaundry.com.

When you call, you will need the washer model number and serial number. Both numbers can be found on the serial-rating plate located on your washer.

WHIRLPOOL COMMERCIAL LAUNDRY WARRANTY:

CAM2752, CEM2750, CGM2751, CAM2762, CEM2760, CGM2761, CSP2760, CSP2761, CEW9100, CGW9100, CHW9900

LIMITED WARRANTY

For the first three years from the date of purchase, when this commercial appliance is installed, maintained, and operated according to the instructions attached to or furnished with the product, Whirlpool Corporation (hereafter "Whirlpool") will pay for factory specified parts or original equipment manufacturer parts to correct defects in materials or workmanship that existed when this major appliance was purchased. YOUR SOLE AND EXCLUSIVE REMEDY UNDER THIS LIMITED WARRANTY SHALL BE PRODUCT REPAIR AS PROVIDED HEREIN. Proof of original purchase date is required to obtain service under this warranty.

ITEMS WHIRLPOOL WILL NOT PAY FOR

This limited warranty does not cover:

1. Costs including transportation, shipping, or custom duties for covered parts.
 2. Service calls to correct the installation of your commercial appliance, to instruct you how to use your commercial appliance, to replace or repair fuses, or to correct external wiring or plumbing.
 3. Replacement parts or repair labor if this commercial appliance is used for other than normal, commercial use or when it is used in a manner that is inconsistent to published user or operator instructions and/or installation instructions.
 4. Damage resulting from improper handling of product during delivery, theft, accident, alteration, misuse, abuse, fire, flood, acts of God, improper installation, installation not in accordance with local electrical or plumbing codes, or use of products not approved by Whirlpool.
 5. Pickup and Delivery. This commercial appliance is designed to be repaired on location.
 6. Repairs to parts or systems resulting from unauthorized modifications made to the commercial appliance.
 7. The removal and reinstallation of your commercial appliance if it is installed in an inaccessible location or is not installed in accordance with published installation instructions.
 8. Damage resulting from exposure to chemicals.
 9. Changes to the building, room, or location needed in order to make the commercial appliance operate correctly.
-

DISCLAIMER OF IMPLIED WARRANTIES

IMPLIED WARRANTIES, INCLUDING ANY IMPLIED WARRANTY OF MERCHANTABILITY OR IMPLIED WARRANTY OF FITNESS FOR A PARTICULAR PURPOSE, ARE LIMITED TO THREE YEARS OR THE SHORTEST PERIOD ALLOWED BY LAW. Some states and provinces do not allow limitations on the duration of implied warranties of merchantability or fitness, so this limitation may not apply to you. This warranty gives you specific legal rights, and you also may have other rights that vary from state to state or province to province.

LIMITATION OF REMEDIES; EXCLUSION OF INCIDENTAL AND CONSEQUENTIAL DAMAGES

YOUR SOLE AND EXCLUSIVE REMEDY UNDER THIS LIMITED WARRANTY SHALL BE PRODUCT REPAIR AS PROVIDED HEREIN. WHIRLPOOL SHALL NOT BE LIABLE FOR INCIDENTAL OR CONSEQUENTIAL DAMAGES. Some states and provinces do not allow the exclusion or limitation of incidental or consequential damages, so these limitations and exclusions may not apply to you. This warranty gives you specific legal rights, and you also may have other rights that vary from state to state or province to province.

If you need service, please contact your authorized Whirlpool Commercial Laundry distributor. To locate your authorized Whirlpool Commercial Laundry distributor, or for web inquiries, visit www.WhirlpoolCommercialLaundry.com.

5/08

For written correspondence:

Whirlpool Commercial Laundry Service Department
2000 N M 63
Benton Harbor, MI 49022-2632 USA

SÉCURITÉ DE LA LAVEUSE

Votre sécurité et celle des autres est très importante.

Nous donnons de nombreux messages de sécurité importants dans ce manuel et sur votre appareil ménager. Assurez-vous de toujours lire tous les messages de sécurité et de vous y conformer.



Voici le symbole d'alerte de sécurité.

Ce symbole d'alerte de sécurité vous signale les dangers potentiels de décès et de blessures graves à vous et à d'autres.

Tous les messages de sécurité suivront le symbole d'alerte de sécurité et le mot "DANGER" ou "AVERTISSEMENT". Ces mots signifient :

 **DANGER**

Risque possible de décès ou de blessure grave si vous ne suivez pas immédiatement les instructions.

 **AVERTISSEMENT**

Risque possible de décès ou de blessure grave si vous ne suivez pas les instructions.

Tous les messages de sécurité vous diront quel est le danger potentiel et vous disent comment réduire le risque de blessure et ce qui peut se produire en cas de non-respect des instructions.

IMPORTANTES INSTRUCTIONS DE SÉCURITÉ

AVERTISSEMENT : Pour réduire les risques d'incendie, de choc électrique ou de blessures lors de l'utilisation de la laveuse, suivre les précautions fondamentales dont les suivantes :

- Lire toutes les instructions avant d'utiliser la laveuse.
- Ne pas laver des articles qui ont été nettoyés ou lavés avec de l'essence ou imbibés d'essence, solvants de nettoyage à sec, ou autres substances inflammables ou explosives; ces substances peuvent émettre des vapeurs susceptibles de s'enflammer ou d'exploser.
- Ne pas ajouter d'essence, solvant de nettoyage à sec ou autre produit inflammable ou explosif dans l'eau de lavage. Ces substances peuvent émettre des vapeurs susceptibles de s'enflammer ou d'exploser.
- Dans certaines conditions, de l'hydrogène gazeux peut se former dans un circuit d'eau chaude qui n'a pas été utilisé pendant 2 semaines ou plus. LE GAZ HYDROGÈNE EST EXPLOSIBLE. Si le circuit d'eau chaude n'a pas été utilisé pendant une telle période, avant d'utiliser la laveuse, ouvrir tous les robinets d'eau chaude et laisser l'eau s'écouler pendant plusieurs minutes par chaque robinet. Ceci permettra l'évacuation de l'hydrogène gazeux accumulé. Comme ce gaz est inflammable, ne pas fumer ou utiliser une flamme nue au cours de cette période.
- Ne pas laisser des enfants jouer sur ou à l'intérieur de la laveuse. Bien surveiller les enfants lorsque la laveuse est utilisée à proximité d'enfants.
- Avant de mettre la laveuse au rebut ou hors de service, enlever la porte ou le couvercle.
- Ne pas tenter d'atteindre un article à l'intérieur de la cuve de la laveuse lorsque le tambour, la cuve ou l'agitateur est en mouvement.
- Ne pas installer ou remiser cette laveuse à un endroit où elle serait exposée aux intempéries.
- Ne pas modifier les organes de commande.
- Ne pas réparer ou remplacer un composant quelconque de la laveuse, ni entreprendre une opération de service, si ce n'est spécifiquement recommandé dans ce manuel ou dans un manuel d'instructions de réparations destiné à l'utilisateur; il est alors essentiel que la personne concernée comprenne ces instructions et soit compétente pour les exécuter.
- Voir "Spécifications électriques" pour les instructions de liaison à la terre.

CONSERVEZ CES INSTRUCTIONS

EXIGENCES D'INSTALLATION

Outillage et pièces

Rassembler les outils et pièces nécessaires avant de commencer l'installation. Les pièces fournies se trouvent dans le tambour de la laveuse.

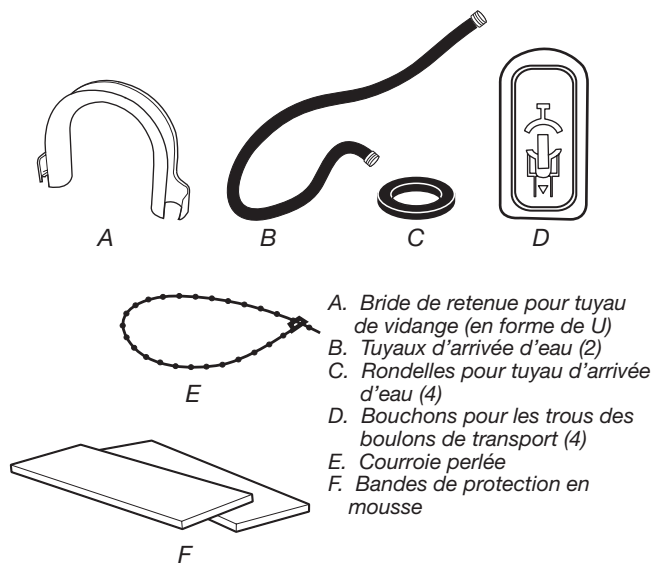
Outils nécessaires au raccordement des tuyaux d'arrivée d'eau

- Pince (ouverture jusqu'à 1 $\frac{1}{16}$ " [39,5 mm])
- Lampe de poche (facultative)

Outils nécessaires à l'installation

- Clés plates de 1/2" et 9/16"
- Niveau
- Cale en bois
- Règle ou mètre ruban

Pièces fournies



Autres pièces

Il se peut que l'installation nécessite des pièces supplémentaires. Pour acheter l'un des articles indiqués ici, contacter le distributeur auprès duquel la laveuse a été achetée.

Si vous avez	Vous devrez acheter
Évier de buanderie ou tuyau rigide de rejet à l'égout plus haut que 96" (2,4 m)	Système de pompe de puisard (si non déjà disponible)
Égout surélevé	Évier de vidange standard de 20 gal. (76 L) de 30" (762 mm) de hauteur ou évier utilitaire et pompe de puisard (disponibles chez votre fournisseur local d'articles de plomberie)
Égout au plancher	Brise-siphon, pièce n° 285834; tuyau de vidange additionnel, pièce n° 8318155; et ensemble de connexion, pièce n° 285835

Si vous avez	Vous devrez acheter
Tuyau de vidange trop court	Trousse de rallonge du tuyau de vidange de 4 pi (1,2 m), pièce n° 285863
Robinets d'eau hors d'atteinte des tuyaux d'admission	2 tuyaux d'admission d'eau plus longs : 6 pi (1,8 m), pièce n° 76314 10 pi (3 m), pièce n° 350008

Accessoires

Vous pouvez faciliter l'utilisation de votre laveuse avec ces accessoires de première qualité.

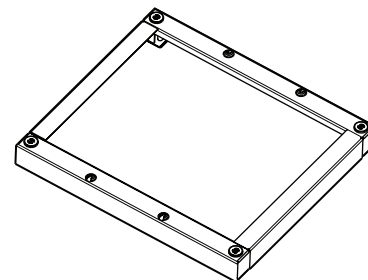
Pour vous informer au sujet des autres articles de qualité ou pour commander, composez le **1-800-901-2042** ou consultez le site www.whirlpool.com/accessories. Au Canada, composez le **1-800-807-6777** ou consultez le site Internet www.whirlpoolparts.ca.

Pièce numéro	Accessoire
8212487RP	Tuyau d'arrivée d'eau de 5 pi (1,5 m) en nylon tressé. (lot de 2)
8212526	Plateau d'égouttement de la laveuse, convient à tous les modèles
31682	Produit de nettoyage polyvalent pour appareils ménagers
1903WH	Casier de rangement de fournitures de buanderie

Options

Piédestal

Vous avez la possibilité d'acheter des piédestaux séparément pour cette laveuse. Le piédestal augmentera la hauteur totale de la laveuse.



Piédestal facultatif

Hauteur du piédestal	Hauteur approximative avec laveuse	Couleur	Numéro de modèle
2 $\frac{7}{8}$ " (73 mm)	47,5" (1207 mm)	Blanc	WHP0400VW

Exigences d'emplacement

Le choix d'un emplacement approprié pour la laveuse en améliore le rendement et réduit au minimum le bruit et le "déplacement" possible de la laveuse.

La laveuse peut être installée sous un comptoir personnalisé, dans un sous-sol, une salle de buanderie, un placard ou un encastrement. Voir "Système de vidange". Il faut aussi prendre en compte les exigences d'emplacement des appareils voisins. C'est à l'utilisateur qu'incombe la responsabilité de réaliser une installation correcte.

Il vous faudra

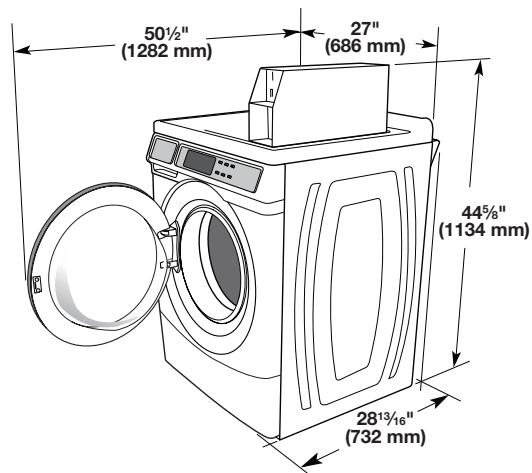
- Un chauffe-eau configuré pour fournir de l'eau à 120°F (49°C) à la laveuse.
- Une prise électrique reliée à la terre située à moins de 6 pi (1,8 m) du cordon d'alimentation électrique fixé à l'arrière de la laveuse. Voir "Spécifications électriques".
- Des robinets d'eau chaude et d'eau froide situés à moins de 4 pi (1,2 m) des robinets d'admission d'eau chaude et d'eau froide et une pression d'eau de 20-100 lb/po² (137,9-689,6 kPa).
- Un plancher de niveau ayant une pente maximale de 1" (25 mm) sous l'ensemble de la laveuse. L'installation de la laveuse sur des surfaces de sol molles, telles que tapis ou surfaces avec sous-couche en mousse n'est pas recommandée.
- Un plancher robuste et solide capable de soutenir le poids total de la laveuse (eau et charge) de 400 lb (180 kg).

Ne pas faire fonctionner la laveuse à des températures inférieures à 32°F (0°C). Une quantité d'eau peut demeurer dans la laveuse et causer des dommages à des températures basses.

Dégagements de séparation à respecter

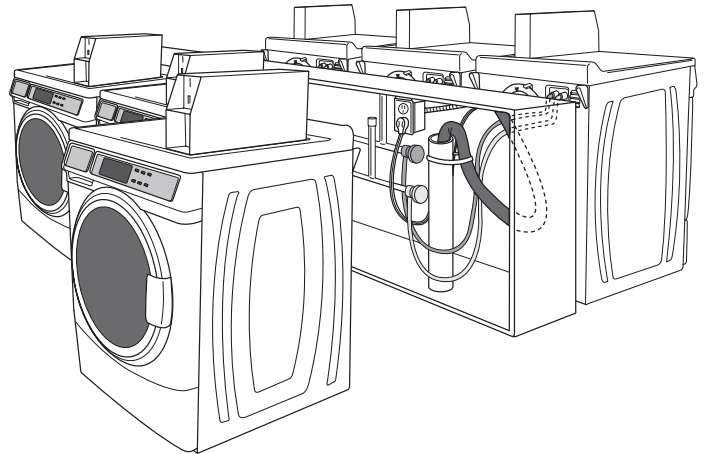
- L'emplacement doit être assez grand pour permettre d'ouvrir complètement la porte de la laveuse.
- Prévoir davantage d'espace pour faciliter l'installation et l'entretien. La porte s'ouvre à plus de 90° et n'est pas réversible.
- Un espace supplémentaire peut être requis pour les moulures de porte et de plancher et pour les plinthes.
- Un espace supplémentaire de 1" (25 mm) de tous les côtés de la laveuse est recommandé pour réduire le transfert du bruit.
- Il faut aussi prendre en compte l'espace requis entre les appareils voisins.

Dimensions de la laveuse



La porte n'est pas réversible.

Un système de vidange au plancher doit être installé sous la cloison. Des cloisons pré-fabriquées avec prises de courant, canalisations d'arrivée d'eau, et aménagements pour installation de vidange ne doivent être installés que là où les codes locaux l'autorisent.



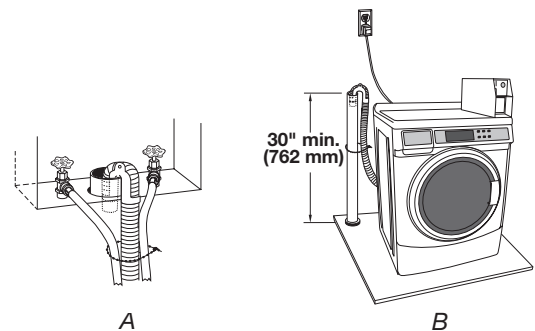
Système de vidange

La laveuse peut être installée en utilisant le système de rejet à l'égout (au plancher ou mural), le système de vidange de l'évier de buanderie, ou le système de vidange au plancher. Sélectionner la méthode d'installation du tuyau de vidange selon les besoins. Voir "Outillage et pièces".

Système de vidange avec tuyau de rejet à l'égout - mural ou au plancher (vues A et B)

Le système de rejet à l'égout nécessite un tuyau rigide d'un diamètre minimum de 2" (50 mm). La capacité minimale d'acheminement ne doit pas être inférieure à 10 gal. (38 L) par minute.

Le sommet du tuyau rigide de rejet à l'égout doit être au moins à 30" (762 mm) de hauteur et au maximum à 96" (2,4 m) de la base de la laveuse.



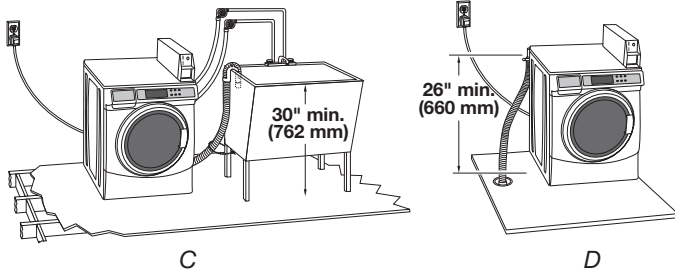
Système de vidange avec évier de buanderie (vue C)

L'évier de buanderie doit avoir une capacité minimale de 20 gal. (76 L). La partie supérieure de l'évier de buanderie doit être à au moins 30" (762 mm) au-dessus du plancher.

Système de vidange au plancher (vue D)

Le système de vidange au plancher nécessite un brise-siphon qui peut être acheté séparément. Voir "Outillage et pièces".

Le brise-siphon doit être au moins à 28" (710 mm) de la base de la laveuse. Des tuyaux supplémentaires peuvent être requis.



Spécifications électriques

⚠ AVERTISSEMENT



Risque de choc électrique

Brancher sur une prise à 3 alvéoles reliée à la terre.

Ne pas enlever la broche de liaison à la terre.

Ne pas utiliser un adaptateur.

Ne pas utiliser un câble de rallonge.

Le non-respect de ces instructions peut causer un décès, un incendie ou un choc électrique.

- Une alimentation de 120 volts, 60 Hz, CA seulement, de 15 ou 20 ampères, protégée par un fusible est requise. On recommande d'utiliser un fusible ou un disjoncteur temporisé. Il est recommandé de raccorder l'appareil sur un circuit distinct exclusif à cet appareil.
- Cette laveuse comporte un cordon d'alimentation électrique à trois broches pour liaison à la terre.
- Pour minimiser les risques de choc électrique, on doit brancher le cordon sur une prise de courant de configuration correspondante, à 3 alvéoles, reliée à la terre et installée conformément aux codes et règlements locaux. Si une prise de courant de configuration correspondante n'est pas disponible, le client a la responsabilité et l'obligation de faire installer par un électricien qualifié une prise de courant correctement reliée à la terre.

- Si les codes le permettent et si on utilise un conducteur distinct de liaison à la terre, il est recommandé qu'un électricien qualifié vérifie la qualité de la liaison à la terre.
- Ne pas utiliser une tuyauterie de gaz pour le raccordement à la terre.
- En cas de doute quant à la qualité de la liaison à la terre de la laveuse, consulter un électricien qualifié.
- Ne pas installer un fusible dans le conducteur neutre ou le conducteur de liaison à la terre.

INSTRUCTIONS DE LIAISON À LA TERRE

Pour une laveuse reliée à la terre et connectée par un cordon :

Cette laveuse doit être reliée à la terre. En cas d'anomalie de fonctionnement ou de panne, la liaison à la terre réduira le risque de choc électrique en offrant au courant électrique un itinéraire d'évacuation de moindre résistance. Cette laveuse est alimentée par un cordon électrique comportant un conducteur relié à la terre et une fiche de branchement munie d'une broche de liaison à la terre. La fiche doit être branchée sur une prise de courant appropriée qui est bien installée et reliée à la terre conformément à tous les codes et règlements locaux.

AVERTISSEMENT : Le raccordement incorrect de cet appareil au conducteur de liaison à la terre peut susciter un risque de choc électrique. En cas de doute quant à la qualité de la liaison à la terre de l'appareil, consulter un électricien ou technicien d'entretien qualifié.

Ne pas modifier la fiche de branchement fournie avec l'appareil – si la fiche ne correspond pas à la configuration de la prise de courant, demander à un électricien qualifié d'installer une prise de courant convenable.

Pour une laveuse raccordée en permanence :

Cette laveuse doit être raccordée à un système de câblage permanent en métal relié à la terre ou un conducteur relié à la terre doit être en fonction avec les conducteurs de circuit et raccordés à la borne de liaison à la terre ou la borne sur l'appareil ménager.

INSTRUCTIONS D'INSTALLATION

Dépose du système de transport

AVERTISSEMENT

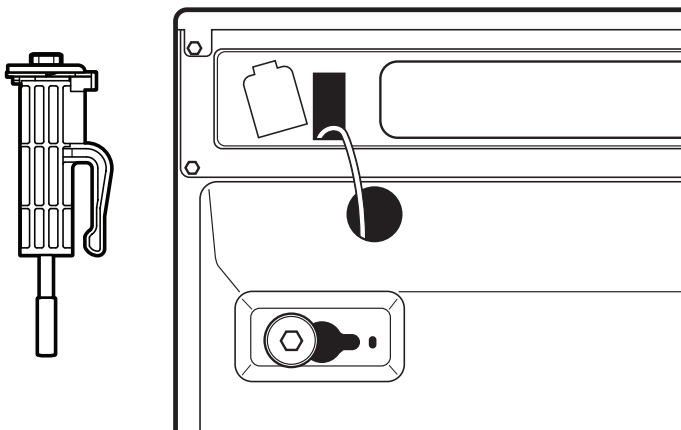
Risque du poids excessif

Utiliser deux ou plus de personnes pour déplacer et installer la laveuse.

Le non-respect de cette instruction peut causer une blessure au dos ou d'autre blessure.

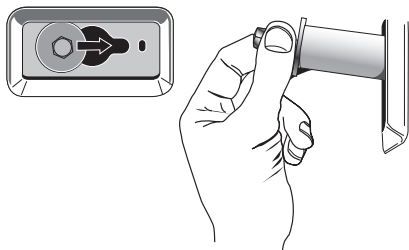
IMPORTANT : Positionner la laveuse de sorte que l'arrière de la laveuse soit à environ 3 pi (900 mm) de son emplacement final.

On trouve sur le panneau arrière de la laveuse 4 cales d'espacement bleues qui soutiennent le système de suspension durant le transport. Ces cales d'espacement bleues retiennent aussi le cordon d'alimentation électrique à l'intérieur de la laveuse jusqu'à ce que les boulons soient retirés.



Boulon d'expédition avec cale bleue

1. Laisser la laveuse en position verticale pendant que l'on ôte les cales d'espacement bleues.
2. Au moyen d'une clé de 1/2", desserrer chacun des boulons.
3. Une fois le boulon desserré, le déplacer au centre du trou et retirer complètement le boulon, y compris la cale d'espacement en plastique couvrant le boulon.

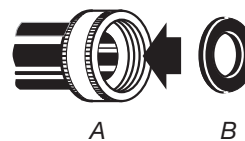


4. Une fois que les 4 boulons ont été retirés, jeter les boulons et les cales d'espacement. Puis remettre le bouchon à l'arrière de la laveuse et tirer le cordon d'alimentation électrique à travers l'ouverture gauche du panneau arrière et obturer le trou avec le bouchon fourni.
5. Obturer les trous des boulons avec les 4 bouchons pour les trous des boulons de transport.

REMARQUE : Si la laveuse doit être transportée à une date ultérieure, appeler le distributeur du produit ou l'installateur. Pour éviter des dommages concernant la suspension et la structure, votre appareil doit être correctement monté pour réinstallation ultérieure par un technicien certifié.

Raccordement des tuyaux d'alimentation

Insérer les rondelles plates neuves (fournies) dans chaque extrémité des tuyaux d'arrivée d'eau. Insérer fermement les rondelles dans les raccords.

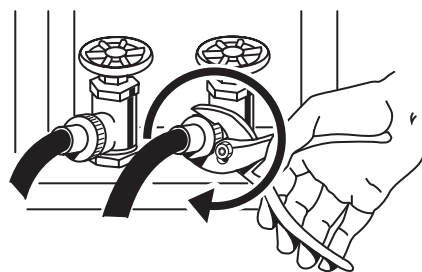


A. Raccord
B. Rondelle

Connecter les tuyaux d'alimentation aux robinets d'eau

S'assurer que le tambour de la laveuse est vide.

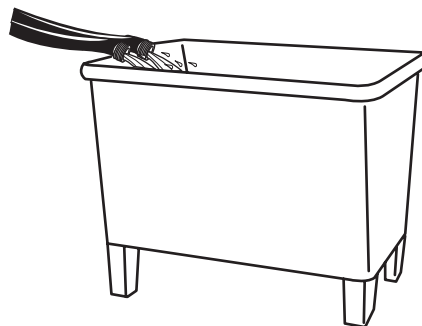
1. Fixer un tuyau au robinet d'eau chaude. Visser complètement le raccord à la main pour qu'il comprime la rondelle plate.
2. Fixer un tuyau au robinet d'eau froide. Visser complètement le raccord à la main pour qu'il comprime la rondelle plate.
3. À l'aide d'une pince, serrer les raccords en effectuant deux tiers de tour supplémentaires.



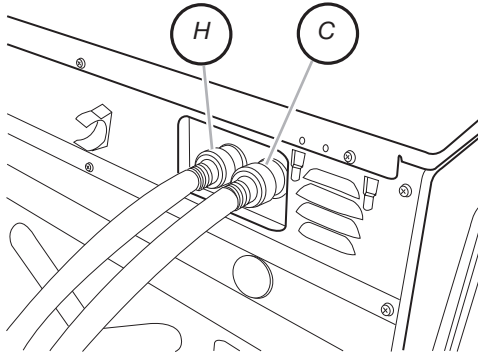
REMARQUE : Ne pas serrer excessivement ni utiliser du ruban adhésif ou un calfeutrant sur la valve. Les valves risquent d'être endommagées.

Purger les canalisations d'eau

- Laisser s'écouler l'eau des deux robinets et des tuyaux d'alimentation dans un évier de buanderie, un tuyau rigide de rejet à l'égout, ou un seau, pour éliminer les particules se trouvant dans les canalisations d'eau qui pourraient obstruer les tamis de la valve d'arrivée d'eau.
- Vérifier la température de l'eau pour s'assurer que le tuyau d'eau chaude est connecté au robinet d'eau chaude et que le tuyau d'eau froide est connecté au robinet d'eau froide.



Connecter les tuyaux d'arrivée d'eau à la laveuse



H. Tuyau d'arrivée d'eau chaude
C. Tuyau d'arrivée d'eau froide

1. Fixer le tuyau d'eau chaude à la valve du tuyau d'arrivée d'eau chaude (H) de la laveuse. Visser complètement le raccord à la main pour qu'il comprime la rondelle.
2. Fixer le tuyau d'eau froide au robinet d'eau froide (C) de la laveuse. Visser complètement le raccord à la main pour qu'il comprime la rondelle.
3. À l'aide d'une pince, serrer les raccords en effectuant deux tiers de tour supplémentaires.

REMARQUE : Ne pas serrer excessivement. Le raccord risque d'être endommagé.

4. Ouvrir les robinets d'eau complètement et vérifier s'il y a des fuites.

REMARQUE : Remplacer les tuyaux d'arrivée d'eau après 5 ans d'utilisation pour réduire le risque de défaillance. Prendre note de la date d'installation ou de remplacement des tuyaux, pour référence ultérieure.

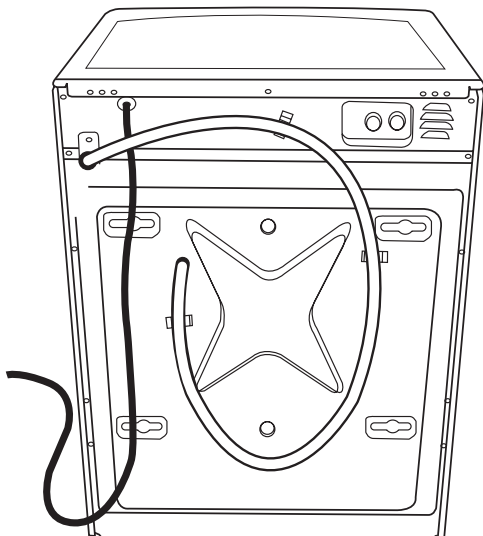
Inspecter périodiquement les tuyaux; les remplacer en cas de renflement, de déformation, de coupure, d'usure ou si une fuite se manifeste.

Acheminement du tuyau de vidange

S'assurer de faire le bon acheminement du tuyau de vidange pour éviter les fuites d'eau et les dommages au plancher. Lire et suivre ces instructions.

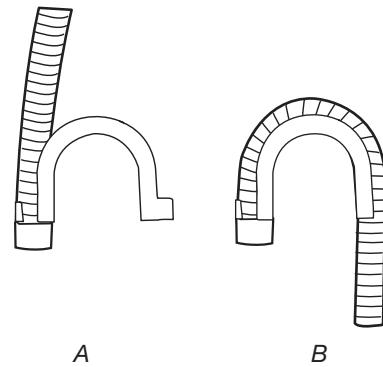
Retirer le tuyau de vidange de la laveuse

Tirer doucement pour dégager le tuyau d'évacuation (matériau ondulé) des agrafes d'arrimage.



Décharge de l'eau de lavage dans un évier de buanderie ou tuyau de rejet à l'égout

Connecter la bride de retenue pour tuyau de vidange sur le tuyau de vidange ondulé.



- A. Emboîter l'une ou l'autre des extrémités de la bride de retenue pour tuyau de vidange sur le tuyau de vidange, au point de commencement des ondulations.
- B. Replier le tuyau de vidange sur la bride de retenue du tuyau de vidange et l'emboîter dans la bride de retenue.

Pour empêcher l'eau de vidange de refluer dans la laveuse :

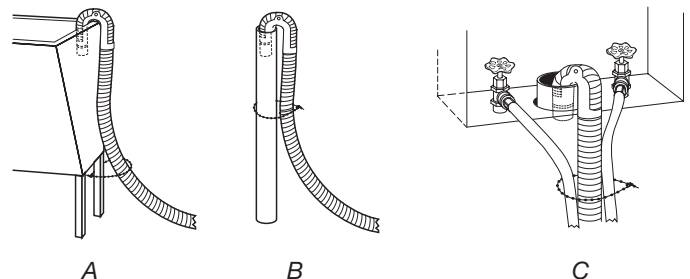
- Ne pas redresser le tuyau de vidange ni forcer l'excédent de tuyau de vidange dans le tuyau de rejet à l'égout. Le tuyau doit être bien immobilisé, tout en permettant le passage d'air.
- Ne pas mettre l'excédent du tuyau de vidange dans l'évier de buanderie.

Égout au plancher

Il vous faudra peut-être des pièces supplémentaires. Voir Égout au plancher dans "Outillage et pièces".

Immobilisation du tuyau de vidange

1. Faire passer le cordon d'alimentation électrique par-dessus la laveuse.
2. Déplacer la laveuse à son emplacement final.
3. Placer le tuyau de vidange dans l'évier de buanderie ou le tuyau de rejet à l'égout. Voir les illustrations A et B.
4. Si les robinets d'eau et le tuyau rigide de rejet à l'égout sont placés en retrait, introduire l'extrémité en crochet du tuyau de vidange dans le tuyau rigide de rejet à l'égout. Voir l'illustration C.



REMARQUES :

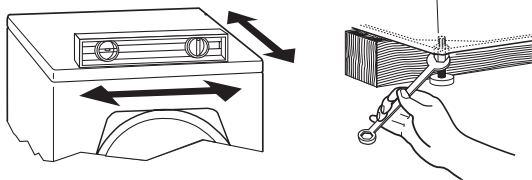
- Immobiliser le tuyau de vidange à l'aide de la courroie perlée fournie.
- Ne pas forcer l'excédent de tuyau de vidange dans l'arrière de la laveuse.

- Pour éviter un effet de siphon, ne pas assurer l'étanchéité à la jonction entre le tuyau de vidange et le tuyau de rejet à l'égout.

Réglage de l'aplomb de la laveuse

Un bon aplomb de la laveuse évite le bruit et les vibrations excessifs.

1. Placer un niveau sur le bord supérieur de la laveuse pour contrôler l'aplomb, d'abord transversalement, puis dans le sens avant arrière.



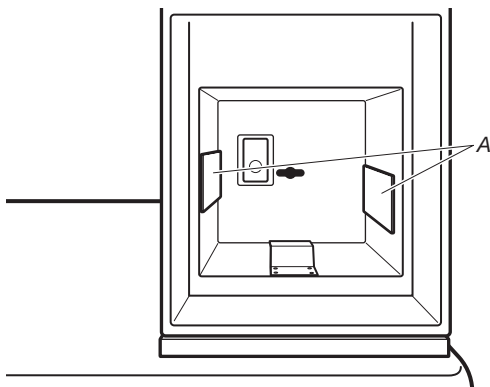
Si la laveuse est placée contre un mur, on doit l'écartier légèrement du mur avant de l'incliner vers l'arrière. Si la laveuse n'est pas d'aplomb, soulever l'avant de la laveuse avec une cale de bois et ajuster la position des pieds selon le besoin; soulever ensuite l'arrière de la laveuse et ajuster la longueur des pieds selon le besoin. Répéter ces opérations jusqu'à l'obtention d'un aplomb correct de la laveuse.

2. Vérifier que les quatre pieds sont stables et reposent sur le sol. Vérifier ensuite que l'appareil est parfaitement d'aplomb (utiliser un niveau).
3. Après avoir établi l'aplomb correct de la laveuse, utiliser une clé plate de $\frac{3}{16}$ " pour serrer fermement l'écrou de chaque pied contre la caisse de la laveuse.
IMPORTANT : Les 4 pieds doivent être bien serrés. Si les écrous ne sont pas bloqués contre la caisse de la laveuse, la laveuse peut vibrer.
4. La laveuse ne doit pas bouger d'avant en arrière, latéralement ni transversalement lorsqu'on appuie sur les bords supérieurs.
5. Faire glisser la laveuse à son emplacement final.
6. Vérifier le bon aplomb de la laveuse.

Installation des bandes de protection

REMARQUE : Pour modèles PD uniquement.

1. Retirer les 2 bandes de protection en polystyrène du sac.
2. Retirer le ruban adhésif de l'endos des bandes de protection adhésives.
3. Installer les bandes de protection sur les parois internes de gauche et de droite du coffre à pièces en laissant environ 1/4 à 1/2" d'espace près du bord avant du coffre afin de permettre à la boîte de pièces de monnaie de s'enclencher.



A. Bandes de protection en mousse

Achever l'installation

1. Consulter les spécifications électriques. Vérifier que la tension électrique disponible est correcte et que la méthode de mise à la terre recommandée a été suivie. Voir "Spécifications électriques".
2. Vérifier que toutes les pièces sont maintenant installées. S'il reste une pièce, passer en revue les différentes étapes pour découvrir laquelle aurait été oubliée.
3. S'assurer d'avoir récupéré tous vos outils.
4. Jeter ou recycler tous les matériaux d'emballage.
5. Vérifier que chaque robinet d'eau est ouvert.
6. Vérifier s'il y a des fuites autour des robinets et des tuyaux d'arrivée d'eau.

⚠ AVERTISSEMENT



Risque de choc électrique

Brancher sur une prise à 3 alvéoles reliée à la terre.

Ne pas enlever la broche de liaison à la terre.

Ne pas utiliser un adaptateur.

Ne pas utiliser un câble de rallonge.

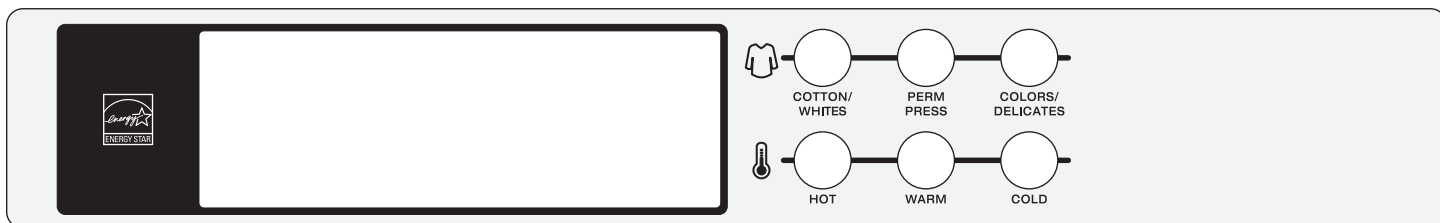
Le non-respect de ces instructions peut causer un décès, un incendie ou un choc électrique.

7. Brancher sur une prise à 3 alvéoles reliée à la terre.
8. Pour tester le fonctionnement de la laveuse ou effectuer le nettoyage, mesurer la moitié de la quantité de détergent "HE" haute efficacité recommandée par le fabricant pour une charge de taille moyenne. Verser le détergent dans le distributeur de détergent. Sélectionner n'importe quel programme et laisser la laveuse exécuter un programme complet.



Utiliser uniquement un détergent HE Haute efficacité

INSTRUCTIONS DE CONFIGURATION



REMARQUE : Après l'installation initiale et le branchement de l'appareil, l'affichage présente "0 MINUTES". Après le branchement de l'appareil et l'ouverture puis la fermeture de la porte, l'affichage présente le prix. Si la laveuse est réglée pour l'utilisation gratuite, "SELECT CYCLE" (sélectionner le programme) clignote sur l'affichage.

1. Insérer des pièces jusqu'à ce que "SELECT CYCLE" (sélectionner le programme) clignote sur l'affichage. Une carte de débit est exigée à la place des pièces en présence d'un lecteur de carte. Au mode Débit avancé, le solde restant sur la carte s'affiche lorsqu'une carte de débit est insérée dans le lecteur.
2. La porte doit rester fermée avant la sélection du programme.
3. Appuyer sur la touche de réglage du tissu pour le programme de lavage désiré. Après la mise en marche du programme, l'heure s'affichera et le compte à rebours commencera.
4. Quand un programme est interrompu durant l'ouverture de la porte, "RESELECT CYCLE" (sélectionner à nouveau le programme) clignotera sur l'affichage. Pour remettre la laveuse en marche, fermer la porte et appuyer sur n'importe quelle touche.

Information générale pour l'utilisateur

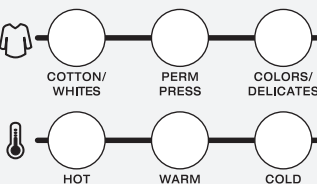
Le message "OUT OF ORDER" (ÉTAT NON OPÉRATIONNEL) APPARAÎT SUR L'AFFICHAGE, SUIVI D'UN CODE DE DÉFAILLANCE. Cet état indique que la laveuse n'est pas opérationnelle.

AFFICHAGE DE "0 MINUTES" – Ceci indique qu'il n'est pas possible de faire fonctionner l'appareil. L'information sur les pièces insérées ou les entrées de cartes de débit sera mémorisée mais ne peut être utilisée avant le rétablissement du fonctionnement normal par une manœuvre d'ouverture/fermeture de la porte. En cas de défaillance du contacteur de porte, on doit le remplacer pour pouvoir rétablir le fonctionnement normal.

COLD START (Mise en marche à froid pour la première utilisation) – L'appareil a été programmé à l'usine comme suit :

- Période de lavage de 14 minutes
- 3 rinçages (rinçage supplémentaire non activé)
- Prix du lavage : 1,75 \$

WARM START (mise en marche à chaud après une panne de courant) – Quelques secondes après le rétablissement de l'alimentation électrique, si un programme était en cours au moment de la panne, "RESELECT CYCLE" (sélectionner à nouveau le programme) clignote sur l'affichage, pour indiquer qu'il faut appuyer sur une touche pour remettre la laveuse en marche.



DOOR LOCK (verrouillage de la porte) – La porte sera verrouillée lorsque le programme se mettra en marche. La porte restera verrouillée jusqu'à la fin du programme ou pendant environ 2 minutes après une interruption d'alimentation.

PRICING (tarification) – Une fois la porte ouverte suite à un programme, l'affichage indique le prix du programme (à moins de réglage gratuit). Au fur et à mesure que les pièces sont insérées ou que les entrées de carte de débit arrivent, l'affichage indiquera les étapes à suivre par l'utilisateur pour lancer un programme.

PROGRAMMES GRATUITS – Pour ceci, on règle le prix de l'utilisation à zéro; l'affichage présente alors "SELECT CYCLE" (sélectionner un programme) plutôt que le prix d'un programme.

PRÊT POUR CARTE DE DÉBIT – Cet appareil est préconfiguré pour l'utilisation des cartes de débit; il est compatible avec plusieurs systèmes de paiement par carte de débit, mais il n'est PAS fourni avec un lecteur de carte de débit. Pour configurer correctement la machine, voir les instructions fournies par le fabricant du lecteur de carte de débit. Pour un modèle converti pour l'utilisation d'une carte de débit Génération 1, les impulsions de débit sont équivalentes à l'insertion d'une pièce (pièce 1).

Procédures de réglage des systèmes de commande

IMPORTANT : Lire la totalité des instructions avant l'utilisation.

- Modèles avec paiement par pièce : Insérer la clé de la porte d'accès, tourner et soulever pour enlever la porte d'accès.
- Avec système de paiement par carte de débit : Une fois le lecteur de carte de débit installé (selon les instructions du fabricant du lecteur), le mode de paramétrage peut être entré en insérant une carte de paramétrage manuel (fournie par le fabricant du lecteur) dans la fente pour la carte. Si une carte de paramétrage manuel n'est pas disponible, le mode de paramétrage manuel ne peut pas être entré en enlevant le connecteur AA1 sur le tableau de circuit.

Une fois que la laveuse a été réglée avec un lecteur de carte de Génération 2, il sera mis en permanence au mode dAS, et dAS sera affiché chaque fois qu'on accède au mode de paramétrage.

IMPORTANT: Si le système de paiement par carte n'a pas encore été installé, et une clé de service n'est pas disponible, débrancher la laveuse ou déconnecter la source de courant électrique avant d'ouvrir la console. Pour accéder au connecteur AA1 :

- Débrancher la laveuse ou déconnecter la source de courant électrique.
- Ouvrir la console, déconnecter la fiche sur AA1, fermer la console.
- Brancher la laveuse ou reconnecter la source de courant électrique.

La laveuse est maintenant au mode de paramétrage. Les touches de température et l'affichage numérique sont utilisés pour paramétrer les commandes. L'affichage peut contenir 4 chiffres et/ou lettres et un point décimal. Ces indications sont utilisées pour montrer les codes de paramétrage et les valeurs associées des codes disponibles pour l'utilisation dans la programmation de la laveuse.

UTILISATION DES TOUCHES POUR LA PROGRAMMATION DES SYSTÈMES DE COMMANDE

1. La touche HOT permet la sélection des valeurs associées aux codes de paramétrage. Une pression sur la touche fait augmenter la valeur par incréments; si on maintient la pression sur la touche, la valeur affichée augmente rapidement.
2. La touche WARM commande la progression parmi les codes de paramétrage. Une pression sur cette touche provoque le passage au code de paramétrage suivant; une pression constante sur la touche commande le défilement automatique des codes à raison de un code par seconde.
3. La touche COLD permet de sélectionner/désélectionner les options.

Paramétrage pour mise en marche

REMARQUE : Avant l'utilisation, un système de paiement ou une trousse OPL doit être installé(e).

Avant de poursuivre, il est bon de noter que malgré le grand nombre d'options disponibles, le propriétaire de l'appareil peut décider tout simplement de débarrer sa nouvelle laveuse commerciale, la raccorder, la brancher et la rendre opérationnelle. Les laveuses sont pré-réglées à l'usine pour une période de lavage de 14 minutes et pour 3 rinçages (aucun rinçage supplémentaire).

CODES DE PARAMÉTRAGE

La touche WARM (tiède) permet de passer d'un code à un autre. La touche HOT (chaude) permet de changer de valeur de code. La touche COLD (froide) permet de sélectionner/désélectionner les options.

REMARQUE : Les codes de paramétrage sont les mêmes pour tous les modèles excepté si noté.

Le code de paramétrage est indiqué par l'un ou les deux caractères sur la gauche. La valeur du code de paramétrage est indiquée par les deux ou trois caractères sur la droite.

CODE	EXPLICATION
6 01	PRIX DE PROGRAMME ORDINAIRE
6 01	Représente le nombre de pièces glissées pour mettre en marche la laveuse. 6 01 équivaut à une activation de une pièce glissée.
6 07	Lorsque d.xx est réglé à d.00, cette valeur 6 xx représente le nombre de pièces de 0,25 \$ (pièce 1) nécessaire pour mettre en marche la laveuse; réglage possible entre 0 et 39. Changer cette valeur en appuyant sur la touche HOT (chaude). 6 07 = 7 pièces de 0,25 \$ = 1,75 \$.
	→ Appuyer une fois sur la touche WARM (tiède) pour passer au code suivant.
8 00	OPTION DE RINÇAGE SUPPLÉMENTAIRE Cette option peut être SÉLECTIONNÉE ('ON') ou PAS SÉLECTIONNÉE ('OFF').
8 00	Pas sélectionnée ('OFF').
8 Ar	Sélectionnée ('ON'). Appuyer une fois sur la touche COLD (froide) pour cette sélection.
	→ Appuyer une fois sur la touche WARM (tiède) pour passer au code suivant.

CODE	EXPLICATION
9 00	OPTION DE COMPTAGE DU NOMBRE DE PROGRAMMES Cette option peut être SÉLECTIONNÉE ('ON') ou PAS SÉLECTIONNÉE ('OFF').
9 00	Pas sélectionnée ('OFF').
9 0C	Option sélectionnée ('ON') et impossibilité de désélection. Appuyer 3 fois consécutives sur la touche COLD (froide) pour sélectionner 'ON'. Lorsque ('ON') a été sélectionné, on ne peut pas le désélectionner. → Appuyer une fois sur la touche WARM (tiède) pour passer au code suivant.
1. 00	OPTION COMPTEUR DE MONNAIE Cette option peut être SÉLECTIONNÉE ('ON') ou PAS SÉLECTIONNÉE ('OFF').
1. 00	Pas sélectionnée ('OFF').
1. 0C	Sélectionnée ('ON'). Appuyer 3 fois consécutives sur la touche COLD (froide) pour sélectionner 'ON'; appuyer 3 fois consécutives sur la touche pour désélectionner l'option. Le compteur passe de 'OFF' (inactivé) à 'ON' (activé). → Appuyer une fois sur la touche WARM (tiède) pour passer au code suivant.
1. C0	Sélectionnée ('ON') et impossibilité de désélection. Pour sélectionner 'ON' avec impossibilité de désélection, sélectionner d'abord 'ON'; puis en moins de 2 secondes, appuyer deux fois sur la touche COLD (froide), et une fois sur la touche HOT (chaude), et quitter le mode de paramétrage.
2. 00	OPTIONS DE PRIX SPÉCIAL Cette option peut être SÉLECTIONNÉE ('ON') ou PAS SÉLECTIONNÉE ('OFF').
2. 00	Pas sélectionnée ('OFF').
2. SP	Sélectionnée ('ON'). Appuyer une fois sur la touche COLD (froide) pour cette sélection.

Si l'OPTION DE PRIX SPÉCIAL est sélectionnée, on a accès aux codes '3.XX' à '9.XX' inclusivement.

→ Appuyer une fois sur la touche WARM (tiède) pour passer au code suivant.

Options à utiliser si PRIX SPÉCIAL est sélectionné :

3. 01	PRIX POUR PROGRAMME SPÉCIAL
3. 01	Ceci représente le nombre de pièces glissées pour mettre en marche la laveuse. 3.01 équivaut à 1 pièce glissée.
3. 07	Lorsque d.xx est réglé à d.00, cette valeur 3.xx représente le nombre de pièces de 0,25 \$ (pièce 1) nécessaire pour mettre en marche la laveuse; réglage possible entre 0 et 39. Changer cette valeur en appuyant sur la touche HOT (chaude). 3.07 = 7 pièces de 0,25 \$ = 1,75 \$.
	→ Appuyer une fois sur la touche WARM (tiède) pour passer au code suivant.

CODE	EXPLICATION																								
Options à utiliser si PRIX SPÉCIAL est sélectionné (suite) :																									
5. 00	HORLOGE, MINUTES																								
5. 00	Ceci règle le nombre de minutes pour l'HORLOGE; sélectionner entre 0 et 59 minutes en appuyant sur la touche HOT (chaude). → Appuyer une fois sur la touche WARM (tiède) pour passer au code suivant.																								
6. 00	HORLOGE, HEURES REMARQUE : Utilisation de l'heure militaire ou du format 24 h																								
6. 00	Ceci règle le nombre d'heures pour l'HORLOGE; sélectionner entre 0 et 23 heures en appuyant sur la touche HOT (chaude). → Appuyer une fois sur la touche WARM (tiède) pour passer au code suivant.																								
7. 00	PRIX SPÉCIAL - HEURE DE COMMENCEMENT REMARQUE : Utilisation de l'heure militaire ou du format 24 h																								
7. 00	Ceci règle l'heure de commencement; entre 0 et 23 heures. Sélectionner START HOUR (heure de commencement) en appuyant sur la touche HOT (chaude). → Appuyer une fois sur la touche WARM (tiède) pour passer au code suivant.																								
8. 00	PRIX SPÉCIAL - HEURE D'EXPIRATION REMARQUE : Utilisation de l'heure militaire ou du format 24 h																								
8. 00	Ceci règle l'heure d'expiration; entre 0 et 23 heures. Sélectionner STOP HOUR (heure d'expiration) en appuyant sur la touche HOT (chaude). → Appuyer une fois sur la touche WARM (tiède) pour passer au code suivant.																								
9. 10	JOUR POUR PRIX SPÉCIAL																								
9. 10	Ceci représente le jour de la semaine sélectionné, et la sélection de la tarification spéciale pour ce jour. Un chiffre suivi de "0" indique que cette option n'est pas sélectionnée pour ce jour particulier concerné (9.10). Un chiffre suivi d'un "S" indique que cette option est sélectionnée pour le jour concerné (9.1S). Pour changer la valeur de "0" et de "S", utiliser la touche "COLD". Pour sélectionner les jours de la semaine (1 à 7), appuyer sur la touche HOT. À la sortie du code de configuration "9", le jour de la semaine doit s'afficher : <table border="1"> <thead> <tr> <th>AFFICHAGE</th> <th>JOUR DE LA SEMAINE</th> <th>CODE (sélectionné)</th> </tr> </thead> <tbody> <tr> <td>10</td> <td>Jour 1 = Dimanche</td> <td>1S</td> </tr> <tr> <td>20</td> <td>Jour 2 = Lundi</td> <td>2S</td> </tr> <tr> <td>30</td> <td>Jour 3 = Mardi</td> <td>3S</td> </tr> <tr> <td>40</td> <td>Jour 4 = Mercredi</td> <td>4S</td> </tr> <tr> <td>50</td> <td>Jour 5 = Jeudi</td> <td>5S</td> </tr> <tr> <td>60</td> <td>Jour 6 = Vendredi</td> <td>6S</td> </tr> <tr> <td>70</td> <td>Jour 7 = Samedi</td> <td>7S</td> </tr> </tbody> </table> → Appuyer une fois sur la touche WARM (tiède) pour passer au code suivant.	AFFICHAGE	JOUR DE LA SEMAINE	CODE (sélectionné)	10	Jour 1 = Dimanche	1S	20	Jour 2 = Lundi	2S	30	Jour 3 = Mardi	3S	40	Jour 4 = Mercredi	4S	50	Jour 5 = Jeudi	5S	60	Jour 6 = Vendredi	6S	70	Jour 7 = Samedi	7S
AFFICHAGE	JOUR DE LA SEMAINE	CODE (sélectionné)																							
10	Jour 1 = Dimanche	1S																							
20	Jour 2 = Lundi	2S																							
30	Jour 3 = Mardi	3S																							
40	Jour 4 = Mercredi	4S																							
50	Jour 5 = Jeudi	5S																							
60	Jour 6 = Vendredi	6S																							
70	Jour 7 = Samedi	7S																							

CODE	EXPLICATION
A. 00	OPTION AFFICHAGE DU CONTENU DU COFFRE Cette option peut être SÉLECTIONNÉE ('ON') ou PAS SÉLECTIONNÉE ('OFF').
A. 00	Pas sélectionnée ('OFF').
A. SC	Sélectionnée ('ON'). Appuyer une fois sur la touche COLD (froide) pour cette sélection. Lorsque l'option est sélectionnée, le montant d'argent et/ou le nombre de programmes (si on a sélectionné le comptage) est visible lorsque la boîte à pièces a été enlevée. → Appuyer une fois sur la touche WARM (tiède) pour passer au code suivant.
b. 35	VALEUR DE LA PIÈCE DE MONNAIE 1
b. 35	Ceci représente la valeur de la pièce 1 en multiples de 0,05 \$: 35 = 1,75 \$. Ceci égale le prix nécessaire pour mettre en marche la laveuse. Cette valeur est affichée comme prix de vente. Lorsque d.xx est réglé à d.00, cette valeur b.xx représente la valeur de la pièce 1 en 0,05 \$; réglage possible entre 1 et 199. Changer cette valeur en appuyant sur la touche HOT (chaude). → Appuyer une fois sur la touche WARM (tiède) pour passer au code suivant.
C. 35	VALEUR DE LA PIÈCE DE MONNAIE 2
C. 35	Ceci représente la valeur de la pièce 2 en multiples de 0,05 \$: 35 = 1,75 \$. En appuyant sur la touche HOT (chaude), vous avez l'option de 1 à 199 pièces de 0,05 \$. → Appuyer une fois sur la touche WARM (tiède) pour passer au code suivant.
d. CS	OPTION GLISSIÈRE À PIÈCES Cette option peut être SÉLECTIONNÉE ('ON') ou PAS SÉLECTIONNÉE ('OFF').
d. CS	Sélectionnée ('ON'). Lorsqu'on sélectionne le mode de glissière à pièces ('ON'), paramétrer une valeur 'b.' égale à la valeur du prix de vente, en multiples de 0,05 \$. Paramétrer à l'étape 6 xx (prix pour programme ordinaire) et paramétrer le code 3.xx (prix pour programme spécial) au nombre de manœuvres de la glissière. Si la laveuse est paramétrée 'CS' sur un modèle à pièce installé, l'appareil n'enregistrera pas les pièces.
d. 00	Pas sélectionnée ('OFF'). Utilisée quand la laveuse est réglée comme OPL, ou avec une glissière à pièces ou un lecteur de carte. → Appuyer une fois sur la touche WARM (tiède) pour passer au code suivant.

CODE	EXPLICATION
E. 00	OPTION AJOUT DE PIÈCES Cette option peut être SÉLECTIONNÉE ('ON') ou PAS SÉLECTIONNÉE ('OFF'). Cette option commande l'affichage du nombre de pièces (pièce 1) à insérer, plutôt que d'un montant en dollars et cents.
E. 00	Pas sélectionnée ('OFF').
E. AC	Sélectionnée ('ON'). Appuyer 3 fois consécutives sur la touche COLD (froide) pour cette sélection.
→	Appuyer une fois sur la touche WARM (tiède) pour passer au code suivant.
F. 00	OPTION TARIFICATION AMÉLIORÉE
F. 00	Pas sélectionnée ('OFF').
F. CP	Activation de la tarification selon le programme. Cette option permet de configurer l'appareil avec des prix différents pour les programmes de lavage avec eau froide, eau tiède, et eau chaude.
→	Appuyer une fois sur la touche WARM (tiède) pour passer au code suivant.
J. Cd	OPTION PIÈCES/DÉBIT
J. Cd	Sélection du paiement par pièces et par carte de débit. Appuyer 3 fois consécutives sur la touche COLD (froide) pour changer cette sélection.
J. C_	Paiement par pièces sélectionné, paiement par carte de débit désactivé. Appuyer 3 fois consécutives sur la touche COLD (froide) pour changer cette sélection.
J. _d	Paiement par carte de débit sélectionné, paiement par pièces désactivé. Appuyer 3 fois consécutives sur la touche COLD (froide) pour changer cette sélection.
J. Ed	L'option de paiement améliorée/carte de débit est auto-sélectionnée lors de l'installation d'un lecteur de carte Génération 2 sur la laveuse. On ne peut sélectionner/désélectionner manuellement l'option Ed.
→	Appuyer une fois sur la touche WARM (tiède) pour passer au code suivant.
L. 00	OPTION SUPPRESSION DU PRIX Lorsque cette option est sélectionnée, l'affichage présente le message "ADD" (ajouter) ou "AVAILABLE" (disponible) plutôt que le montant monétaire à ajouter. (Utilisation principalement avec l'emploi du paiement par carte de débit.)
L. 00	Pas sélectionnée ('OFF').
L. PS	Sélectionnée ('ON'). Appuyer une fois sur la touche COLD (froide) pour cette sélection.
→	Appuyer une fois sur la touche WARM (tiède) pour passer au code suivant.
n. CE	OPTION EFFACEMENT DU MONTANT MÉMORISÉ Lorsque cette option est sélectionnée, un montant conservé en mémoire est effacé après 30 minutes sans autre activité.
00	Pas sélectionnée ('OFF').
CE	Sélectionnée ('ON'). Appuyer une fois sur la touche COLD (froide) pour cette sélection.
→	Appuyer une fois sur la touche WARM (tiède) pour passer au code suivant.

CODE	EXPLICATION
U. 00	INCRÉMENT CENTIME
U. 00	Ceci représente la valeur de l'incrément de prix utilisé sur le modèle Génération 2 (paiement par carte de débit/amélioration). Appuyer sur la touche HOT pour sélectionner une valeur comprise entre 0 et 4 centimes.
→	Appuyer une fois sur la touche WARM (tiède) pour passer au code suivant.
A1. 00	DURÉE DE PRÉLAVAGE
A1. 00	Nombre de minutes de la période de PRÉLAVAGE. Sélectionner 0 pour désactiver le pré lavage ou sélectionner entre 2 et 7 minutes en appuyant sur la touche HOT (chaude).
→	Appuyer une fois sur la touche WARM (tiède) pour passer au code suivant.

Si le compteur du programme (9 0C) est sélectionné, ce qui suit est vrai :

1 00 Représente le nombre de programmes en CENTAINES. 1 02 = 200

2 00 Représente le nombre de programmes en UNITÉS. 2 25 = 25

TOTAL = 225 programmes

Cette information est "SEULEMENT AFFICHÉE" et ne peut pas être effacée.

Appuyer une fois sur la touche WARM (tiède) pour passer au code suivant.

Si le compteur de monnaie (1.0C ou 1.C0) est sélectionné, ce qui suit est vrai :

3 00 Nombre de dollars, en CENTAINES. 3 01 = 100 \$

4 00 Nombre de dollars, en UNITÉS. 4 68 = 68 \$

5 00 Nombre de CENTIMES. 5 75 = 0,75 \$

TOTAL = 168,75 \$

FIN DES PROCÉDURES DE CONFIGURATION

POUR QUITTER LE MODE DE PARAMÉTRAGE

Pour tous les modèles : Réinstaller la porte d'accès.

Si le connecteur AA1 a été enlevé pour l'accès au code de paramétrage :

→ Débrancher la laveuse ou déconnecter la source de courant électrique.

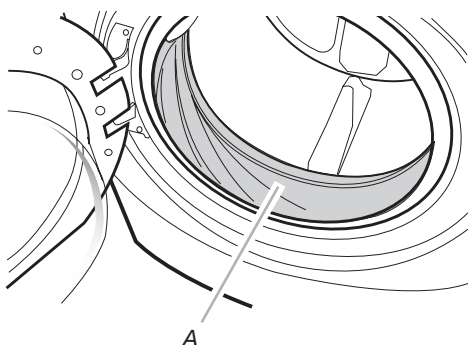
→ Ouvrir la console, réinsérer la fiche sur AA1, fermer la console.

→ Brancher la laveuse ou reconnecter la source de courant électrique.

NETTOYAGE DE LA LAVEUSE

Nettoyage du joint/soufflet de la porte

1. Ouvrir la porte de la laveuse et retirer tout vêtement ou article de la laveuse.
2. Inspecter la porte de verre interne. Si l'on note la présence de résidus, essuyer les résidus avec un chiffon humide.
3. Examiner le joint/soufflet de couleur entre l'ouverture de la porte et le panier pour déceler des zones tachées. Tirer sur le joint/soufflet pour examiner toutes les zones sous le joint/soufflet et voir s'il n'y a pas d'objets étrangers.



A. Joint/soufflet

4. Si des zones tachées sont décelées, essuyer ces zones en respectant la procédure indiquée ci-dessous.
 - a) Mélanger une solution diluée en utilisant $\frac{3}{4}$ de tasse (177 mL) d'agent de blanchiment au chlore liquide et 1 gal. (3,8 L) d'eau tiède du robinet.
 - b) Essuyer la zone du joint/soufflet avec la solution diluée, en utilisant un chiffon humide.
 - c) Laisser agir pendant 5 minutes.
 - d) Essuyer la zone complètement avec un chiffon sec et laisser l'intérieur de la laveuse sécher avec la porte ouverte.

IMPORTANT :

- Porter des gants en caoutchouc en cas de nettoyage pendant une période prolongée.
- Consulter les instructions du fabricant de l'agent de blanchiment pour une utilisation correcte.

Procédure d'entretien de la laveuse

Cette laveuse comporte un programme spécial qui utilise des volumes d'eau plus importants en combinaison avec un agent de blanchiment au chlore liquide pour nettoyer en profondeur l'intérieur de la laveuse.

REMARQUES :

- Lire ces instructions complètement avant de débiter la procédure de nettoyage.
- Si nécessaire, le programme de nettoyage peut être interrompu en appuyant deux fois sur le bouton COLD. Cependant, ceci n'arrêtera pas immédiatement le programme. La machine poursuivra avec plusieurs rinçages et vidanges afin d'évacuer toute trace d'agent de blanchiment de la laveuse.

Début de la procédure

1. Ouvrir la porte de la laveuse et retirer tout vêtement ou article de la laveuse.
2. Ouvrir le tiroir distributeur et ajouter immédiatement 2/3 de tasse (160 mL) d'agent de blanchiment au chlore liquide dans le compartiment d'agent de blanchiment.

REMARQUE : Ne pas verser de détergent pour ce programme. L'utilisation de plus de $\frac{2}{3}$ de tasse (160 mL) d'agent de blanchiment occasionnera, avec le temps, des dommages à l'appareil.

3. Fermer la porte de la laveuse et le tiroir distributeur.
4. Pour mettre en marche le programme Clean Washer (nettoyage de la laveuse), entrer d'abord dans "Start Operating Setup". Puis appuyer sur COLD pendant 1 seconde. Alors que l'ensemble de l'affichage clignote, appuyer sur COLORS/DELICATES.

REMARQUE : La porte se verrouille, le panier tourne de 1/2 tour puis la porte se déverrouille, se verrouille à nouveau, et ensuite le programme se poursuit.

- La machine ne se remplit pas d'eau mais le panier tourne alors que la laveuse effectue un court programme de détection. Ceci prend environ 3 minutes.
5. Le programme détermine si des vêtements ou d'autres articles se trouvent dans la laveuse.
 - a) Si aucun article n'est détecté dans la laveuse, il passe à l'étape 7.
 - b) Si des articles sont détectés dans la laveuse, "rL" (enlever la charge) ou "F-34" s'affiche. Ensuite la porte se déverrouille.
 - Appuyer sur COLD pour annuler le code de défaillance. Puis répéter les étapes 1, 3, et 4 pour remettre le programme en marche.
 6. Une fois que le programme a commencé, laisser le programme s'achever.
 7. À la fin du programme, laisser la porte légèrement ouverte, pour permettre une meilleure ventilation et le séchage de l'intérieur de la laveuse.

Toujours suivre la procédure qui suit pour préserver la fraîcheur de la laveuse

- Utiliser uniquement un détergent "HE" Haute efficacité.
- Laisser la porte légèrement ouverte après chaque programme pour permettre une meilleure ventilation et le séchage de l'intérieur de la laveuse.
- Nettoyer la laveuse chaque mois selon la Procédure d'entretien de la laveuse, en utilisant 2/3 de tasse (160 mL) d'agent de blanchiment au chlore liquide.
- Si la procédure ne permet pas de remédier suffisamment aux problèmes de fraîcheur de la machine, veuillez examiner les conditions d'installation et d'utilisation pour déceler d'autres causes.

Nettoyage de l'extérieur

Utiliser une éponge ou un chiffon doux humide pour essuyer les renversements. Essuyer occasionnellement les surfaces externes de la laveuse pour maintenir son apparence d'appareil neuf. Utiliser un savon doux et de l'eau. Ne pas utiliser des produits abrasifs.

Nettoyage du tiroir distributeur

Le tiroir distributeur est amovible pour faciliter le nettoyage.

1. Déverrouiller le tiroir distributeur en appuyant sur le levier de dégagement. Retirer le tiroir.
2. Ôter les pièces incluses (le siphon des compartiments de l'assouplissant de tissu et de l'agent de blanchiment).
3. Laver les pièces sous l'eau du robinet.
REMARQUE : Ne pas laver les composants au lave-vaisselle.
4. Réinstaller les pièces incluses et remettre le distributeur dans le tiroir.

Tuyaux d'arrivée d'eau

Remplacer les tuyaux d'arrivée d'eau après 5 ans d'utilisation pour réduire le risque de défaillance des tuyaux. Inspecter périodiquement les tuyaux; les remplacer en cas de renflement, de déformation, de coupure, et d'usure ou si une fuite se manifeste.

Lors du remplacement des tuyaux d'arrivée d'eau, inscrire la date du remplacement au marqueur indélébile.

ASSISTANCE OU SERVICE

Si vous avez besoin d'assistance :

Contactez le distributeur auprès duquel la laveuse a été achetée ou consultez www.whirlpoolcommerciallaundry.com

Lors de l'appel, vous aurez besoin des numéros de modèle et de série de la laveuse. Vous trouverez ces deux numéros sur la plaque signalétique située sur l'appareil.

GARANTIE DE LA BUANDERIE COMMERCIALE WHIRLPOOL :

CAM2752, CEM2750, CGM2751, CAM2762, CEM2760, CGM2761, CSP2760, CSP2761, CEW9100, CGW9100, CHW9900

GARANTIE LIMITÉE

Pendant les trois premières années à compter de la date d'achat, lorsque cet appareil commercial est installé, utilisé et entretenu conformément aux instructions jointes à ou fournies avec le produit, Whirlpool Corporation (ci-après désignée "Whirlpool") paiera pour les pièces spécifiées par l'usine ou les pièces d'origine du fabricant de l'appareil pour corriger les vices de matériaux ou de fabrication qui étaient déjà présents lorsque cet appareil commercial a été acheté. LE SEUL ET EXCLUSIF RECOURS DU CLIENT DANS LE CADRE DE LA PRÉSENTE GARANTIE LIMITÉE CONSISTE EN LA RÉPARATION PRÉVUE CI-DESSUS. Une preuve de la date d'achat original est exigée pour obtenir un service dans le cadre de la présente garantie.

WHIRLPOOL NE PRENDRA PAS EN CHARGE

La présente garantie limitée ne couvre pas :

1. Les frais y compris les frais de transport, d'expédition, ou les frais de douanes pour les pièces sous garantie.
 2. Les visites de service pour rectifier l'installation de l'appareil commercial, montrer à l'utilisateur comment utiliser l'appareil commercial, remplacer ou réparer des fusibles ou rectifier le câblage ou la plomberie du domicile.
 3. Les pièces de rechange ou la main-d'œuvre lorsque l'appareil commercial est utilisé à des fins autres que l'usage commercial normal, ou lorsque les instructions d'installation et/ou les instructions de l'opérateur ou de l'utilisateur fournies ne sont pas respectées.
 4. Les dommages imputables à : manipulation incorrecte du produit au cours de la livraison, vol, accident, modification, usage impropre ou abusif, incendie, inondation, actes de Dieu, installation fautive ou installation non conforme aux codes d'électricité ou de plomberie locaux, ou l'utilisation de produits non approuvés par Whirlpool.
 5. Le ramassage et la livraison. Cet appareil commercial est conçu pour être réparé sur place.
 6. Les réparations aux pièces ou systèmes résultant d'une modification non autorisée faite à l'appareil commercial.
 7. La dépose et la réinstallation de votre appareil commercial si celui-ci est installé dans un endroit inaccessible ou n'est pas installé conformément aux instructions d'installation fournies.
 8. Les dommages dus à l'exposition à des substances chimiques.
 9. Les modifications apportées au bâtiment, à la pièce ou aux lieux afin de permettre à l'appareil commercial de fonctionner correctement.
-

CLAUSE D'EXONÉRATION DE RESPONSABILITÉ AU TITRE DES GARANTIES IMPLICITES

LES GARANTIES IMPLICITES, Y COMPRIS LES GARANTIES IMPLICITES APPLICABLES DE QUALITÉ MARCHANDE OU D'APTITUDE À UN USAGE PARTICULIER, SONT LIMITÉES À TROIS ANS OU À LA PLUS COURTE PÉRIODE AUTORISÉE PAR LA LOI. Certaines juridictions ne permettent pas les limitations de la durée des garanties implicites de qualité marchande ou d'aptitude à un usage particulier, de sorte que cette limitation peut ne pas s'appliquer dans votre cas. Cette garantie vous confère des droits juridiques spécifiques et vous pouvez également jouir d'autres droits qui peuvent varier d'une juridiction à une autre.

LIMITATION DES RECOURS; EXCLUSION DES DOMMAGES FORTUITS OU INDIRECTS

LE SEUL ET EXCLUSIF RECOURS DU CLIENT DANS LE CADRE DE LA PRÉSENTE GARANTIE LIMITÉE CONSISTE EN LA RÉPARATION PRÉVUE CI-DESSUS. WHIRLPOOL N'ASSUME AUCUNE RESPONSABILITÉ POUR LES DOMMAGES FORTUITS OU INDIRECTS. Certaines juridictions ne permettent pas l'exclusion ou la limitation des dommages fortuits ou indirects, de sorte que ces exclusions ou limitations peuvent ne pas s'appliquer dans votre cas. Cette garantie vous confère des droits juridiques spécifiques et vous pouvez également jouir d'autres droits qui peuvent varier d'une juridiction à une autre.

Si vous avez besoin de service, veuillez contacter votre distributeur de buanderie commerciale Whirlpool autorisé. Pour localiser votre distributeur de buanderie commerciale Whirlpool autorisé, ou pour toute question par Internet, consultez www.WhirlpoolCommercialLaundry.com.

5/08

Pour toute correspondance écrite :

Whirlpool Commercial Laundry Service Department
2000 N M 63
Benton Harbor, MI 49022-2632 USA