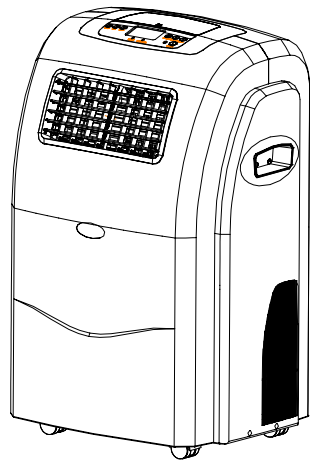




MOBILE AIR CONDITIONER

USER'S MANUAL



Read Rules for Safe Operation and Instructions Carefully

CONTENTS

1. SAFETY RULES	2
2. NAME OF PARTS	3
3. ACCESSORIES	3
4. OPERATION PANEL OF THE AIR CONDITIONER	4-5
5. OPERATION AND INDICATION SECTIONS OF REMOTE CONTROLLER	6-7
6. OPERATION METHOD.....	8-10
7. KEY-OPERATING INSTRUCTION FOR THE AIR CONDITIONER.....	11-13
8. INSTALLATION	13-15
9. MAINTENANCE	15
10.TROUBLE SHOOTING	16

SAFETY RULES

1. Do not connect unit to any AC socket in disrepair.
2. Do not use in the following locations:
 - A: Next to source of fire
 - B: An area where oil is likely to splash.
 - C: An area exposed to direct sunlight.
 - D: An area where water is likely to splash.
 - E: Near a bath, a shower or a swimming pool.
3. Never insert your fingers or any foreign objects into the air outlet. Take special care to warn children of these dangers.
4. Always store the unit upright in order to maintain the compressor in a proper condition.
5. Be sure to unplug the unit before cleaning.
6. The heater must not be located immediately below a socket outlet.
7. If the appliance is covered, there is a risk of overheating.
8. If the plug or electrical cord is damaged, it must be replaced by a repair shop appointed by the manufacturer, because special purpose tools are required.

NOTE: The air-conditioner can be connected only a supply system impedance of no more than 0.4582 ohm. If unsure, please consult your supply authority for system impedance information.

NAME OF PARTS

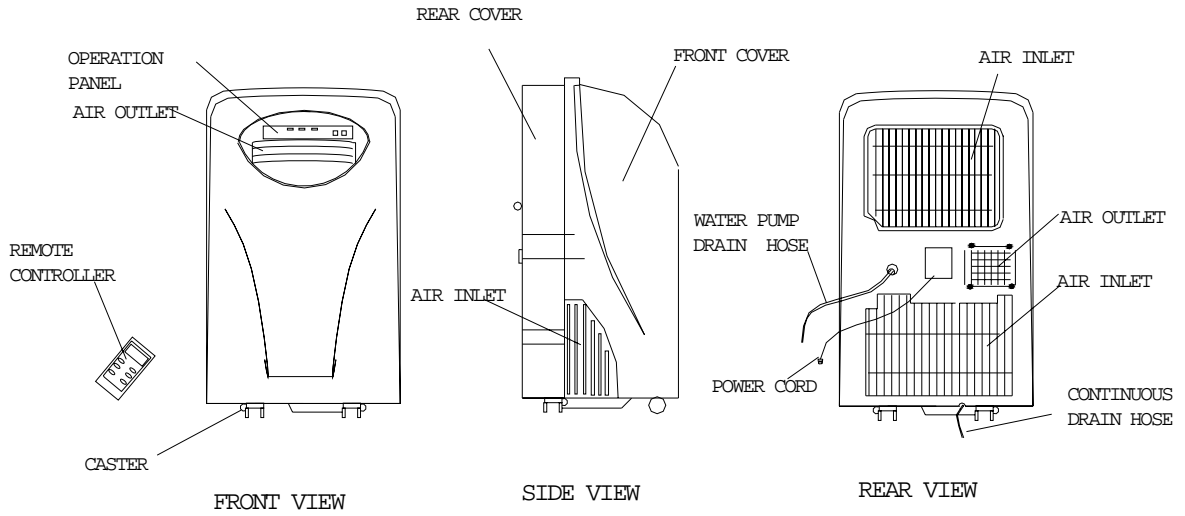


Fig.1

ACCESSORIES

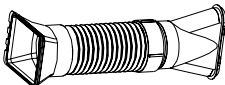


PARTS	PARTS NAME	QUANTITY
	DUCT ASSEMBLY	1
	INSTALLTION PLATE	2
	WATER PUMP DRAIN HOSE	1

Fig.2

Check all the accessories are included in the package and please refer to the installation instructions for their usage.

● **B model display indicators :**

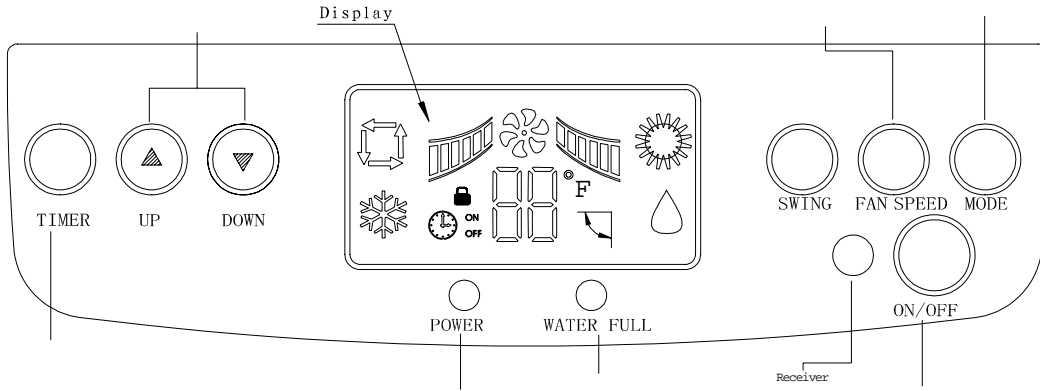


Fig.5

DISPLAY:

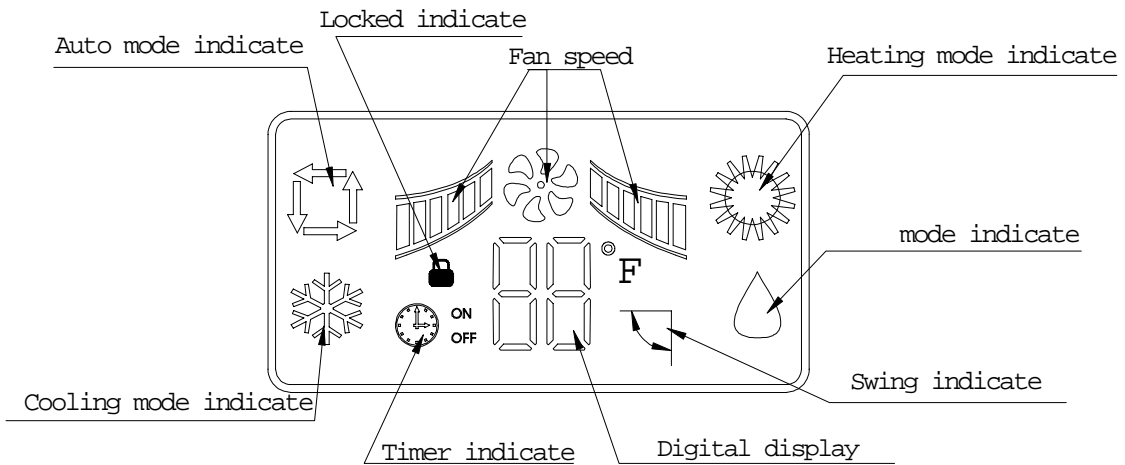
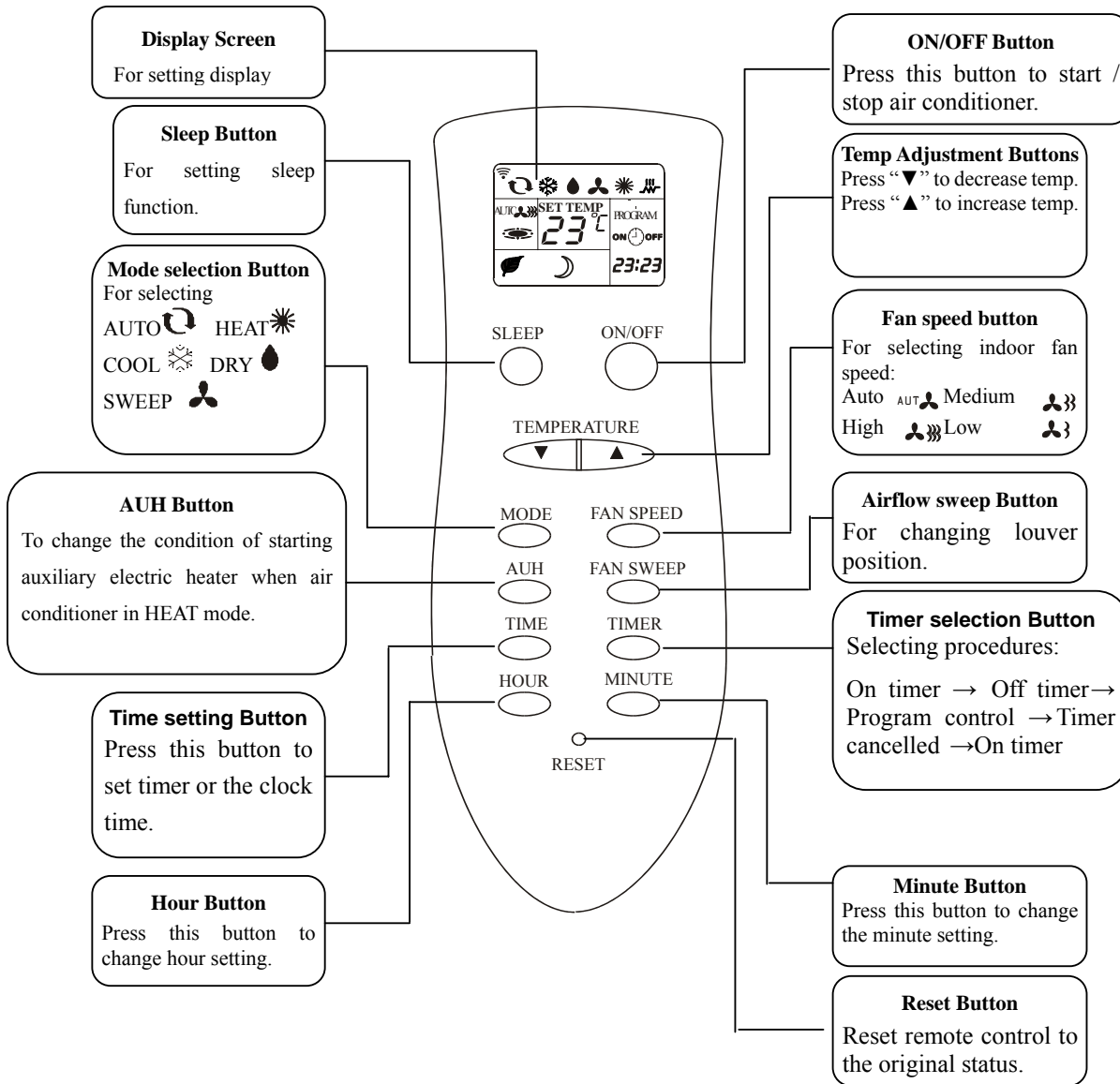


Fig.6

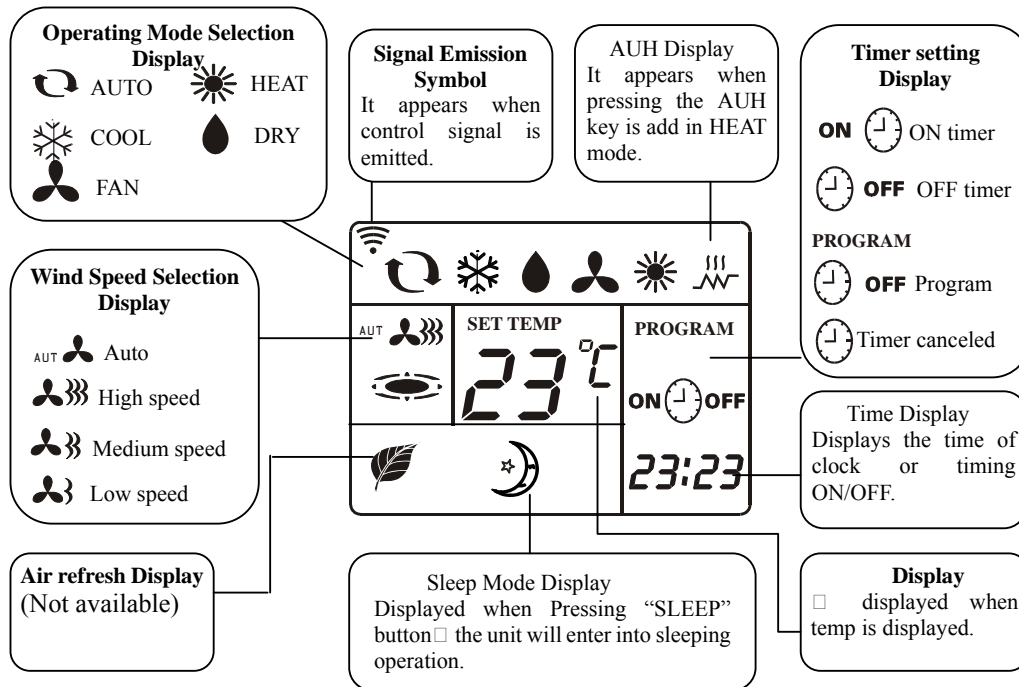
- Note:**
- 1.The Auto □ Cooling □ Heating □ Dry mode indicators will not display in the Fan mode.
 - 2.The relevant display light according the set content by remote controller.
 - 3.Air conditioner does not operate normally when set temperature indicator displays unnormally, please contact with the distributor for service.
- <<Could you remove #2, #3 above? I do not understand what they mean.>>

OPERATION OF THE REMOTE CONTROL



Remarks: Temperature can be set between 60□~89□.

□ Remote Controller Display □

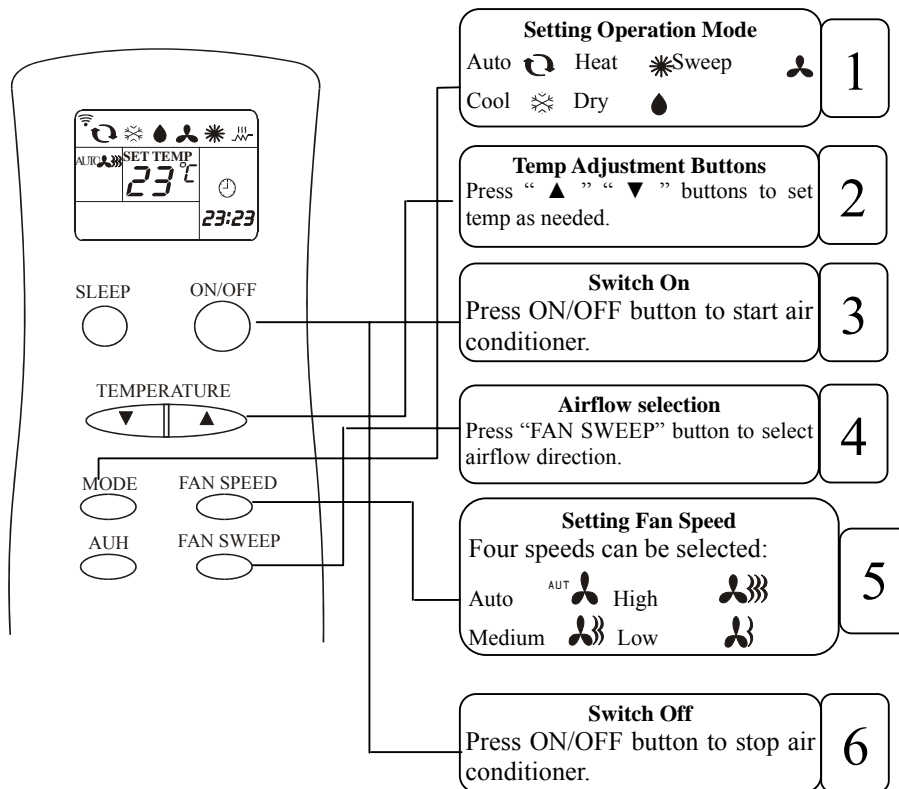


Instructions for the remote controller

- The remote controller uses two AAA alkaline batteries. Under normal condition, the batteries last for about 6 months. Please use two new batteries of similar type (pay attention to the poles in installing). After replacing the batteries, please use a point object (such as pen tip) to press "Reset" button.
- The effective control distance of the remote controller is about 8 yards.
- When using the remote controller, please point the signal emitter towards the air conditioner receiver; There should be no obstacles between the remote controller and the air conditioner.
- Do not press two buttons simultaneously on the remote control.
- Do not use wireless equipment (such as mobile phone) near the air conditioner. If interference occurs because of this, please switch off the air conditioner, pull out power plug, then plug again and switch on after a while.
- If direct sunlight is hitting the the receiver on the air conditioner it may not be able to receive the signal from the remote controller.
- Take care not to drop the remote control and keep from direct sunlight or heat sources.
- Keep the remote control dry, if it gets wet use a soft, dry cloth for cleaning.
- The batteries must be removed from the remote control before it is scrapped and disposed of safely.

OPERATION METHOD

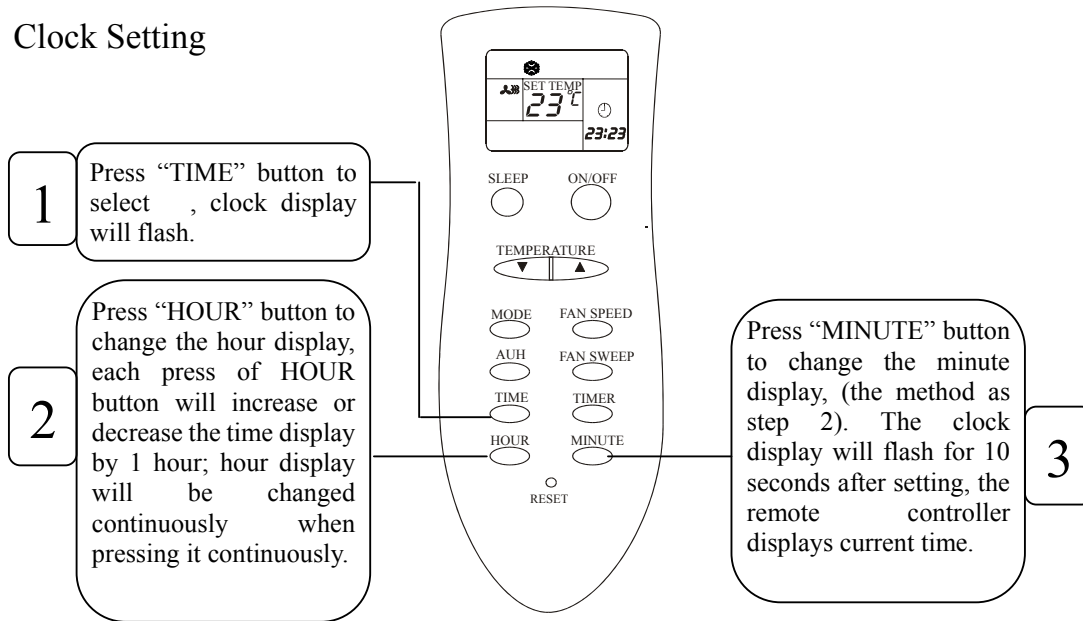
□ AUTO, HEAT, COOL, FAN and DRY operation □



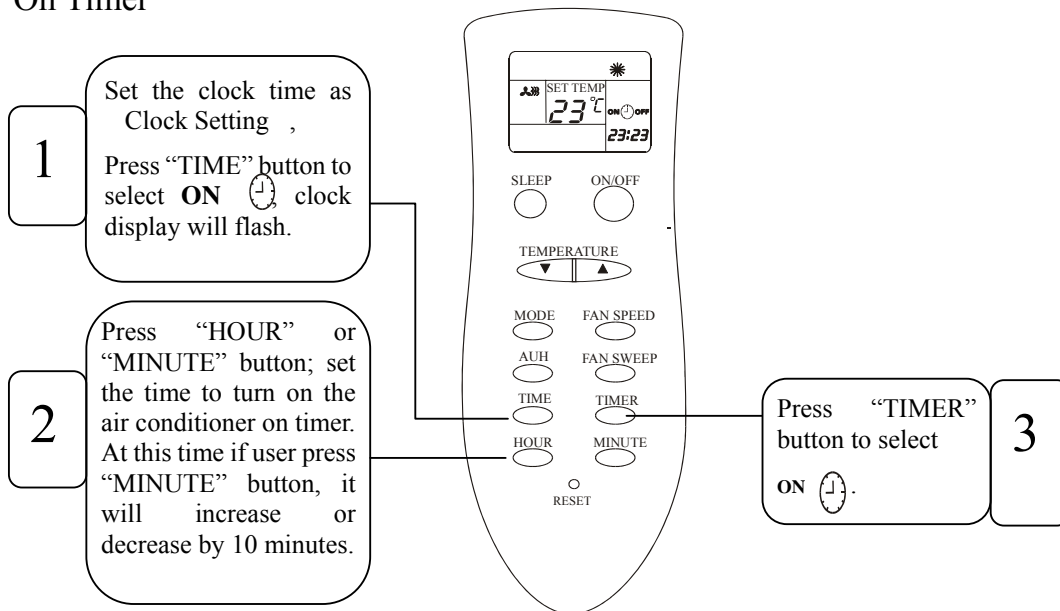
Remarks:

1. When “AUTO” mode is set, the air conditioner will adjust the fan speed and select the COOL or DRY mode according to the indoor temperature.
2. When “AUTO” mode is set, SLEEP and AUH functions are not available.
3. When “DRY” mode is set, in accordance with the D-value between indoor temperature and set temperature, the air conditioner will start or stop the cooling operation and fan speed automatically to decrease room humidity. The fan speed may change to maintain the humidity.
4. When “FAN” mode is set, temperature can't be adjusted. Step 2 of Operating procedures is not effective. Only high, medium and low fan speed can be set; no Auto fan speed.
5. In the cooling-only model, the “AUH” function is not available and there is no AUTO-HEAT mode.

Clock Setting



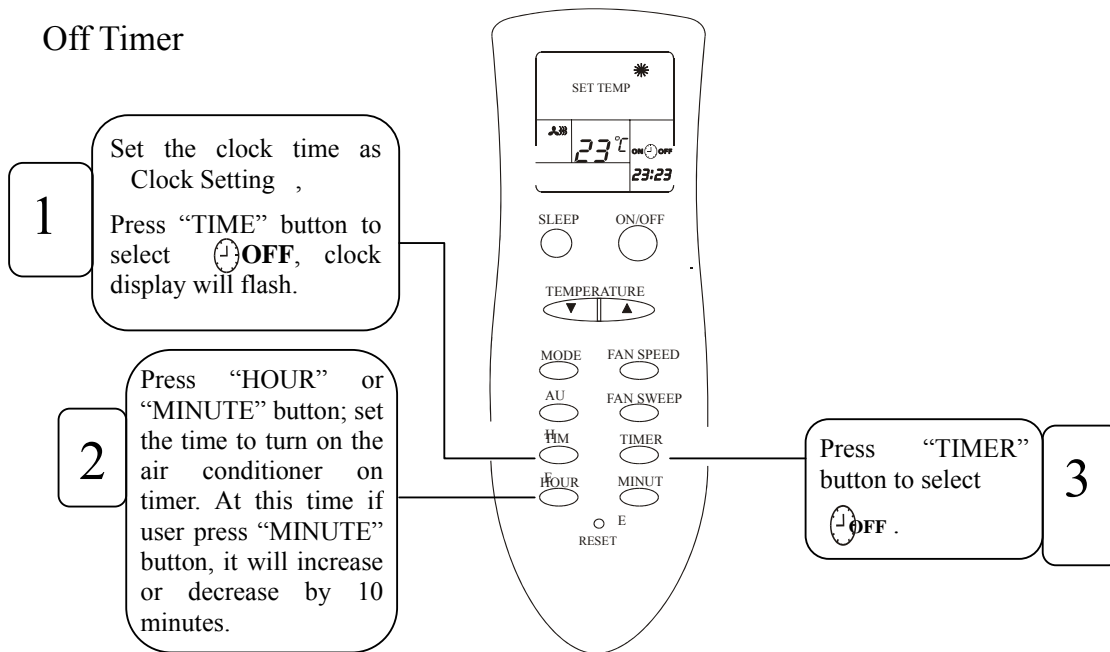
On Timer



Note:

1. When on timer function is set, air conditioner will be turned off immediately. It will be turned on at the set time; symbol “ON” will be deleted. If the set time is as same to the current time, air conditioner will be turned on at this time of next day.
2. Press “ON/OFF” to cancel “On Timer” function, air conditioner will be turned on immediately.

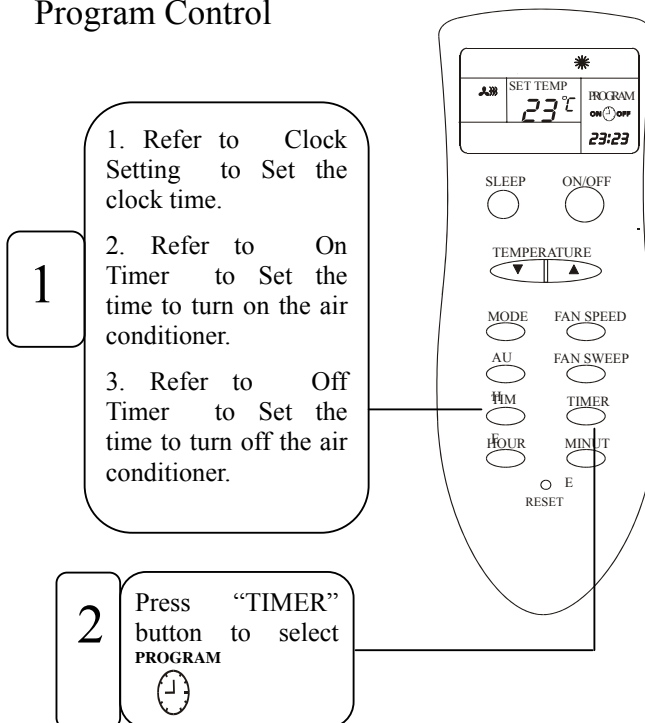
Off Timer



Note:

1. When off timer function is set, air conditioner will be turned on immediately. It will be turned off at the set time; symbol “ **OFF** ” will be deleted. If the set time is as same to the current time, the air conditioner will be turned off at this time of next day.
2. Press “ON/OFF” to cancel “Off Timer” function, air conditioner will be turned off immediately.

Program Control



Note:

1. In accordance with the clock time , air conditioner will select to work in “On Timer” or “Off Timer” mode automatically.

PROGRAM PROGRAM
ON OFF

2. Air conditioner will be turned on/off at the set time everyday. If user turns off the air conditioner by hand before the set time, then “Off timer” function will be cancelled; but “On timer” function is still effective. If user turns on the air conditioner by hand before the set time, then “On timer” function will be cancelled; but “Off timer” function is still effective.

KEY-OPERATING INSTRUCTON FOR THE AIR CONDITIONER

Before Starting This Unit

- 1) Select a suitable location ,make sure you have easy access to an electrical outlet.
- 2) Install the Flexible Exhaust Hose and the Adjustable Window Slider Kit as depicted in Fig.7 □ Fig.7a

NOTE: Step 2) is required only while using the cooling mode.

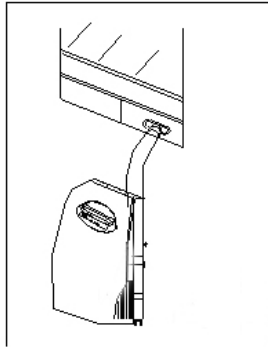


Fig.7

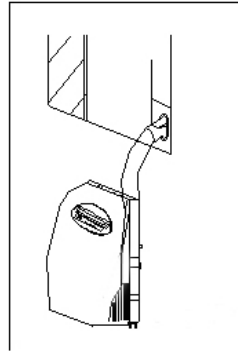


Fig.7a

- 3) Plug the unit into the grounded electrical outlet.
- 4) Make sure the water pump drain hose is correctly installed, as Fig.8 .
- 5) Press the on/off button to turn on the unit.

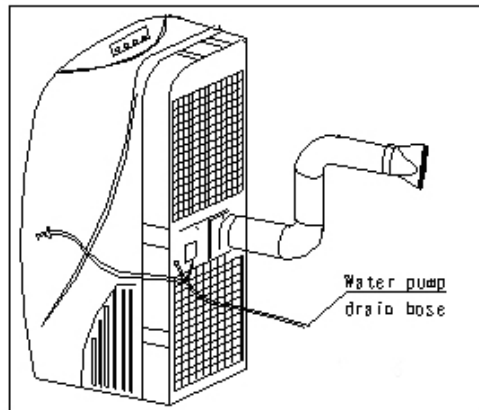


Fig.8

1. BEFORE USE

Made sure the duct is installed well.

Dehumidifying and Cooling Operations

- The operating range for dehumidifying is 60□-89□, and the operating range for cooling operating is 60□-89□.
- If the cooling or dehumidifying operations have been switched off and need switching on again in a short time, allow approximately three minutes for the cooling or dehumidifying operations to resume.
- Make sure the water pump drain hose is correctly connected to the unit.

Power supply:

- Insert the plug of the air conditioner into a standard three prong outlet.

2. COOLING OPERATION

- Connect the power and press the “ ON/OFF ” button.
- Press the “ MODE” button several times until the cooling indicator light comes on.
- Press the “ TEMP SETTING” buttons▲or ▼ to select your desired room temperature. (60□-89□)
- Press the “FAN SPEED” button to choose the fan speed: Auto□High□Medium□Low.

3. DEHUMIDIFYING OPERATION

- Connect the power and press the “ ON/OFF ” button.
- Press the “MODE” button several times until the dehumidifying indicator light comes on.
- Press the “TEMP SETTING” buttons▲or ▼ to select your desired room temperature. (60□-89□)
- The fan will often run at a fixed low speed at this setting.
- Keep windows and doors closed for the best dehumidifying effect.

4. HEATING OPERATION (not available for cooling-only type air conditioner)


- Connect the power and press the “ ON/OFF ” button.
- Press the “MODE” button several times until the heating indicator light comes on.
- Press the “TEMP SETTING” button▲or▼to select your desired room temperature. (60□-89□)
- Press the “FAN SPEED” button to choose the fan speed: Auto□High□Medium□Low.
- The fan will delay to be off for a few minutes when the AUH has been off.

5. FAN OPERATION


- Connect the power and press the “ ON/OFF ” button.
- Press the “MODE” button several times until the fan indicator light comes on.
- Press the “FAN SPEED” button to choose the fan speed: High□Medium□Low.

6. TIMER OPERATION

Setting the on timer:

- Press the “TIMER ON” button or “TIMER” button when the air conditioner is off . Press the “TEMP SETTING” button▲or▼to select the time you need turn on the unit .
- The starting time is adjustable from 01 to 24.
- The operation panel window will display “ON” or the timer-on indicate light.

Setting the off timer:

- Press the “TIMER OFF” button when the air conditioner is on. Press the “TEMP SETTING” button▲or▼to select the time you need turn off the unit.
- The turning off time is adjustable from 01 to 24.
- The operation panel window will display “OFF” or the timer-off indicate light.

7. WATER PUMP DRAINAGE

- Connect the water pump drain hose to the unit before operating. When the water level of the internal water tank reaches a predetermined level, the water pump will be activated and drain the condensed water outside through the connected drain hose. The maximum delivery lift is 3.0m(10 feet).(Under this condition, ensure the rubber stopper is attached to continuous drainage plug at the bottom of the unit.

This is located on the back-side of the AC.)

8. CONTINUOUS DRAINAGE

- When you plan to leave this unit unused for a long time or do not want to use the water pump, remove the rubber stopper from the continuous drainage plug and attach a tube or hose for continuous drainage. All the water in the water tank will drain once the continuous drainage plug is removed.(Under this condition, the water pump is not activated.)

NOTE: 1. This type of air conditioner's waterproof level is IPX0. Do not use it in the laundry or bathroom.

a) Fuse:RF1-20 5A 250V or F3.15AL250V, rated current:5A or 3.15A.

3. The rules of line must accord with the standard of exporting countries or nations.

4. Seconds after pressing "UP" and "DOWN" simultaneously, operation panel is locked and the displayer shows "LOCKED". All buttons on operation panel are invalid, but the remote controlling signals are valid. Pressing again "UP" and "DOWN" simultaneously, the operation panel is unlocked and the "LOCKED" on displayer disappears. Then operation panel comes back to the normal state.

INSTALLATION

1. IMPORTANT:

Install the portable air conditioner in a flat and spacious location where the air inlets or outlets will not be blocked. A minimum clearance of 12 inches from a wall or other obstacles should be kept(as Fig.9 show). The appliance shall not be used in the laundry. The plug shall be accessible after the appliance is positioned. Wiring shall be done according to National rules.

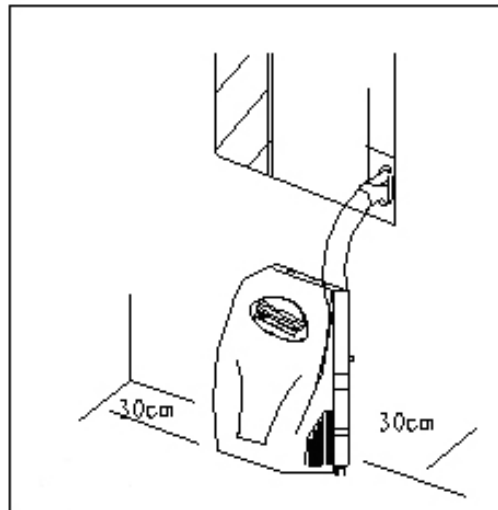


Fig.9

2. DUCT MOUNT INSTRUCTIONS:

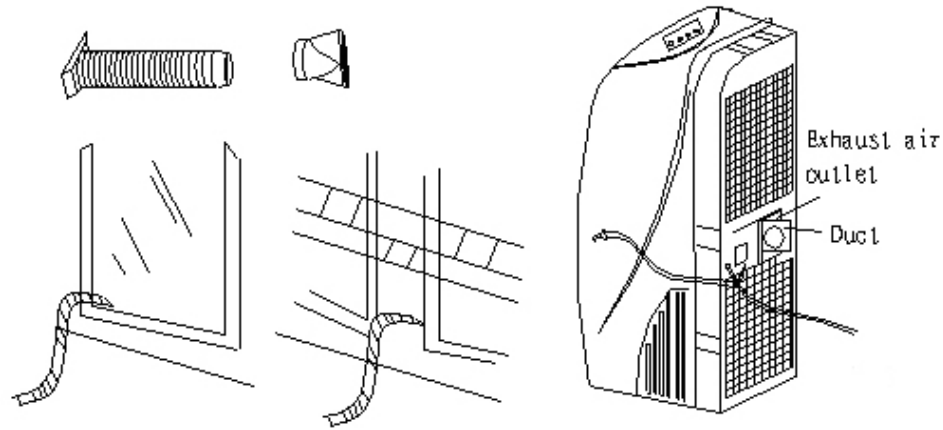


Fig.10

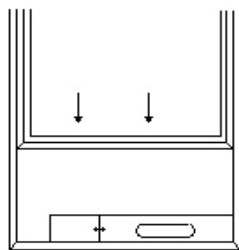
A) TEMPORARY

1. Attach one end of the duct to the exhaust air outlet of the mobile air conditioner, first fit the left side of the duct on the exhaust air panel, then the right side duct. Push it downwards, be sure to fix thoroughly.(See the fig.10)
2. Put the end of duct to a nearby window.

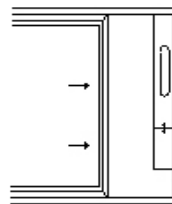
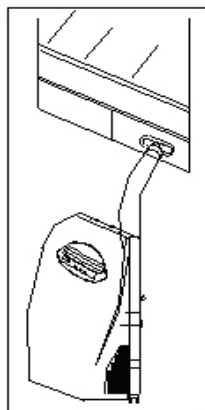
Window Kit Installation

Your window kit has been designed to fit most standard “Vertical” ,and “horizontal” window applications , However, it may be necessary for you to improvise/modify some aspects of the installation procedures for certain types of window .

Please refer to Fig.11&Fig.11a for minimum and maximum window openings.



Window sider kit
min: 67.5cm (2.22ft)
max: 123cm (4.04ft)



Window sider kit
min: 67.5cm (2.22ft)
max: 123cm (4.04ft)

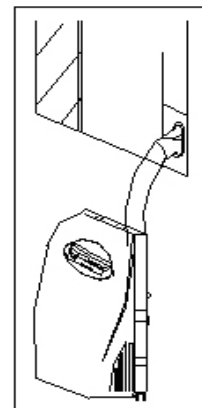


Fig.11

Fig.11a

Drain Tank Safety Feature

This unit is equipped with a internal water tank, two full-safe switch mechanisms, one is used to control the water pump drainage, the other is used to monitor the water level inside the internal water tank. When the water level reaches a predetermined altitude, the digital display shows “E5” and the water full indicator light illuminates. Cut off the power and move the unit outside carefully, remove the rubber blockage from the back drainage hole and drain the water off. The unit will continue operating properly.

MAINTENANCE

IMPORTANT:

- 1) BE SURE TO UNPLUG THE UNIT BEFORE CLEANING.
- 2) DO NOT USE GASOLINE, THINNER OR OTHER CHEMICALS TO CLEAN THE UNIT.
- 3) DO NOT WASH THE UNIT DIRECTLY UNDER A TAP OR USING A HOSE.
- 4) IF THE POWER CORD IS DAMAGED, IT SHOULD BE REPAIRED BY MANUFACTURE OR ITS AGENCY.

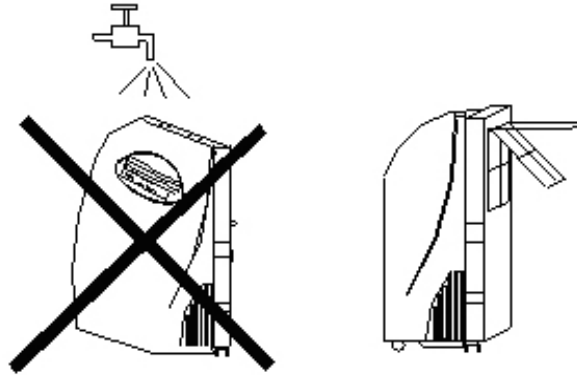


Fig.12

1. AIR FILTER

- Clean the air filter at least once every two weeks to prevent inferior fan operation from dust build-up.
- Removal
Pull out the filter cover and remove the air filter from the filter cover.
- cleaning
Wash the air filter by immersing it gently in warm water (about 104°F) with a neutral detergent. Rinse the filter and dry it in a shady place.
- Mounting
Attach the air filter to the filter cover using the attachment hooks on the inner surface of the cover. Put the filter cover back to the unit.

2. UNIT ENCLOSURE

- Use a lint-free cloth soaked with neutral detergent to clean the unit enclosure. Finished by a dry clean cloth.

TROUBLE SHOOTING

PROBLEM	POSSIBLE CAUSES	SUGGESTED REMEDIES
1. UNIT DOES NOT START WHEN PRESSING ON/OFF BUTTON	- Water full indicator blinks, water tank is full.	Dump the water in the water tank.
	- Room temperature is higher than the set temperature. (Heating mode)	Reset the temperature.
	- Room temperature is lower than the set temperature. (Cooling mode).	Reset the temperature.
	- LCDI plug was tripped.	Press the reset button on the LCDI plug. Press On/Off button on the air conditioner.
2. NOT COOL ENOUGH	- The windows or doors in the room are not closed.	Make sure all the windows and doors are closed.
	- There are heat sources inside the room.	Remove the heat sources if possible.
	- Exhaust air duct is not connected or blocked.	Connect the duct and make sure it can function properly. For best performance keep as short and straight as possible.
	- Temperature setting is too high.	Decrease the set temperature.
	Air filter is blocked by dust.	Clean the air filter.
	- AC stopped cooling after checking each item above.	Turn unit off for 3 minutes, press the reset button on the LCDI plug, turn the AC back on and select a temperature lower than the room temperature.
3. NOISY OR VIBRATION	- The ground is not level or not flat enough.	Place the unit on a flat, level ground if possible.
4. GURGLING SOUND	The sound comes from the flowing of the refrigerant inside the air-conditioner.	It is normal.

NOTE: When the pipe sensor or the room sensor is error, the digital display shows “E1” or “E2” accordingly.

