



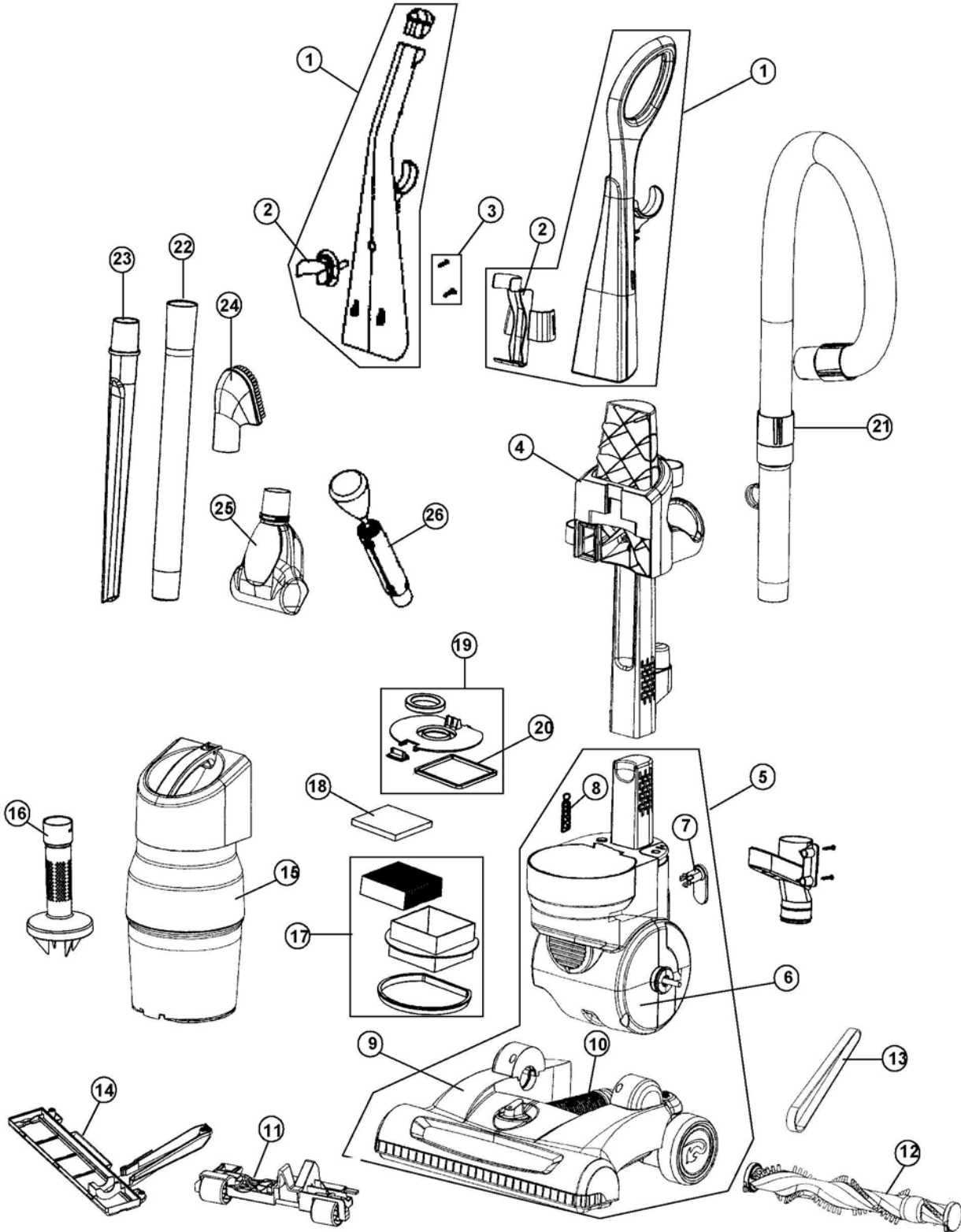
**PURPOSE**  
FOR PETS

**vision.**  
CYCLONIC

POWERpath™

POWERpath™

ASSEMBLY SCHEMATIC



- 140000
- 140005
- UD40275
- UD40305
- UD70080



### PART LISTING

Item	Part Number	Models To Fit	Part Description
1	2LY2103000	140000	HANDLE ASSEMBLY - BLUE / straight
	2LY1103000	140005, UD70080	HANDLE ASSEMBLY - RED / STRAIGHT
	304467001	UD40275, UD40305	HANDLE ASSEMBLY - RED / D-STYLE
2	1LY2102000	140000, 140005 UD70080	TURBO TOOL CLIP - BLACK
	520685001	UD40275, UD40305	TURBO TOOL CLIP - RED
3	2LY2108000	ALL	HANDLE SCREW ASSEMBLY
4	2LY2106000	ALL	BACK PANEL ASSEMBLY
5	2LY2105000	140000, 140005	MOTOR WITH MOTOR HOUSING AND NOZZLE ASSEMBLY - RED
	304472001	UD40275, UD40305	MOTOR ASSEMBLY
		UD70080	MOTOR WITH MOTOR HOUSING
6	2LY2107000	140000, 140005, UD40275, UD40305	LOWER FRONT MOTOR HOUSING
		UD70080	LOWER FRONT MOTOR HOUSING
7	515710003	ALL	QUICK RELEASE CORD HOOK - GRAY
8	304471001	UD40275, UD40305	PROFORMANCE INDICATOR ASSEMBLY
9	2LY2101000	140000	NOZZLE ASSEMBLY - BLUE
	1LY1101000	140005, UD70080	NOZZLE ASSEMBLY - RED
	304468001	UD40275, UD40305	NOZZLE ASSEMBLY NO LOWER HOSE - RED
10	580836003	UD40275, UD40305	LOWER HOSE
11	303274001	UD40275, UD40305	ROLLER LIFTER ASSEMBLY
12	2LY2102000	140000	BRUSH ROLL ASSEMBLY
	2LY1102000	140005, UD70080	BRUSH ROLL ASSEMBLY
	302094004	UD40275, UD40305	BRUSH ROLL ASSEMBLY
13	1tr0065600	140000, 140005, UD70080	STYLE 22 BELT
	561670002	UD40275, UD40305	STYLE 22 BELT
14	1LY2101000	140000	NOZZLE GUARD
	1LY1102000	140005, UD70080	NOZZLE GUARD
	304469001	UD40275, UD40305	NOZZLE GUARD
15	2LY2104000	140000	DIRT CUP ASSEMBLY - BLUE <b>ORDER 2LY2155000</b>
	2LY2155000	140005, UD70080	DIRT CUP ASSEMBLY - RED
	301969005	UD40275, UD40305	DIRT CUP ASSEMBLY - RED
16	1LY2110000	140000, 140005, UD70080	AIR DIVERTER - RED
	515722002	UD40275, UD40305	AIR DIVERTER - RED

140000  
140005  
UD40275  
UD40305  
UD70080



PART LISTING

Item	Part Number	Models To Fit	Part Description		
17	1LY2108000	140000, 140005, UD70080	F-27 PLEATED EXHAUST FILTER <b>MFG CODE PRIOR TO 6/01/2010</b>		
	2ly2208000	140000, 140005, UD70080	F-27 PLEATED EXHAUST FILTER - <b>REVISED</b> <b>MFG CODE 6/01/2010 AND AFTER</b>		
	301973011	UD40275, UD40305	F-27 PLEATED EXHAUST FILTER - HEPA		
18	1LY2107000	140000, 140005, UD70080	FOAM EXHAUST FILTER		
	561845002	UD40275, UD40305	FOAM EXHAUST FILTER		
19	1LY2100000	140000, 140005, UD70080	EXHAUST FILTER COVER LID - BLACK		
	304470001	UD40275, UD40305	EXHAUST FILTER COVER LID - CLEAR		
20	1LY2103000	ALL	EXHAUST FILTER COVER GASKET		
21	2LY2140000	140000, 140005, UD70080	UPPER HOSE ASSEMBLY		
	301975002	UD40275, UD40305	UPPER HOSE ASSEMBLY		
22	1LY2105000	140000,140005, UD70080	EXTENSION WAND		
	590768009	UD40275, UD40305	EXTENSION WAND		
23	1LY2104000	140000,140005, uD70080	CREVICE TOOL		
	515362004	UD40275, UD40305	CREVICE TOOL		
24	1LY2106000	140000, UD40305	UPHOLSTERY TOOL - PET BLUE BRITLES		
	300840002	140005, UD70080, UD40275	UPHOLSTERY TOOL		
25	2LY2100000	140000	TURBO TOOL		
	2LY1101000	140005, UD70080, UD40305	TURBO TOOL - PET <b>ORDER 2UTT000000</b>		
	100437013	uD40275	TURBO TOOL		
26	2LY1000000	140005	FEATHER DUSTER		

140000  
140005  
UD40275  
UD40305  
UD70080