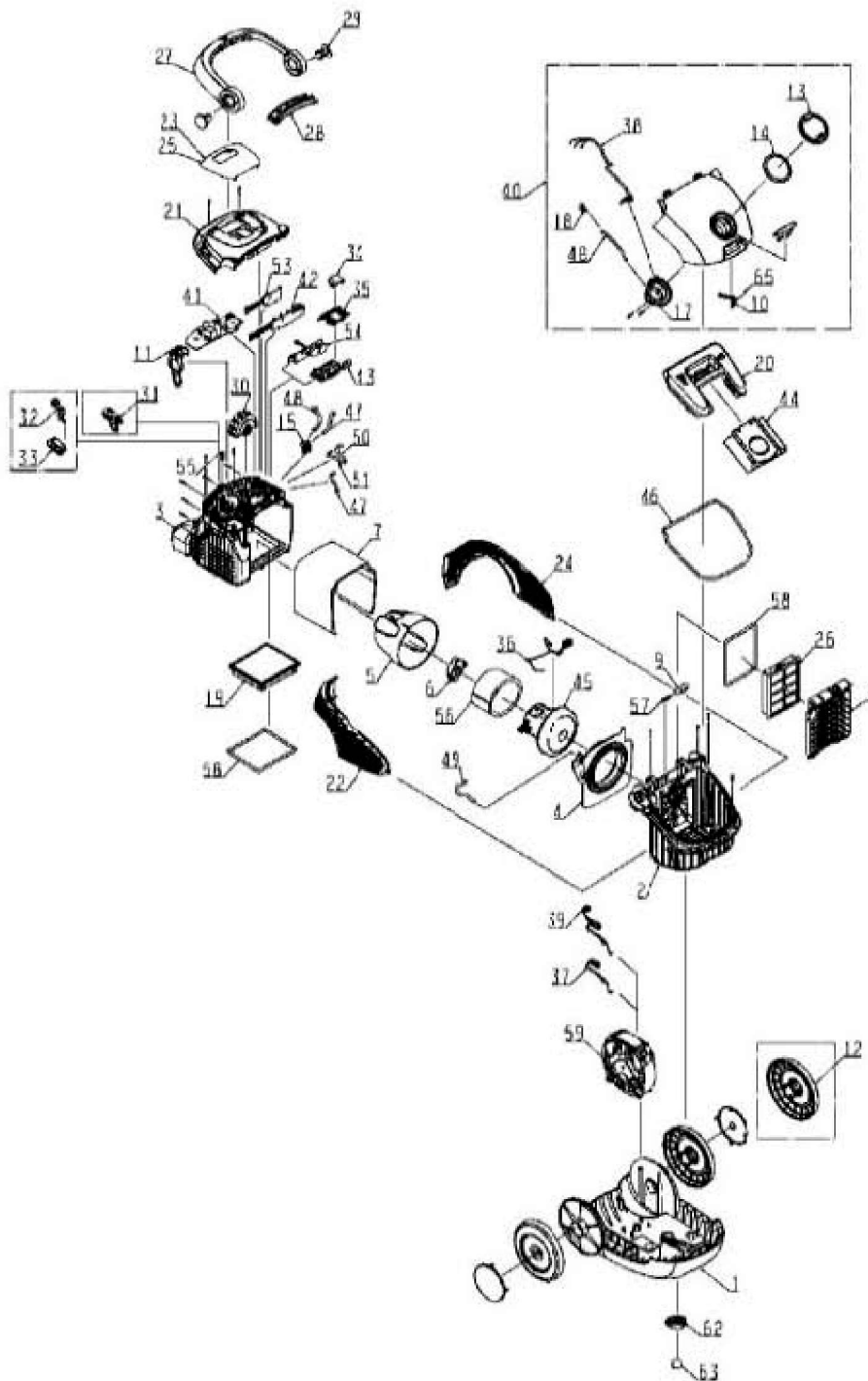


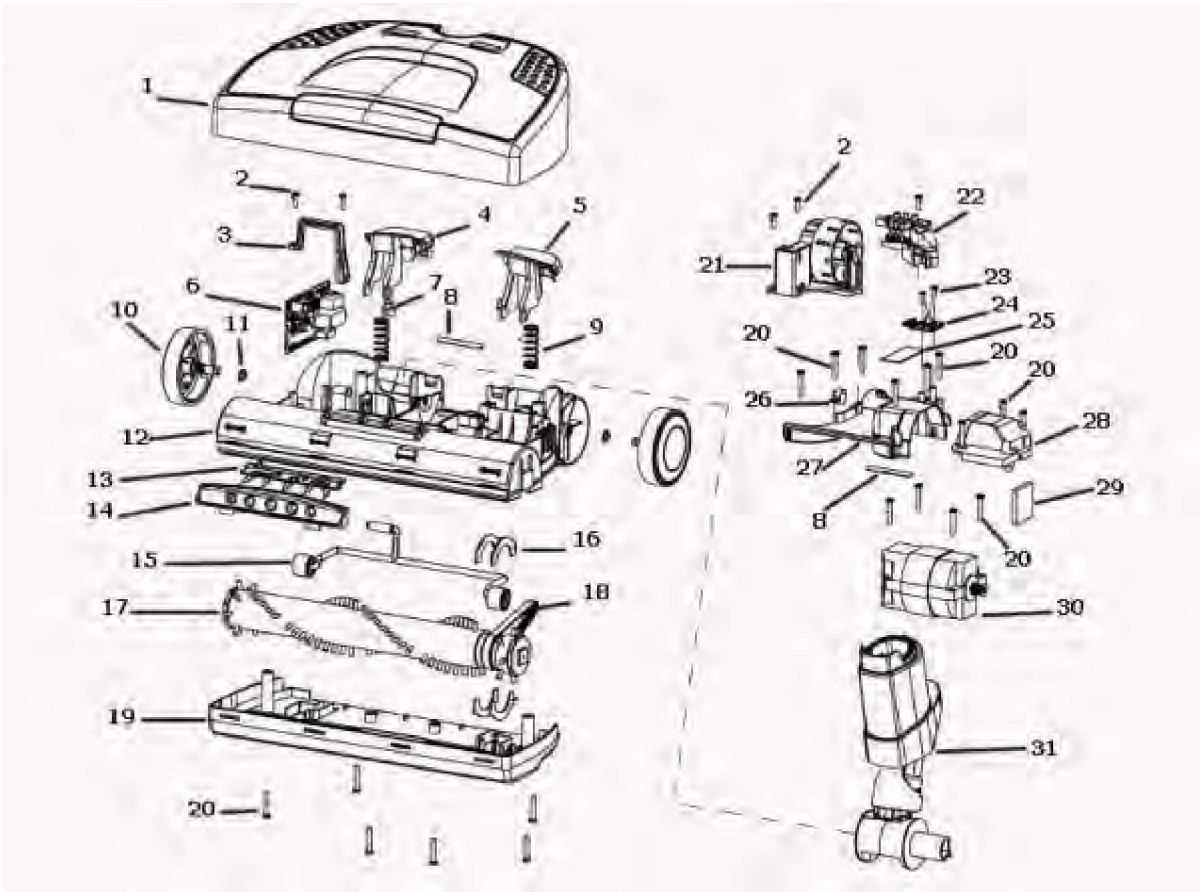
Canister - EL7020B



Canister - EL7020B

Ref #	Part	Description	Comments	Qty
1	E-1130900-01	BOTTOM PART		
2	E-1130901-02	DUST CONTAINER		
3	E-1130902-01	MOTOR HOUSING		
4	E-1130903-02	SEALING - MOTOR		
5	E-1130904-01	MOTOR COVER - HOUSING		
6	E-1130909-01	SUSPENSION - REAR DOM		
7	E-1130910-01	ABSORBENT - MOTORHOUSE		
8	E-1130911 -01	HOLDER - FILTER		
9	E-1130912-01	NO FILTER SAFETY DEV		
10	E-1130914-01	NO BAG SAFETY DEVICE		
11	E-1130916-01	BRACKET - NOZZLE PARK		
13	E-1130919-01	COVER - HOSE CONNECT		
14	E-1130920-01	RING - HOSE CONNECTION		
15	E-1130923-01	GROMMET		
17	E-1130927-01	SLEEVE - HOSE CONNECTION		
18	E-1130928-01	GROMMET - FRONT COVER		
19	E-1130929-01	FILTER - PERMANENT F2		
20	E-1130930-01	HOLDER - BAG		
21	E-1130934-09	COVER - REAR SATINE CAYEN		
22	E-1130935-02	DIFFUSOR - COMPLETE OUTLE		
24	E-1130937-02	DIFFUSOR - COMPLETE OUTLE		
25	E-1130938-02	DISPLAY - PRINTED LEVEL 4		
26	E-1130939-01	FILTER - O2 NON WASH		
27	E-1130940-01	HANDLE		
28	E-1130941 -01	GRIP - HANDLE		
29	E-1130942-02	HANDLE PIN PACKAGE		
33	E-1130946-01	PEDAL - CORDWINDER		
34	E-1130949-02	LIGHT CONDUCTOR		
35	E-1130950-02	REFLECTOR		
36	E-1130969-01	CABLE - MOTOR TERMO UL		
38	E-1130958-01	CABLE - POWER OUTLET		
40	E-1130967-16	COVER & GRAPHICS CPL		
43	E-1180110-01	MODULE - MAIN UL		
54	E-1180111 -01	MODULE - BAG/FILTER UL		
42	E-1180113-01	MODULE - AUTSUMO UL		
41	E-1180136-56	SUMO BOARD		
44	E-EL200B	S BAG CLASSIC		
45	E-63160	MOTOR ASSY - PACKAGED		
46	E-115857-05	SEALING		
47	E-117990-15	HOSE - COOLING 100 MM EPD		
48	E-117990-12	HOSE - COOLING 115 MM EPD		
49	E-117990-16	HOSE - COOLING 135 MM EPD		
50	E-117990-14	HOSE - COOLING 80 MM EPDM		
51	E-117990-13	HOSE - COOLING 65 MM EPDM		
55	E-63157	SPRING PACKAGE	10 in package.	
57	E-63158	SPRING PACKAGE	10 in package.	
58	E-1130289-01	SEAL		
59	E-1128341 -41	CORD WINDER CPL UL RIGHT		
60	E-1130608-03	REAR WHEEL		
61	E-1130614-03	REAR WHEEL COVER		
62	E-1096042-03	WHEEL SUPPORT		
63	E-1129038-01	FRONT WHEEL CPL.		
65	E-63147	SPRING PACKAGE	10 in package.	
999	E-1130975-99	Circuit Diagram - L4 UL	Circuit diagram, not shown.	
	E-15812			
	E-15821			
	SF119262-74			

Power Head EL6A - EL7020B



Due to manufacturer design changes,  
several styles of elbow/connector assy  
are available.  
Refer to images to insure correct  
part is ordered !



E-NUE-003



E-75810-1

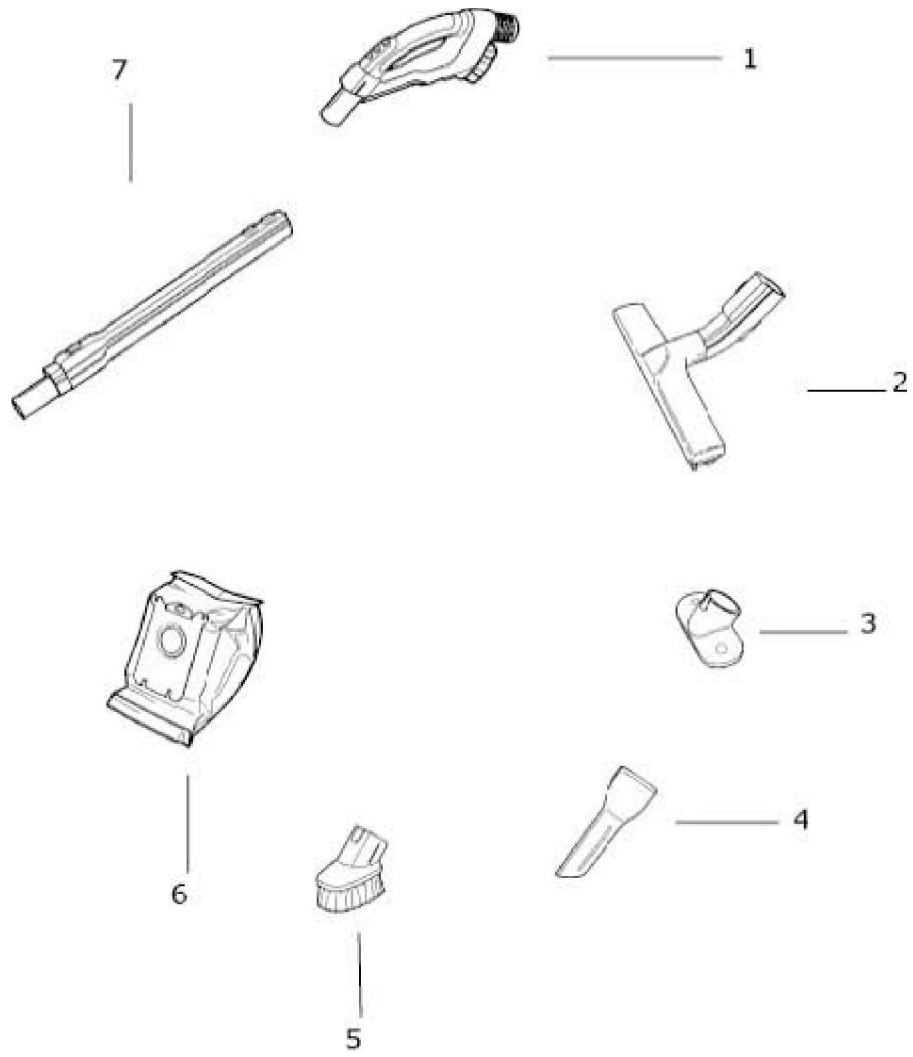


E-39970

Power Head EL6A - EL7020B

Ref #	Part	Description	Comments	Qty
1	E-NUE-017-2	HOOD ASSEMBLY (ELECTROLUX		
2	E-63399-1	SCREW PACKAGE		
3	E-NUE-149-119N	PCB FIX BRACKET		
4	E-78190	PEDAL-LEFT & GRAPHICS ASS		
5	E-78188	PEDAL-RIGHT & GRAPHICS AS		
6	E-NUE-012A	UNIT MAIN PCB ASSEMBLY		
7	E-NUE-206	INSERT - PEDAL		
8	E-NUE-408	T-JOINT SEALING FLET		
9	E-NUE-208	SPRINT FOR PIVOT ARM		
10	E-NUE-014	REAR WHEEL ASSEMBLY		
11	E-54432-2	PACKAGE - RETAINING RING		
12	E-NUE-101-366N	BASE		
13	E-NUE-010	HEADLIGHT PCB ASSEMBLY		
14	E-NUE-150-392P	LED FIX COVER		
15	E-NUE-004	FRONT AXLE ASSEMBLY		
16	E-NUE-407	FILTER WASHER - LOWER		
17	E-NUE-005	BRUSH ROLL ASSEMBLY		
18	E-NUE-401	POLY V5 BELT		
19	E-NUE-131-366N	SOLE PLATE		
20	E-63399-2	SCREW PACKAGE		
21	E-NUE-007	ACTUATOR ASSEMBLY		
22	E-NUE-011	HEIGHT INDICATOR ASSEMBLY		
23	E-63399-3	SCREW PACKAGE		
24	E-NUE-013	OVERLOAD INDICATOR PCB AS		
25	E-NUE-411	FOAM PAD		
26	E-NUE-219	SPRING PLATE		
27	E-NUE-103-119N	AIR CHANNEL COVER		
28	E-NUE-107-119N	MOTOR COVER		
29	E-NUE-413	VENT FOAM FOR MOTOR		
30	E-NUE-006	MOTOR ASSEMBLY		
31	E-NUE-003	COUPLING ASSEMBLY		
	E-NUE-109-366N			
	E-EL6A	ELECTROLUX POWER HEAD		

Accessories - EL7020B



Accessories - EL7020B

Ref #	Part	Description	Comments	Qty
1	E-61054-3	SWIVEL HOSE ASSY - CARTON		
2	E-75973-1	FLOOR & WALL BRUSH ASSEMB	Not available.	
3	E-75985	NOZZLE - FURNITURE		
4	E-76250	NOZZLE - CREVICE		
5	E-75986	NOZZLE - DUSTING BRUSH		
6	E-EL200B	S BAG CLASSIC		
7	E-75979-1	TELESCOPIC WAND ASSY.		
	E-75975A		Owners guide	
	E-045027-355N	Sumo Adapter		
	15821			
	SF119262-74			
	15812			