

Char-Broil®

FIRENZY **OUTDOOR FIREPLACE**

MODEL • 03505784
Assembly Instructions



 **WARNING** 

Do not use this unit on a wood deck or on combustible surfaces such as dry grass, leaves, mulch, etc. Do not use this unit near heat sensitive or combustible structures such as vinyl or wood siding.

 **CAUTION** 

Some parts may contain sharp edges – especially as noted in manual. Wear protective gloves if necessary.

 **WARNING** 

NEVER LEAVE FIRE UNATTENDED!
Do not allow small children near flame. Hot embers can fly out of bowl in breezy conditions. Adequate fire extinguishing material should be readily available.

 **CAUTION!** This Unit is heavy.
Tools needed: Adjustable wrench and screwdriver.
DO NOT assemble without helper.

**FOR OUTDOOR USE
ONLY!**

 **CAUTION** 

Read and follow all safety statements, warnings, assembly instructions and use & care directions before attempting to assemble.

 **WARNING** 

CARBON MONOXIDE HAZARD
Burning charcoal inside can kill you. It gives off carbon monoxide, which has no odor. NEVER burn charcoal inside homes, vehicles or tents.

STOP!

Missing a part?

No need to go back to the store!

The store where you made your purchase does not stock parts for this item. If you need parts, whether they are missing or damaged, call the Customer Service toll free Help Line.

Call us and we will gladly ship
the part you need

FREE OF CHARGE.

Call Our Help Line

1-800-232-3398

Char-Broil

Parts List - Model 03505784

Item	Description
55700307	Leg Kit
55700308	Leg Assembly Kit w/Warning Label Attached
55700423	Firebox Kit
55700338	Side Panel Kit
55700339	Top Cap Kit
40011198	Outer Carton
42000033	Hardware Bag
29100107	Door (Screen)
42803965	Assembly Instruction Book

HARDWARE

Hardware is shown actual size. You may have spare hardware after assembly is complete.

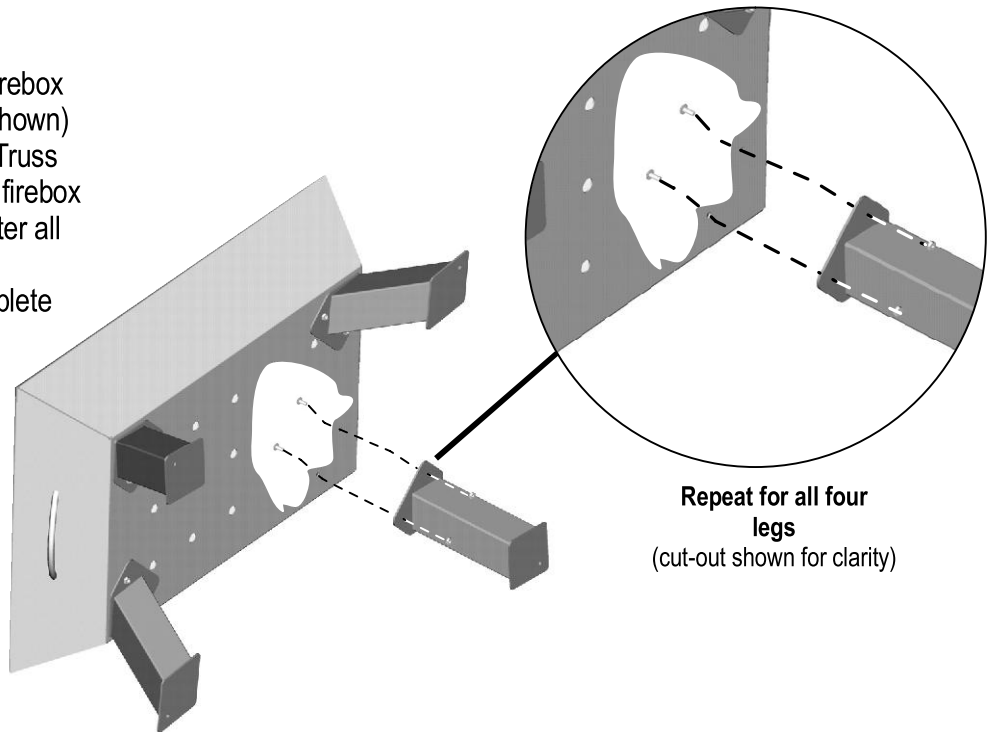


#10-24x1/2"
Combo, Truss Head Screw
Qty. 18

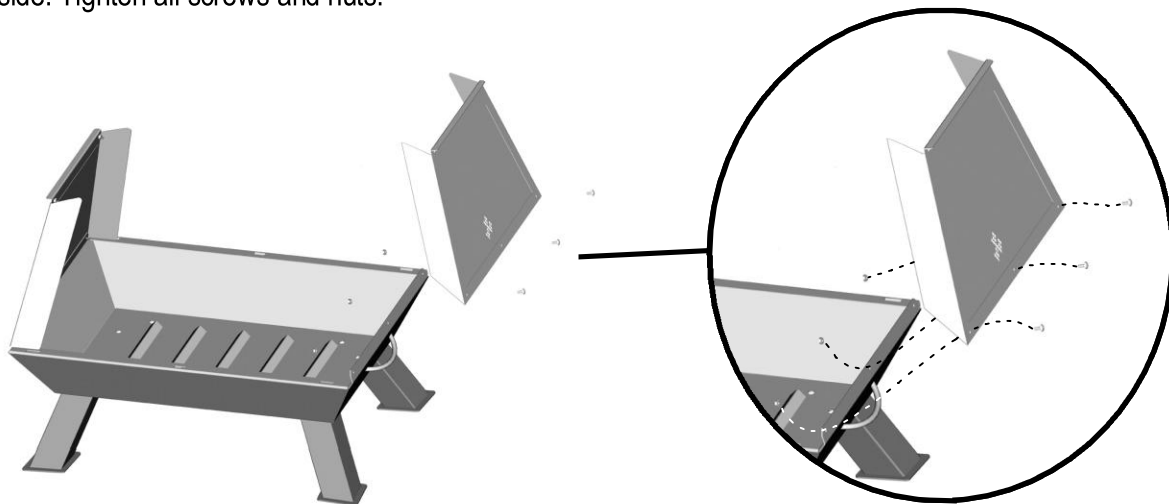


#10-24
Flange Lock Nut
Qty. 18

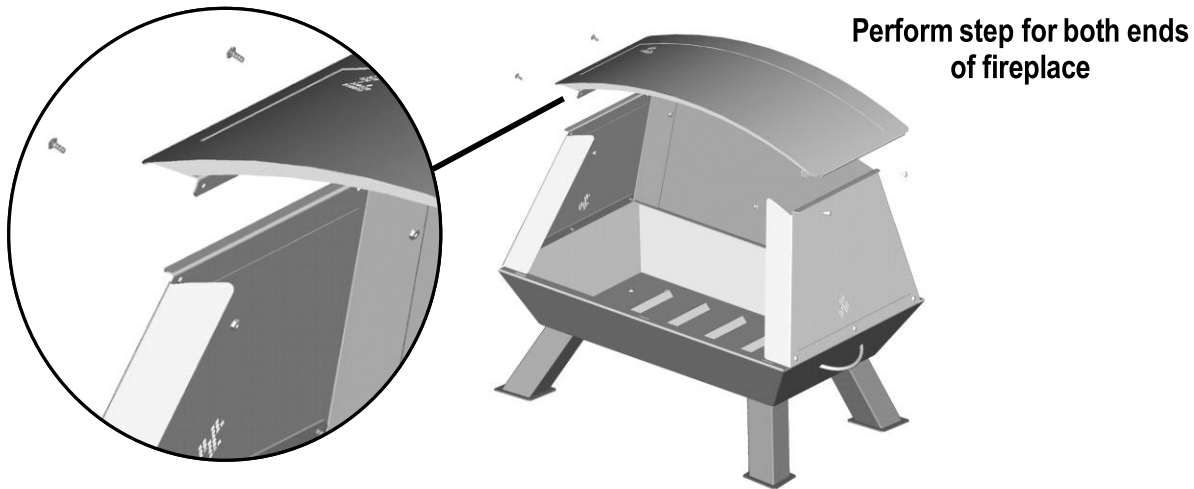
- 1 With the aid of a helper, stand firebox on its side and attach legs (as shown) using (2) #10-24 x 1/2" Combo Truss Head Screws from the inside of firebox and (2) # 10-24 Flange Nuts. After all legs are attached and tight, set fireplace upright on legs to complete remaining steps.



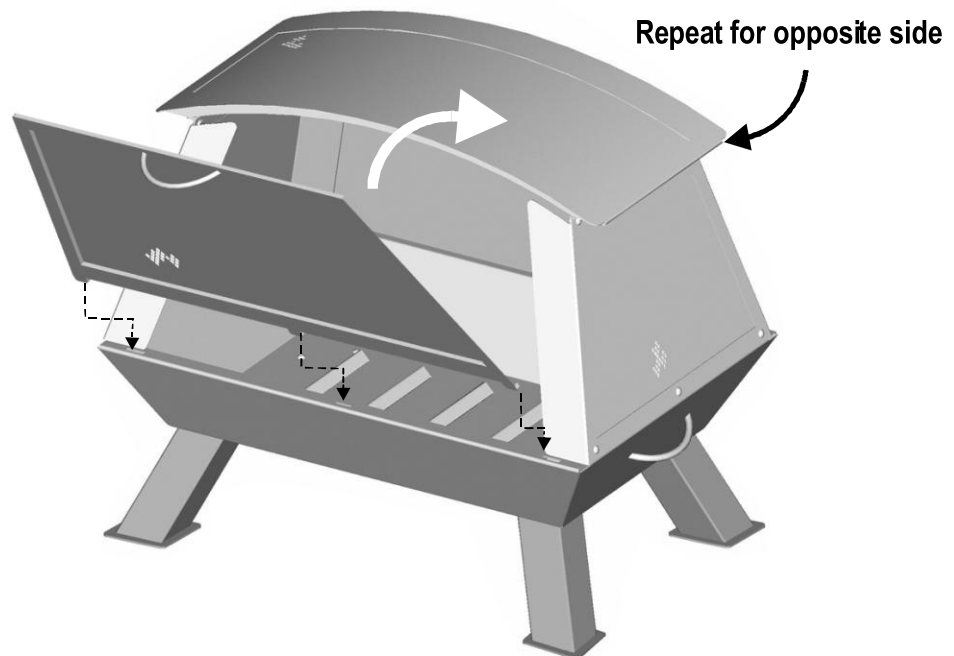
- 2 Attach 1 side panel to each short end of the firebox using (3) #10-24 x 1/2" Combo Truss Head Screws from the outside of the firebox and attach (3) #10-24 Flange Nuts to screws from the inside. Tighten all screws and nuts.



- 3** Set the top cap assembly down onto the side panels. Make sure the side panels are on the outside of the top cap mounting flange. Attach top cap using (4) #10-24 x 1/2" Combo Truss Head Screws per side and (4) #10-24 Flange Nuts. Attach screws from outside of fireplace (as shown). Tighten all screws and nuts.



- 4** Insert remaining two side panels into slots (as shown). Your outdoor fireplace is now ready for use.



Limited Warranty

The manufacturer warrants this *fireplace* for replacement or repair of parts and/or workmanship for a period of ninety (90) days. Paint is not warranted and will require touchup.

These limited warranties are made exclusively to the original customer presenting proof of purchase. These warranties are limited to non-commercial residential use only. Any returned goods must be shipped prepaid. These warranties do not cover normal wear and tear or damages resulting from abuse or misuse. This warranty excludes incidental or consequential cost due to damages or losses or property of any nature.

NOTICE: Some states do not allow the exclusion or limitation of incidental or consequential damages or limitations on how long an implied warranty lasts, so the above limitations or exclusions may not apply to you. This warranty gives you specific legal rights and you may also have other legal rights which may vary from state to state.

For warranty service, CALL TOLL FREE: 1-800-232-3398.