



Ontario, California 91761

# ASSEMBLY & OPERATING INSTRUCTIONS

Model No. 18038  
High Grade Commercial Stainless Steel Bull 7 Burner Grill, LP

Model No. 18039  
High Grade Commercial Stainless Steel Bull 7 Burner Grill, NG

<b>TABLE OF CONTENTS</b>	<b>PAGE</b>
SAFETY INSTRUCTIONS .....	2
ASSEMBLY INSTRUCTIONS .....	4
LIGHTING & OPERATING INSTRUCTIONS .....	11
CLEANING & MAINTENANCE .....	14
TROUBLESHOOTING .....	15
PARTS LIST .....	16
WARRANTY.....	19

**READ THE FOLLOWING INSTRUCTIONS CAREFULLY AND BE SURE YOUR GRILL IS PROPERLY INSTALLED, ASSEMBLED AND CARED FOR. FAILURE TO FOLLOW THESE INSTRUCTIONS MAY RESULT IN SERIOUS BODILY INJURY AND/OR PROPERTY DAMAGE. IF YOU HAVE QUESTIONS CONCERNING ASSEMBLY OR OPERATION, CONSULT YOUR DEALER, GAS APPLIANCE SERVICE REPRESENTATIVE OR YOUR GAS COMPANY**

**NOTE TO INSTALLER:  
LEAVE THESE INSTRUCTIONS WITH THE CONSUMER  
AFTER INSTALLATION.**



**NOTE TO THE CONSUMER  
RETAIN THESE INSTRUCTIONS FOR FUTURE REFERENCE.**

**THIS OUTDOOR COOKING GAS APPLIANCE IS NOT INTENDED TO BE INSTALLED IN OR ON RECREATIONAL VEHICLES AND/OR BOATS.**

# SAFETY INSTRUCTIONS

## Read carefully before assembling and operating your gas grill

This gas grill must be installed in accordance with local codes or, if in an area without local codes, with the latest edition of the National Fuel Gas Code ANSI Z223.1. In Canada, installation must conform to the standard CAN/ CGA 1-b149.1 and/or .2 (Installation Code for Gas Burning Appliances and Equipment) and any local codes.

**WARNING:** Fuels used in gas or oil-fired appliances and the products of combustion of such fuels, contain chemicals known to the State of California to cause cancer, birth defects and/or reproductive harm. This warning is issued pursuant to California Health & Safety Code Sec. 25249.6.

## THE LOCATION FOR YOUR GRILL

**DO NOT use your gas grill in garages, porches, breezeways, sheds or other enclosed areas.** Your gas grill is to be used **OUTDOORS ONLY**, with at least 21" from the back and side of any combustible surface. The grill should not be placed under or on top of any surface that will burn. Do not obstruct the flow of combustion and ventilation air around the grill housing.

**PROTECT CHILDREN:** keep them away from grill during use and until grill has cooled after you are finished. Do not allow children to operate grill.

### FOR YOUR SAFETY...

**DO NOT store or use gasoline or other flammable vapors and liquids in the vicinity of this or any other appliance.**

**DO NOT store empty or full spare gas cylinders under or near this or any other appliance**

**Keep the fuel hose any electrical cord away from hot surfaces. Protect fuel hose from dripping grease. Avoid unnecessary twisting of hose. Visually inspect hose prior to each use for cuts, cracks excessive wear or other damage. Replace hose, if necessary.**

**NEVER test for gas leaks with a lighted match or open flame.**

**NEVER light grill with lid closed or before checking to insure burner tubes are fully seated over gas valve orifices.**

**NEVER lean over cooking surface while lighting grill. Use barbecue tools with wood handles and good quality insulated oven mitts when operating grill.**

### IF YOU SMELL GAS...

1. Shutoff gas to the appliance at its source.
2. Extinguish any open flame.
3. Open grill lid to release any accumulation of fumes.
4. If gas odor persists, immediately contact your gas supplier.

## CHECKING FOR GAS LEAKS

**NEVER TEST FOR GAS LEAKS WITH A FLAME...**prior to first use and at the beginning of each new season (or, if using LP, whenever gas cylinder is changed), it is a must that you check for gas leaks. Follow these steps:

1. Make a soap solution by mixing one part liquid detergent and one part water.
2. Turn off heat control valve(s), and then turn on gas at source.
3. Apply the soap solution to all gas connections: bubbles will appear in the soap solution if connections are not properly sealed. Tighten or repair as necessary.
4. If you have a gas leak that you cannot repair, turn off the gas at the source, disconnect fuel line from grill and immediately call your grill dealer and gas supplier for professional assistance.

## NATURAL GAS SAFETY

Your Natural Gas grill is designed to operate on natural gas ONLY, at a pressure of 4" water column (W.C.) regulated at the natural gas regulator attached at the back of the grill. Check with your gas utility for local gas pressure and with your local municipality for building code requirements.

Check with your gas utility or with local building codes for instructions to install gas supply line, or call a licensed and knowledgeable installer.

It is recommended that an ON-OFF" shutoff valve be installed at the gas supply source:

- . Outdoors after gas line piping exits outside wall and before quick-disconnect or before gas line piping enters ground.
- . Indoors in the branch fuel line in an accessible location near the supply line.

Pipe sealing compound or pipe thread tape of the type resistant to the action of natural gas must be used on all male pipe thread. Apply compound or tape to at least the first three threads when making the connection.

Disconnect your gas grill from fuel source when the gas supply is being tested at high pressures. This appliance and its individual shutoff valve must be disconnected from the gas supply piping system during any pressure testing of that system at pressures in excess of 1/2 psig (3.5 kPa).

Turn off your gas grill when the gas supply is being tested at low pressures. This appliance must be isolated from the gas supply piping system by closing its individual valve.

**WARNING:** Gas valves are preset at the factory to operate on LP or natural gas. If you wish to convert, be sure to contact your grill dealer FIRST!

## PROPANE GAS SAFETY

Your Propane gas grill is designed to operate on propane gas ONLY, at a pressure regulated at 11" water column (W.C.) when equipped with the correct propane orifices on the valves and a propane regulator on the supply line regulated at the residential meter.

Your propane gas grill is designed to be used with a standard 20 lbs gas cylinder and must be constructed and marked in accordance with specifications of the US Department of Transportation for Propane gas cylinders.

Always keep cylinder securely fastened in an upright position.

Never connect an unregulated propane gas cylinder to the grill.

Do not subject Propane cylinders to excessive heat.

**CAUTION:** Never store a Propane gas cylinder inside a building or in the vicinity of any gas-burning appliance.

**WARNING:** Gas valves are preset at the factory to operate on LP or natural gas. If you wish to convert, be sure to contact your grill dealer FIRST!

**SAFETY !**

**BEWARE OF SPIDERS**



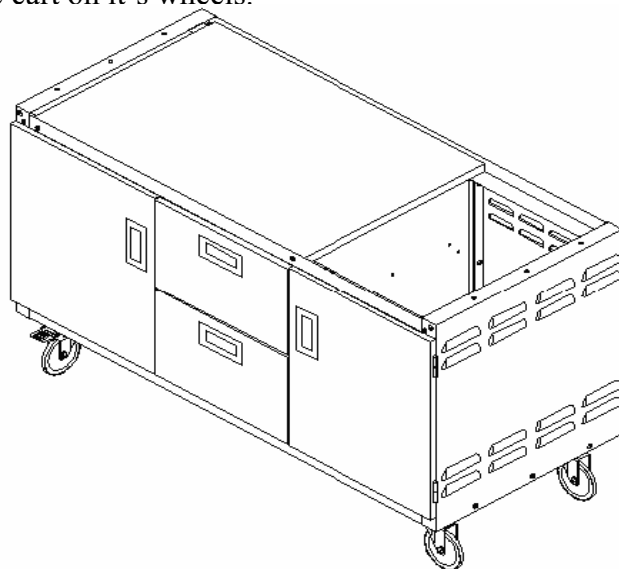
**CAUTION: BURNER TUBES MUST BE INSPECTED AND CLEANED BEFORE FIRST USE.**

Spiders and small insects occasionally spin webs or make nests in the burner tubes during warehousing and transit. These webs can lead to a gas flow obstruction, which could result in a fire in and around the burner tubes. This type of fire is known as "FLASH-BACK" and can cause serious damage to your grill and create an unsafe operating condition for the user. Although an obstructed burner tube is not the only cause of "FLASH BACK" it is the most common cause, and frequent inspection and cleaning of the burner tubes is necessary.

Before attempting to assemble your gas grill, check that all the necessary parts included by using the illustrated part list. The grill head is assembled and fire tested. Inspect trolley parts for damage as you proceed. Contact our service center or local dealer for replacement of any damaged parts. Do not assemble or operate a BBQ grill that appears damaged. We recommend for the assistance of another person when assembling some of the larger or heavier pieces.

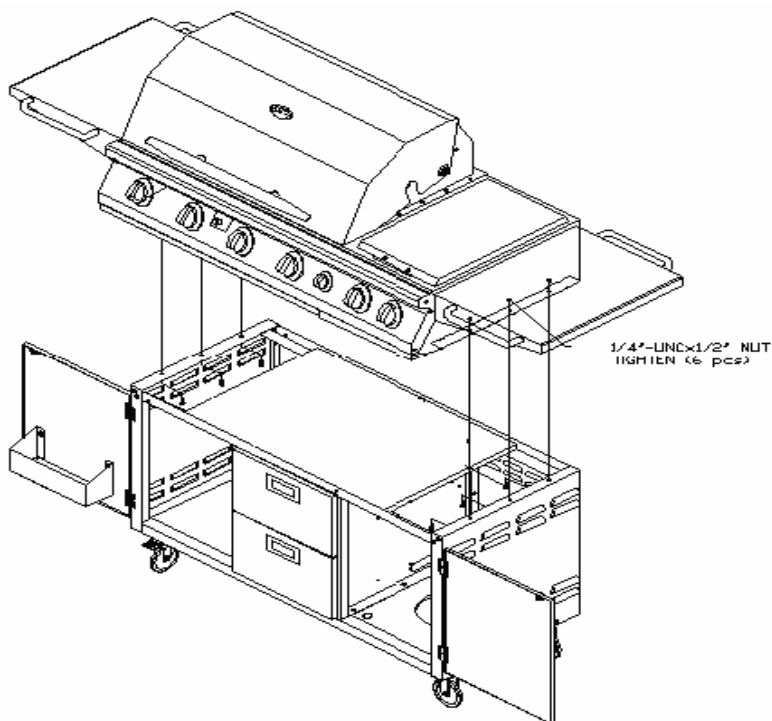
1. Remove four casters and screw package from drawer.

Assemble two casters with brake marked "L" to left of bottom panel and assemble the other two "R" casters w/o brake to right side with 16 pieces of 3/8"X5/8" Hex bolts.(Four for each caster) .Then set the cart on it's wheels.



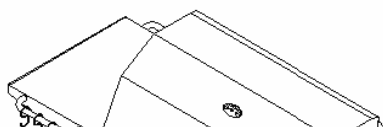
2. Place the grill head on the top of trolley with 6 piece of 1/4"x 1/2" screws. Make sure 6 screws are tightening. **Note : Remove four handles from inside side shelf to outside.**

Then assemble two side shelves by using 8 piece of M5 Hex-Philip bolts. (Four for each side shelf)



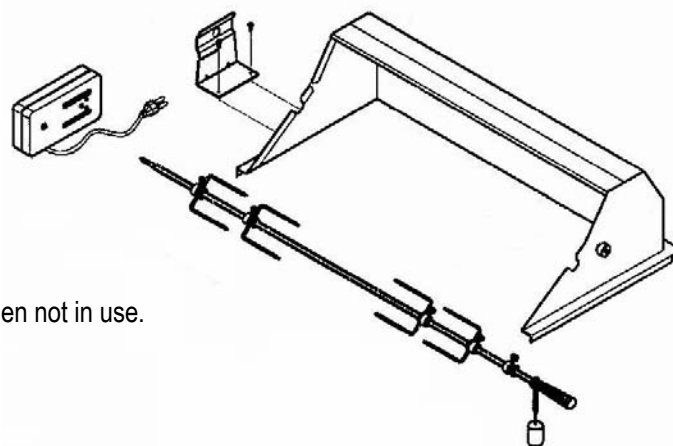
4

3. Place four stainless steel hook on the handle .Your Bull 7 Burner grill is ready for use.



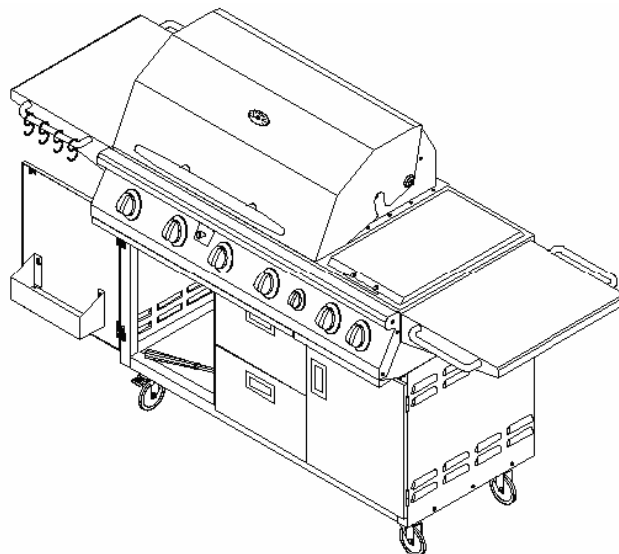
4. Remove two screws on left side of grill hood and put motor bracket on it. Replace two bolts back. You can leave this motor bracket all the time.

Put rotisserie kit on when you want to rotisserie cook. Remove rotisserie motor and rotisserie kit when finished with rotisserie cooking.



**WARNING: DO NOT** leave rotisserie motor mounted when not in use.

5. Place the rotisserie rod in the door storage when finished with rotisserie cooking.



# INSTALLATION INSTRUCTIONS

**PLEASE READ THESE INSTRUCTIONS BEFORE INSTALLING YOUR GAS GRILL**

**NOTE TO INSTALLER:** Leave these instructions with the consumer for future reference. Your grill must be installed in accordance with all local building codes.

## SPECIFICATIONS FOR BARBECUE STRUCTURE

1. For Propane Gas LP TANK STORAGE AREA MUST BE ISOLATED FROM GRILL AND VENTED.
2. Do not use any combustible materials for this construction. Minimum horizontal clearance to adjacent combustible surface from side and back of the grill must be 21 inches.

## CONNECTING TO GAS SOURCE

Refer to the following instructions and illustrations for typical gas supply connections.

**IMPORTANT:** Before connecting grill to gas source, make sure BBQ Grill control knobs are in "OFF" position.

### NATURAL GAS CONNECTIONS

Pipe sealing compound or pipe thread tape of the type resistant to the action of natural gas must be used on all male pipe thread. Apply compound or tape to at least the first three threads when making the connection.

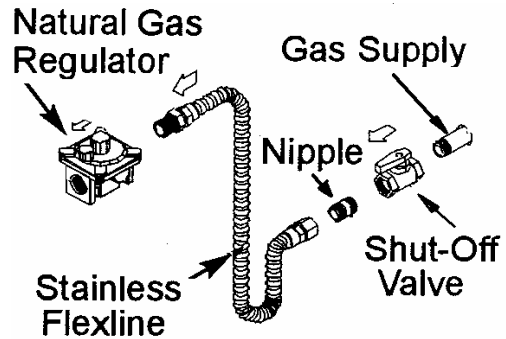
Remove plastic cap from regulator installed on grill.

Attach stainless steel flex line 3/8" flare-female end to the regulator.

Attached the other end of flex line to shut-off valve thru a nipple.

Attach a shut-off valve to gas supply pipe.

**PERFORM GAS LEAK CHECK -SEE PAGE 2**



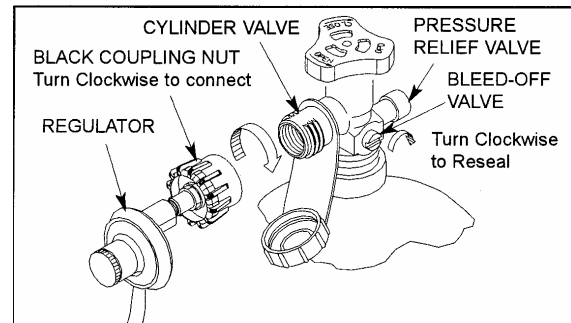
### PROPANE GAS CONNECTIONS

The LP gas pressure regulator and hose assembly supplied with this unit must be used without alteration. If this assembly needs to be replaced, use only the type 1 specified in the parts list supplied with this unit.

Use a LP tank with a type 1 cylinder valve. Make sure the tank is firmly secured in an upright position.

Turn the black coupling nut of the hose and regulator assembly in a clockwise direction. Make sure it is completely threaded onto the cylinder valve before turning gas supply on.

**PERFORM GAS LEAK CHECK — SEE PAGE 2**



## OUTDOORS NATURAL GAS BBQ INSTALLATION SPECIFICATIONS

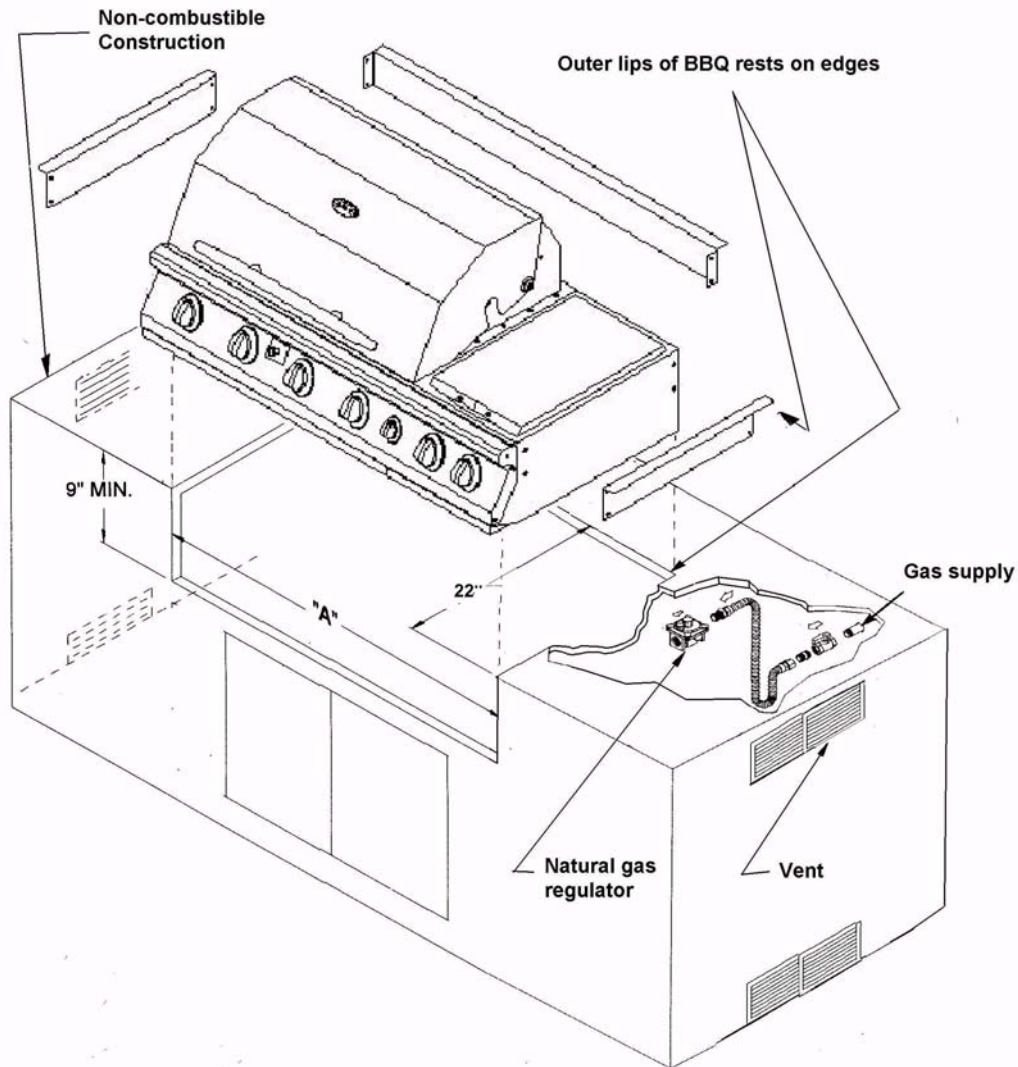
### NOTE:

Vents must be provided for combustion air on both sides of built-in cabinet.

When choosing a location for your gas grill keep in mind that it should never be located under any overhead combustible construction.

The sides and back of the grill should not be any closer than **21** inches to combustible construction.

**DO NOT** store empty or full spare tanks under or near this or any other appliance.



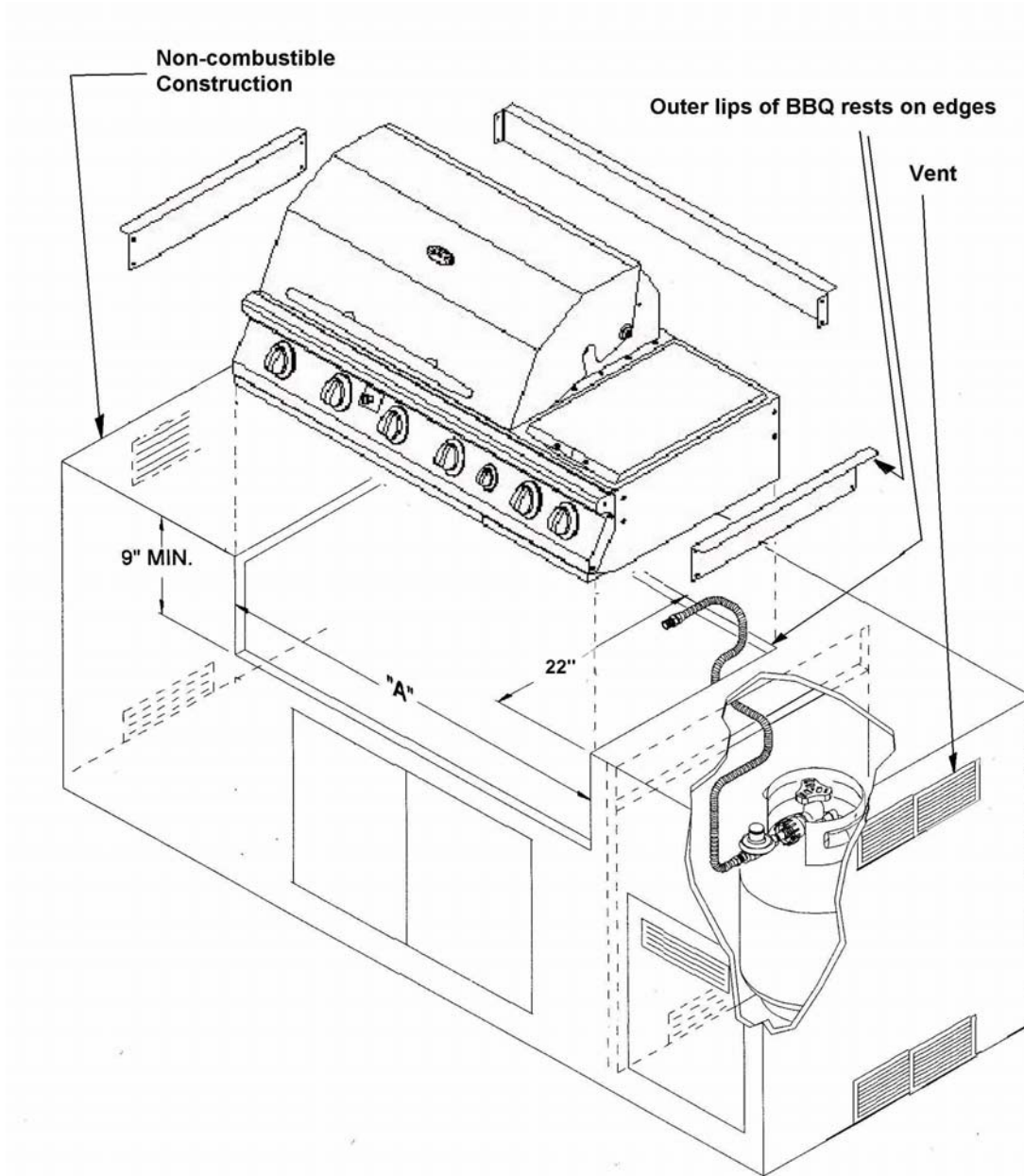
<b>MODEL</b>	<b>A</b>
<b>B18039</b>	<b>48"</b>

## **OUTDOORS PROPANE GAS BBQ INSTALLATION SPECIFICATIONS**

**NOTE:**

Vents must be provided for combustion air on both sides of built-in cabinet.

When choosing a location for your gas grill keep in mind that it should never be located under any overhead combustible construction.  
The sides and back of the grill should not be any closer than **21** inches to combustible construction.  
**DO NOT** store empty or full spare tanks under or near this or any other appliance.



MODEL	A
B18038	48"

## INSPECTING / CLEANING BURNERS AND GAS VALVE ORIFICES

By following these cleaning procedures on a timely basis, your grill will be kept clean and working properly with minimum effort.

## BURNER CLEANING

1. Remove burner from the grill bowl (See drawing on right). Bend a stiff wire (a light-weight coat hanger works well) into a small hook as shown below. Run the hook through each burner tube and burner several times.



2. Use a narrow bottlebrush with a flexible handle. Run the hook through each burner tube and burner several times.

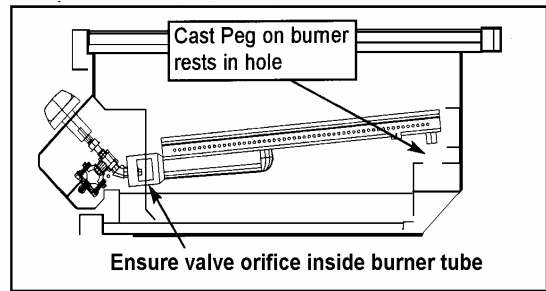
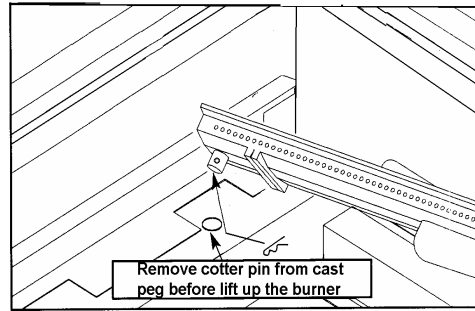
3. Wire brush entire outside surface of burner to remove loose corrosion.

4. Clean any clogged hole with a stiff wire (such as an open paper clip).

5. Inspect the burner assembly for any opening caused by correction.

6. Replace burner and put cotter pin back to hole of the cast peg beneath the burner.

7. Check the burner for proper location after replacing. **To assure the valve orifices are inside of the burner tubes. See right drawing. If the valve orifices do not fit inside the burner tubes, lighting the burners may cause explosion and/or fire.**



## IGNITOR / ELECTRODE CHECK

With all control knobs set to "OFF", check each igniter individually for presence of spark at electrode. In turn, push each control knob in fully and turn slowly about a 1/4 turn to the left (counter-clockwise) until a click is heard; the trigger hitting the strike block should produce a blue spark at the electrode tip. Return control knob to "OFF" before checking next igniter.

## BURNER OPERATION CHECK

1. With BBQ Grill control knobs in "OFF" position turn on the Gas supply.

2. Light any burner by pushing its control knob in fully and slowly (3 to 4 seconds) turning it about 1/4 turn to the left (counter-clockwise) until a click is heard. The 3 to 4 second duration should provide enough gas to light the burner. If the burner does not light, immediately return the control knob to "OFF", wait several minutes for the gas to disperse, and repeat the process. After burner lights successfully, turn control knob to "OFF".

**NOTE:** Upon first assembly the gas lines and burners will be full of air. In order for the burners to light properly the lines must fill with gas. It may require several attempts at lighting the burners before you are successful.

3. Repeat process for each control knob/igniter, in turn, ensuring that other knobs are in "OFF" position as you perform each check.

4. If any burners fail to light after several attempts, discontinue gas supply at source and re-inspect for obstructions to gas flow and orifices.

## COOKING COMPONENT INSTALLATION

**IMPORTANT:** Before first use wash flame tamers, cooking grids, and warming rack with warm, soapy water. Rinse and dry thoroughly. Season metal surfaces with cooking oil occasionally. (After cooking is completed, turn grill to high setting for NO MORE THAN five minutes to burn off excess grease or food residue)

**CAUTION: DO NOT LEAVE GRILL UNATTENDED.**

1. Place stainless steel heat shields on lowest edge under / between burners in grill bowl. (See illustrated drawing)
2. Place stainless steel flame tamers on lower edge above burners in grill bowl.
2. Place cooking grids in grill bowl on edge above flame tamers.

NOW YOUR GAS GRILL IS READY TO USE. Before first use and at the beginning of each barbecue season:

1. Please read Safety, Lighting and Operating Instructions carefully.
2. Check gas valve orifices, burner tubes and burner ports for any obstructions
3. PERFORM GAS LEAK CHECK -SEE **PAGE 2**.

# **LIGHTING & OPERATING INSTRUCTIONS**

## **LIGHTING PROCEDURES**

### **Lighting Main Burner(s):**

1. Become familiar with safety guidelines at front of manual. **DO NOT SMOKE WHILE LIGHTING GRILL OR CHECKING GAS SUPPLY CONNECTIONS.**

2. If your grill fuel source is a LP gas cylinder, check to see that cylinder is filled.
3. Check the end of each burner tube is properly located over each valve orifice.
4. Make sure all gas connections are securely tightened. **TEST FOR LEAKS WITH A SOAP SOLUTION, NEVER WITH A FLAME.** (Gas Leak Check instructions are on page 2).
5. Always open lid before lighting.
6. Set ALL BBQ Grill control knobs to OFF” and open gas supply, LP cylinder or Natural Gas Valve.
7. Ignite only the burners you intend to use, using the same method for each: Push in control knob fully and rotate slowly (3 to 4 seconds) about 1/4 turn to the left (counter clockwise) until a click is heard. The 3 to 4 second duration should provide enough gas to light the burner. If the burner does not light, immediately return the control knob to ‘OFF’, wait several minutes for the gas to disperse, and repeat the process. After burner ignites, repeat procedure with any other burner needed.
8. Adjust control knob(s) to desired cooking temperature.

**NOTE:** If for some reason, igniters fail to produce a spark at the electrode tip, burners can be lit with a match.

**NOTE: To light gas grill with a match,** follow steps 1 through 6 above. Remove cooking grid and flame tamer from burner you wish to light. Insert lighted fireplace-type match or long-necked butane lighter placing flame near to burner ports. Press in control knob and rotate left to “HI” setting to release gas. Burner should light immediately. If more than one burner is needed, repeat procedure with each burner. Replace flame tamer and cooking grid. Turn off burners not needed, and adjust other burners to desired cooking temperature.

#### **Lighting Rotisserie Burner (if equipped):**

The rear infrared rotisserie burner allows for slow rotisserie cooking of meats and poultry. Infrared burners radiate heat onto the outer surface of the food. This allows cooking without the grease drippings burning on the flame tamers.

#### **To light Rotisserie Burner,**

1. Always open lid before lighting.
2. Set ALL BBQ Grill control knobs to OFF” and open gas supply, LP cylinder or Natural Gas Valve.
3. The Control knob is located at the middle of the Control Panel. Push in control knob fully and rotate slowly (3 to 4 seconds) about 1/4 turn to the left (counter clockwise) until a click is heard. The 3 to 4 second duration should provide enough gas to light the burner. If the burner does not light, immediately return the control knob to ‘OFF’, wait several minutes for any accumulated gas to clear out of the grill. Keep lid closed and operate burner at the “ON” position when roistering.

**WARNING:** Never operate Rotisserie Burner with main (other) burner(s) ON  
 Warming Rack must be removed when Rotisserie Burner is ON

**Do not attempt to regulate the rotisserie burner by using the control knob. This control has a fixed setting and is not adjustable.**

**NOTE:** Initially, the Ceramic Panel will have a blue flame that, after some time, will change to an orange flame and the Ceramic Panel will glow an orange color. ***This may not be evident in bright daylight.***

**To light Rotisserie Burner with a match**, Follow steps 1 through 2 above. Insert lighted fireplace-type match or long-necked butane lighter placing flame near to the Ceramic Panel. Press in control knob and rotate left (counter clockwise) to “HI” or “ON” setting to release gas. Burner should light immediately.

# **LIGHTING & OPERATING INSTRUCTIONS**

## **OPERATING PROCEDURE**

**Burn-off:** Before cooking on your gas grill for the first time, burn the grill to get rid of any odors or foreign matter by igniting the burners, closing the lid, and operating at “HI” setting for about five minutes. You may then either set the controls to “OFF” or cook on your grill immediately by turning the control knobs to a lower setting.

**CAUTION: DO NOT LEAVE GRILL UNATTENDED.**

**Preheating:** It is necessary to preheat the grill for a short time before cooking certain foods, depending on the type of food and the cooking temperature. Food that requires a high cooking temperature needs preheat for five minutes; food that requires a lower cooking temperature needs only a period of two to three minutes. There is no need to preheat for casseroles or other foods that require slow cooking.

## COOKING TEMPERATURES

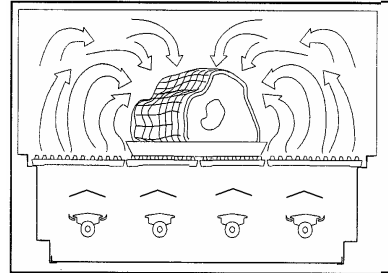
**HIGH Setting** - Use this setting only for fast warm-up, for searing steaks and chops, and for burning food residue from the cooking grids after the cookout is over.

**MEDIUM SETTING** - Use this setting for most grilling, roasting or baking, and for cooking hamburgers and vegetables.

**LOW SETTING** - Use this setting for all smoke cooking, rotisserie cooking, and when cooking very lean cuts such as fish.

These temperatures vary with the outside temperature and the amount of wind.

**Cooking With Indirect Heat:** You can cook poultry and large cuts of meat slowly to perfection on one side of the grill by indirect heat from the next burner. The heat from the lighted burner circulates gently throughout the grill, cooking the meat or poultry without any direct flame touching it. This method greatly reduces flare-ups when cooking extra fatty cuts, because there is no direct flame to ignite the fats and juices that drip down during cooking. Place a drip pan slightly smaller than the cut of meat on the cooking grids or flame tamer surface under the meat being cooked. This will allow you to catch meat juices for making gravy.



**Flare-Ups:** The fats and juices that drip from the meat cause flare-ups. Since flare-ups impart the distinctive taste and color for food cooked over an open flame, they should be expected and encouraged within reason. Nevertheless, uncontrolled flaring can result in a ruined meal. To control excessive flare-ups caused by too high a heat setting, turn the heat control knob to a lower setting.

**CAUTION:** If burners go out during operation, close gas supply at source, and turn all gas valves off. Open lid and wait five minutes before attempting to re-light (this allows accumulated gas fumes to clear).

**CAUTION:** Should a grease fire occur, close gas supply at source, turn off all burners and leave lid closed until fire is out.

**CAUTION:** Do not attempt to disconnect any gas fitting while your barbecue is in operation.

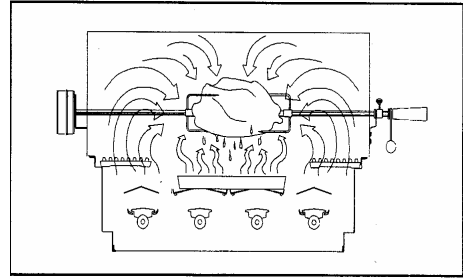
# LIGHTING & OPERATING INSTRUCTIONS

## ROTISSERIE COOKING

Rotisserie is mostly used to cook large pieces of meat and poultry to assure slow, even cooking. The constant turning provides a self-basting action, making food cooked on a rotisserie exceptionally moist and juicy. Rotisserie cooking generally requires 1 ½ to 4 ½ hrs to cook depending on the size and type of meat being cooked. You can have rotisserie cooking with indirect heat as shown or with infrared rotisserie burner.

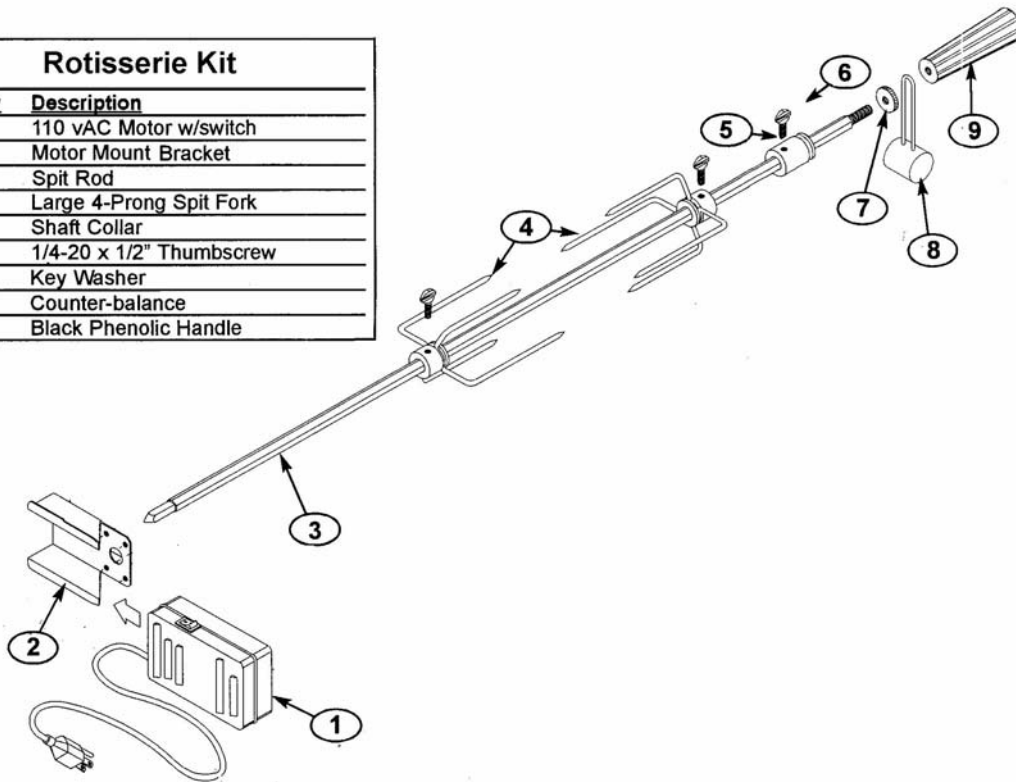
For successful roasting, the meat should be centered and balanced as evenly as possible on the spit rod to avoid overworking the rotisserie motor. (see rotisserie kit assembly shown below)

Since indirect heat is often used in cooking on a rotisserie, a foil or aluminum drip pan is advisable to prevent excessive flare-ups. Generally, the cooking grills are removed to allow for the swing of the rotisserie. A basting pan is placed under the rotisserie area on top of the flame tamer(s) to catch the drippings.



**WARNING:** Never operate Rotisserie Burner with main (other) burner(s) "ON".  
 Warming Rack must be removed when Rotisserie Burner is ON

Rotisserie Kit		
Item	Qty	Description
1	1	110 vAC Motor w/switch
2	1	Motor Mount Bracket
3	1	Spit Rod
4	2	Large 4-Prong Spit Fork
5	1	Shaft Collar
6	3	1/4-20 x 1/2" Thumbscrew
7	1	Key Washer
8	1	Counter-balance
9	1	Black Phenolic Handle



## CLEANING & MAINTENANCE

### CLEANING THE COOKING GRIDS

After cooking, turn control knobs to "OFF" and let grill cool before attempting to clean your cooking grids. Before first use and periodically it is suggested that you wash the cooking grids in a mild soap and warm water solution. You can use a washcloth or a vegetable brush to clean your cooking grids. Take care not to chip the porcelain coating.

### CLEANING THE FLAME TAMERS AND HEAT SHEILDS

Washing the flame tamers and heat shields after every use is not necessary but periodically it is suggested you wash the them in a soap and warm water solution. Use a wire brush to remove stubborn burned on cooking residue. Dry the flame tamers and heat shields thoroughly before you reinstall it in the cooking bowl.

## **CLEANING THE BURNERS.**

**IMPORTANT:** Gas control knobs should be in the 'OFF' position, and fuel line should be disconnected from gas valve manifold. To reduce the chance of FLASHBACK, the procedure below should be followed at least once a month or when your grill has not been used for an extended period of time.

1. Remove burners from grill by carefully lifting each burner up and away from gas valve orifice.
2. Wire brush entire outer surface of burner to remove food residue and dirt. Clean any clogged ports with a stiff wire such as an open paper clip.
3. Inspect the burner for damage (cracks or holes) and if such damage is found, order and install a new burner.
4. After installation, check to insure that gas valve orifices are correctly placed inside ends of burner tubes. Also check position of spark electrode.

## **CLEANING THE GREASE TRAY**

The grease tray should be emptied and wiped down periodically and washed in a mild detergent and warm water solution.

## **ANNUAL CLEANING OF GRILL HOUSING**

Burn-off the grill after every cookout will keep it ready for instant use, however, once a year you should give the entire grill a thorough cleaning to keep it in top operating condition.

1. Shut off gas supply at source and disconnects fuel line from gas valve manifold. Protect fuel line fitting.
2. Remove and clean (as explained before) the cooking grids, flame tamers and burners.
3. Remove warming rack and wash with mild detergent and warm water.
4. Cover the gas valve orifices with a piece of aluminum foil.
5. Brush the inside and bottom of the grill with a stiff wire brush, and wash down with a mild soap and warm water solution. Rinse thoroughly and let dry.
6. Remove aluminum foil from orifices and check orifices for obstruction.
7. Check electrode as instructed on page 7.
8. Replace flame tamers, cooking grids, and warming rack.
9. Reconnect to gas source and observe burner flame for correct operation.

**IMPORTANT:** You should NOT line the bottom of the grill housing with aluminum foil, sand or any other grease absorbent substance. Grease will not be able to drip down into grease collector and a grease fire could occur.

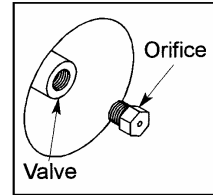
# **TROUBLESHOOTING**

## **If grill fails to operate properly**

1. Turn off gas at source, turn control knobs to "OFF", and wait five minutes before trying again
2. Check gas supply/connections.
3. Repeat lighting procedure and, if grill still fails to operate properly, **TURN "OFF" GAS AT SOURCE, TURN CONTROL KNOBS TO "OFF"**, wait for grill to cool, and check the following:
  - a. **Misalignment of burner tube(s) over orifice(s)**  
**CORRECTION:** Reposition burner tube to properly seat over orifice.
  - b. **Obstruction in gas line**  
**CORRECTION:** Remove fuel line from grill. DO NOT SMOKE! Open gas supply for one second to blow any obstruction from fuel line. Close off gas supply at source and reconnect fuel line to grill.

c. **Plugged orifice**

**CORRECTION:** Remove cooking grids, flame tamers, grease draining tray. Remove burners from bottom of grill bowl by pulling cotter pin from beneath burner peg using a screwdriver or needle nose pliers. Carefully lift each burner up and away from gas valve orifice. Remove the orifice from each burner up and away from gas valve and gently clear any obstruction with a fine wire. Re-install each orifice, reinstall burners over orifices and seat each burner peg into mounting bracket at bottom of grill bowl. Replace cotter pins. Replace cooking components and grease collectors. If an obstruction is suspected in gas valve(s) or gas valve bracket, please contact your gas grill dealer or gas appliance service person for assistance.



d. **Misalignment of igniter on burner**

**CORRECTION:** Check for proper position of electrode tip. The tip of the electrode should be pointing forward toward the front and free from grease for spark discharging. The ignition wire should be connected to the valve ignition and electrode firmly. Replace the ignition wire if the wire were broken or cracked. With gas supply closed and all control knobs set to "OFF", check each positive igniter individually for presence of spark at electrode. In turn, push each control knob in fully and rotate about 1/4 turn to the left (counter-clockwise) until click is heard; the trigger hitting the strike block should produce a blue spark at the electrode tip. Return control knob to "OFF" before checking next igniter. If re-ignition is necessary.

While the gas grill is still hot, you must wait for a minimum of five minutes before commencing to re-ignite (this allows accumulated gas fumes to clear). If all checks/corrections have been made and gas grill still fails to operate properly, consult your grill dealer or gas appliance service person.

**YELLOW FLAME**

Once the entire burner is operating, check the flame color to be sure it is mostly blue (some yellow color will be present because of impurities in the fuel). If the flame is golden or yellow in color the reason could be seasoning salts, oil film, or other foreign matter on burner.

**CORRECTION:** Either wash burner with mild detergent, or operate burner at "HI" setting with lid closed for about 10 minutes.

**FLASH BACK:**

When fire occurs in and around the burner tubes, immediately turn off gas at its source and turn the control knob(s) to "OFF". Wait until the grill has cooled, then clean the burner tubes and burner ports as described on page 7.

# PARTS LIST

**Model No.18039 High Grade Commercial Stainless Steel Bull 7 Burner Grill, NG**

**Model No.18038 High Grade Commercial Stainless Steel Bull 7 Burner Grill, LP**

ITEM	DESCRIPTION	QTY.	
1	LID , FRONT, ASSEMBLY		
1-1	LID , FRONT	1 SET	
1-2	LID , HANDLE	1 SET	
1-3	HEAT INDICATOR	1 PCS	
2	LID , REAR , ASSEMBLY		
2-1	LID , REAR	1 SET	
2-2	INFRARED ROTISSERIE BURNER	1 PCS	
2-3	LID , REAR , BACK PANEL	1 PCS	
2-4	WARMING RACK	1 PCS	
2-5	WARMING RACK, BRACKET	2 PCS	
2-6	ROTISSERIE KIT	1 SET	

2-7	ROTISSERIE MOTOR	1 PCS	
2-8	ROTISSERIE MOTOR BRACKET	1 PCS	
3	BOWL , ASSEMBLY		
3-1	BOWL	1 SET	
3-2	BOWL , BACK PANEL	1 PCS	
3-3	FLAME TAMER ( SMOKER BOX )	1 PCS	
3-4	LIGHTING SPARK	1 SET	
3-5	HRAT SHIELD	3 PCS	
3-6	COOKING GRID	4 PCS	
3-7	FLAME TAMER ( MAIN BURNER )	4 PCS	
3-8	BRASS , BAR , BURNER	4 SET	
3-9	SIDE SHELF	2 PCS	
3-9-1	STAINLESS STEEL HANDLE	4PCS	
3-9-2	STAINLESS STEEL HOOK	4PCS	
3-10	WIRE (LIGHTING SPARK )	1 PCS	
3-11	GAS VALVE ASSEMBLY (MAIN BURNER)	4 SET	
3-12	GAS VALVE ASSEMBLY (INFRARED BURNER)	1 SET	
3-13	GAS VALVE ASSEMBLY (SIDE BURNER)	2 SET	
3-14	MANIFOLD	1 SET	
3-15	TAG , LIGHTING INSTRUCTION	1 PCS	
3-16	GREASE TRAY ASSEMBLY	1 SET	
3-17	GREASE TRAY ASSEMBLY (SIDE BURNER)	1 SET	
3-18	REGULATOR ( L.P. GAS ONLY )(11" W.C.)	1 SET	
3-19	STAINLESS STEEL GAS CONNECTOR	1 SET	
3-20	CONNECT FITTING	1 PCS	
3-21	REGULATOR (NG. GAS ONLY )(4" W.C.)	SET	
3-22	CONNECT FITTING	1 PCS	
3-23	STAINLESS SOFT TUBE	1 SET	
3-24	NOZZLE (INFRARED BURNER)	1 SET	
3-A	LID for SIDE BURNER	1 SET	
3-B	GRID for SIDE BURNER	1 PCS	
3-C	BRASS CAP for SIDE BURNER	2 PCS	
3-D	BURNER SET for SIDE BURNER	2 SET	
3-E	BOWL for SIDE BURNER	1 PCS	
3-F	VENTURI for SIDE BURNER	2 PCS	
3-G	NOZZLE for SIDE BURNER	2 PCS	
3-H	SOFT TUBE (SHORT)	1 SET	
3-I	SOFT TUBE(LONG)	1 PCS	
3-J	WIRE (LIGHTING SPARK ) (SHORT)	1 SET	
3-K	WIRE (LIGHTING SPARK ) (LONG)	1 SET	
3-L	BRACKET for SPARK	2 PCS	
3-M	LID HANDEL FOR SIDE BURNER	1 SET	
ITEM	DESCRIPTION	QTY.	
4	CONTROL PANEL ASSEMBLY		
4-1	CONTROL PANEL	1 SET	
4-2	BEZEL (MAIN BURNER, SIDE BURNER)	6 PCS	
4-3	KNOB (MAIN BURNER, SIDE BURNER)	6 PCS	
4-4	SMOKER BOX	1 SET	
4-5	KNOB (INFRARED BURNER)	1 SET	
4-6	BEZEL (INFRARED BURNER)	1 PCS	
5	DRAWER FRAME ASSEMBLY		
5-1	DRAWER FRAME ASSEMBLY	1 SET	
5-2	DRAWER ASSEMBLY	2 SET	
6	CART FRAME ASSEMBLY		
6-1	CART , TOP PANEL	1 PCS	
6-2	CART , SIDE PANEL , LEFT	1 PCS	
6-3	FRONT DOOR , LEFT	1 SET	
6-4	CROSS METAL BAR , FRONT	1 PCS	
6-5	CASTER ( w / BRAKE)	2 PCS	
6-6	CART , BOTTOM ASSEMBLY	1 SET	

6-7	CASTER	2 SET	
6-8	FRONT DOOR , RIGHT	1 SET	
6-9	CART , SIDE PANEL , RIGHT	1 PCS	
6-10	CROSS METAL BAR , REAR	1 PCS	
6-11	CART , REAR PANEL (GAS TANK)	1 SET	
6-12	CART , REAR PANEL	1 PCS	
6-13	BOTTLE BOX	1 PCS	

## HOW TO ORDER REPLACEMENT PARTS

Please refer to the parts list.

To make sure you obtain the correct replacement parts for your gas grill, the following information is required to assure getting the correct part.

1. Gas grill model number (see data sticker on grill) and type of gas hook up.
2. Reference number of replacement part needed.
3. Description of replacement part needed
4. Quantity of parts needed.

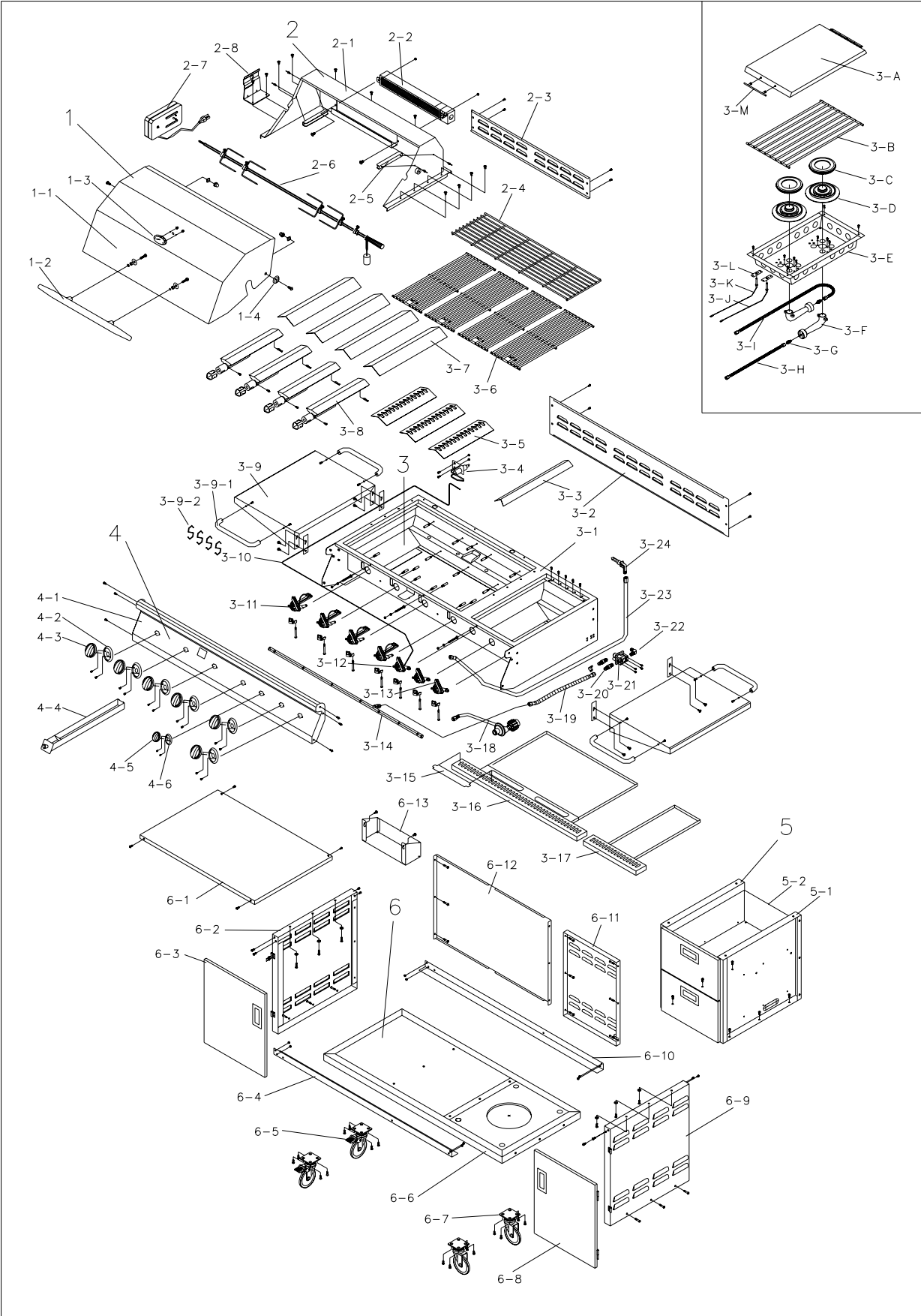
**IMPORTANT:** Use only factory authorized parts. The use of any part that is not factory authorized can be dangerous. This will also void your warranty.

**IMPORTANT:** Keep this assembly and operating instruction manual for referral and for replacement parts ordering.

**CAUTION:** Gas valves are preset at the factory. If you wish to convert at some later date, be sure to contact your gas supplier or grill dealer before making the conversion.

**CAUTION:** A different gas valve must be installed when converting from one type of gas to another. You will also need a data plate indicating what type of gas the grill uses.

# ILLUSTRATED PARTS LIST





## LIMITED WARRANTY

Bull Outdoor Products, Inc. warrants to the original purchaser at the original site of delivery with proof of purchase of each Outdoor Gas Grill that when subject to normal residential use, it is free from defects in workmanship and materials for the periods specified below. This warranty excludes grills used in rental or commercial applications. It does not apply to rust, corrosion, oxidation or discoloration, which may occur due to moisture or overheating, unless the affected component becomes inoperable. It does not cover labor or labor related charges. There will be shipping and handling charge for the delivery of the warranty part(s).

<u>Component</u>	<u>Warranty Period</u>	
Cast Iron Burner .....	5	Years
Cast Brass Burner .....	20	Years
Stainless Steel Burner .....	5	Years
Stainless Steel Flame Tamer .....	3	Years
Porcelain Cast Iron Cooking Grids .....	3	Years
Stainless Steel Cooking Grids .....	Lifetim	e
Gas Valves .....		
1 Year		
Painted Frame, Housing, Cart, Control Panel, Igniter system and others ..	1	Year
Stainless Steel Frame, Housing .....	Lifetim	e

Our obligation under this warranty is limited to repair or replacement, at our option, of the product during the warranty period. The extent of any liability of Bull Outdoor Products, Inc., under this warranty is limited to repair or replacement. This warranty does not cover normal wear of parts, damage resulting from any of the following: negligent use or misuse of the product, use on improper fuel/gas supply, use contrary to operating instructions, or alteration by any person other than our factory service center. The warranty period is not extended by such repair or replacement.

**Warranty claim procedure:** If you require service or parts for your Bull grill, please contact our Warranty Service Center for factory direct assistance. Our hours of operation are 8AM to 4 PM PST. Our phone number is **(800) 521-2855** and our FAX number is **(909) 988-4051**. Please direct all correspondence to: **Bull Outdoor Products, Inc., Ontario, CA 91761** ATTN: Warranty Service Center

Product repair as provided under this warranty is your exclusive remedy. Bull Outdoor Products, Inc. shall not be liable for any incidental or consequential damages for breach of any express or implied warranty on its products. Except to the extent prohibited by applicable law, any implied warranty or merchantability or fitness for a particular purpose on this product to the duration of the above warranty. Some states do not allow the exclusion or limitation of incidental or consequential damages, or allow limitations on how long an implied warranty lasts, so the above limitations or exclusions may not apply to you. This warranty gives you specific legal rights, and you may have other rights, which vary from state to state.

Model Number \_\_\_\_\_ Serial Number \_\_\_\_\_

Date of Purchase \_\_\_\_\_ Purchased From \_\_\_\_\_