

THERMOS®

Tabletop Propane Gas Grill Model 461111803 For Outdoor Use Only

Please read Safety and Precaution statements, Grill Maintenance, Leak Testing Your Grill, and Lighting your grill before using grill for first time.

To the installer: Leave instructions with consumer for future reference.

To the consumer: Please keep these instructions for future use.

Call Grill Service Center for Help and Parts

- If you need help or warranty parts call **1-800-241-7548**, U.S., or **1-800-387-6057**, CAN., or send a FAX to 1-706-576-6355. Business hours: **Open 24 hours – Seven days a week.**
- To order non-warranty replacement parts or to buy accessories (*cleaners, paint*) call 1-800-993-2677 or send a FAX to 1-706-565-2121.
- Please know your date of purchase prior to calling.

Safety Symbols



The symbols and boxes shown below explain what each heading means. Read and follow all of the messages found throughout the manual.



	CAUTION	
CAUTION: Indicates a potentially hazardous situation which, if not avoided, may result in minor or moderate injury.		


	WARNING	
WARNING: Be alert to the possibility of serious bodily injury if the instructions are not followed. Be sure to read and carefully follow all of the messages.		

**FAILURE TO FOLLOW THESE INSTRUCTIONS
COULD RESULT IN FIRE OR EXPLOSION WHICH
COULD CAUSE PROPERTY DAMAGE, PERSONAL
INJURY OR DEATH.**



	WARNING	
FOR YOUR SAFETY		
<ol style="list-style-type: none">1. Do not store or use gasoline or other flammable vapors and liquids in the vicinity of this or any other appliance.2. An LP cylinder not connected for use shall not be stored in the vicinity of this or any other appliance.		
FOR YOUR SAFETY		
If you smell gas:		
<ol style="list-style-type: none">1. Shut off gas to the appliance.2. Extinguish any open flame.3. Open lid.4. If odor continues, immediately call your gas supplier or your fire department.		

	WARNING	
<ul style="list-style-type: none">• Grill is for outdoor use only. Grill should be operated in a well-ventilated space. Never operate in an enclosed space, garage or building. Your grill is not intended to be installed in or on recreational vehicles and/or boats.• Do not install or use grill within 36" (10 ft. recommended) of combustible materials from back and sides of grill. Grill shall not be located under overhead surfaces (closed carport, garage, porch, patio) that can catch fire.• Never attempt to attach this grill to the self-contained LP gas system of a camper trailer or motor home.• It is the responsibility of the assembler/owner to assemble, install and maintain gas grill. Do not let children operate or play near your grill. Failure to follow these instructions could result in serious personal injury and/or property damage.• Remove lid before lighting grill. When grill is not in use, turn off control knob on regulator.• Carefully follow instructions in this manual for proper assembly and leak testing of your grill. Do not use grill until leak checked. If leak is detected at any time, it must be stopped and corrected before using grill further.• Appliance area should be kept clear and free from combustible materials, gasoline, bottled gas in any form and other flammable vapors and liquids. Do not obstruct flow of combustion and ventilation air.• Ensure proper bottle position prior to lighting your grill. Bottle should be vertical.• Never try to light grill with lid closed! Buildup of gases is very dangerous and could cause an explosion.		



	CAUTION	
Some parts may contain sharp edges – especially as noted in manual! Wear protective gloves if necessary.		

WARNING

- **Do not** leave your grill unattended while in operation.
- **Do not** use while under the influence of drugs or alcohol.
- **Do not** store any spare LP (propane) cylinder, full or empty, under or near your grill.
- Appliance is **not** intended for commercial use or rental.

Installation Safety Precautions

- Installation must conform with local codes or, in the absence of local codes, with the National Fuel Gas Code, ANSI Z223.1, Storage and handling of Liquefied Petroleum Gases, ANSI/NFPA 58 or CSA B149.1, Natural Gas and Propane Installation Code.
- Visually check burner flames (see illustration).
- Only cylinders marked "propane" must be used. The cylinder must be disconnected when the appliance is not in use.
- The pressure regulator supplied with the appliance must be used. Replacement pressure regulators must be those specified by the manufacturer.
- Cylinder supply system must be arranged for vapor withdrawal.
- The LP gas supply cylinder to be used must be constructed and marked in accordance with the specifications for LP gas cylinders of the U.S. Department of Transportation (DOT) CFR 49, or the National Standard of Canada, CAN/CSA-B339, Cylinders, Spheres and Tubes for the Transportation of Dangerous Goods.



Propane Gas Cylinders

- Your grill is designed to operate with one 16.4 oz. disposable cylinder (Dot 39 Cylinder) that is 7-3/8" high (not included).
Do not attempt to refill any 16.4 oz. disposable fuel cylinders.
- The cylinder must be installed, transported and stored in an upright position and should not be dropped or handled roughly.
- When the appliance is to be stored indoors, the propane gas cylinder must be disconnected from the appliance.
- When the propane gas cylinder is not disconnected from the appliance, the appliance and cylinder must be stored outdoors in a well-ventilated space.
- The cylinder should never be transported or stored where temperature can reach 125°F (51°C).
- Cylinders must be stored outdoors out of the reach of children and must not be stored in a building, garage, or any other enclosed area.

WARNING

Natural Hazards — Insects and Spiders

A clogged tube can lead to a fire beneath the appliance. During shipment or storage, it is possible that small insects and spiders could find their way into the venturi tubes and make nests or webs. This could block the flow of gas through the venturi tube causing a smoky yellowish flame, or prevent a burner from lighting. It could even cause the gas to burn outside the venturi tube, which could seriously damage your grill. If this occurs, turn off the gas flow and wait for the grill to cool. When the grill has cooled, remove the burner and clean out the venturi tube with a brush or pipe cleaner. Replace the burner and be sure that the venturi tube is seated over the orifice located on the gas valves. Cleaning of the venturi tube should be conducted periodically, especially at the start of the season.



Note: Damage resulting from blocked venturi tube is not covered under warranty.

One Year Limited Warranty

THERMOS warrants to the original consumer-purchaser that this product shall be free from defects in workmanship and materials under normal and reasonable use and correct assembly (if assembled by consumer-purchaser) for a period of one (1) year from date of original consumer purchase.

THERMOS will, at its option, refinish or replace any product or part found to be defective during the warranty period. **THERMOS** may require you to return the part(s) claimed to be defective, for its inspection, freight or postage prepaid.

If you wish to obtain performance of any obligation under this limited warranty, you should write to:

THERMOS
Consumer Warranty / P.O. Box 1240
Columbus, GA 31902-1240

THERMOS may require reasonable proof of purchase and we suggest you keep your invoice.

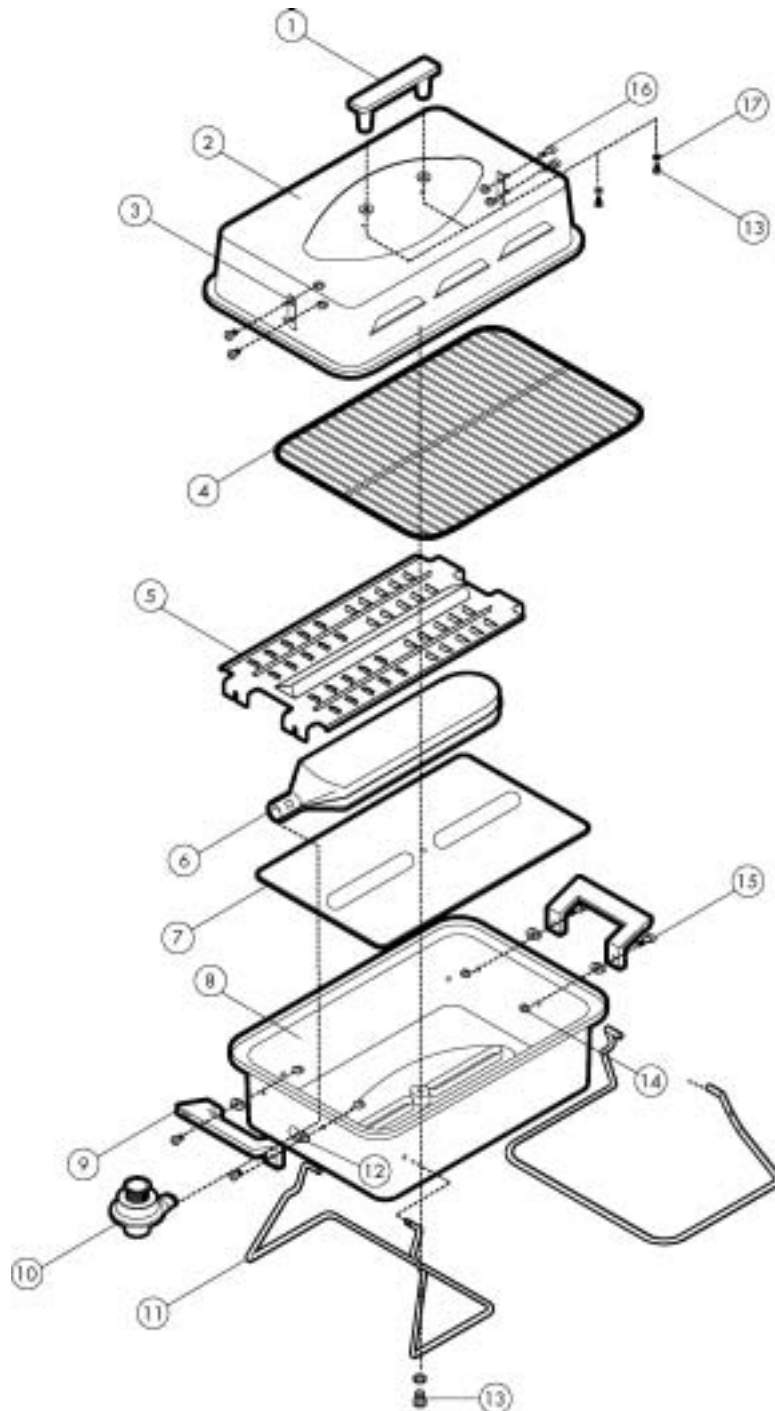
In the State of California only, if refinishing or replacement of the product is not commercially practicable, the retailer selling this product or **THERMOS** will refund the purchase price paid for the product, less the amount directly attributable to use by the original consumer-purchaser prior to discovery of the nonconformity. In addition, in the State of California only, you may take the product to the retail establishment from which it was purchased or to any retail establishment selling this product in order to obtain performance under this warranty.

This warranty does not include the cost of any inconvenience or property damage due to failure of the product and does not cover damage due to misuse, abuse, accident, damage arising out of transportation of the product, or damage incurred through commercial use of the product. This express warranty is the sole warranty given by the manufacturer and is in lieu of all other warranties, express or implied, including implied warranty of merchantability or fitness for a particular purpose. Neither **THERMOS** dealers nor the retail establishment selling this product has any authority to make any warranties or to promise remedies in addition to or inconsistent with those stated above. **THERMOS** maximum liability, in any event, shall not exceed the purchase price of the product paid by the original consumer-purchaser. Some states do not allow the exclusion or limitation of incidental or consequential damages. So the above limitations or exclusions may not apply to you. This warranty gives you specific legal rights and you may also have other rights which vary from state to state.

Parts List

Item no.	Quantity	Description	Part no.
1	1	Handle	G102-0001-9031
2	1	Lid	G102-0002-0031
3	2	Hinge Bracket	G102-0003-0031
4	1	Cooking Grate	G102-0004-9081
5	1	Heat Distribution Plate	G102-0005-0000
6	1	Burner	G102-0100-0000
7	1	Heat Resistant Shield	G102-0010-0000
8	1	Bottom	G102-0006-0031
9	2	Ear Handle	G102-0007-9031

Item no.	Quantity	Description	Part no.
10	1	Regulator/Valve Set	G102-0200-9000
11	2	Leg	G102-0008-9081
12	6	Spacer	G102-0009-9000
13	3	1/4" x 3/8" Screw	20120-13010-031
14	8	3/16" Hexagon Nut	30224-13000-031
15	4	3/16" x 3/4" Screw	20124-10018-031
16	4	3/16" x 3/8" Screw	20124-10010-031
17	2	15/64" Plain Washer	40100-13000-031



Assembly Instructions

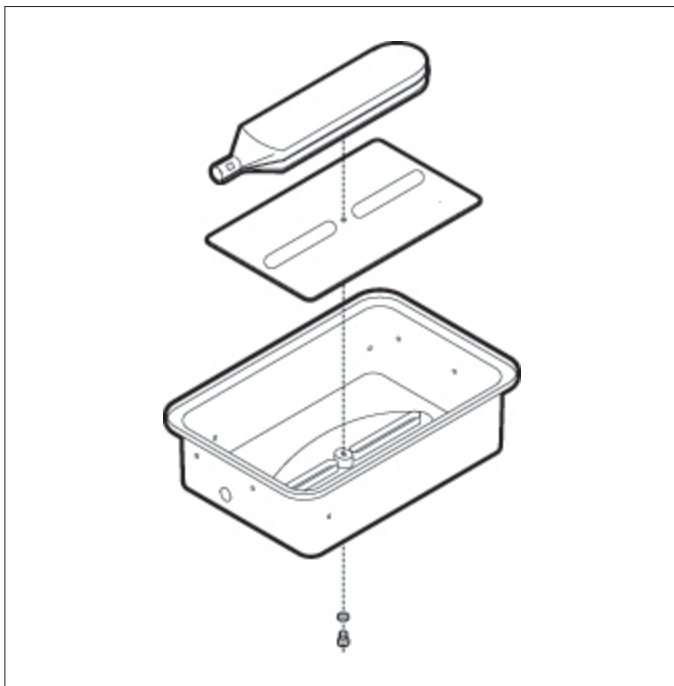
Tools Needed

- 5/16" open-ended wrench
- Slotted screwdriver
- Pliers
- Phillips® screwdriver

Pre-Assembly Checklist

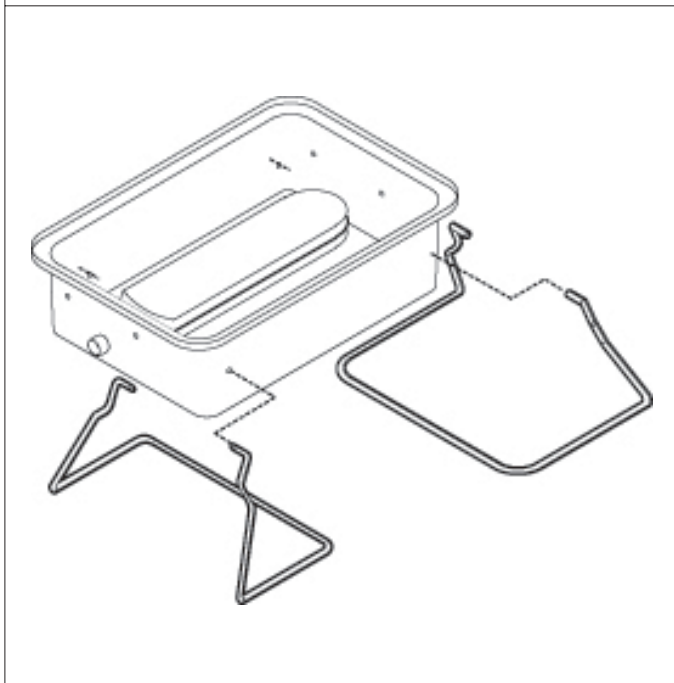
To ensure fast and easy assembly, follow the instructions below in their proper sequence.

- Check all parts carefully and compare them to the parts list.
- Report any missing parts to the company from which you purchased the product.



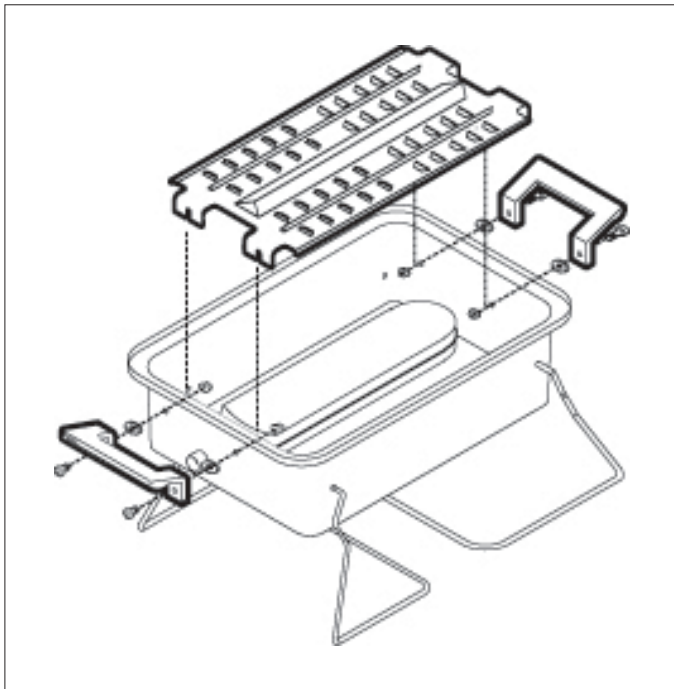
1

Place heat resistant shield (7) on bottom (8). Insert narrow burner end through hole in base, push bottom stud (13) through center hole.



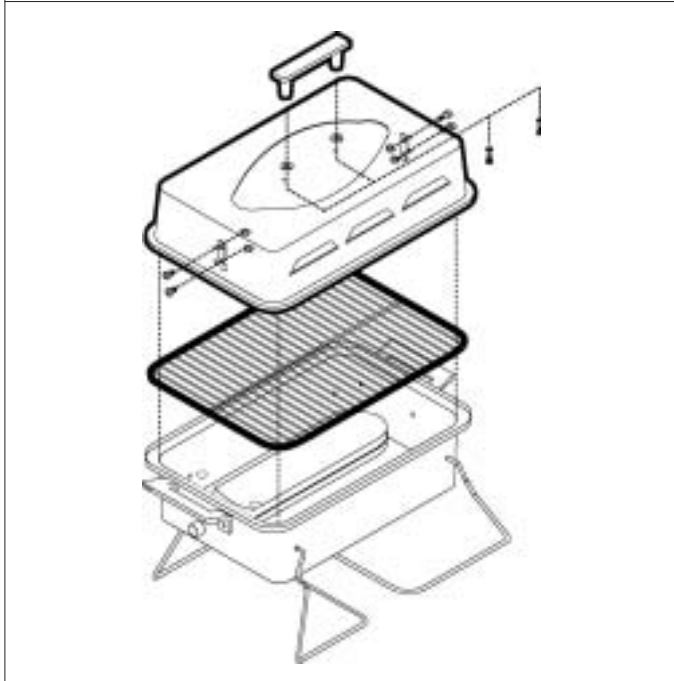
2

Install legs (11) as shown through holes in base.



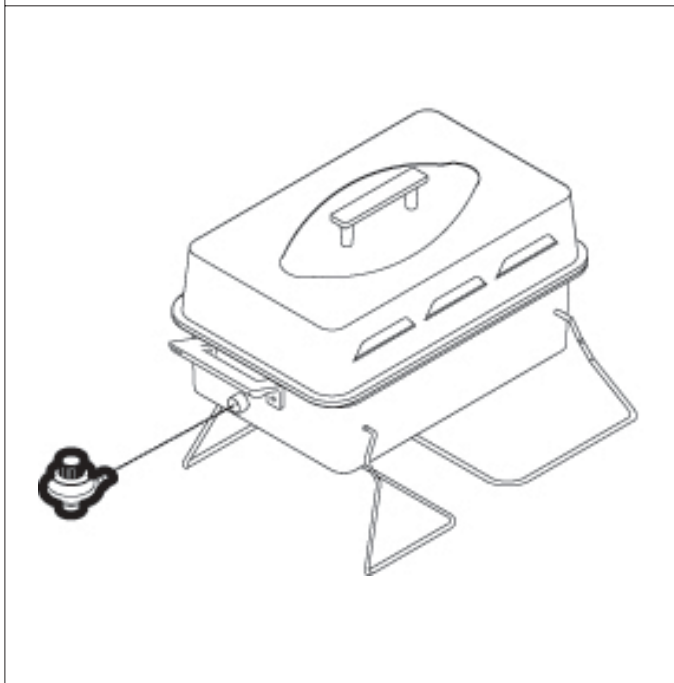
3

Loosely install handle brackets (9) with screws (15), spacers (12) and nuts (14). Position heat plate (5) over screws so nuts are on inside of plate flanges. Tighten screws.



4

From inside of lid, attach resin handle (1) using screws (13) and washers (17). From inside of lid, install 2 hinge brackets (3) using bolts (16), and nuts (14). Be sure slots in brackets face the same direction.



5

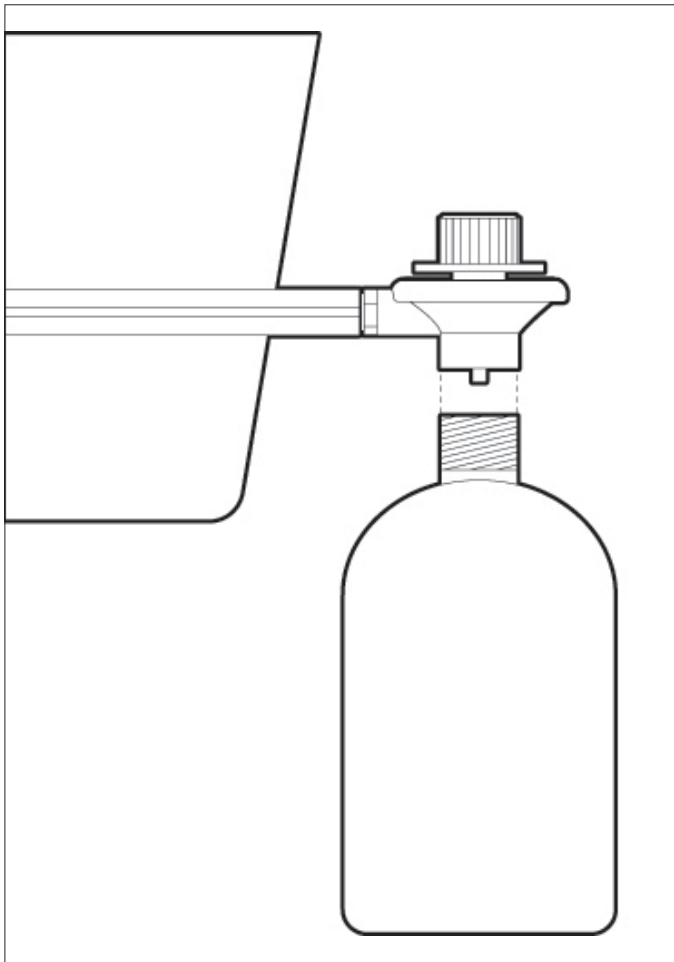
Before assembly, inspect regulator for damage, dirt or debris accumulation. Clean out if present.

With knob **pointing down**, insert regulator (10) into end of burner.

Notch in regulator *must* engage dimple in end of burner.

Once regulator has **completely engaged** burner, turn regulator **clockwise** to lock in position with knob pointing up.

6



Remove cap from end of propane cylinder. Cap should be kept on cylinder when not in use to prevent dirt and debris from entering regulator valve. Check end of cylinder attachment for dirt and debris. Clean out if necessary.

Insert threaded end of cylinder into regulator and hand-tighten. **Do not use tools!** Overtightening can damage threads on regulator.

Perform a leak test.

Please Note:

This tabletop propane gas grill has been designed to work effectively without the use of lava rocks. The reflective heat plate efficiently vaporizes the food juices to add that great barbecue taste to your food. The plate also stays in place during transportation to eliminate the messy “set-up” required with lava rocks each time you use your grill.

Leak Testing Your Grill — IMPORTANT!

- During leak test, keep grill away from open flames or sparks and do not smoke. Grill must be leak tested outdoors in a well-ventilated area.
- Leak test must be repeated each time propane cylinder is replaced or after storage.

How to leak test your grill:

Materials needed include a clean paint brush and a 50/50 soap and water solution. Use mild soap and water. **Do not use household cleaning agents.**

1. Be sure control knob on regulator is in **OFF** position.
2. Brush soapy solution onto connection between cylinder and regulator.

If growing bubbles appear, there is a leak. Retighten connection and repeat steps 1 and 2.

If you cannot stop a leak, remove cylinder from regulator and check for damaged threads, dirt and debris on regulator and cylinder. **If threads are damaged on either regulator or cylinder, replace.** Also check to see if anything is obstructing the flow of gas at regulator and cylinder openings. Remove any obstruction that may be found and repeat leak test.

Lighting Instructions

1. **Important! Remove or raise lid to open position.** Attempting to light burner with lid closed may cause an explosion. Do not expose any part of your body or clothing directly above cooking area when lighting.
2. From beneath grill, place lighted wooden match up through lighter/ventilation hole in center of bottom shell.
3. While holding match in place, turn control knob to lighting position. Grill will ignite.
4. Observe burner flames through openings in heat plate. Make sure burner ignites and stays lit on both sides.
5. Preheat grill for 6 minutes with lid closed. Using control knob on regulator, adjust flame to desired height for cooking.



WARNING



- **If grill does not light on first try, turn control knob to OFF position, wait 5 minutes and try procedures 1 through 5 again.**
- **If flame goes out while in use, turn control knob to OFF, remove or raise lid and wait 5 minutes to repeat lighting procedures.**

Before Cooking for the First Time

- Operate grill 15 minutes with grill lid closed and gas control on HIGH. This will heat-clean internal components and eliminate odor from paint finish of grill.

	<h2>CAUTION</h2>	
<p>Handle temperatures with grill on HIGH will be too HOT to touch with bare hands. Use hot pads or mits to handle the grill when hot.</p>		

Turning Grill Off

- After cooking, turn the grill off by rotating the control knob to OFF. Control knob should pop up in the OFF position. If control knob does not pop up, disconnect cylinder to turn grill off and replace the regulator.
- Allow grill to cool completely before storing.

Storing Your Grill

Be sure grill has cooled. Remove propane cylinder and install protective cap over outlet threads. Remove regulator from grill to help keep dirt out of the propane cylinder probe. Store regulator in a heavy plastic bag and place inside grill. Fold legs up over grill with lid in closed position.

Grill Maintenance

- Allow unit to cool before cleaning. Frequency of cleaning is determined by how often grill is used.
- DO NOT use self-cleaning oven to clean any grill part. Extreme heat would remove any chrome plating and cause premature rusting.
- Meat drippings will solidify in bottom of grill after a few uses. This residue should be removed regularly. Failure to do so could cause overflow at bottom vent openings and increase the chance of a grease fire.
- When cleaning grill, cover work area with newspaper. Remove grill lid and cooking grate. Loosen residue with scraper or putty knife. Wipe away loosened residue with paper towels.
- Inside surface of grill may be cleaned with a strong solution of detergent and water applied with a scrub brush. Cooking grate may be cleaned with a brass wire brush. Thoroughly rinse grill with water and allow to completely air-dry before using again.
- Place cooking grate and lid onto grill.

Troubleshooting

Note: If you are experiencing difficulty after following this guide, please call customer service.

Problem	Probable Cause/Solution
Burners will not light.	<ul style="list-style-type: none">• Out of propane.• Regulator not fully tightened to cylinder.• Inspect burner for obstructions.
Flame burns out on "LOW".	<ul style="list-style-type: none">• Has grill been sufficiently preheated before turning to "LOW"?• Too windy.

THERMOS®

A Division of W.C. Bradley Company

P.O. Box 1240

Columbus, GA 31902-1240

Certified Grill Parts And Accessories®, Char-Broil and Design®, Char-Broil (Gas Grill Briquettes)®, Char-Diamonds®, Cooking Zone and Design®, Diamond Flame®, Executive Chef®, Faststart®, Flare Fighter®, FlavorMaster®, Gas Grill Silhouette and Design®, H2O Smoker®, Lava Flame®, MasterFlame®, MasterFlame Precision Cooking System®, PowerSpark®, Quantum®, VIP®, PrecisionFlame and Design®, Sierra®, and TruFlame® are registered Trademarks of the W.C. Bradley Company. Thermos® is a registered trademark of the Thermos Company and its affiliates.

Artisan Collection by Char-Broil™, C3 and Design™, Char-Broil and Design™, Flame Design™, FlavorTents™, Grill 2 Go™, Grillin' Stick™, Keeper of the Flame™, Keepers of the Flame™, Natural Grip™, Outdoor Cooking Collection and Design™, Patio Bistro™, PrecisionFlame™, Pro-Check™, QuickSet Grills and Design™, SmokerTents™, The Big Easy™, The Minute Grill™, The Edge™, The Tuscan Collection™, and The Urban Grill™ are Trademarks of the W.C. Bradley Company. Universal Grill Parts and Design™ is a trademark of the Thermos Company and its affiliates.

Protected under one or more of the following U.S. Patents: 4,598,692; 4,624,240; 4,747,391; 4,747,391; 4,817,583; 4,924,846; 4,989,579; 5,003,960; 5,076,256; 5,076,257; 5,090,398; 5,109,834; 5,224,676; 5,277,106; 5,421,319; 5,441,226; 5,452,707; 5,458,309; 5,566,606; 5,566,606; 5,579,755; 5,582,094; 5,613,486; 5,649,475; 5,706,797; 5,711,663; 5,765,543; 5,931,149; 5,996,573; 6,095,132; 6,135,104; 6,279,566; D282,619; D339,714; D341,292; D343,337; D358,059; D361,466; D364,535; D372,637; D373,701; D377,735; D383,035; D397,910; D405,643; D405,643; D406,005; D406,009; D413,043; D413,229; D413,229; D414,982; D415,388; D416,164; D416,441; D416,441; D417,587; D422,516; D423,274; D423,876; D428,303; D435,396; D436,004; D438,059; D438,060; D438,427; D439,110; D442,505; D443,179; D443,354; D447,384; D447,385; D447,909; D448,610; D448,614; D448,615; D448,616; D448,975; D449,492 and D451,759. Canada: 87743; 87744; 92607; 92608 and 1,316,424. Other Patents Pending.