

# FIESTA GAS GRILLS



Outdoor Gas Barbeque / Grill  
Assembly Manual

## **NO TOOLS REQUIRED!**

Please follow these instructions carefully. Much of the hardware required to assemble this grill is in an individually sealed bag that is identified with respect to its application. These sealed bags will be referenced in the appropriate assembly step.

### **THIS GRILL IS FOR OUTDOOR USE ONLY**

#### Caution:

Read and follow all Safety Statements, Assembly Instructions, and Use and Care Manual Directions before attempting to assemble and cook.

#### Installer / assembler:

Leave these instructions with consumer.

#### To Consumer:

Keep this manual for future reference.

### **! WARNING**

- Failure to follow all manufacturer's instructions could result in serious personal injury and/or property damage.

### **! CAUTION**

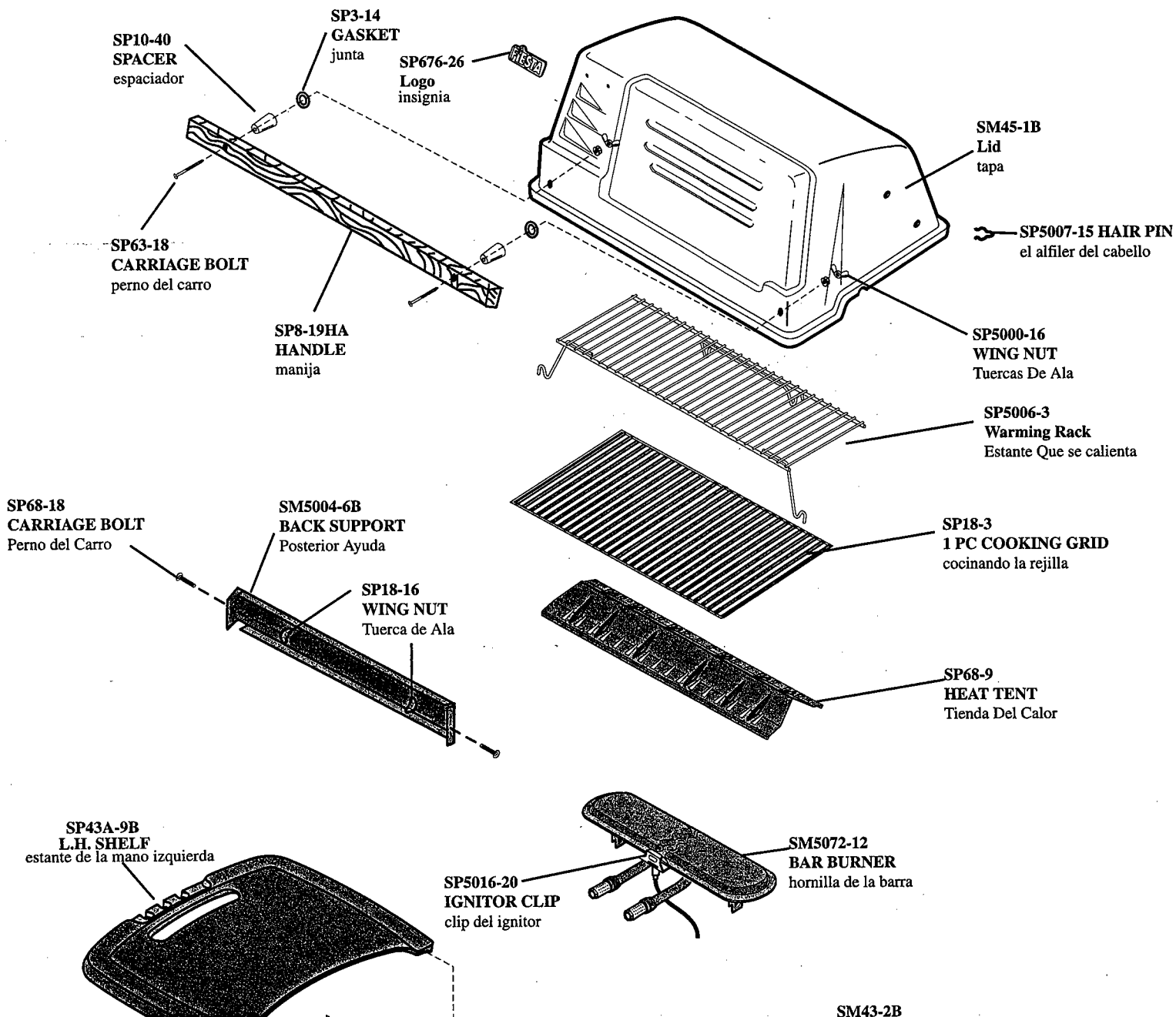
- Some parts may contain sharp edges - especially as noted in manual! wear protective gloves if necessary.

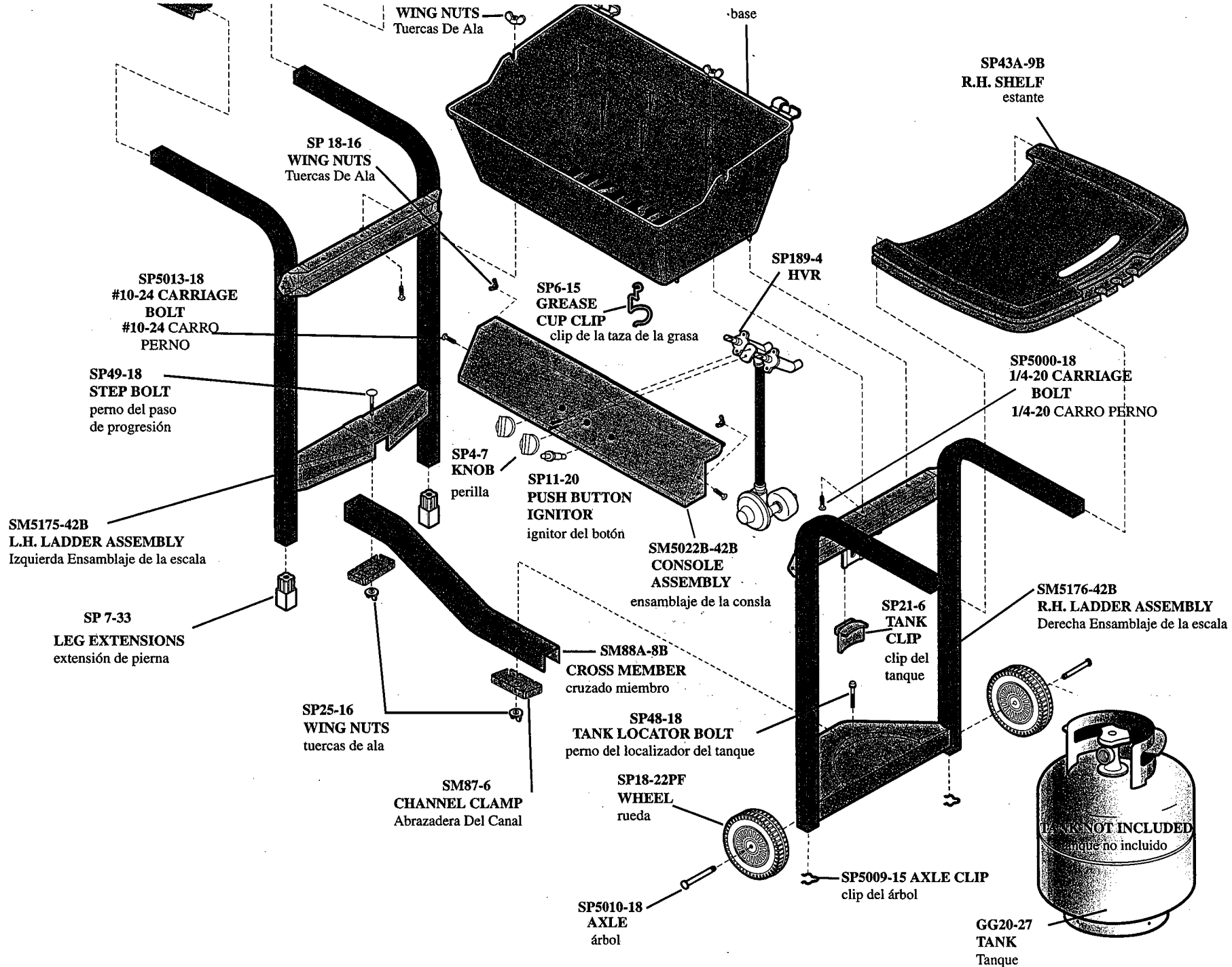
CUSTOMER SERVICE  
TOLL FREE 1-800-396-3838  
Fiesta Gas Grills LLC  
One Fiesta Dr., Dickson TN, USA 37055

**MODEL EZH24030-B303**

**SP5272-37**

# Replacement Parts / Piezas De Recambio

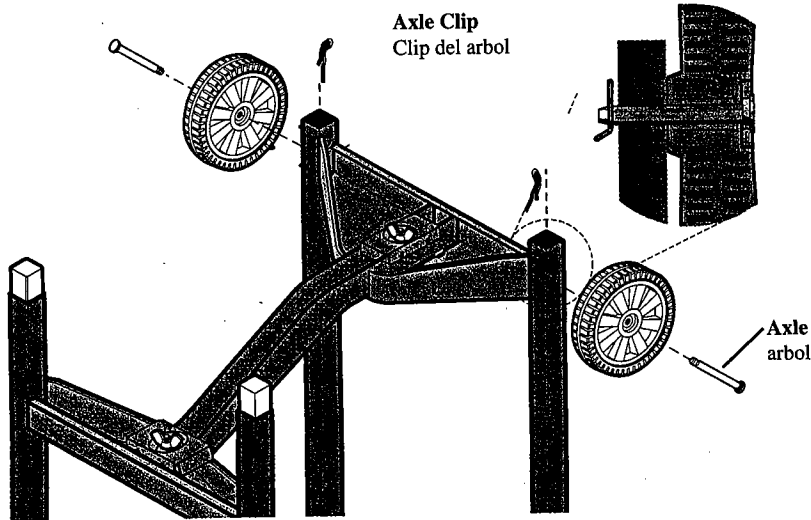
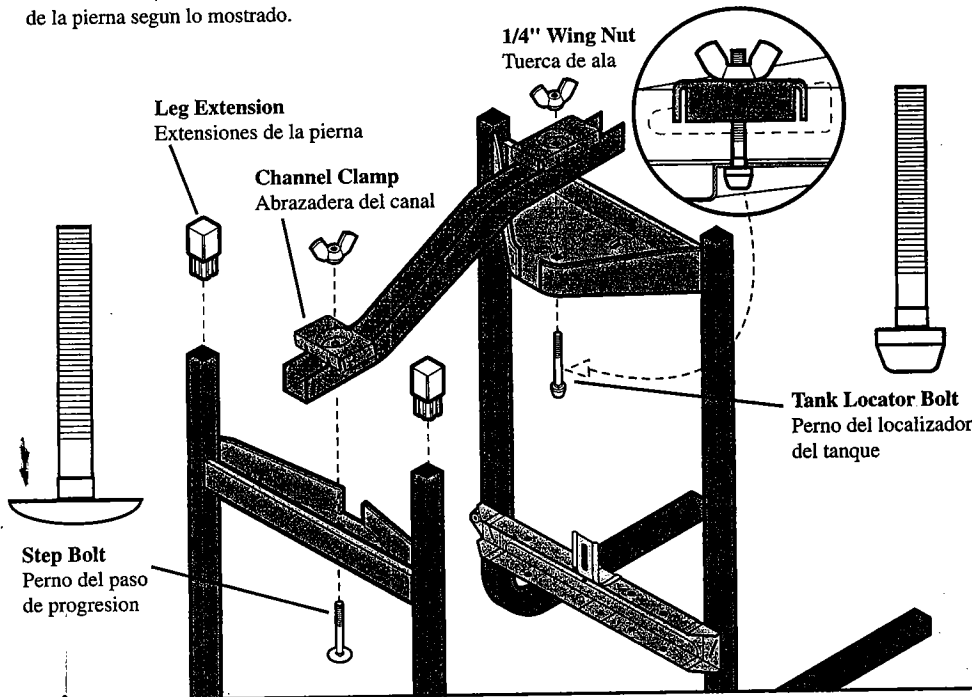




**START**  
COMIENZO

**CHASSIS ASSEMBLY**  
ASAMBLEA DE CHASIS

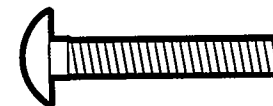
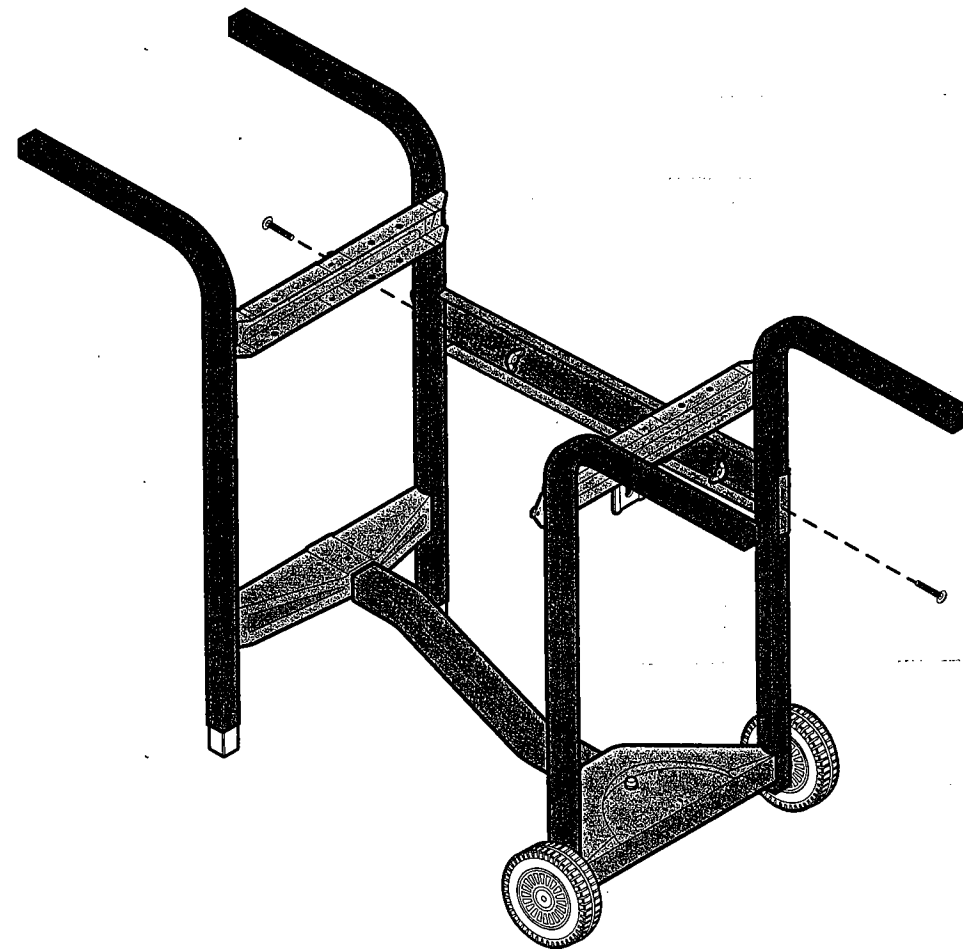
**Install Channel, Channel Clamps, and Leg Extensions as Shown.**  
Instale el canal, las abrazaderas del canal, y las extensiones de la pierna segun lo mostrado.



**Install Axle Through Wheels and Snap on Axle Clip.**  
Instale el arbol a traves de las ruedas y encajese a presion hacia los clips del arbol.

**BACK SUPPORT**  
AYUDA TRASERA

**Install Back Support**  
Instale Detrás La Ayuda



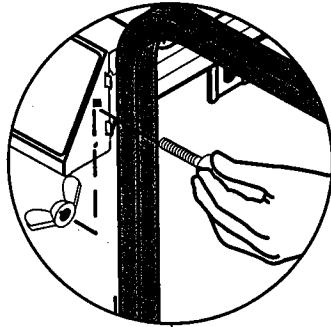
#10-24 X 1-3/4" Carriage Bolt  
#10-24 X 1-3/4" el cerrojo del coche



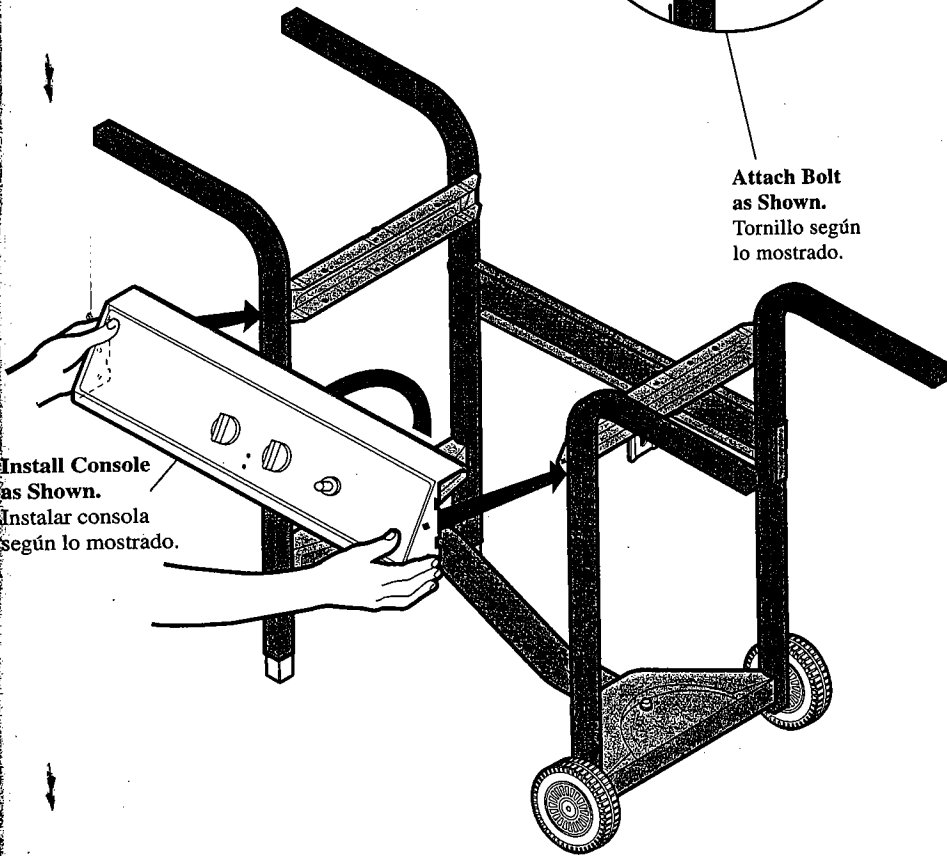
#10-24 Wing Nut  
#10-24 la mueza del ala

# CONSOLE ASSEMBLY ASAMBLEA DE CONSOLA

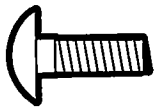
Installation of Console to Leg Assembly.  
Instalación de la consola al ensamblaje de la pierna.



Attach Bolt  
as Shown.  
Tornillo según  
lo mostrado.



Install Console  
as Shown.  
Instalar consola  
según lo mostrado.



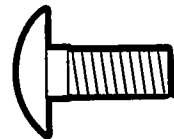
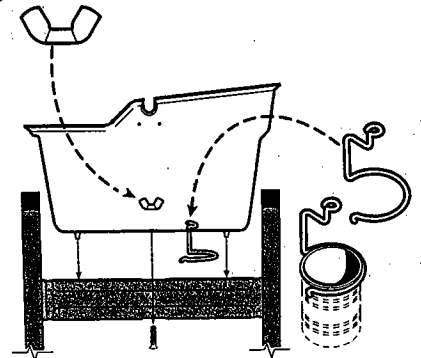
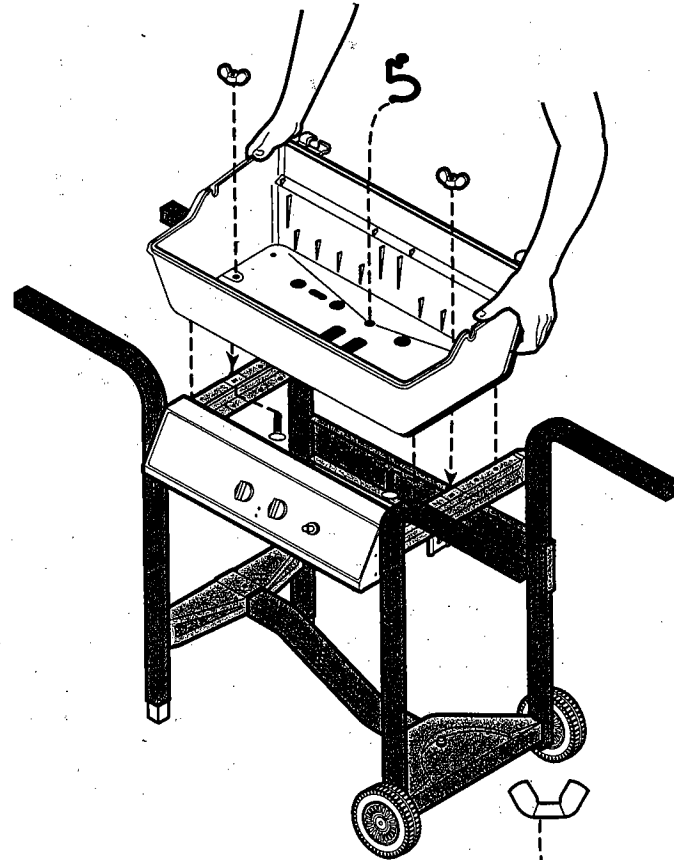
#10-24 X 3/4" Carriage Bolt  
#10-24 X 3/4" el cerrojo del coche



#10-24 Wing Nut  
#10-24 la muez del ala

# BASE ASSEMBLY ASAMBLEA DE BASE

Install Base Casting and Grease Cup Clip  
Instalar el bastidor bajo y engrase el clip de la taza



1/4-20 X 3/4" Carriage Bolt  
1/4-20 X 3/4" el cerrojo del coche

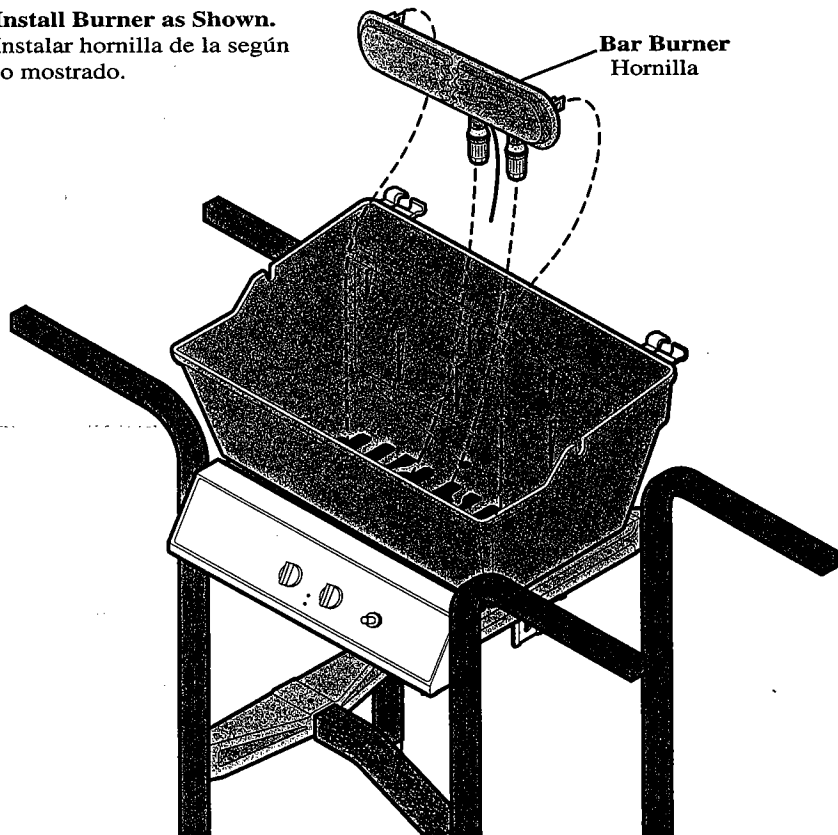


1/4-20 Large Wing Nut  
1/4-20 Grande la muez del ala

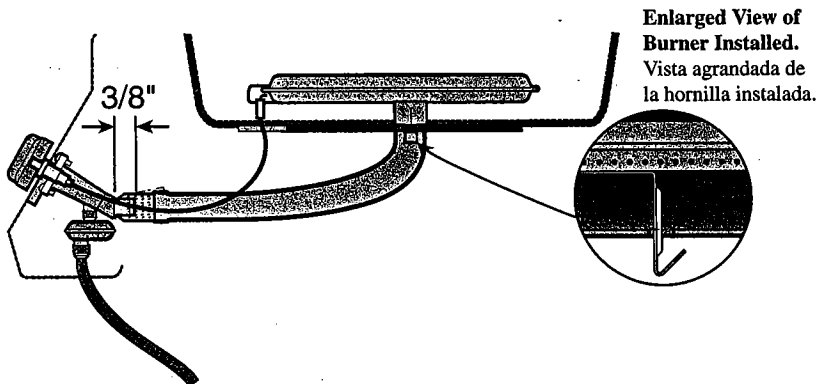
Soup Can not Supplied with Grill.  
La sopa no puede provisto de la parrilla.

## BURNER ASSEMBLY ASAMBLEA DE HORNILLA

**Install Burner as Shown.**  
Instalar hornilla de la según lo mostrado.



Bar Burner  
Hornilla

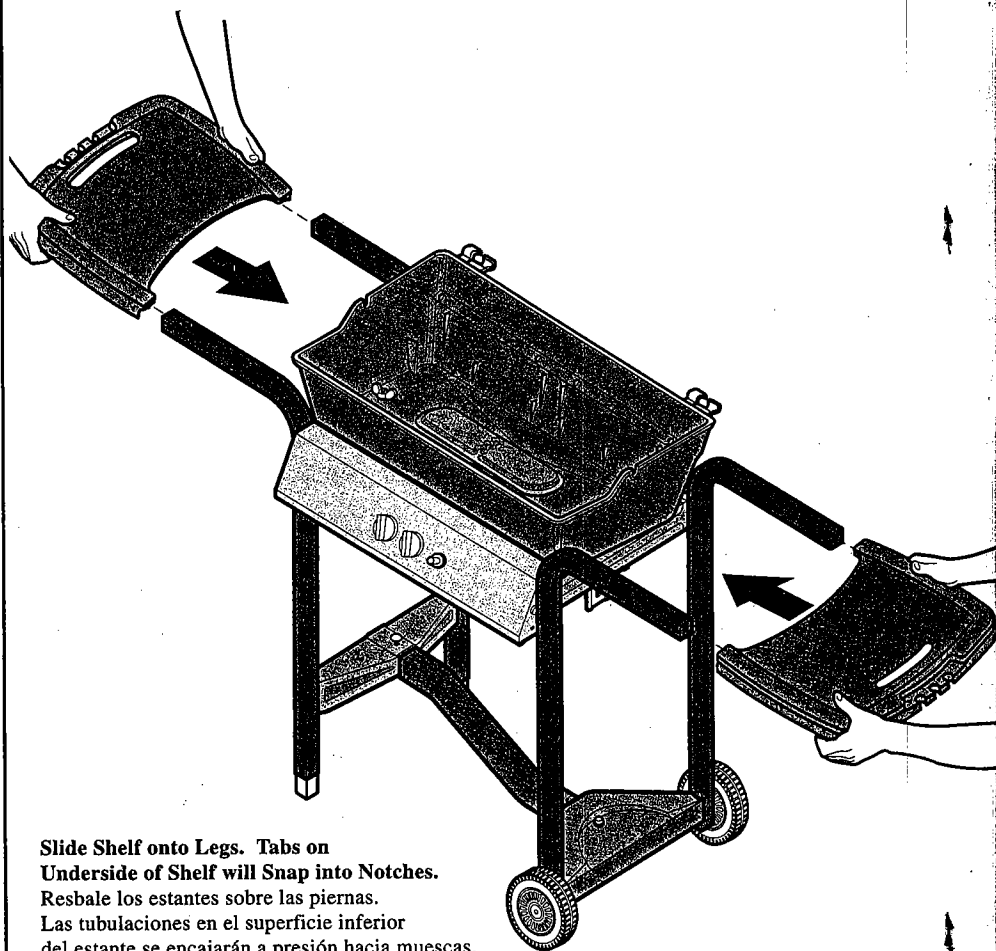


Enlarged View of  
Burner Installed.  
Vista agrandada de  
la hornilla instalada.

**Note: Be Sure Valves Fit into Burner Tubes During Installation.**  
Nota: Este seguro que las válvulas encaje bien durante la instalación de la consola.

## SHELF ASSEMBLY ASAMBLEA DE ESTANTE

**Install Side Shelf.**  
Instalar el desvío lateral del estante.

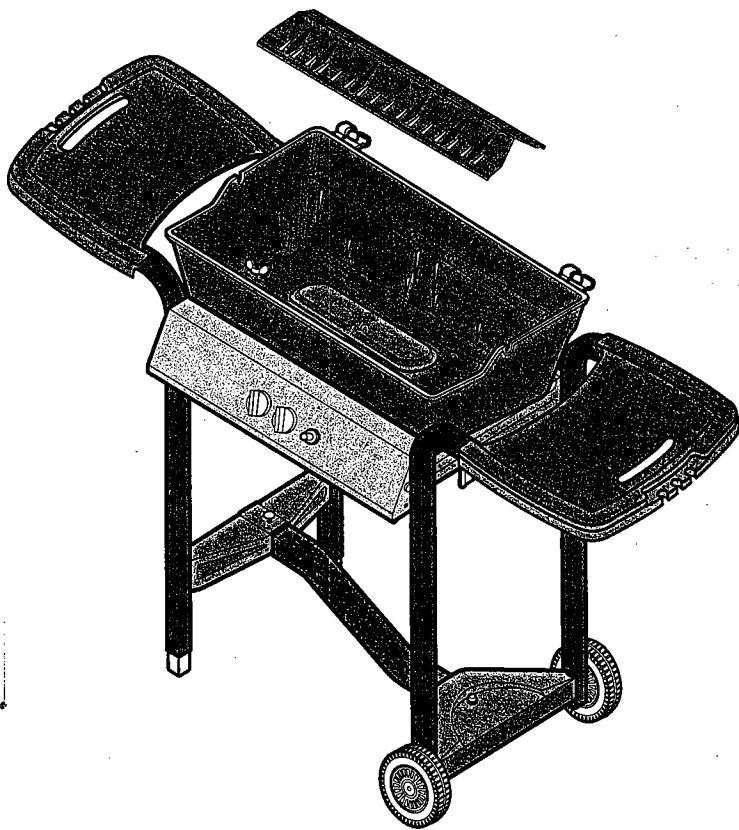


**Slide Shelf onto Legs. Tabs on Underside of Shelf will Snap into Notches.**  
Resbale los estantes sobre las piernas. Las tubulaciones en el superficie inferior del estante se encajarán a presión hacia muescas.

## HEAT TENT ASSEMBLY ASAMBLEA TIENDA DEL CALOR

**Install Heat Tent as Shown.**  
Instale la tienda del calor según  
lo demostrado.

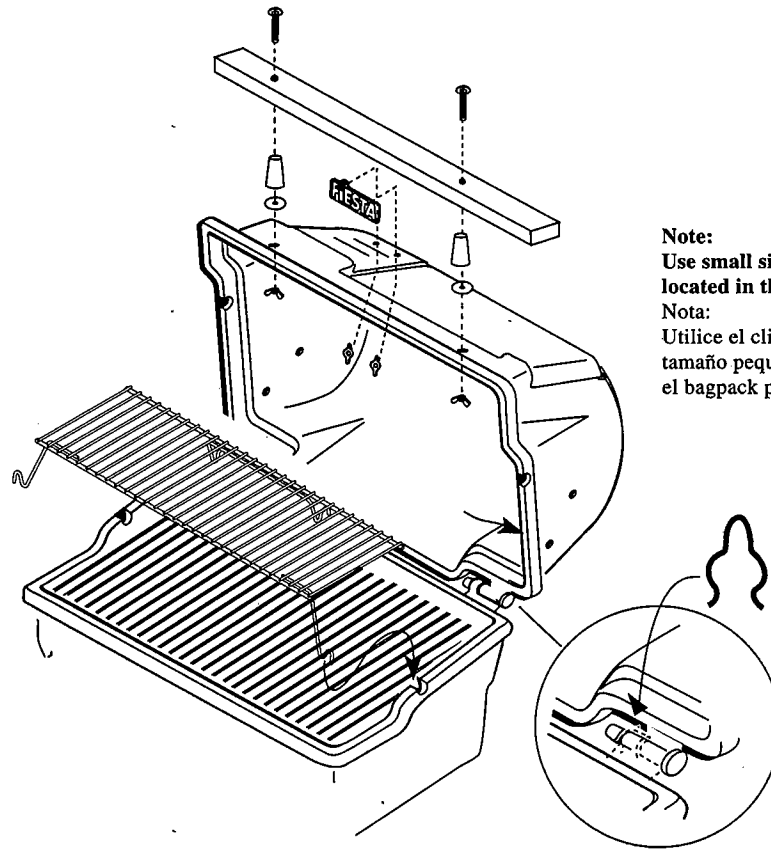
**Note: Some parts may have sharp  
edges or burrs. Handle with care.**  
Nota: Algunas piezas pueden tener  
bordes o rebabas agudos.  
Dirija con cuidado



## LID ASSEMBLY ASAMBLEA DE LA TAPA

**Install Lid, Handle, Cooking Grid, Warming Rack, Hinge Clip, and Logo.**  
Instale la tapa, manija, cocinando rejilla, estante que se calienta, el clip de la bisagra, y la  
insignia.

**Use Handle bag pack.**  
Utilice los paquetes  
del bolso manija y de la insignia .



**Note:**  
Use small size hinge clip  
located in the master backpack.  
Nota:  
Utilice el clip de la bisagra del  
tamaño pequeño establecido en  
el backpack principal.

# TANK INSTALLATION

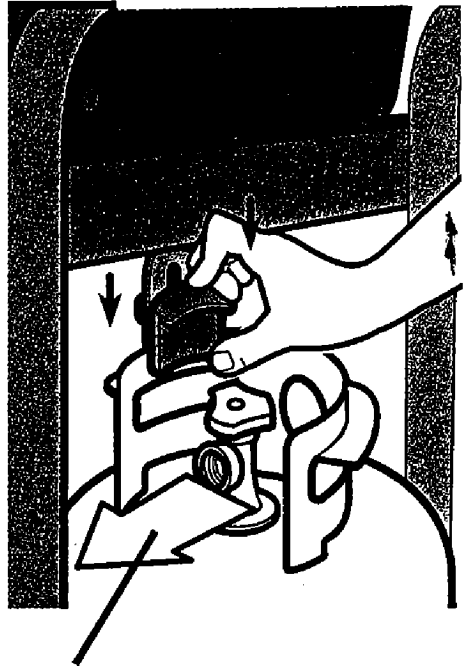
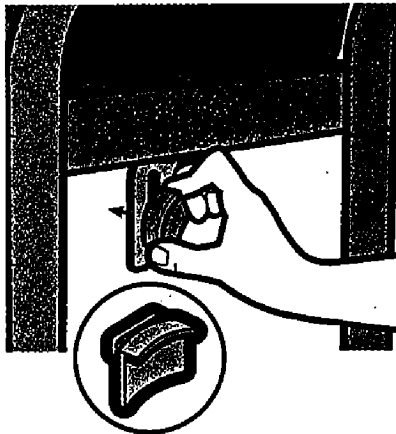
## INSTALACION DEL TANQUE

**Insert Tank Bracket into Slot, Rotate 90 Degrees.**

**Slide Down Over Tank Ring to Hold Tank in Place.**

**Inserte el soporte del tanque en ranura, rote 90 grados.**

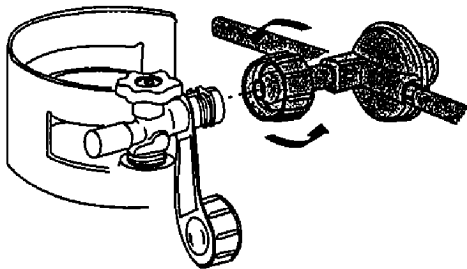
**Resbale abajo sobre el anillo del tanque hacia el tanque del asimiento en lugar.**



**IMPORTANT:** Ensure hose assembly does not contact the casting, or any other parts which will get hot.

**IMPORTANTE:** asegure el ensamblaje de manguera no entra en contacto con el bastidor, o ningunas otras piezas que consigan calientes.

**Regulator Connection Facing Front.**  
Frente De los Revestimientos De la  
Conexión Del Regulador



**WARNING:** Before proceeding with the following steps, ensure you have read L.P. Gas Cylinder Hose and Regulator sections of the USE AND CARE MANUAL. The L.P. cylinder, if supplied with your grill, has been shipped empty for safety reasons. The cylinder must be purged of air and filled prior to use. Follow all directions under L.P. Gas Cylinder Filling section of the USE AND CARE MANUAL.

**FINISH/FINAL**