

This Owner's Manual is provided and hosted by [Appliance Factory Parts](#).



Broil-Mate 1910-4 Owner's Manual

[Shop genuine replacement parts for Broil-Mate 1910-4](#)



[Find Your Broil-Mate Grill Parts - Select From 682 Models](#)

----- Manual continues below part list -----

Available Replacement Parts for Broil-Mate 1910-4

| | |
|----------------------------|---|
| 03200 | spark generator; Bmstr, DCS, Ducane |
| 14625 | warming rack universal, 15 x 6.5 |
| 10696-160 | ORIFICE HOOD R/B 0.160MM NG |
| 18627GC | BURNER, DUAL 50,000 BTU |
| 10892-8NG | WHEEL 8 INCH GREY WALL |
| 03230 | spark generator; Ducane |
| 18488 | FLAV-R-WAVE - 50,000 BTU STAINLESS |
| S15500 | IGNITOR ELECTRODE ASSY H B H BURNER |
| 18013 | LARGE PROBE HEAT INDICATOR |
| 10184-K581 | SHELF SUPPORT LFT BLK |
| 10184-K591 | SHELF SUPPORT RH BLK |
| 10184-R19 | TANK RETAINER-PEDESTAL-NEW |
| 10225-T10 | GRID PORCELAIN S/B |
| 10393-K40 | SIDE BURNER COVER 1.86 |
| 10892-15 | CASTER 2 1/2 INCH WHEEL KNURLED |
| S15171 | AXLE PLTD 3/8x18 9/16 PED + |
| S21124 | SCREW PHCP #8 X 12 + |
| PB20-60A | S/B LID HANDLE WAGON ENCLOSER+ W/SCREWS |
| 10390-E10 | BURNER SIDE 10BTU W/ELEC #8 + |
| 10342-T14 | WIRE ELECTRODE S/B FLAT/ROUND+ |
| 10393-R50 | SIDE BURNER BODY 2002 + |
| 10442-R54 | CONTROL ASSEMBLY 75M 4V LP 2842 |
| 10239-7 | HANDLE GASKET TRIANGULAR 1/8 |
| 50416 | SMALL DRIP PAN - 10 PACK |
| S14019 | NAMEPLATE BROILMATE LG FLSH + |
| S11426 | BOTTOM CASTING R/B + 2500/2700/400/700 |
| S11250 | CASTING TOP + |
| 10086-R731 | DECO PANEL SS 1900 4VSB |
| 02342 | control knob; universal |
| 10696-109 | ORIFICE HOOD R/B 0.109MM LP |

| | |
|---------------------------|--|
| 10184-R80 | RADIATION SHIELD RAW |
| 30260130 | SHELF SIDE REV A + |
| 11228 | CI COOKING GRIDS SET OF 2 |
| 10472-k40 | KNOB ROTARY IGNITOR #B |
| CG21SS | Cooking Grid Stainlss st Warm Morning G4 |
| 80012 | regulator and hose READ ADD. INFO |
| S12206 | WARMING RACK 2500 1998 + |
| 10958-E71 | PEDESTAL RESIN BASE LRG + |
| 10111-K45 | HOSE 3/8 INCH ASSEMBLY NG 10 FOOT + |
| Y-11990 | NUT HEX BRASS 3/8 27 RB LINE |

broil-mate™

REDDI- BILT BARBECUES

ASSEMBLY MANUAL & PARTS LIST

MANUEL DE MONTAGE & LISTE DE PIÈCES

broil-mate™
1910-4
1910-7



broil-mate™
1919-4
1919-7



broil-mate™
1917-4
1917-7



broil-mate™
1929-4
1929-7




broil-mate™
1930-4
1930-7



broil-mate™
1940-4
1940-7




broil-mate™
1949-4
1949-7

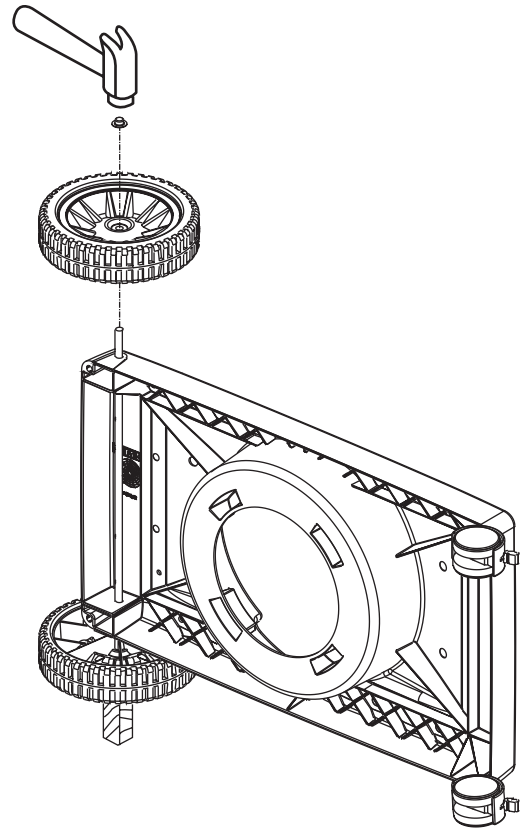
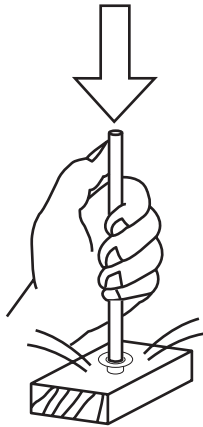
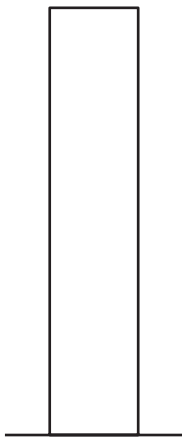
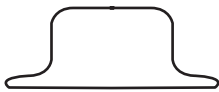
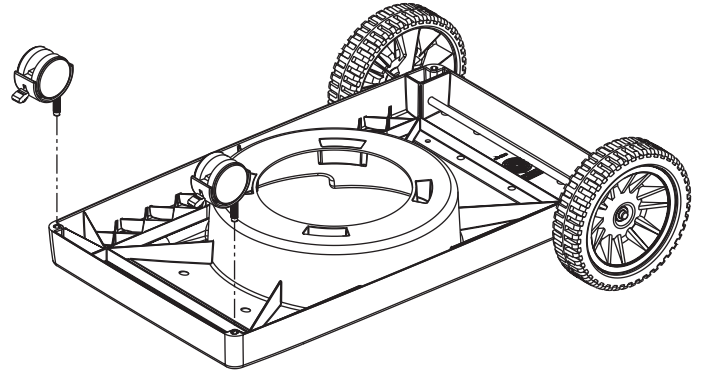
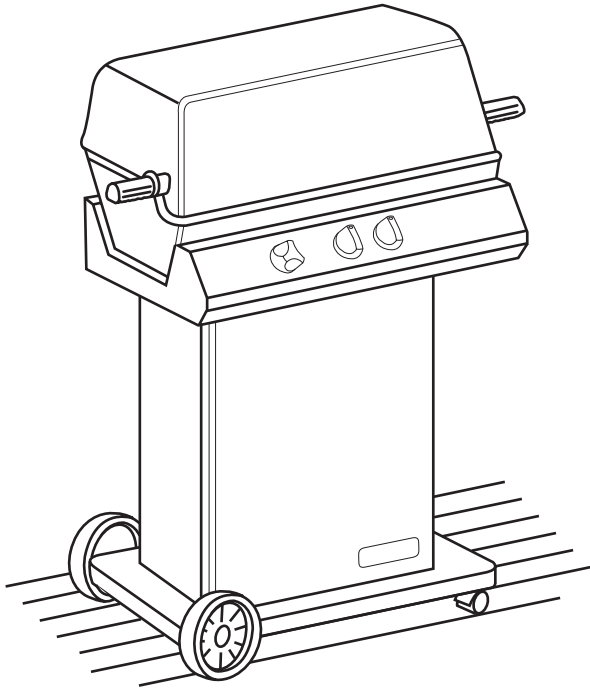
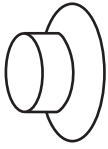



RETAIN FOR FUTURE REFERENCE

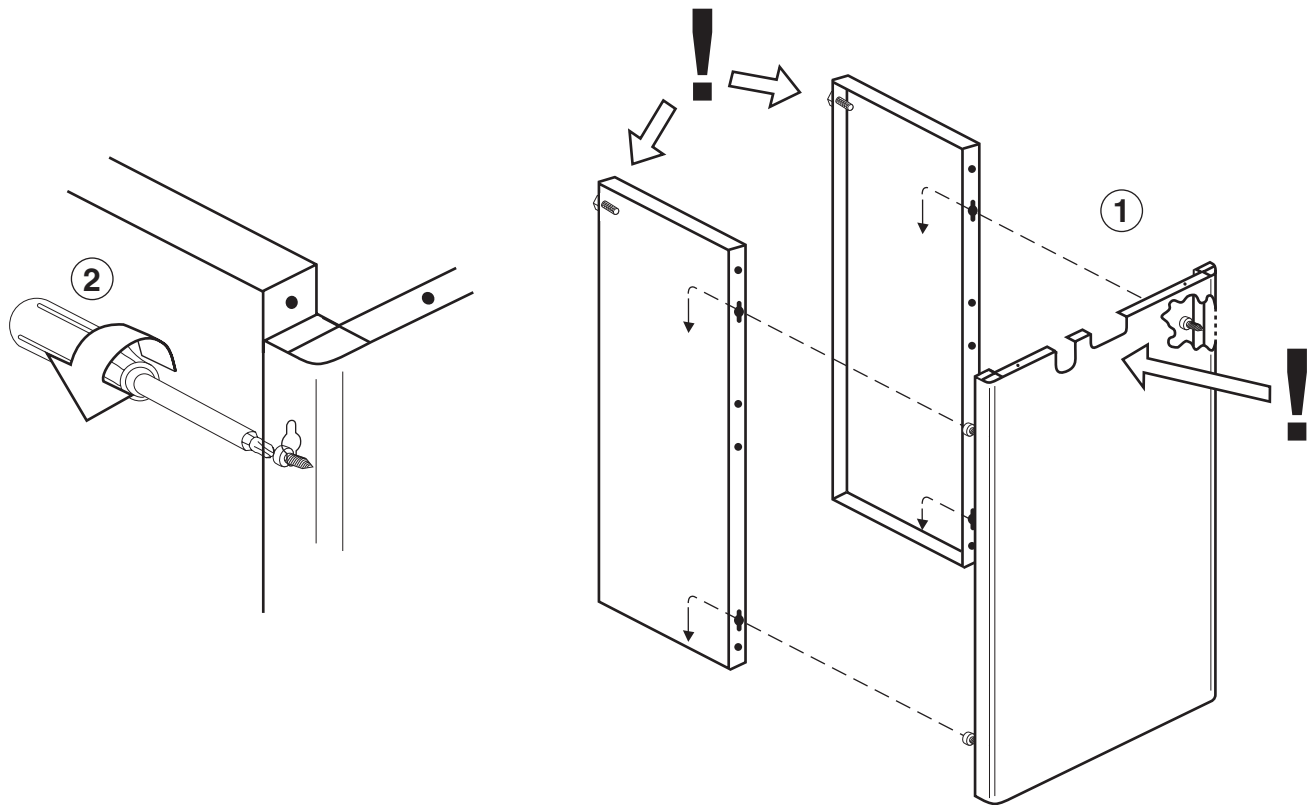
VEUILLEZ CONSERVER POUR REFERENCE ULTERIEURE

1

(2)

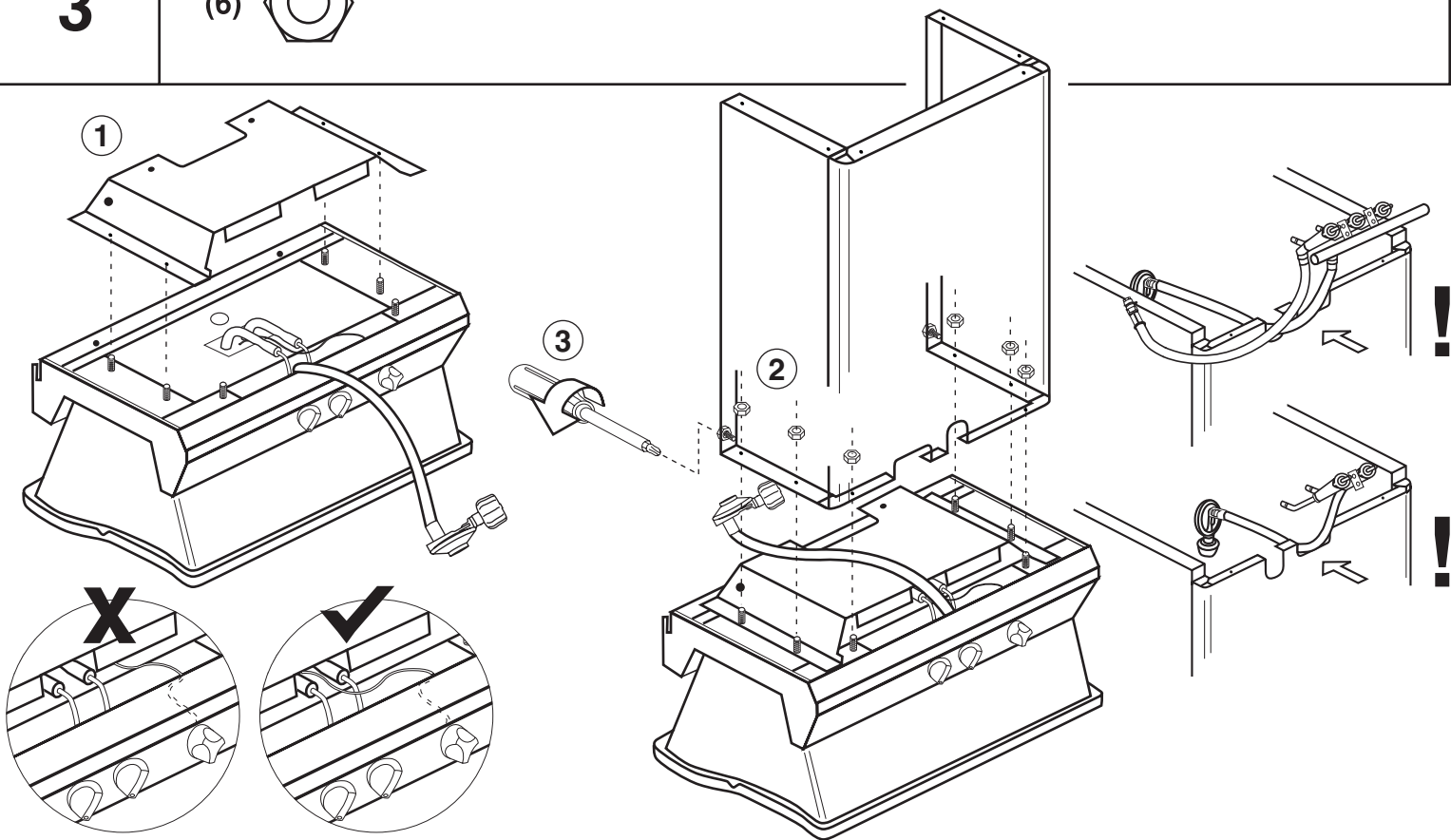


2



3

(6)

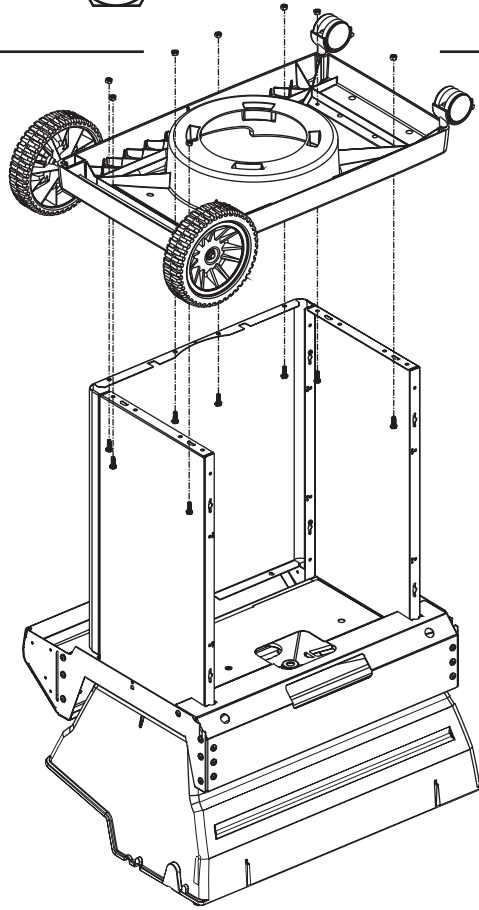


4

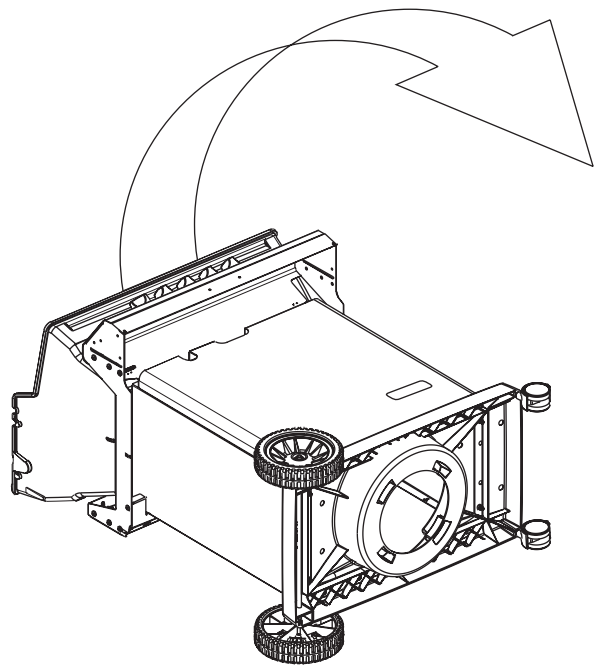
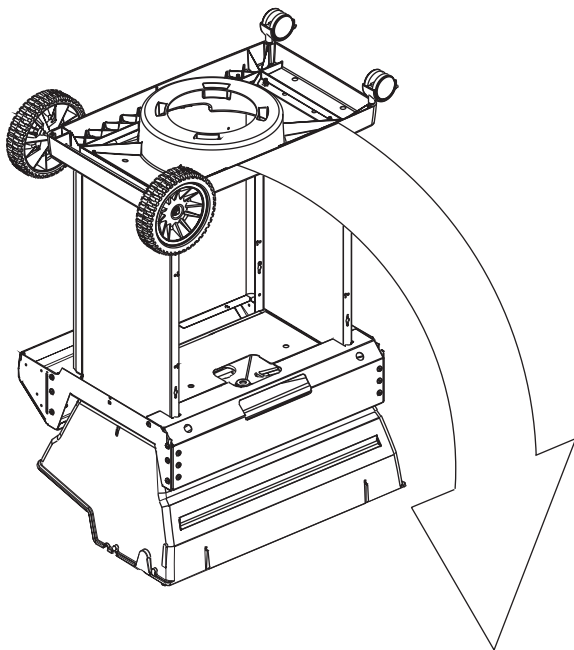
(8)



(8)

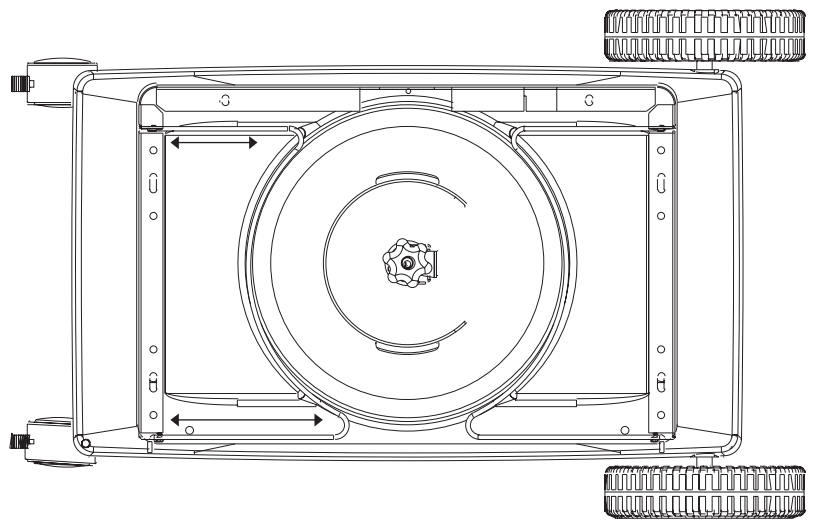
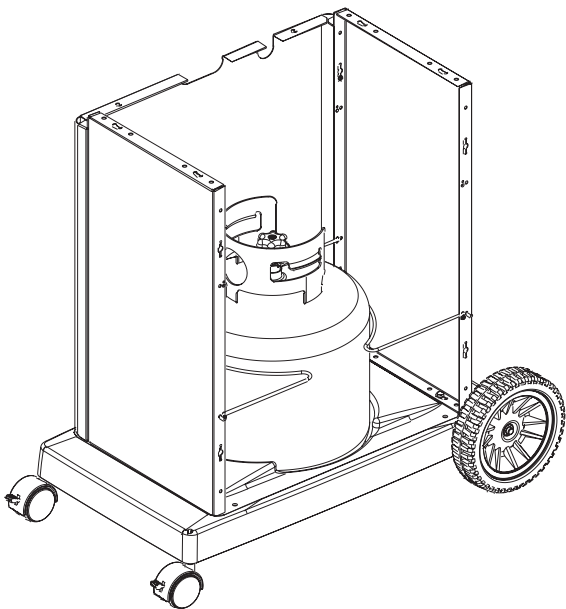
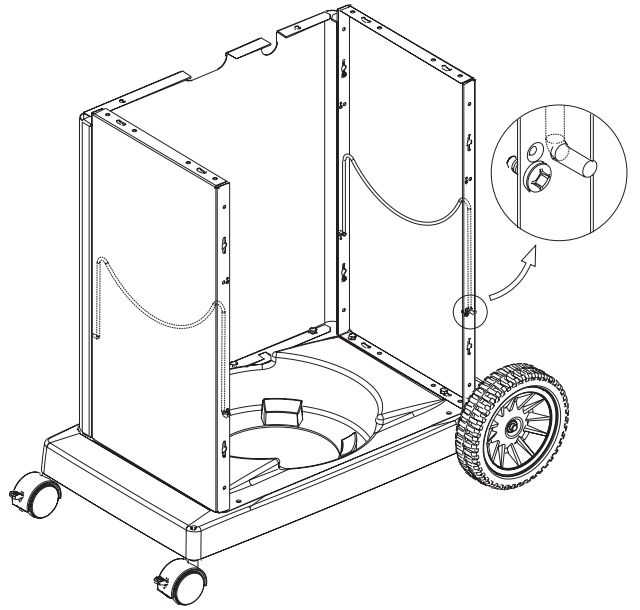
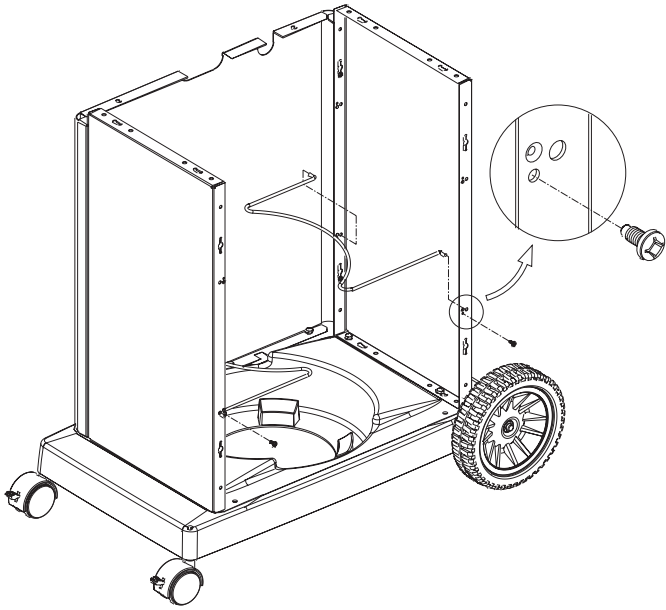


5

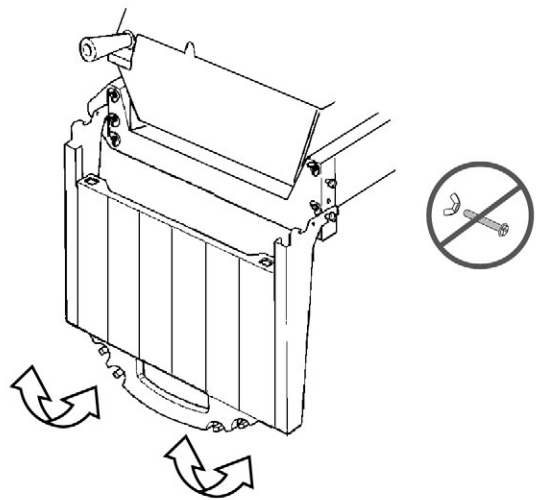
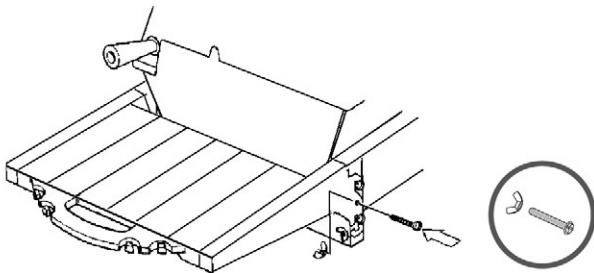
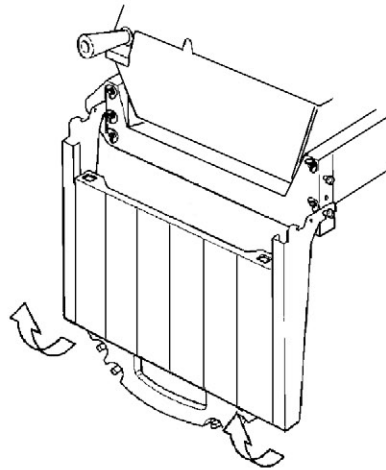
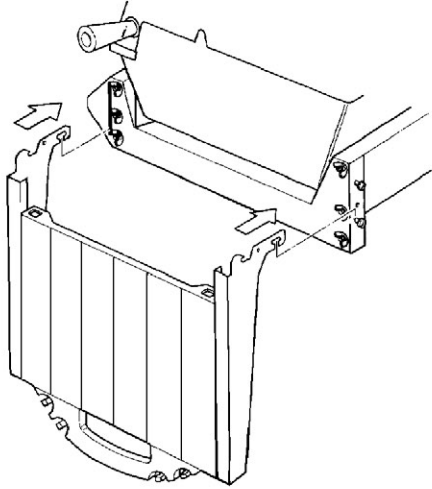
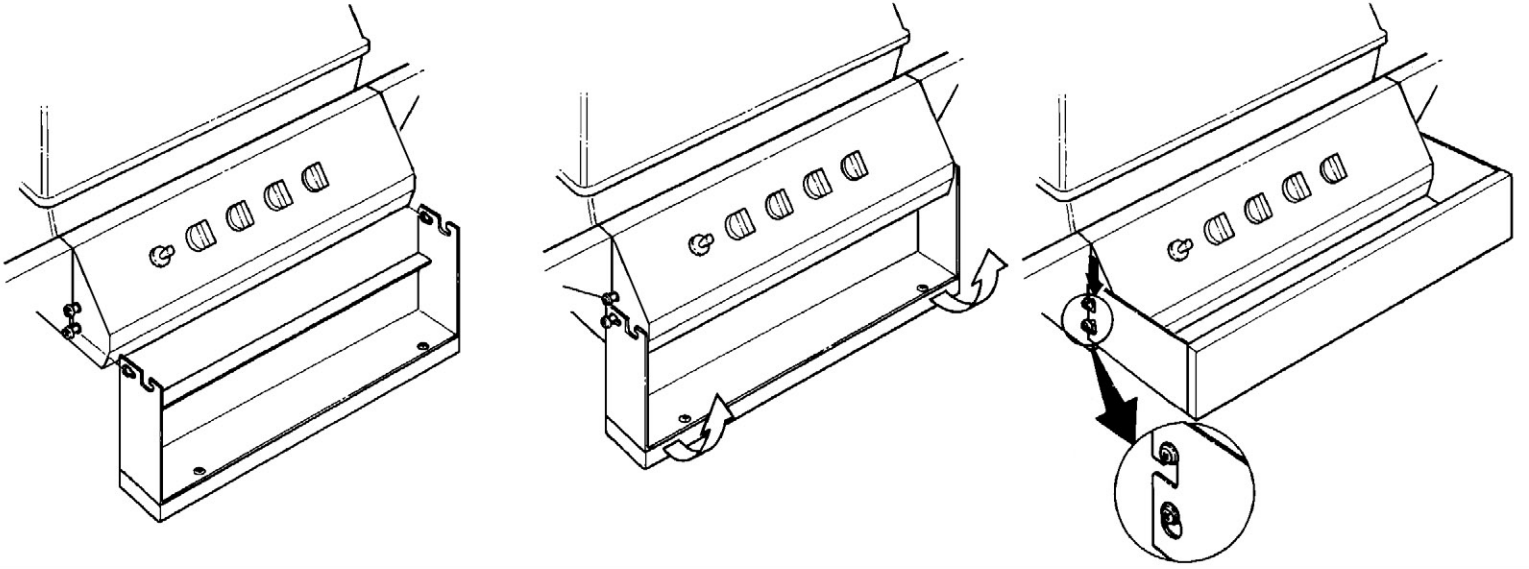
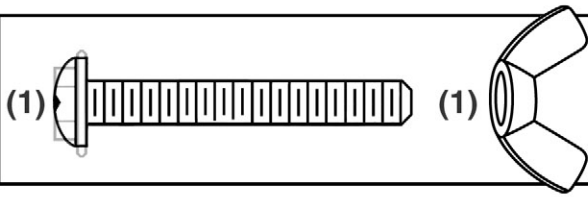


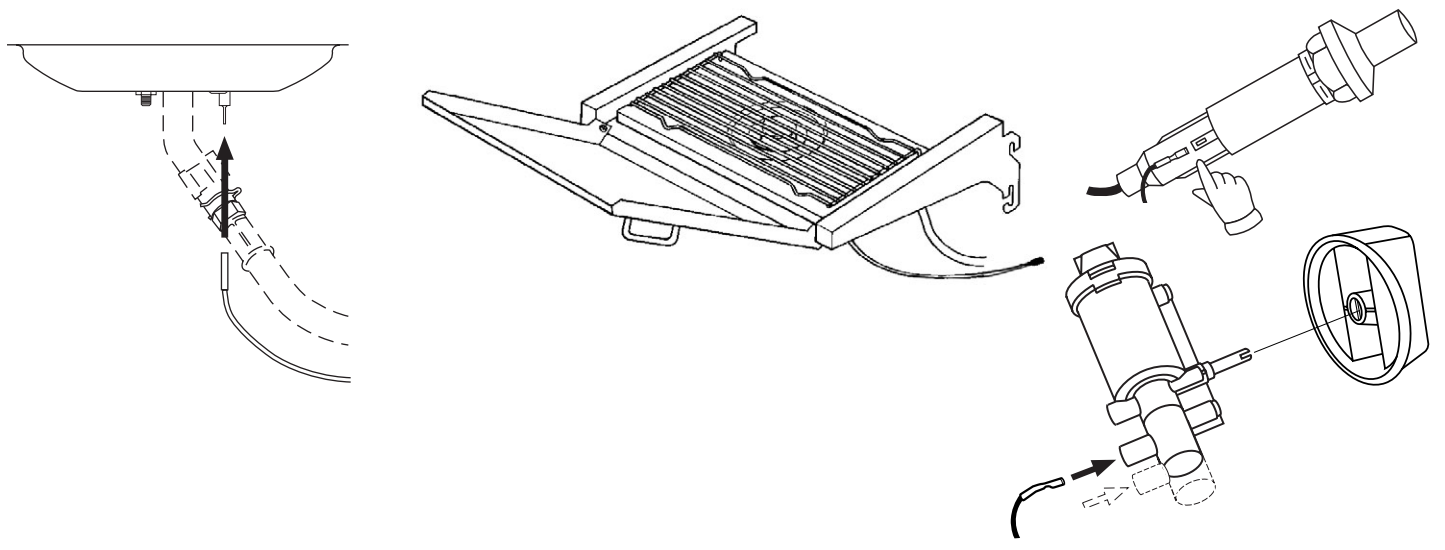
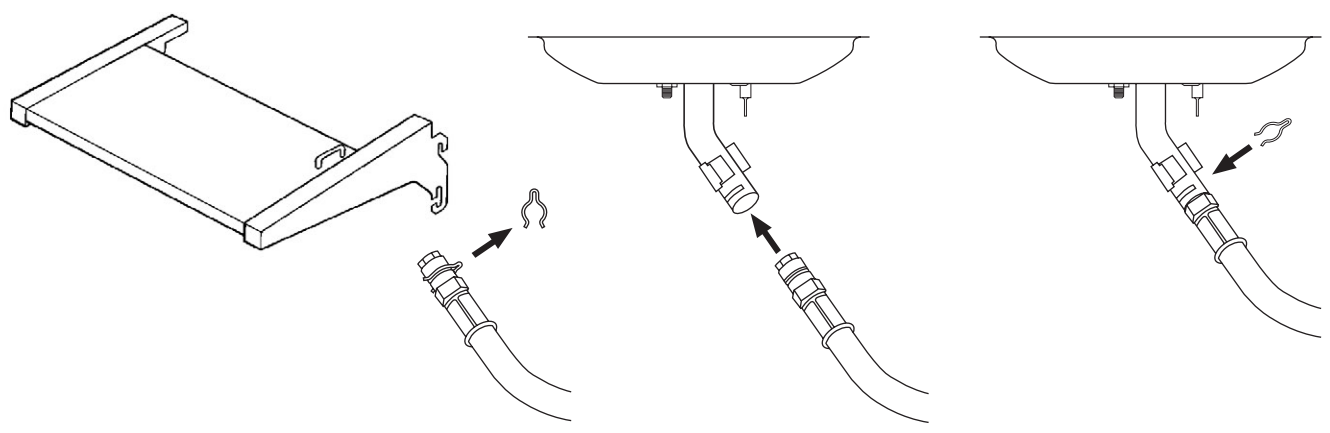
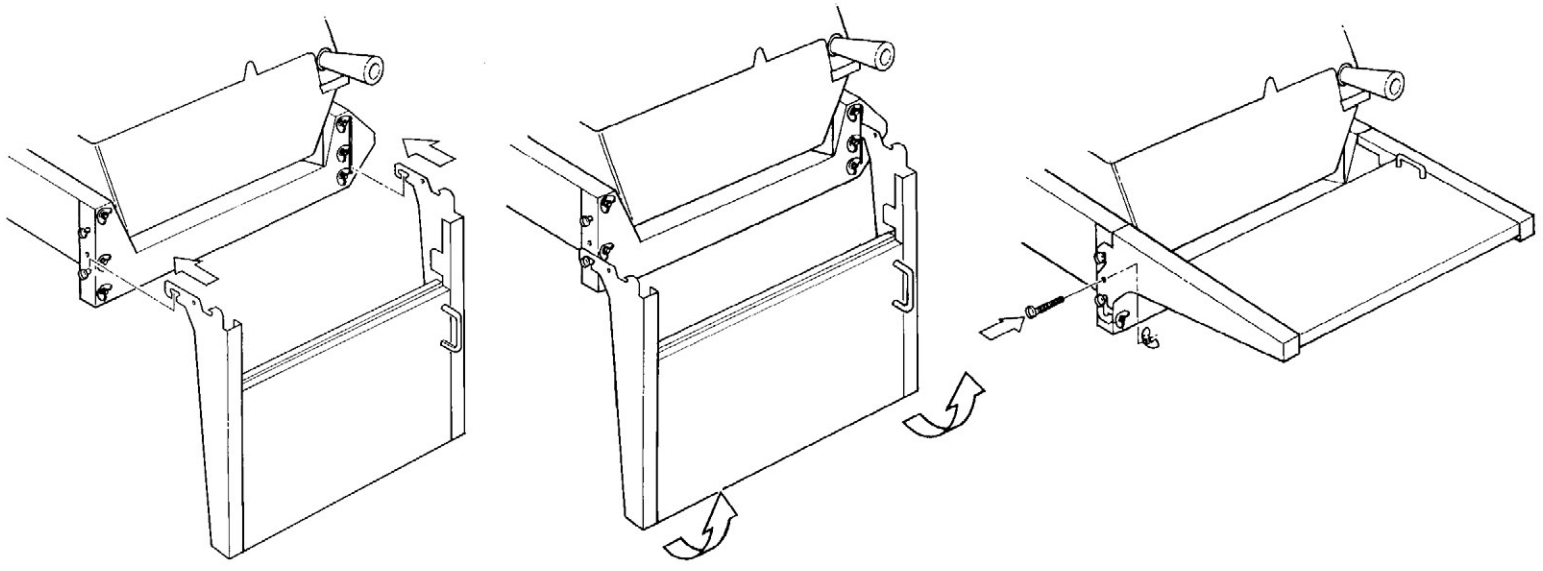
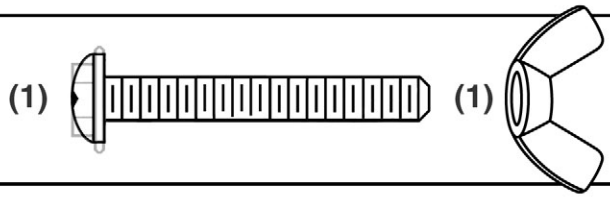
6

(2) 

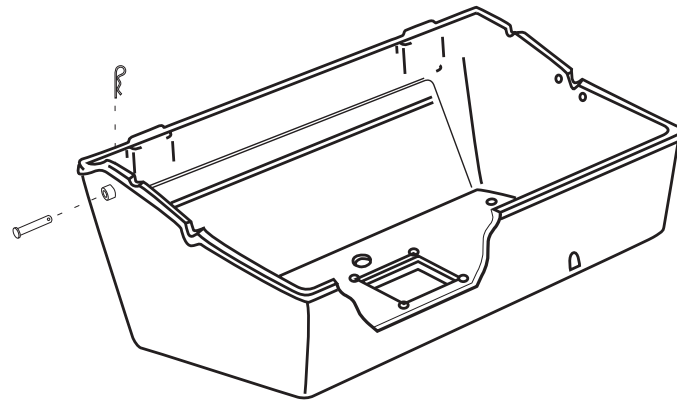
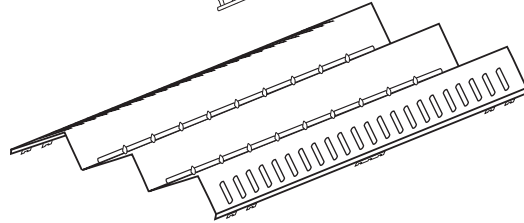
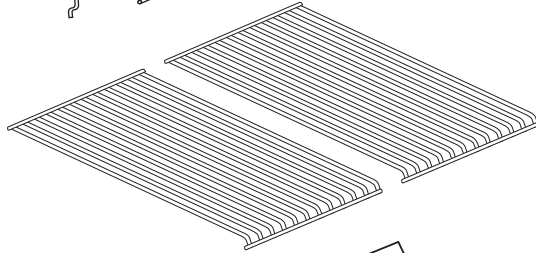
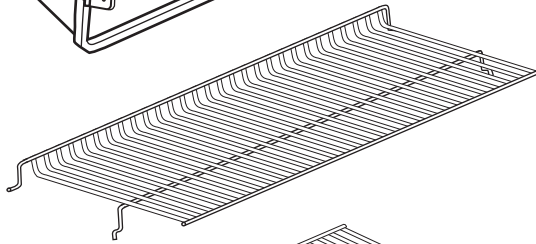
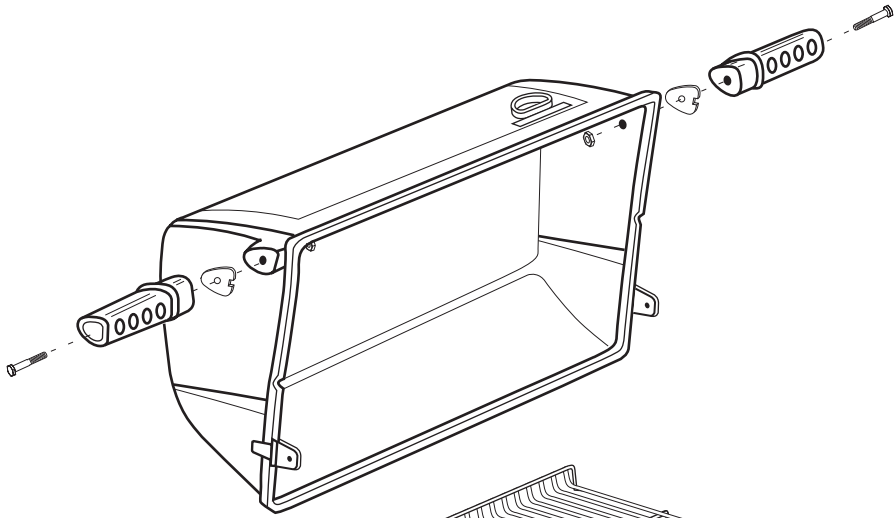
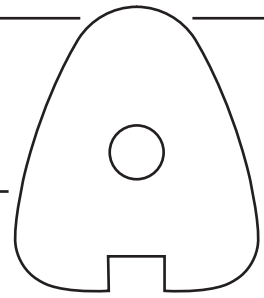
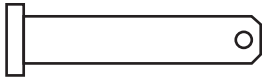


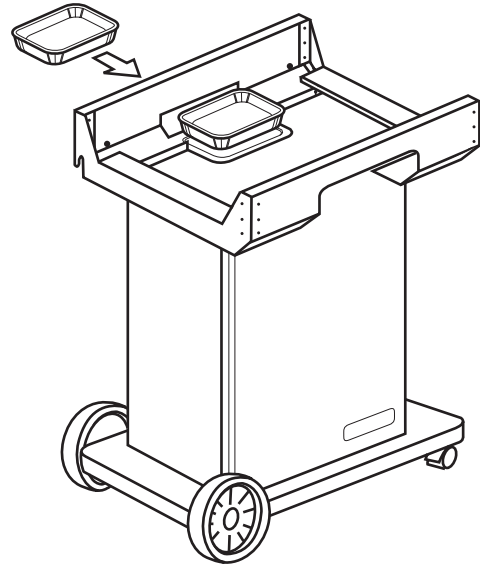
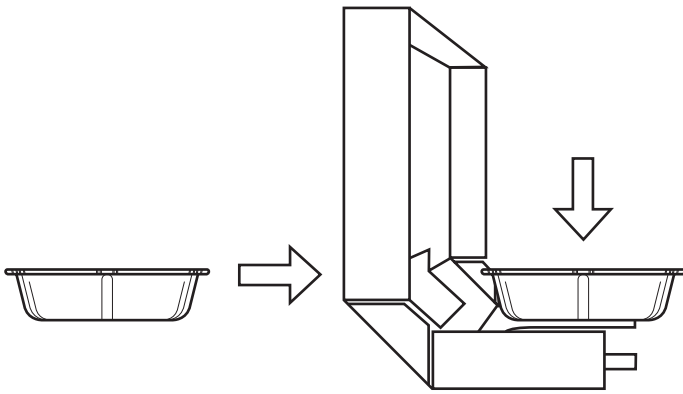
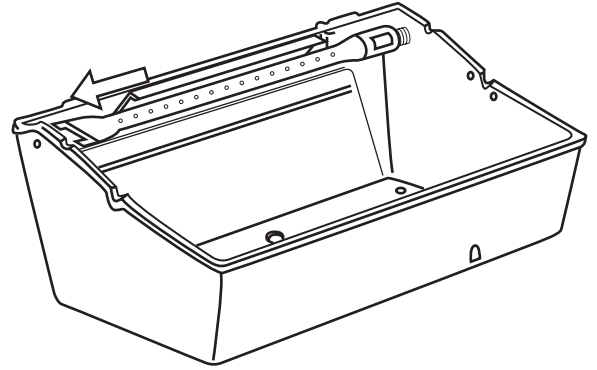
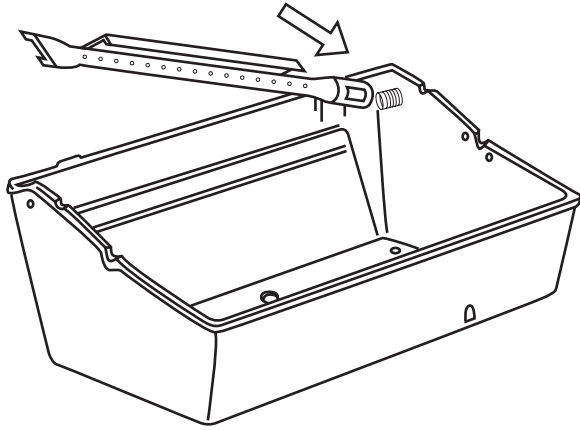
7





8





PARTS LIST / LISTE DES PIECES

| KEY # | ITEM # | DESCRIPTION | DESCRIPTION | 1910 | | 1917 | | 1919 | | 1929 | | 1930 | | 1940 | | 1949 | | |
|-------|------------|----------------------------|-------------------------------|------|----|------|----|------|----|------|----|------|----|------|----|------|----|---|
| | | | | -4 | -7 | -4 | -7 | -4 | -7 | -4 | -7 | -4 | -7 | -4 | -7 | -4 | -7 | |
| 1 | S11425 | CASTING BOTTOM | FOND DU FOYER | 1 | 1 | 1 | 1 | 1 | 1 | 1 | 1 | 1 | 1 | 1 | 1 | 1 | 1 | |
| 2 | S11250 | CASTING TOP | COUVERCLE DU GRIL | 1 | 1 | 1 | 1 | 1 | 1 | 1 | 1 | 1 | 1 | 1 | 1 | 1 | 1 | |
| 3 | S14019 | NAMEPLATE | PLAQUE D'IDENTIFICATION | 1 | 1 | 1 | 1 | 1 | 1 | 1 | 1 | 1 | 1 | 1 | 1 | 1 | 1 | |
| 3A. | S14016 | NAMEPLATE | PLAQUE D'IDENTIFICATION | 1 | 1 | 1 | 1 | 1 | 1 | 1 | 1 | 1 | 1 | 1 | 1 | 1 | 1 | |
| 4 | 10958-K69 | LID INSERT | PANNEAU DE COUVERCLE | 1 | 1 | 1 | 1 | 1 | 1 | 1 | 1 | 1 | 1 | 1 | 1 | 1 | 1 | |
| 5 | 10571-6 | HEAT INDICATOR | INDICATEUR DE CHALEUR | 1 | 1 | 1 | 1 | 1 | 1 | 1 | 1 | 1 | 1 | 1 | 1 | 1 | 1 | |
| 6 | S21235 | HINGE PIN | CHEVILLE DE CHARNIERE | 2 | 2 | 2 | 2 | 2 | 2 | 2 | 2 | 2 | 2 | 2 | 2 | 2 | 2 | |
| 7 | S21233 | HINGE CLIP | ATTACHE DE CHEVILLE | 2 | 2 | 2 | 2 | 2 | 2 | 2 | 2 | 2 | 2 | 2 | 2 | 2 | 2 | |
| 8 | 10222-T424 | FLAV-R-WAVE – PORCELAIN | FLAV-R-WAVE - PORCELAIN | 1 | 1 | • | • | 1 | 1 | 1 | 1 | 1 | 1 | 1 | 1 | • | • | |
| | 10222-T425 | FLAV-R-WAVE – S.S. | FLAV-R-WAVE – AI | • | • | 1 | 1 | • | • | • | • | • | • | • | • | • | 1 | 1 |
| 9 | S12029 | GRID | GRILLE | 2 | 2 | • | • | 2 | 2 | 2 | 2 | 2 | 2 | 2 | 2 | • | • | |
| | S12024 | GRID – S.S. | GRILLE – AI | • | • | 2 | 2 | • | • | • | • | • | • | • | • | 2 | 2 | |
| 11 | S12206 | GRID RETRACTABLE | GRILLE RETRACTABLE | • | • | 1 | 1 | • | • | • | • | • | • | • | • | • | • | |
| | S12207 | GRID RETRACTABLE | GRILLE RETRACTABLE | 1 | 1 | • | • | 1 | 1 | 1 | 1 | • | • | 1 | 1 | 1 | 1 | |
| 15 | S10017 | BURNER ASSY | ENSEMBLE DE BRULEUR | 1 | 1 | 1 | 1 | 1 | 1 | 1 | 1 | 1 | 1 | 1 | 1 | 1 | 1 | |
| 17 | 10342-242 | IGNITOR | ALLUMEUR | 1 | 1 | 1 | 1 | 1 | 1 | • | 1 | 1 | • | • | • | • | • | |
| | 10342-243 | IGNITOR | ALLUMEUR | • | • | • | • | • | 1 | 1 | • | • | 1 | 1 | 1 | 1 | 1 | |
| | 10472-K40 | KNOB – ROTARY | BOUTON – ROTATIF | 1 | 1 | 1 | 1 | 1 | 1 | 1 | 1 | 1 | 1 | 1 | 1 | 1 | 1 | |
| 18 | S15500 | ELECTRODE | ELECTRODE | 1 | 1 | 1 | 1 | 1 | 1 | 1 | 1 | 1 | 1 | 1 | 1 | 1 | 1 | |
| 21 | 10440-K50 | CONTROL ASSY LP | SOUPAPE, (GAZ PROPANE) | 1 | • | 1 | • | 1 | • | 1 | • | • | • | • | • | • | • | |
| | 10440-K51 | CONTROL ASSY NG | SOUPAPE, (GAZ NATUREL) | • | 1 | • | 1 | • | 1 | • | 1 | • | • | • | • | • | • | |
| | 10442-K52 | CONTROL ASSY LP | SOUPAPE, (GAZ PROPANE) | • | • | • | • | • | 1 | • | • | • | • | • | • | • | • | |
| | 10440-R52 | CONTROL ASSY LP | SOUPAPE, (GAZ PROPANE) | • | • | • | • | • | • | • | • | 1 | • | • | • | • | • | |
| | 10440-R53 | CONTROL ASSY NG | SOUPAPE, (GAZ NATUREL) | • | • | • | • | • | • | • | • | 1 | • | • | • | • | • | |
| | 10442-R54 | CONTROL ASSY LP | SOUPAPE, (GAZ PROPANE) | • | • | • | • | • | • | • | • | • | • | 1 | • | 1 | • | |
| | 10442-R55 | CONTROL ASSY NG | SOUPAPE, (GAZ NATUREL) | • | • | • | • | • | • | • | • | • | • | • | 1 | • | 1 | |
| 21A. | S13467-091 | HOSE – SIDE BURNER LP | TUYAU DU BRULEUR LATERAL PL | • | • | • | • | • | 1 | • | • | • | • | 1 | 1 | 1 | 1 | |
| | S13467-132 | HOSE – SIDE BURNER NG | TUYAU DE BRULEUR LATERAL GN | • | • | • | • | • | • | 1 | • | • | • | 1 | 1 | 1 | 1 | |
| | Y-11230 | COTTER PIN | ATTACHE DE CHEVILLE | • | • | • | • | • | 1 | 1 | • | • | 1 | 1 | 1 | 1 | 1 | |
| 21B. | 10110-93 | HOSE – REARBURNER | TUYAU DE BRULEUR ARRIERE | • | • | • | • | • | • | • | 1 | 1 | 1 | 1 | 1 | 1 | 1 | |
| 22 | 10114-20 | HOSE & REGULATOR LP – QCC1 | TUYAU ET REGULATEUR PL – QCC1 | 1 | • | 1 | • | 1 | • | 1 | • | 1 | • | 1 | • | 1 | • | |
| | 10111-K47 | HOSE NATURAL GAS | TUYAU (GAZ NAUTREL) | • | 1 | • | 1 | • | 1 | • | 1 | • | 1 | • | 1 | • | 1 | |
| 23 | 10472-K37 | CONTROL KNOB | BOUTON DE CONTROLE | 2 | 2 | 2 | 2 | 2 | 2 | 3 | 3 | 3 | 3 | 4 | 4 | 4 | 4 | |
| 30 | 10086-R70 | DECO PLATE | PLAQUE DECORATIVE | • | • | • | • | • | • | • | 1 | 1 | • | • | • | • | • | |
| | 10086-R701 | DECO PLATE | PLAQUE DECORATIVE | 1 | 1 | 1 | 1 | 1 | 1 | • | • | • | • | • | • | • | • | |
| | 10086-R711 | DECO PLATE | PLAQUE DECORATIVE | • | • | • | • | • | 1 | 1 | • | • | • | • | • | • | • | |
| | 10086-R731 | DECO PLATE | PLAQUE DECORATIVE | • | • | • | • | • | • | • | • | • | • | 1 | 1 | 1 | 1 | |
| 31 | 10194-R561 | CONTROL COVER | PANNEAU DE CONTROLE | 1 | 1 | 1 | 1 | 1 | 1 | 1 | 1 | 1 | 1 | 1 | 1 | 1 | 1 | |
| 33 | 10184-R801 | RADIATION SHIELD | ECRAN DE CHALEUR | 1 | 1 | 1 | 1 | 1 | 1 | 1 | 1 | 1 | 1 | 1 | 1 | 1 | 1 | |
| 35 | 10184-R561 | SUPPORT – CASTING – LEFT | SUPPORT GAUCHE DU FOYER | 1 | 1 | 1 | 1 | 1 | 1 | 1 | 1 | 1 | 1 | 1 | 1 | 1 | 1 | |
| 36 | 10184-R571 | SUPPORT – CASTING – RIGHT | SUPPORT DROIT DU FOYER | 1 | 1 | 1 | 1 | 1 | 1 | 1 | 1 | 1 | 1 | 1 | 1 | 1 | 1 | |
| 37 | 10184-K581 | SUPPORT – SIDE SHELF – LH | SUPPORT TABLETTE DE GAUCHE | 2 | 2 | 2 | 2 | 2 | 2 | 2 | 2 | 2 | 2 | 2 | 2 | 2 | 2 | |
| 38 | 10184-K591 | SUPPORT – SIDE SHELF – RH | SUPPORT TABLETTE DE DROITE | 2 | 2 | 2 | 2 | 2 | 2 | 2 | 2 | 2 | 2 | 2 | 2 | 2 | 2 | |
| 39 | 10958-R831 | BRACE – UPPER REAR | SUPPORT ARRIERE | 1 | 1 | 1 | 1 | 1 | 1 | 1 | 1 | 1 | 1 | 1 | 1 | 1 | 1 | |
| 40 | 10958-R81 | SHELF – LOWER | TABLETTE INFERIEURE | 1 | 1 | 1 | 1 | 1 | 1 | 1 | 1 | 1 | 1 | 1 | 1 | 1 | 1 | |
| 41 | 10958-K851 | POST – FRONT BRACE | POTEAU-SUPPORT AVANT | 1 | 1 | 1 | 1 | 1 | 1 | 1 | 1 | 1 | 1 | 1 | 1 | 1 | 1 | |
| 42 | 10958-K881 | POST – FRONT PANEL | POTEAU-SUPPORT AVANT | 1 | 1 | • | • | • | • | • | • | 1 | 1 | 1 | 1 | • | • | |
| | 10958-K89 | POST – FRONT PANEL –S.S. | POTEAU-SUPPORT AVANT | • | • | 1 | 1 | 1 | 1 | 1 | 1 | • | • | • | • | 1 | 1 | |
| 43 | 10958-R861 | POST – SIDE PANEL | POTEAU-PANNEAU LATERALE | 2 | 2 | 2 | 2 | 2 | 2 | 2 | 2 | 2 | 2 | 2 | 2 | 2 | 2 | |
| 47 | 10184-R19 | TANK RETAINER | SERVITEUR DU RESERVOIR PL | 2 | • | 2 | • | 2 | • | 2 | • | 2 | • | 2 | • | 2 | • | |
| 49 | 10711-K541 | CONDI-BIN | CONDI-BIN | 1 | 1 | 1 | 1 | 1 | 1 | 1 | 1 | 1 | 1 | 1 | 1 | 1 | 1 | |
| 50 | 10711-K551 | SHELF – SIDE | PLANCHETTE LATERALE | 2 | 2 | • | • | 2 | 2 | • | • | 1 | 1 | 1 | 1 | • | • | |
| | 10711-K70 | SHELF – SIDE S.S. | PLANCHETTE LATERALE | • | • | 2 | 2 | • | • | 1 | 1 | • | • | • | • | 1 | 1 | |
| 53 | S16144 | SHELF BOARD – FRONT | PLANCHETTE AVANT | 1 | 1 | 1 | 1 | 1 | 1 | 1 | 1 | 1 | 1 | 1 | 1 | 1 | 1 | |
| 56 | 10892-8 | WHEEL | ROUE | 2 | 2 | 2 | 2 | 2 | 2 | 2 | 2 | 2 | 2 | 2 | 2 | 2 | 2 | |
| 65 | S13009 | BURNER ROTISSERIE | BRULEUR A ROTISS | • | • | • | • | • | • | • | • | 1 | 1 | 1 | 1 | 1 | 1 | |
| 68 | S21362 | SPRING | RESSORT | • | • | • | • | • | • | • | • | 1 | 1 | 1 | 1 | 1 | 1 | |
| 70 | Y-11990 | HEX NUT | ECROU | • | • | • | • | • | • | • | • | 1 | 1 | 1 | 1 | 1 | 1 | |

