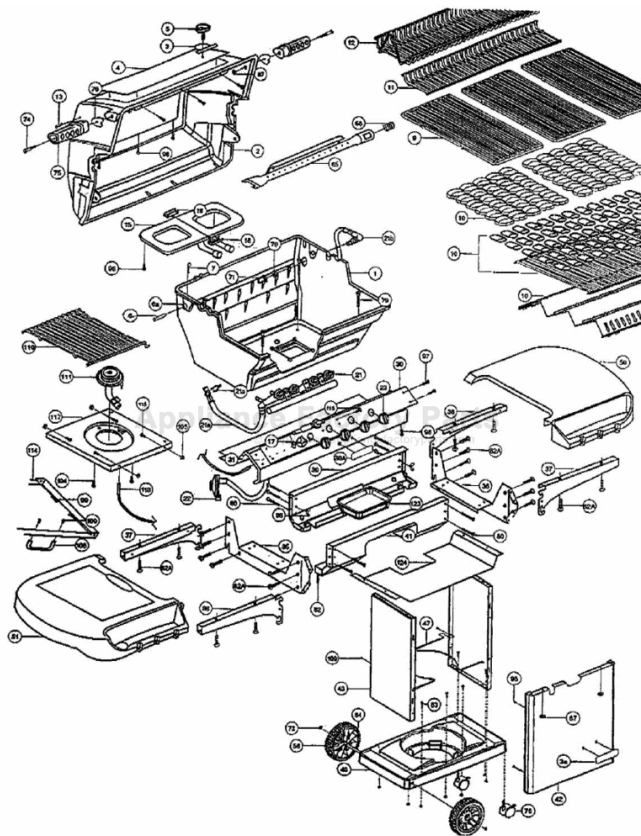


This Owner's Manual is provided and hosted by [Appliance Factory Parts](#).



Broil King 958-94 Owner's Manual

[Shop genuine replacement parts for Broil King 958-94](#)



[Find Your Broil King Grill Parts - Select From 1350 Models](#)

----- Manual continues below part list -----

Available Replacement Parts for Broil King 958-94

04200	electrode
94881	heat plate, ss, 11.75 x 23; BK,
11219	CI COOKING GRID - 50M BTU
CG21SS	Cooking Grid Stainlss st Warm Morning G4

Broil King®

REDDI-BILT BARBECUES

ASSEMBLY MANUAL & PARTS LIST

MANUEL DE MONTAGE & LISTE DE PIÈCES

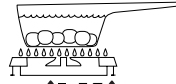
Broil King®

REGAL 70
958-74
958-77



Broil King®

REGAL 90
958-94
958-97



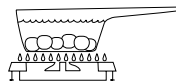
Broil King®

IMPERIAL 20
969-24
969-27



Broil King®

IMPERIAL 40
969-44
969-47



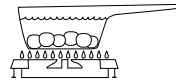
Broil King®

IMPERIAL 70
969-74
969-77



Broil King®

IMPERIAL 90
969-94
969-97



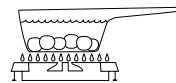
Broil King®

SIGNET 50
5818-4
5818-7



Broil King®

SIGNET 80
5848-4
5848-7



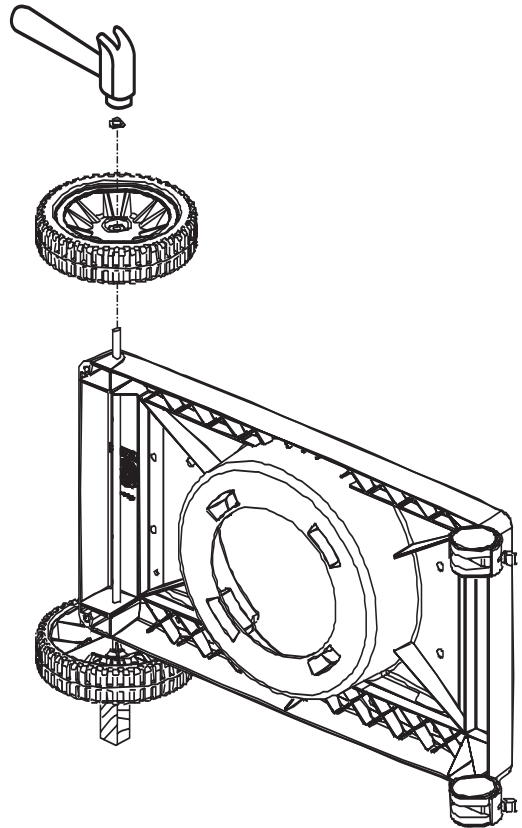
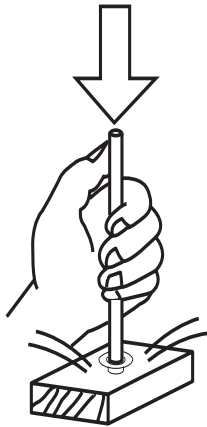
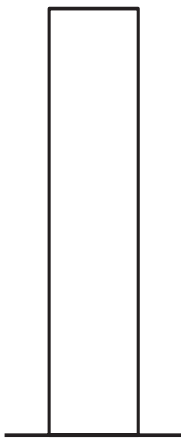
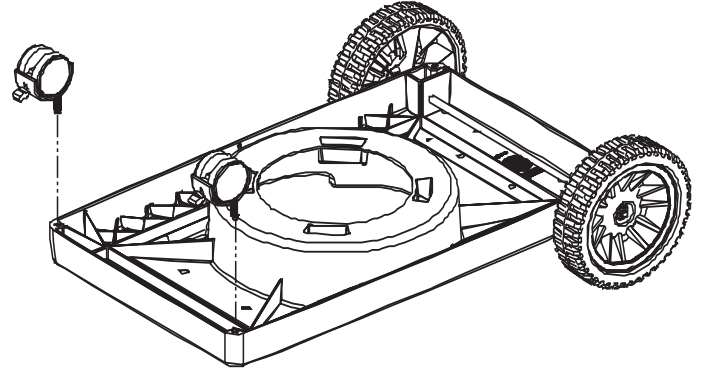
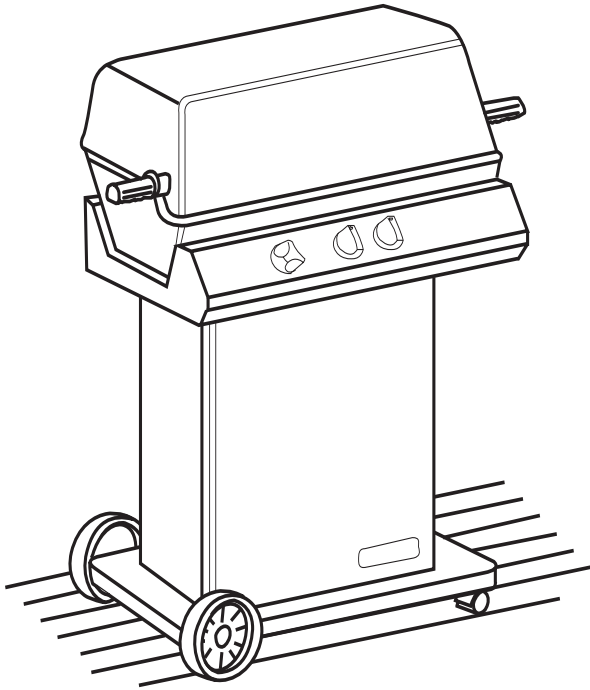
RETAIN FOR FUTURE REFERENCE

VEUILLEZ CONSERVER POUR REFERENCE ULTERIEURE

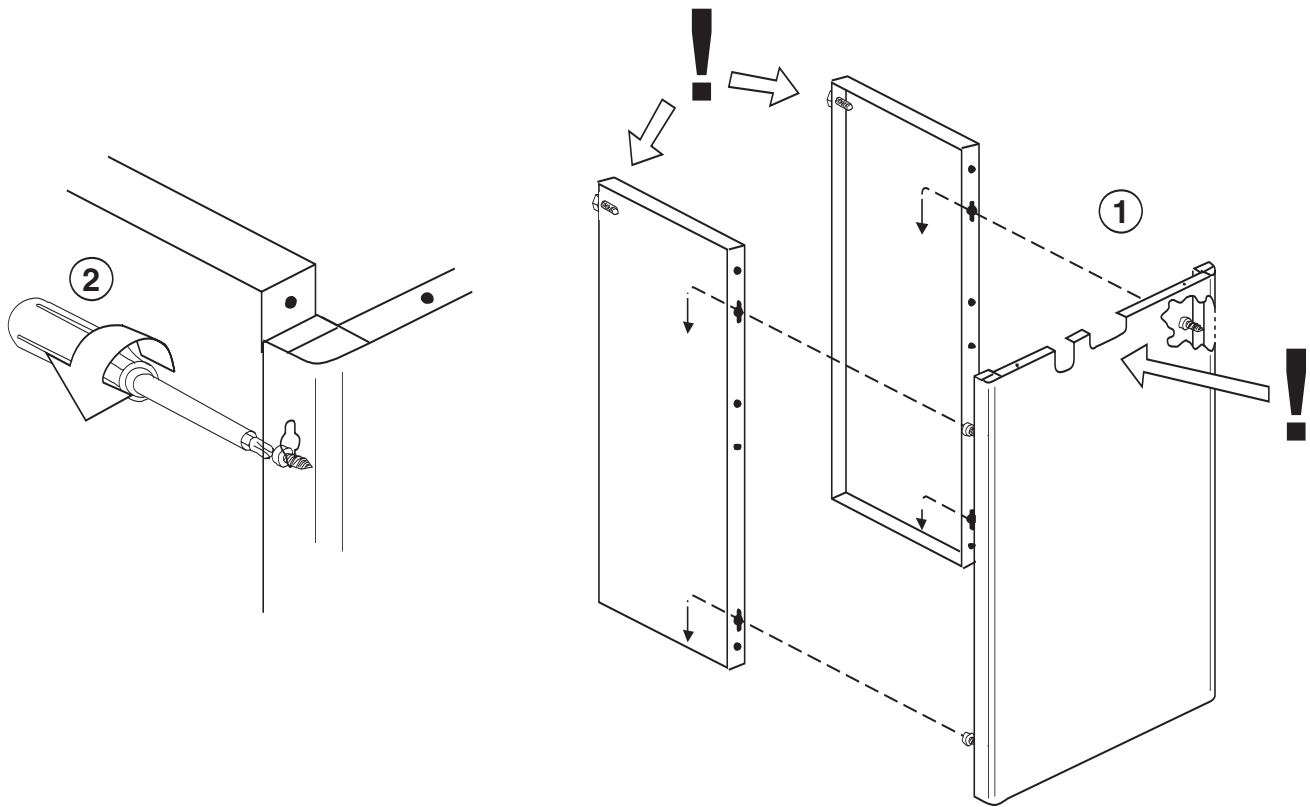
Onward
MANUFACTURING COMPANY LIMITED
SINCE 1906
585 KUMPF DRIVE
WATERLOO, ONTARIO, CANADA
N2V 1K3

1

(2)

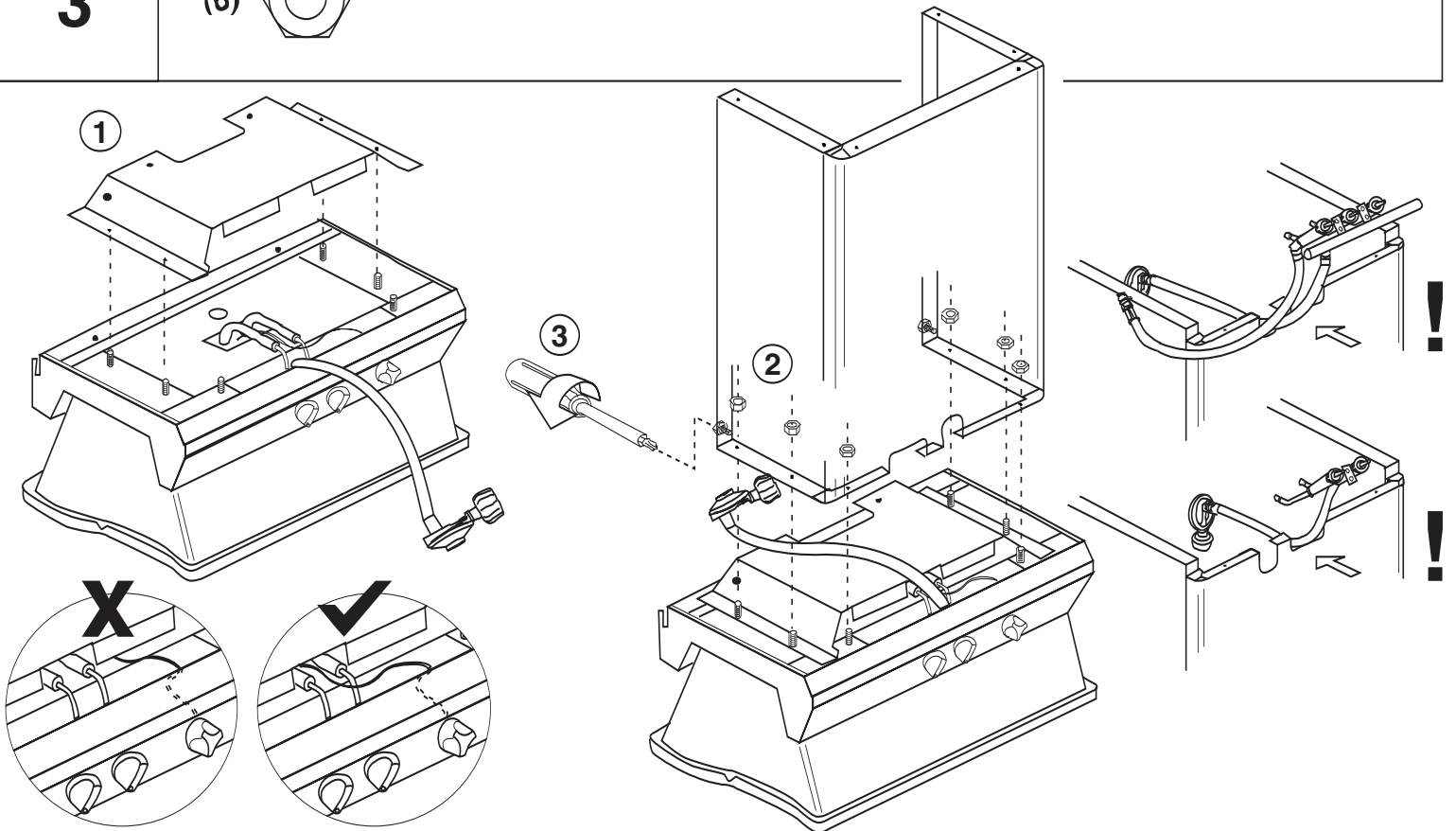


2

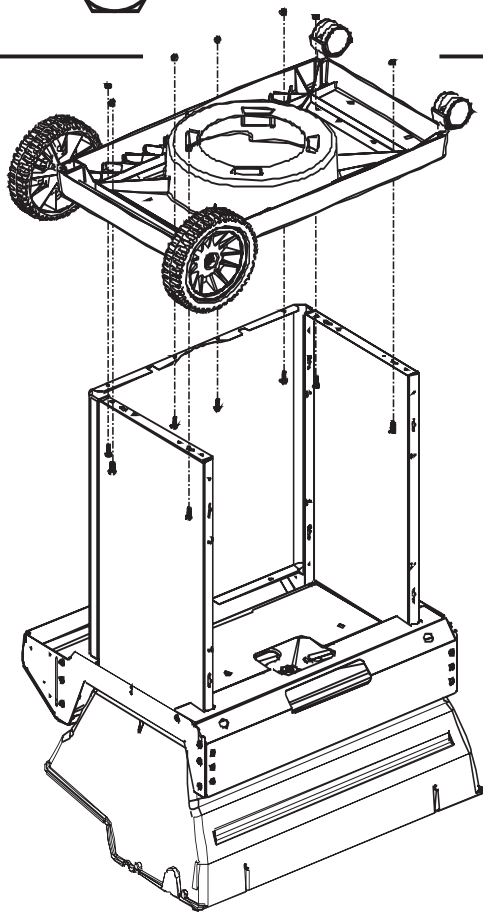


3

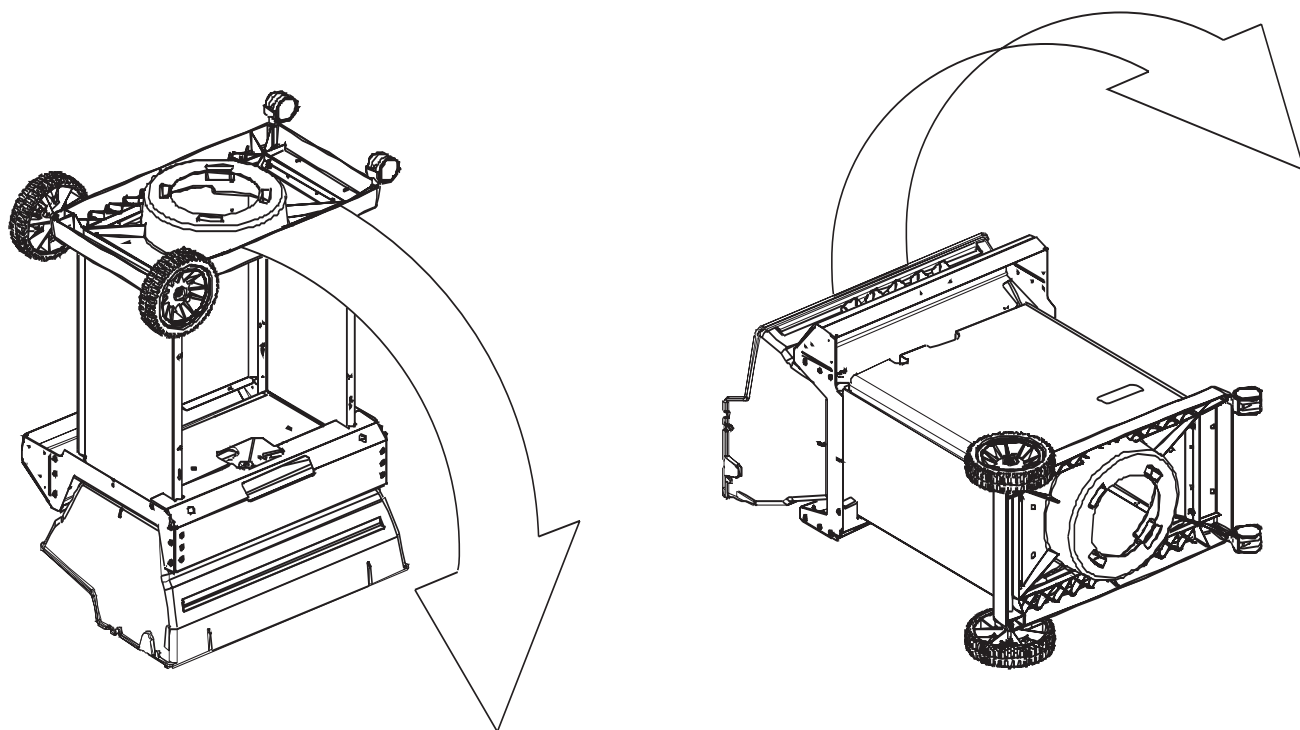
(6)



4

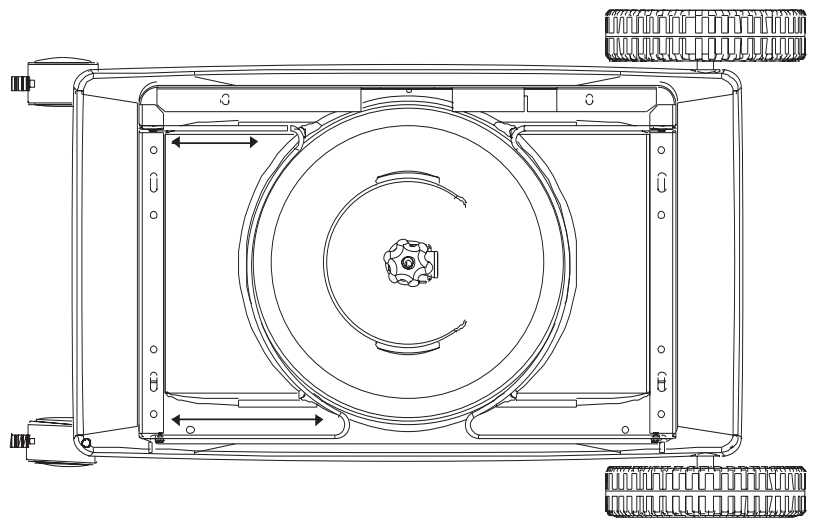
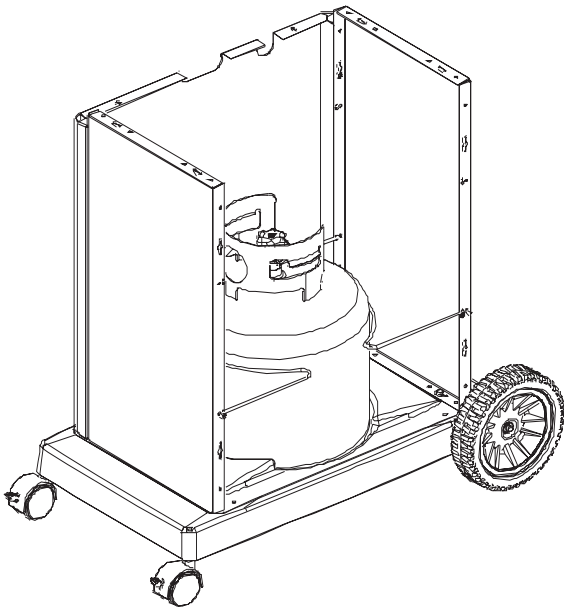
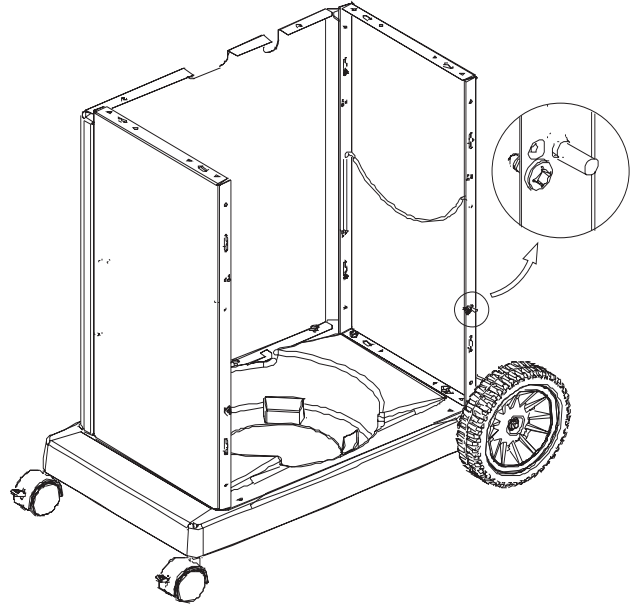
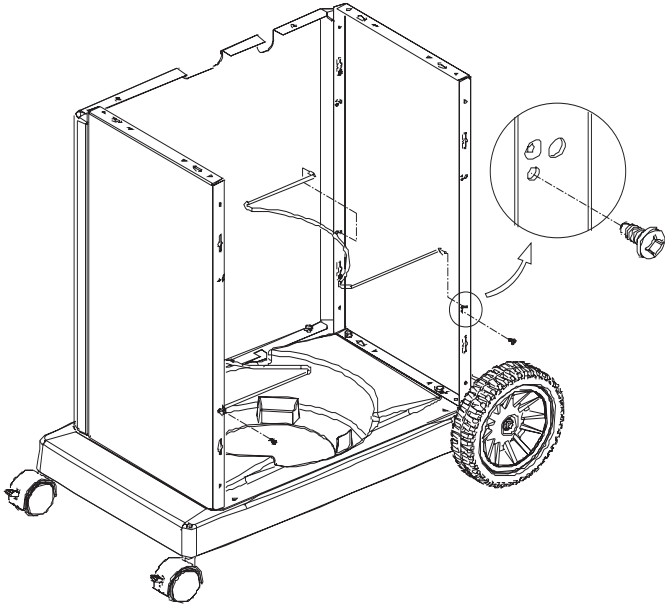


5



6

(2) 

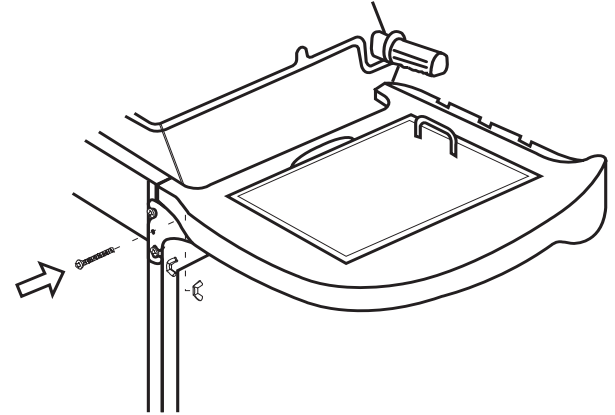
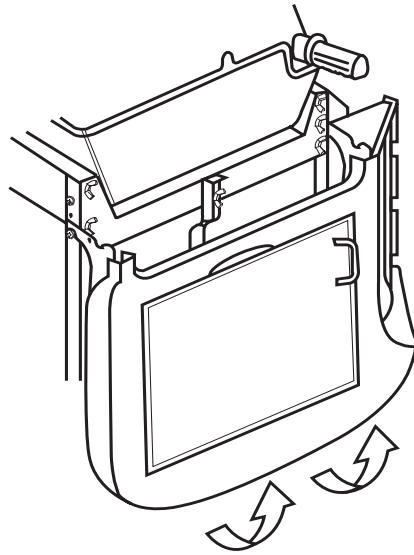
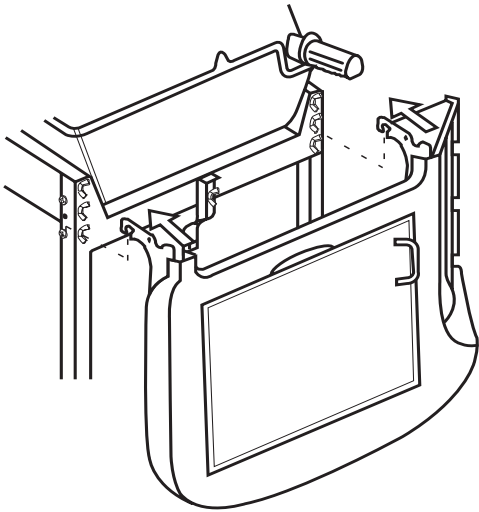
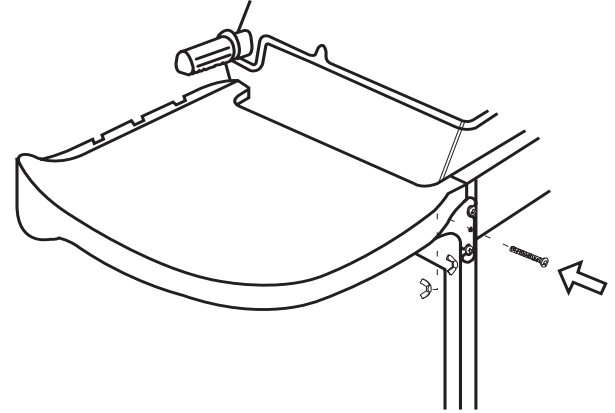
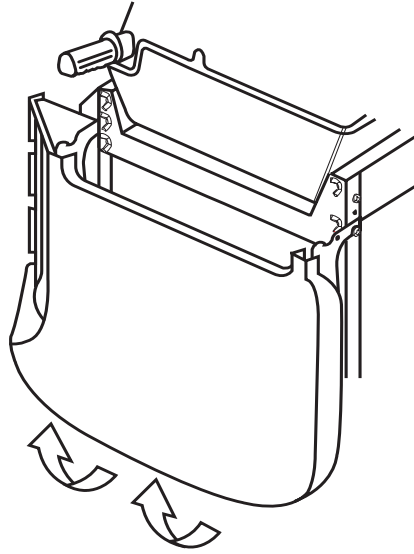
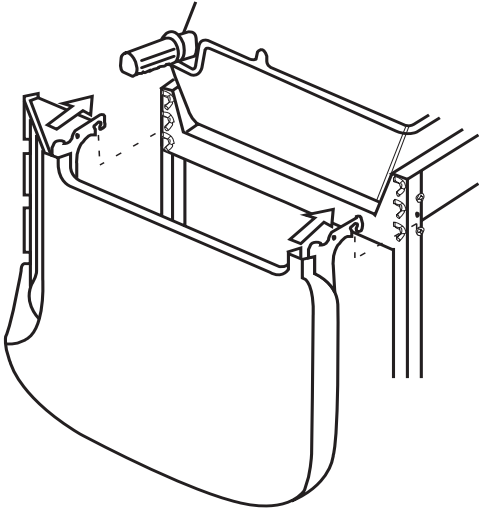


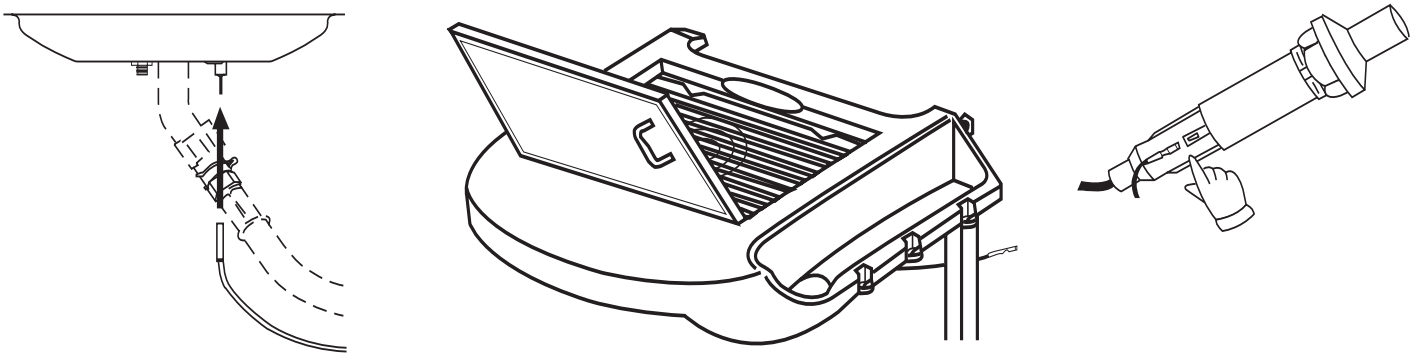
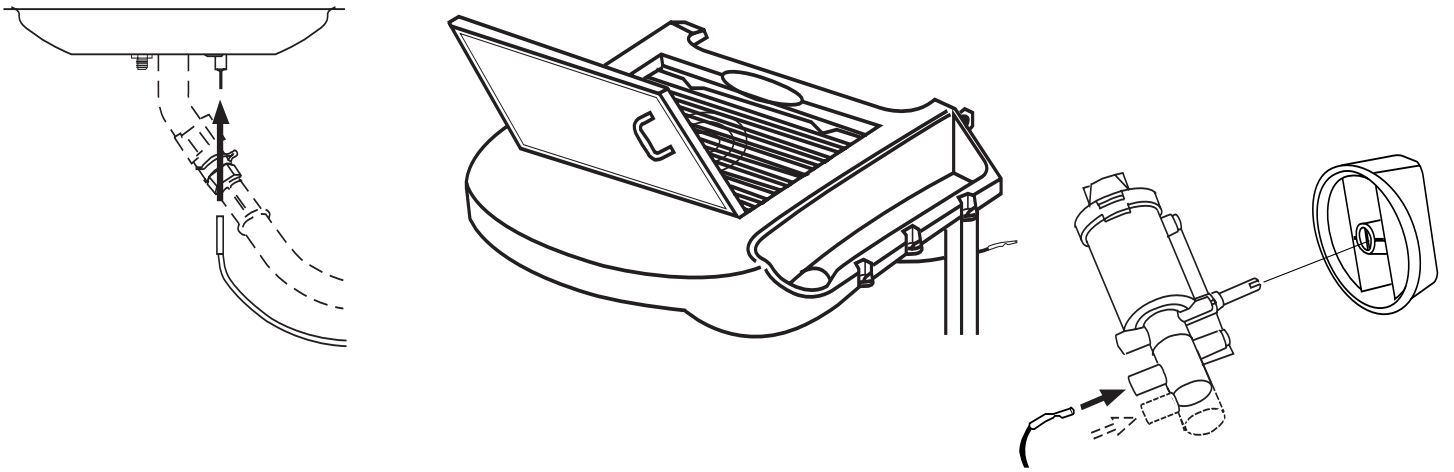
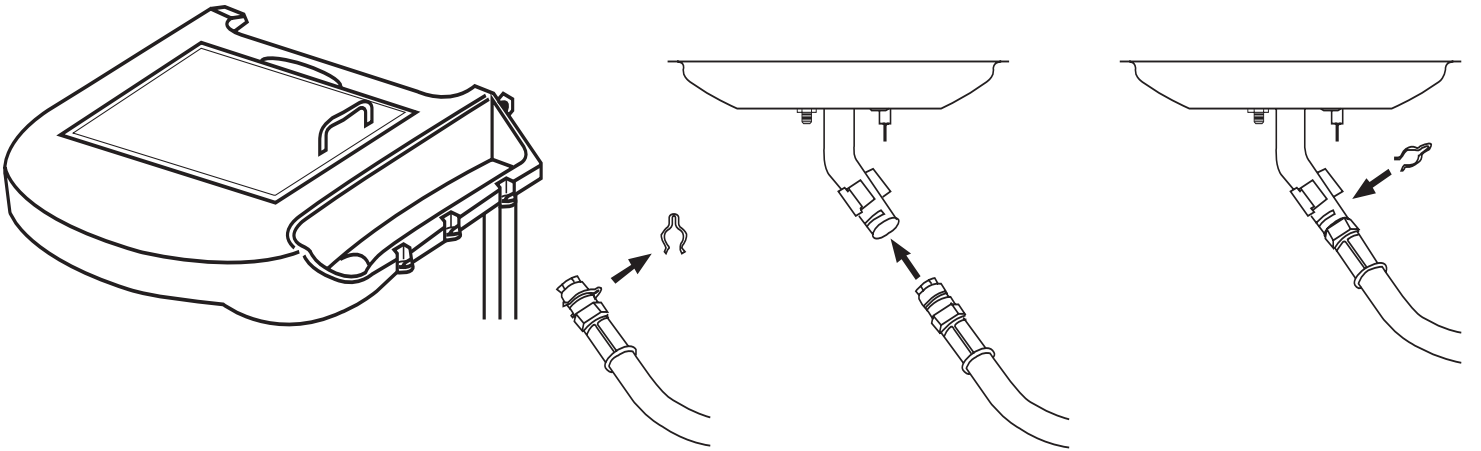
7

(2)

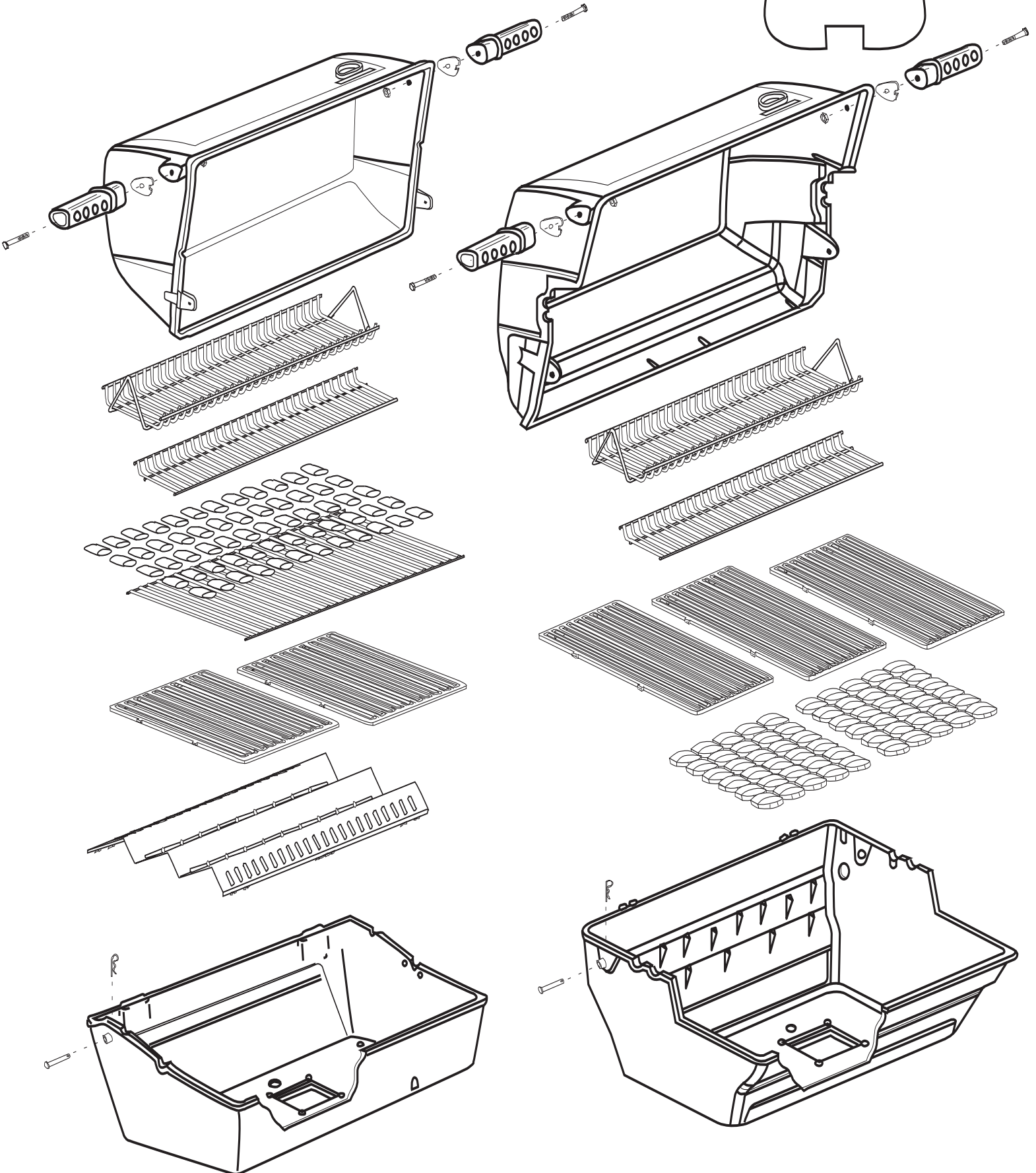
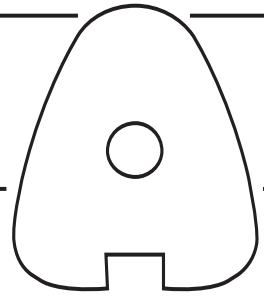
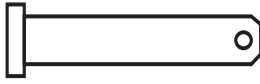


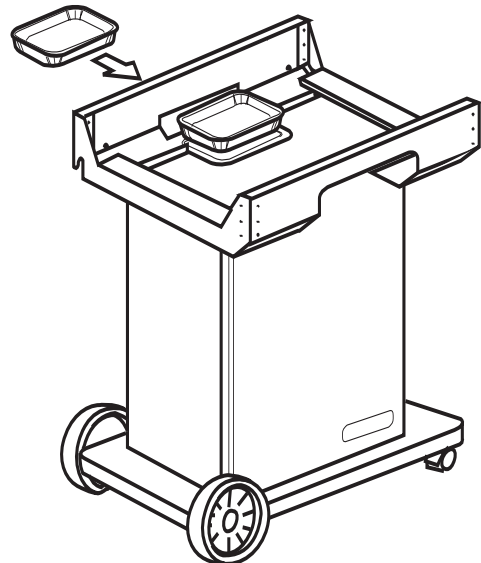
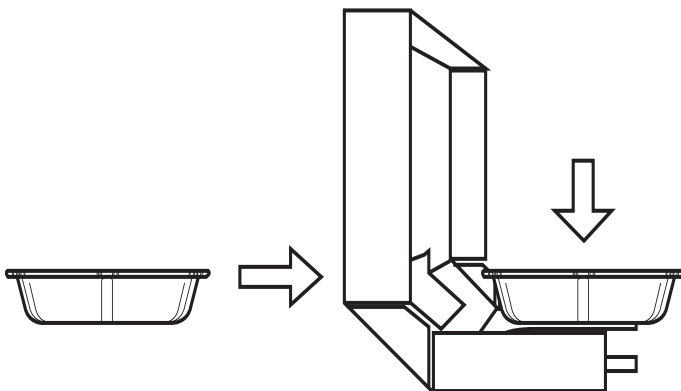
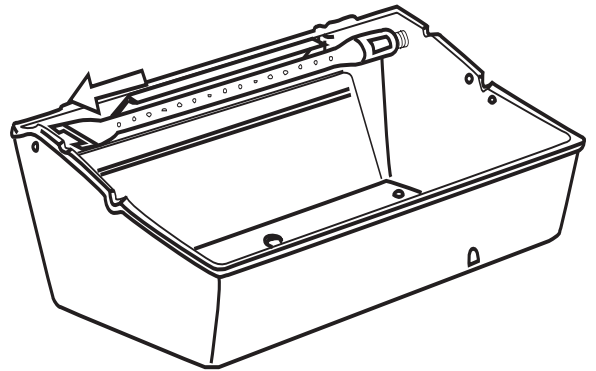
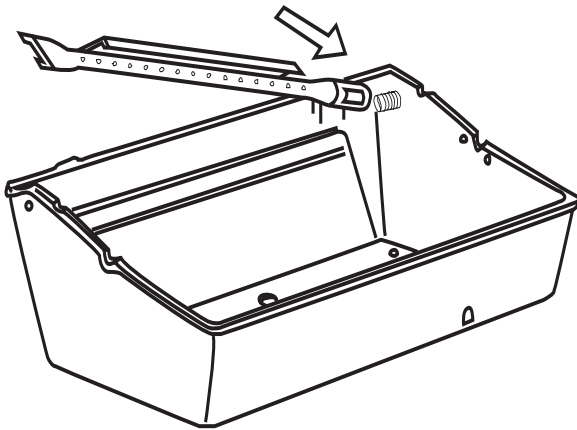
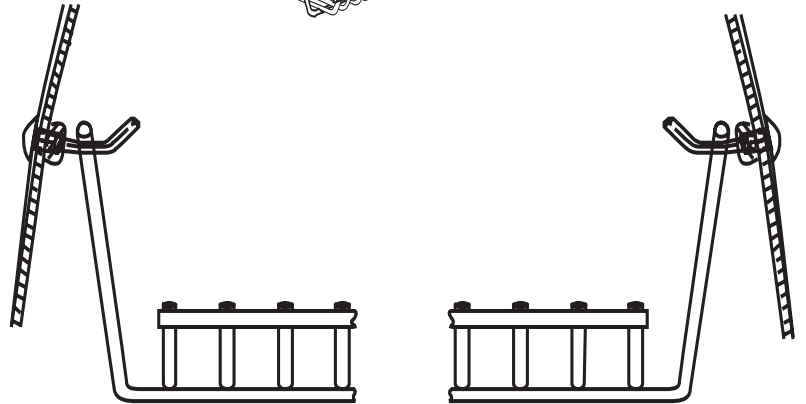
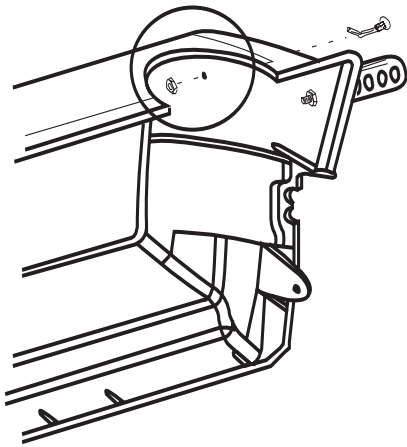
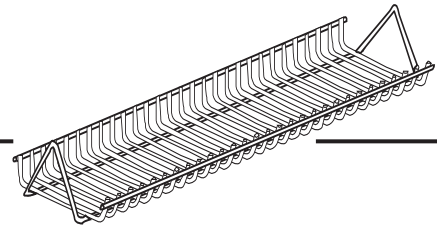
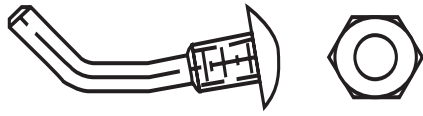
(2)





8





PARTS LIST/LISTE DES PIECES

KEY #	ITEM #	DESCRIPTION	DESCRIPTION	958-74	958-94	969-24	969-44	969-74	969-94	5818-4	5848-4
				958-77	958-97	969-27	969-47	969-77	969-97	5818-7	5848-7
1.	10909-T45	CASTING BOTTOM	FOND DU FOYER	1	1
	10909-T50	CASTING BOTTOM	FOND DU FOYER	1	1
	10909-T60	CASTING BOTTOM	FOND DU FOYER	.	.	1	1	1	1	.	.
2.	10473-T45	CASTING TOP	COUVERCLE DU GRIL	1	1
	10473-T50	CASTING TOP	COUVERCLE DU GRIL	1	1
	10473-T60	CASTING TOP	COUVERCLE DU GRIL	.	.	1	1	1	1	.	.
3.	10081-BK603	NAMEPLATE	PLAQUE D'IDENTIFICATION	1	1	1	1	1	1	1	1
3A.	10081-BK601	NAMEPLATE	PLAQUE D'IDENTIFICATION	1	1	1	1	1	1	1	1
4.	10958-K70	TOP CASTING INSERT	PANNEAU DE COUVERCLE	1	1	1	1	1	1	1	1
5.	10571-6	HEAT INDICATOR	INDICATEUR DE CHALEUR	1	1	1	1	1	1	1	1
6.	10240-15	HINGE PIN	ATTACHE DE CHEVILLE	2	2	2	2	2	2	2	2
6A.	S21237	HINGE PIN SPACER	ESPACEUR DE CHEVILLE CHARNIERES	2	2	2	2	2	2	2	2
7.	S21233	HITCH PIN CLIP	ATTACHE DE CHEVILLE	2	2	2	2	2	2	2	2
9.	10225-T429	GRID - PORCELAIN	GRILLE	2	2
	10225-T536	GRID - PORCELAIN	GRILLE	3	3
	10225-T626	GRID - PORCELAIN	GRILLE	.	.	3	3	3	3	.	.
10.	10222-T425	FLAV-R-WAVE SS	FLAV-R-WAVE SS	1	1	1	1
	10222-T626	FLAV-R-CAST	FLAV-R-CAST	.	.	2	2	2	2	.	.
11.	10225-T451	GRID - WARMING RACK	GRILLE	1	1
	10225-T528	GRID - WARMING RACK	GRILLE	1	1
	10225-T628	GRID - WARMING RACK	GRILLE	.	.	1	1	1	1	.	.
12.	10225-T627	SWING BASKET	PANIER À BALANCOIR	.	.	1	1	1	1	1	1
13.	Y-11797	BOLT SWING BASKET	BOULON POUR PANIER A BALANCOIR	.	.	2	2	2	2	2	2
15.	10390-T501	BURNER/VENTURI ASSY	ENSEMBLE DE BRULEUR	1	1	1	1	1	1	.	.
	S10017	BURNER/VENTURI ASSY	ENSEMBLE DE BRULEUR	1	1
17.	10342-242	ROTARY IGNITOR	ALLUMEUR ROTATIF	1	.	1	.	1	.	1	.
	10342-243	ROTARY IGNITOR	ALLUMEUR ROTATIF	.	1	.	1	.	1	.	1
	10472-K40	ROTARY IGNITOR KNOB	BOUTON ROTATOIRE D'IGNITOR	1	1	1	1	1	1	1	1
18.	10342-T301	ELECTRODE	ELECTRODE	2	2	2	2	2	2	.	.
	S15500	ELECTRODE	ELECTRODE	2	2
21.	10440-R70	CONTROL ASSY LP-3V	SOUPAPE, (GAZ PROPANE)	1
	10440-R71	CONTROL ASSY NG-3V	SOUPAPE, (GAZ NATUREL)	1
	10442-R58	CONTROL ASSY LP-4V	SOUPAPE, (GAZ PROPANE)	.	1
	10442-R59	CONTROL ASSY NG-4V	SOUPAPE, (GAZ NATUREL)	.	1
	10440-D60	CONTROL ASSY LP-2V	SOUPAPE, (GAZ PROPANE)	.	.	1
	10440-D61	CONTROL ASSY NG-2V	SOUPAPE, (GAZ NATUREL)	.	.	1
	10442-D62	CONTROL ASSY LP-3V	SOUPAPE, (GAZ PROPANE)	.	.	.	1
	10442-D63	CONTROL ASSY NG-3V	SOUPAPE, (GAZ NATUREL)	.	.	.	1
	10440-R64	CONTROL ASSY LP-3V	SOUPAPE, (GAZ PROPANE)	1	.	.	.
	10440-R65	CONTROL ASSY NG-3V	SOUPAPE, (GAZ NATUREL)	1	.	.	.
	10442-R66	CONTROL ASSY LP-4V	SOUPAPE, (GAZ PROPANE)	1	.	.
	10442-R67	CONTROL ASSY NG-4V	SOUPAPE, (GAZ NATUREL)	1	.	.
	10440-D80	CONTROL ASSY LP-2V	SOUPAPE, (GAZ PROPANE)	1	.
	10440-D81	CONTROL ASSY NG-2V	SOUPAPE, (GAZ NATUREL)	1	.
	10442-R86	CONTROL ASSY LP-4V	SOUPAPE, (GAZ PROPANE)	1
	10442-R87	CONTROL ASSY NG-4V	SOUPAPE, (GAZ NATUREL)	1
21A.	S13467-091	HOSE-SIDE BURNER LP	TUYAU DU BRULEUR LATERAL PL	.	1	.	1	.	1	.	1
	S13467-132	HOSE-SIDE BURNER NG	TUYAU DU BRULEUR LATERAL GN	.	1	.	1	.	1	.	1
	Y-11230	COTTER PIN	ATTACHE DE CHEVILLE	.	1	.	1	.	1	.	1
21B.	10110-91	TUBE-REAR BURNER ASSY	TUBE DE BRULEUR ARRIERE	1	1	.	.	1	1	.	1
22.	10114-17	HOSE & REGULATOR LP - QCC1	TUYAU ET REGULATEUR PL - QCC1	1	1	1	1	1	1	1	1
	10111-K47	HOSE NATURAL GAS	TUYAU (GAZ NATUREL)	1	1	1	1	1	1	1	1
23.	10472-K37	CONTROL KNOB	BOUTON DE CONTROLE	3	4	2	3	3	4	2	4
30.	10086-D561	DECO PLATE-3V	PLAQUE DECORATIVE	1
	10086-D571	DECO PLATE-4V	PLAQUE DECORATIVE	.	1
	10086-R541	DECO PLATE-2V	PLAQUE DECORATIVE	1	.
	10086-R571	DECO PLATE-4V	PLAQUE DECORATIVE	1
30A.	10086-D54	DECO PLATE-REGAL	PLAQUE DECORATIVE	1	1
	10086-R63	DECO PLATE -SIGNET	PLAQUE DECORATIVE	1	1
	10081-BK613	NAMEPLATE	PLAQUE D'IDENTIFICATION	.	.	1	1	1	1	.	.

