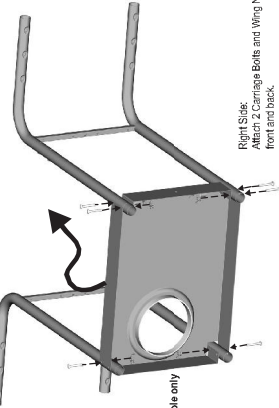
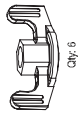


1 Items to Assemble:

- 1 Warming Rack
- 1 Heating Shelf
- 6 Carriage Bolts
- 6 Wing Nuts



Left Side:
Place 1 Carriage Bolt
and Wing Nut in upper hole only



Qty: 6

Right Side:
Attach 2 Carriage Bolts and Wing Nuts in
front and back.

2 Items to Assemble:

- 2 Wheel Assemblies
- 2 Hitch Pins
- 2 Leg Extenders

Attach Wheels with Hitch Pins

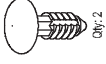
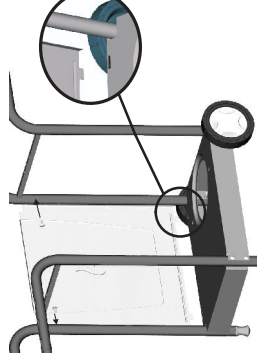


Qty: 2



3 Item to Assemble:

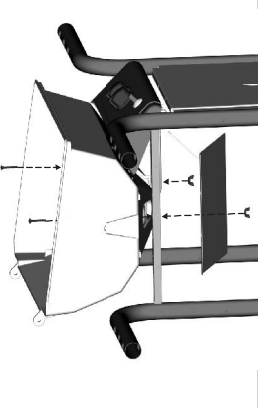
- 1 Front Panel
- 2 Push Pins



Qty: 2

4 Items to Assemble:

- 1 Heat Shield
- 2 Carriage Bolts
- 2 Wing Nuts
- 2 Control Knobs



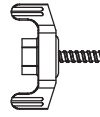
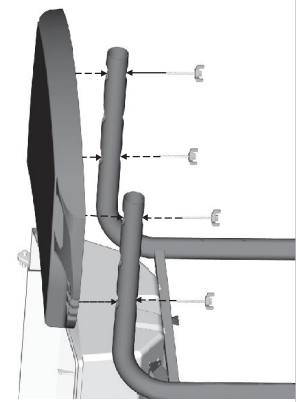
Qty: 2



Qty: 2

5 Items to Assemble:

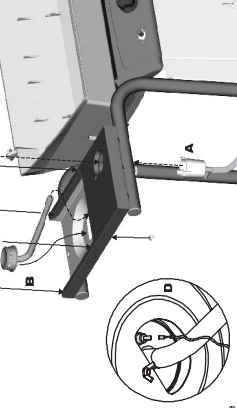
- 4 Wing Screws



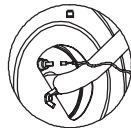
Qty: 4

7 Items to Assemble:

- 1 Staburner
- 1 Wing Nut
- 1 Spring Valve Clip
- 1 Staburner Knob
- 1 Staburner Grate
- 1 Staburner Wire



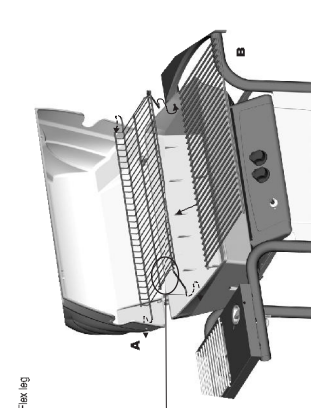
- A Attach Staburner Valve Clip to Staburner Knob. The spring valve clip must be inserted into the hole in the knob.
- B Place Staburner Knob and Grate with wing nut.
- C Place Staburner Grate and Grate.
- D Attach long wire from beneath console to electrode beneath Staburner.



Correctly assembled Staburner Tube in Valve

10 Items to Assemble:

- 1 Warming Rack
- 1 Cooking Grate

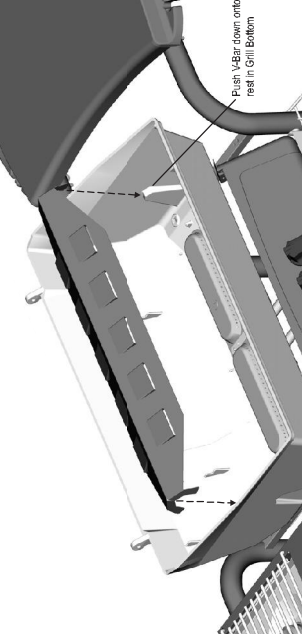


- A Insert pivot wire of Warming Rack into Lid. Fan leg wires to insert into Grill Bottom.
- B Place Cooking Grate into Grill Bottom.

Leg wires on Warming Rack must run underneath surface.

8 Items to Assemble:

- 1 V-Bar

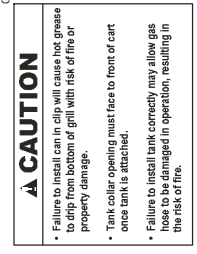


Push V-Bar down onto rest in Grill Bottom

11 Items to Assemble:

- 1 Grease Clip
- 1 LP Tank (purchase)

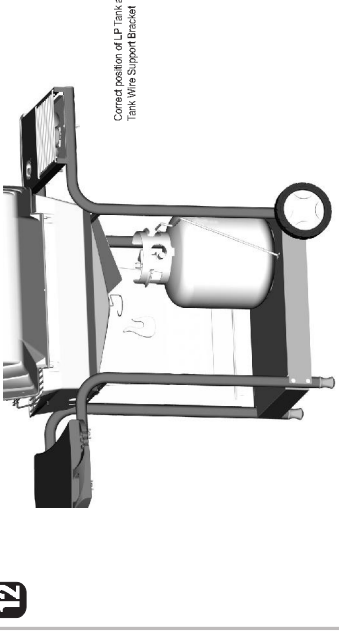
Hang grease clip from center of grill bottom. Use a soup can to hang from grease clip. LP tank is sold separately. Fill and leak check before attaching to grill and regulator.



CAUTION

- Failure to install can in clip will cause hot grease to drip from bottom of grill with risk of fire or property damage.
- Tank valve opening must face to front of cart once tank is attached.
- Failure to install tank correctly may allow gas hose to be damaged in operation, resulting in the risk of fire.

12



Correct position of LP Tank and Tank Wire Support Bracket