

This Owner's Manual is provided and hosted by [Appliance Factory Parts](#).



SKUTTLE 592-9 Owner's Manual

[Shop genuine replacement parts for SKUTTLE 592-9](#)



[Find Your SKUTTLE Humidifier Parts - Select From 59 Models](#)

----- Manual continues below -----

Skuttle® Model 592-9

24-Volt Spray Humidifier for Heat Pumps and High-Efficiency Furnaces



Skuttle
Indoor Air

101 Margaret Street,
Phone: (800) 848-9786
Email: techservice@skuttle.co

INSTALLATION INSTRUCTIONS

IMPORTANT:

THIS HUMIDIFIER MUST BE INSTALLED BY A QUALIFIED CONTRACTOR.

**DO NOT INSTALL ON ANY SYSTEM WITH WATER PRESSURE
LESS THAN 40 P.S.I.**

Installation on water systems with hardness ratings greater than 7 grains is not recommended. Such installations can result in nozzle blockage, dripping, erratic spray patterns and other maintenance problems. Hardness above 7 grains will also produce dust from solids in the water supply, which will be distributed throughout the home. Consult your municipal water provider before continuing.

SAFETY PRECAUTIONS

READ THESE PRECAUTIONS AND ALL INSTALLATION INSTRUCTIONS BEFORE INSTALLING THE HUMIDIFIER.

NOTE: Skuttle Mfg. Co. assumes no responsibility under warranty if installer does not follow these instructions and safety precautions.

- Do not install a humidifier where the heating temperatures can exceed 200°F. Excessive temperatures will damage the humidifier, possibly causing an overflow condition and water damage to the home.
- Do not install a humidifier where the surrounding temperature can be 32°F or colder. Frozen water will damage the humidifier and burst the supply pipe, resulting in home damage.
- Do not cut or drill into any air conditioning or electrical accessories during humidifier installation. **DANGER: Electrocutation is possible if you come in contact with a live wire; blindness can occur if refrigerant contacts your eyes.**
- When the humidifier is installed in an area where water damage could occur, connect the humidifier's overflow provision to a suitable drain pan.
- For above-ceiling installations, always install a drain safety pan, plumbed to a suitable drain.
- For initial recommended humidistat settings, refer to Table 1, below. (Because relative humidity affects people differently, these settings can be raised or lowered slightly to suit personal comfort levels.)
CAUTION: Setting the humidistat higher than the recommended setting can cause condensation, resulting in home damage. If excessive moisture appears on windows or walls, reduce the humidistat's humidity setting enough to eliminate condensation. If the situation continues, turn off the humidifier's water source until condensation is gone.
- Make sure the installation, wiring and plumbing of the humidifier comply with local codes, ordinances and regulations.

Outside Temperature	Recommended Setting	Outside Temperature	Recommended Setting
-20°F	Low	+10°F	Med
-10°F	Low	+20°F	High
0°F	Med	Above +20°F	High

Table 1

INSTRUCTIONS

GENERAL INFORMATION:

1.0 This humidifier puts moisture into the home by spraying a fine mist of water

← ← ← BEGIN READING

INSTALLING THE HUMIDIFIER:

3.0 **CAUTION:** When selecting a location for the humidifier, the spray will not impinge or accumulate on the evaporator coils or heating/air coils.

3.1 Select a location where the air will be moving past the humidifier.

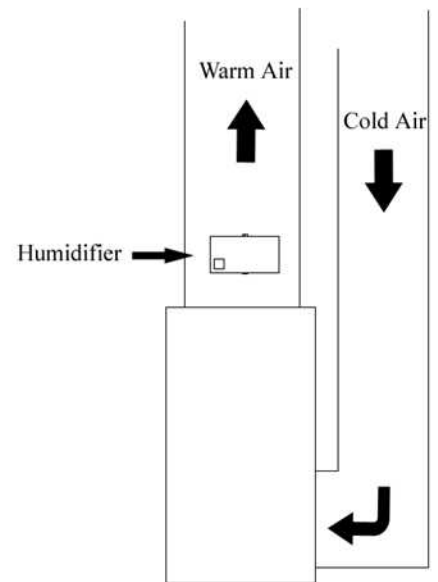


Figure 1

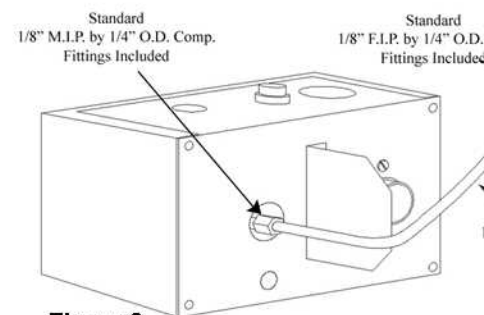
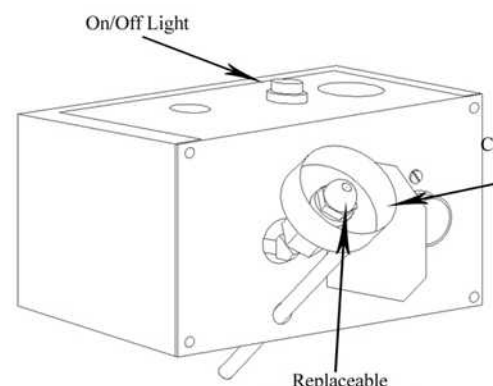


Figure 2



PLUMBING THE HUMIDIFIER:

5.0 Select the nearest cold water pipe and install the saddle connector and needle valve, supplied with this unit. **Use copper tubing only.**

- The needle valve is a self-piercing valve when installed on copper pipe. Follow the instructions supplied with the valve.
- Mount the valve so that water will come from the top or side. This will reduce the chance of minerals clogging the valve.

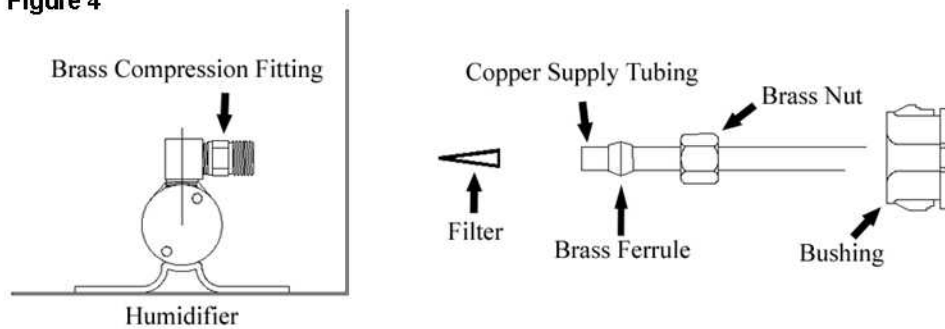
5.1 Follow these compression plumbing tips:

- Lightly clean the tubing ends with fine sandpaper before making connections.
- Make sure the tubing is fully inserted into the fitting before tightening the compression nut.

5.2 **IMPORTANT:** After attaching the saddle valve, thoroughly flush the supply tubing to clear the line. Otherwise, debris could block the water flow at the solenoid valve.

5.3 **IMPORTANT:** To assist you with cleaning, note the proper orientation of parts for assembly and disassembly (Figure 4, below).

Figure 4



5.4 Slide the hex nut over the copper tubing end. Slide the brass ferrule over the tubing. Push the end of the tubing into the threaded fitting and slide the hex nut up to the fitting. Tighten the nut.

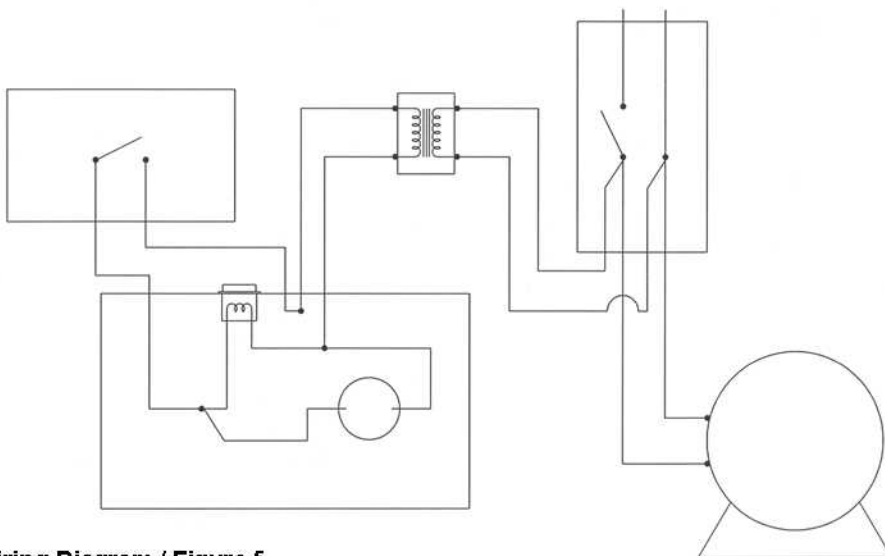
5.5 Slide the bushing over the tubing; insert the bushing through the humidifier wall until it snaps into place.

5.6 Open the needle valve at the cold water pipe. **IMPORTANT:** Check all fittings for leaks.

MOUNTING THE HUMIDISTAT:

6.0 **NOTE:** See the installation instructions packaged with the enclosed humidistat (humidity controller).

6.1 **NOTE:** When wiring the unit to a system that has a multi-speed blower motor, or that uses a motor other than 120 VAC, include the Skuttle A50 Interface Relay in your installation.



Wiring Diagram / Figure 5

HUMIDIFIER CHECKOUT:

Check the humidifier operation by following these procedures:

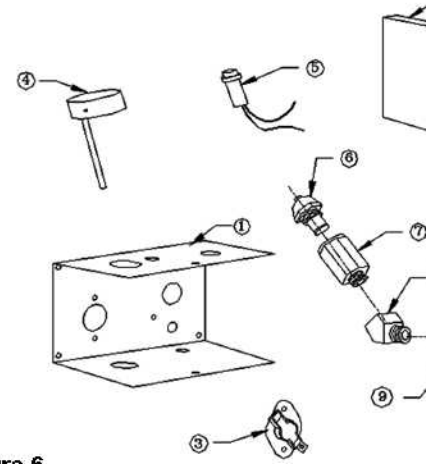


Figure 6

PARTS LIST

Key No.	Part No.	
1	000-1715-013	
2	A00-0641-099	F
3	000-0431-019	The
4	A00-1319-034	D
5	000-0814-070	In
6	000-1106-018 (Part no. varies w/size)	(Consu
7	000-1319-055	
8	000-1319-054	
9	A01-0814-148	So (inc
10	000-1319-070	
11	000-1154-000	
12	000-1319-051	
13	A00-1128-005	
14	SK0-0055-001	Humid

Table 3

HOMEOWNER HUMIDIFIER TIPS:

9.0 If the mineral content of the water in your home may form in the duct distribution system, though these lime deposits may adhere to the ducts, they do not significantly affect air distribution.

9.1 In a home that has had little or no humidity, the humidifier will operate almost continuously to attain the desired humidity level because furniture, woodwork, carpeting, and other materials will take approximately three weeks to reach normal humidity levels.

9.2 Natural drafts in the home can cause the humidifier to cycle frequently. Make sure they are closed.

9.3 When the weather turns warmer, the humidifier will cycle less frequently. **IMPORTANT:** Turn the water and electrical power off at the end of each heating season.

9.4 When water frequently flows through the humidifier, the solenoid valve can become clogged by lime deposits, diminishing humidification effectiveness. Clean the affected part(s). **NOTE:** It's a good idea to clean the humidifier at the start of each heating season to help ensure proper operation.