



Skuttle[®]

Indoor Air Quality Products

High Efficiency Air Cleaner Owner's Manual

WARNING: This product must be installed by a qualified heating and air conditioning contractor.

Congratulations

... on your purchase of a Skuttle High Efficiency Air Cleaner – one of the finest residential air filtration systems made.

Experience that Works for You

Skuttle has been manufacturing residential indoor air quality products since 1917, earning widespread acclaim as an industry leader. Our longevity and dedication to our customers have resulted in efficient, high-quality products which are easy to use and easy to maintain.

Maximum Enjoyment of Your Air Cleaner System

Please take a few minutes to read this manual. It will:

- familiarize you with the many features and benefits of your new Air Cleaner system;
- help you appreciate the need for minimal, regular maintenance to ensure extended years of efficient operation.

If, at some point, you need parts or service to maintain the superior performance of your Skuttle Air Cleaner, follow these procedures:

- Contact the heating and air-conditioning contractor who installed your unit. (Often, this information can be found on a label attached to your Air Cleaner or heating system.)
- If no label is found, look in the printed or on-line Yellow Pages under “Heating & Air Conditioning Contractors”.
- If these attempts to obtain parts or service are unsuccessful, contact:

Skuttle Indoor Air Quality Products

101 Margaret Street, Marietta, OH 45750

800-848-9786 or 740-373-9169 • 740-373-9565 (fax)

customerservice@skuttle.com • www.skuttle.com

Principle of Operation

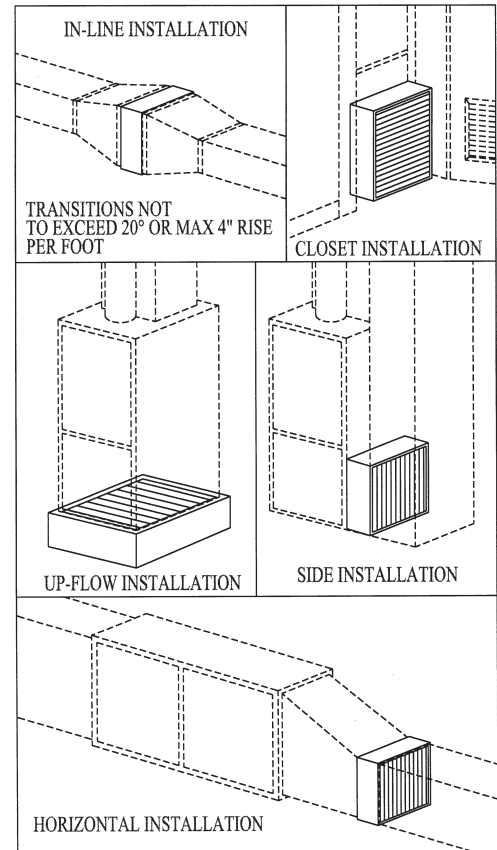
Unfiltered air enters through the return air duct of your home’s HVAC system, carrying dust, pollen and other pollutants. The vast majority of these contaminants are filtered out as the air passes through Skuttle’s highly-efficient Air Cleaner media. The deep-pleated design serves two purposes: 1) it minimizes airflow resistance by providing an expanded area for accumulation, and 2) it allows for a longer collection period than standard flat-media filters.

Selecting a Location for Installation

Use the drawings (right) to determine which installation configuration most resembles your situation. The Skuttle Air Cleaner can be installed horizontally, vertically or at an angle to suit your specific requirements. However, keep in mind that **the media must be removed for replacement, requiring adequate clearance space in front of the unit.** (See specifications, below.)

WARNINGS:

1. **Disconnect electrical power to the system before installing the Air Cleaner.** Electrical shock may cause serious injury or death.
2. **Use care when handling and cutting ductwork.** Sharp edges may cause serious injury.
3. **Do not cut or drill into air conditioning or electrical accessories.** Electrocutation is possible if you come in contact with a live electrical wire; blindness can occur if refrigerant gas contacts your eyes.
4. When installing a filtering system in conjunction with ultraviolet sterilizing equipment, **consult with the UV equipment manufacturer about the product's capabilities.** Consider installing deflectors to protect the filter materials from UV light exposure.



Product Specifications

Model DB-20-20 Air Cleaner

CAPACITY 600-1200 CFM
SERVICE LIFE 12 MONTHS
NOMINAL

RESISTANCE INCHES	
@ CFM	W. G.
600	.06
800	.11
1000	.16
1200	.21

MEDIA SIZE 19 3/4" H X 20 3/4" W X 4 7/8" D
REPLACEMENT MEDIA NUMBER 448-3

Model DB-25-16

CAPACITY 600-1200 CFM
SERVICE LIFE 12 MONTHS
NOMINAL

RESISTANCE INCHES	
@ CFM	W. G.
600	.06
800	.11
1000	.16
1200	.21

MEDIA SIZE 15 3/4" H X 24 1/4" W X 4 7/8" D
REPLACEMENT MEDIA NUMBER 448-1

Model DB-25-20

A00-1730-107
CLEANER CABINET

000-0448-002
MEDIA ELEMENT

A00-0641-180
CLEANER COVER

6 1/2"

24 1/2"

CAPACITY 800-2000 CFM
SERVICE LIFE 12 MONTHS
NOMINAL

RESISTANCE @ CFM	INCHES W. G.
800	.075
1000	.095
1200	.115
1400	.140
1600	.167
1800	.200
2000	.240

24 5/8"

19"

22 3/4"

REPLACEMENT MEDIA NO. 448-2

MEDIA SIZE 19 3/4" H X 24 1/4" W X 4 7/8" D

Drill-Hole Dimensions (all models)

1/8 DIAMETER (6) HOLES

A

B

C/L

C

3 3/8 TYP.

3/8 TYP.

MODEL	A	B	C
DB-20-20	19 1/4"	8"	16"
DB-25-16	22 3/4"	6"	12"
DB-25-20	22 3/4"	8"	16"

Installation

The Air Cleaner cabinet can be installed on ductwork using standard sheet metal screws up to 1" long.

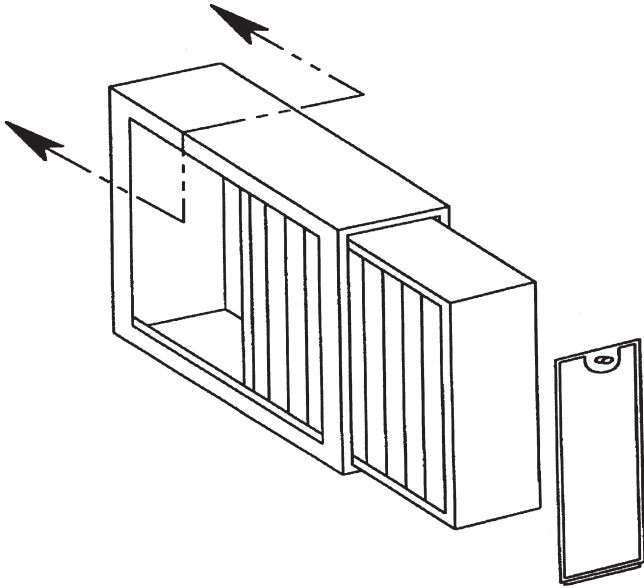
- Remove the cover and pull the media element out by grasping it at the top and bottom.
- Install the cabinet in the cold air return duct, so that air flowing through the duct also will flow through the Air Cleaner.
- Attach the ductwork; tape and seal all seams air tight.
- Reinstall the media element with the arrow pointing in the direction of the airflow; reinstall the cover.



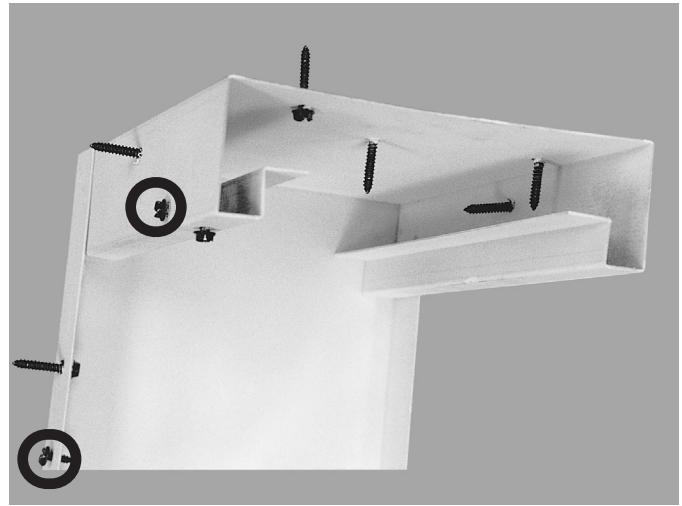
The Skuttle Air Filter replacement cartridge is classified by Underwriters Laboratories, Inc. as to Flammability only Class2 166NG3.

Securing the Air Cleaner Cabinet

This drawing shows a Skuttle High-Efficiency Air Cleaner cabinet. The sectioning lines and arrows indicate the cutaway portion of the cabinet, photographed at right.



This photo indicates a possible placement of sheet metal screws to secure the Air Filter to the ductwork. (Screw placement may vary, depending on the installation technique used.) Circled screws are 1/2" long to prevent interference with the filter media cartridge; all others are 1" long, #8 sheet metal screws.



Special Considerations

Transitions

Transitions – when needed – should be constructed so that the angle of expansion is no more than 20° (4" per foot, max.).

Turning Vanes

To reduce turbulence, turning vanes are recommended if the installation requires a 90° elbow, or if there is an angled fitting directly beside the Air Cleaner.

Humidifiers

It is crucial to avoid the buildup of moisture in and around the Air Cleaner media during humidifier operation. Evaporative type humidifiers will not effect the media. Spray or steam units should be installed in the air stream *after* the Air Cleaner. (If it is necessary to install a spray or steam humidifier that is inline *before* the Air Cleaner, there must be 8 or more feet of ductwork between the humidifier and the Air Cleaner.)

Maintenance

Replacement of the Air Cleaner's pleated media element (i.e., the filter itself) can be determined by periodic visual inspection. The average lifespan of a media cartridge is 12 months, but actual times vary depending upon system run times, and the amount and type of contaminants present. (You may want to have your HVAC contractor replace the media during the annual or biannual inspection of your furnace.)

Limited Ten-Year Product Warranty

This limited ten-year warranty covers this Skuttle Air Cleaner's cabinet and cover assemblies – excluding the replaceable element contained within and installation.

Skuttle Mfg. Co. warrants that this product is free from defects in material and workmanship under normal, non-commercial use and service.

Skuttle will remedy any such defects if they appear within 120 months from the date of the original installation, as evidenced by receipt of the warranty registration card, subject to the terms and conditions of this limited ten-year warranty, stated below:

1. THIS LIMITED TEN-YEAR WARRANTY IS GUARANTEED BY SKUTTLE MFG. CO., 101 Margaret Street, Marietta, Ohio 45750.
2. This warranty shall extend only to any noncommercial owner who has purchased this residential product other than for purposes of resale.
3. The completion and return of the warranty registration card is a condition **precedent** to warranty coverage and performance. Warranty is not valid unless this card is completed and mailed to the factory within fifteen (15) days of equipment installation.
4. All components are covered by this limited warranty, except expendable items.
5. If within the warranty period, this product, or any component, requires service, it must be performed by a competent heating and/or plumbing contractor (preferably the installing contractor). Skuttle will not pay shipping charges or labor charges to remove or replace such defective parts or components. If the part or component is found by inspection to contain such defective material and/or workmanship, it will be either repaired or exchanged, free of charge, at Skuttle's option, and returned freight collect.
6. In order to obtain the benefits of this limited ten-year warranty, the owner must notify the dealer or distributor in writing of any defects within thirty (30) days of the discovery. If after reasonable time, you have not received a satisfactory response, notify in writing: Skuttle Mfg. Co., 101 Margaret Street, Marietta, Ohio 45750.

SKUTTLE WILL RECEIVE, FREIGHT PREPAID, ONLY REMOVABLE PARTS OR COMPONENTS OF SUCH DEFECTIVE PRODUCTS.

7. This limited warranty does not apply to any part or component that is: damaged in transit or handling, or has been subject to abuse, neglect or accident; has not been installed, operated and serviced according to Skuttle's instructions; has been operated beyond the factory-rated capacity; or has been altered in any such way that its performance is affected. There is no warranty due to neglect, alteration or ordinary wear and tear. Skuttle's liability is limited to replacement of defective parts and components, and does not include the payment of the cost of labor charges to remove or replace such defective components or parts.
8. Skuttle will not be responsible for loss of use of any product: loss of time, inconvenience or any other indirect, incidental or consequential damages with respect to person or property, whether as a result of breach of contract, neglect or otherwise. **SOME STATES DO NOT ALLOW THE EXCLUSION OR LIMITATION OF EXCLUSION, SO THE PRECEDING SENTENCE MAY NOT APPLY TO YOU.**
9. **THIS WARRANTY GIVES YOU SPECIFIC RIGHTS, AND YOU MAY ALSO HAVE OTHER RIGHTS WHICH VARY FROM STATE TO STATE.**
10. Any warranty work will be performed within a reasonable time – usually within one-hundred-twenty (120) days after notice of defect and delivery to the Skuttle factory, subject to delays beyond the manufacturer's control.
11. Any warranty by Skuttle of merchantability, fitness for use or any other warranty (expressed, implied or statutory), representation or guarantee other than what is set forth herein, shall expire at the expiration date of this limited warranty. **SOME STATES DO NOT ALLOW LIMITATION OF HOW LONG AN IMPLIED WARRANTY LASTS, SO THE LIMITATION IN THE PRECEDING SENTENCE MAY NOT APPLY TO YOU.**
12. Skuttle reserves the right to make changes in the design and material of its products without incurring any obligation to incorporate such changes in the units completed on the effective date of such change.

SKUTTLE MFG. CO.

101 Margaret Street, Marietta, OH 45750 • (800) 848-9786 or (740) 373-9169

Skuttle Enhances Indoor Air Quality Three Ways To Make a Skuttle “Happy House”

In addition to *air filtration*, our three-tiered, integrated approach to home air quality includes *humidification* and *ventilation*.

Humidification



Model 2001
High-Capacity Bypass Flow-Thru Humidifier



Model 60-2
High-Capacity Steam Humidifier



Model 190
High-Capacity Drum Bypass Humidifier

Dry winter air makes your home drier than a desert! During the winter months, when cold, dry air enters your home and is heated, it has an intensified capacity to hold water. Acting like a sponge, it absorbs moisture from wherever it can find it – furniture, woodwork, plants, pets...even people! The result is a range of discomforts and potentially expensive problems, including:

- dry skin
- static electricity
- stuffy noses
- wilted plants
- sore throats
- cracked furniture and woodwork
- allergies and respiratory ailments
- damaged artwork, musical instruments and antiques

To combat these conditions, thousands of homeowners are discovering the multiple benefits of **Skuttle whole-house humidifiers**. Because needs vary, Skuttle makes 15 different models – enough to fit more floor plans, heating systems and water types than any other manufacturer.

Ventilation



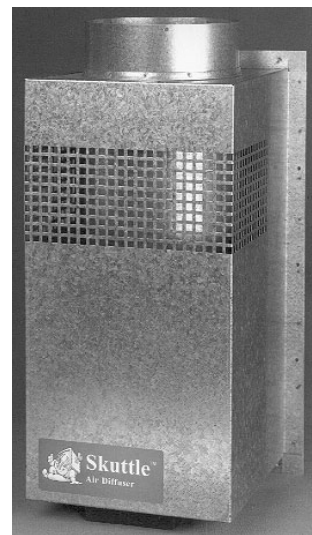
Model 216
Make-Up Air Control

Today's tightly constructed homes effectively retain conditioned (heated or cooled) air, but seal out fresh, healthful outdoor air. This condition contributes to what is known as *sick house syndrome* – a home environment in which family members frequently suffer from colds, flu, allergies, asthma and other ailments. Occasionally, these ailments are at a life-threatening level. Skuttle manufactures **two efficient systems** to bring the outdoors indoors for a healthier home atmosphere:

Skuttle's Self-Adjusting Make-Up Air Control uses your HVAC system to disperse fresh, filtered, conditioned

outdoor air throughout your home, without using additional electricity. By creating a slight pressure buildup, the Make-Up Air Control also prevents unwanted air infiltration around windows and doors.

The **Skuttle Make-Up Air Diffuser** supplies supplementary, fresh combustion air to appliances (furnaces, dryers, etc.) with inadequate combustion air sources.



Model D-28-6
Make-Up Air Diffuser

For more information, visit us online at www.skuttle.com, or contact us to request our *Consumer Awareness Bulletin*.

Skuttle Indoor Air Quality Products

800-848-9786 or 740-373-9169 • 740-373-9565 (fax)

customerservice@skuttle.com