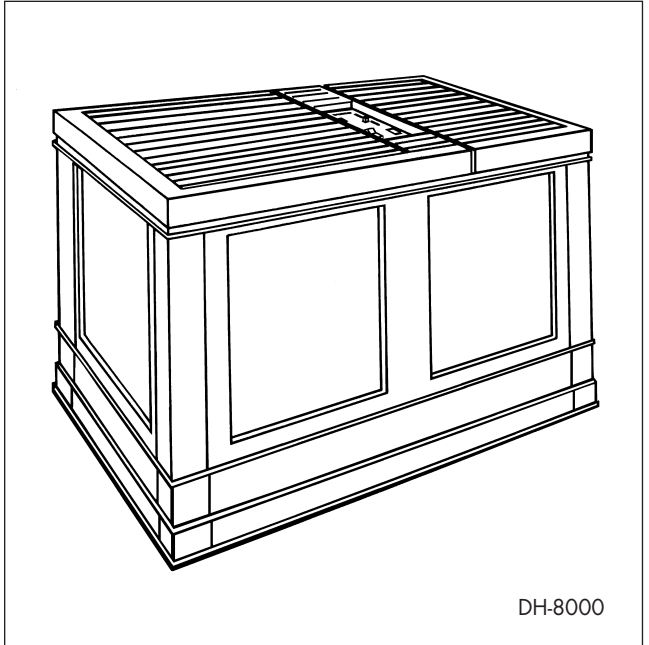


Duracraft®



OWNER'S MANUAL

**NATURAL COOL
MOISTURE™ WHOLE
HOUSE HUMIDIFIER
with Humidistat**

Model DH-8000, DH-8002, DH-8004 & DH-8005

IMPORTANT SAFETY INSTRUCTIONS

READ ALL INSTRUCTIONS BEFORE USING THIS HUMIDIFIER. SAVE THE INSTRUCTIONS FOR EASY REFERENCE.

WHEN USING ANY ELECTRICAL APPLIANCE, BASIC SAFETY PRECAUTIONS SHOULD BE FOLLOWED INCLUDING:

1. This humidifier may not work properly on an uneven surface. Always place this humidifier on a firm, flat and level surface.
2. Place this humidifier in an area where it is not accessible to children.
3. Do not place the humidifier near any heat sources such as stoves, radiators and heaters.
4. Before using the humidifier, check the power cord for any signs of damage. If the cord is found to be damaged, **DO NOT USE** and return the humidifier to Duracraft under the warranty agreement for repair.
5. This product is equipped with a polarized AC-line plug (a plug having one blade wider than the other). This plug will fit into the power outlet only one way. **This is a safety feature. NEVER** connect the humidifier to any power source other than a 120V AC polarized outlet. If you are unable to insert the plug fully into the outlet, try reversing the plug. If the plug should still fail to fit, contact an electrician to replace the obsolete outlet. **DO NOT defeat the safety purpose of the polarized plug.**
6. The humidifier should always be unplugged and emptied when not in operation or while being serviced or cleaned.
7. Never tilt or attempt to move the humidifier while it is operating or filled with water. **UNPLUG** the humidifier before moving.
8. This humidifier requires regular cleaning. Refer to the CLEANING instructions provided. Never clean the humidifier in any manner other than as instructed in this manual.
9. Turn the humidifier OFF if the relative humidity exceeds 60%, or if you notice moisture on the inside of your windows. For proper humidity readings use a hygrometer which is available in many hardware and department stores, or by ordering one from Duracraft (see Replacement Parts and Care Products).

INTRODUCTION

Thank you for purchasing a DURACRAFT® NATURAL COOL MOISTURE™ WHOLE HOUSE CONSOLE HUMIDIFIER with humidistat.

Before using your humidifier, we would like to explain the benefits of maintaining your home or office at the proper humidity level.

HEALTH

Your body needs moisture to stay healthy and comfortable. Dry air can be damaging and irritating. The Duracraft® Natural Cool Moisture™ Humidifier can help relieve:

- Dry, itchy skin and chapped lips.
- Cold symptoms and congestion.
- Dry, scratchy throat and coughs.

For serious medical conditions, always consult your physician prior to use.

ENVIRONMENT

Maintaining the proper moisture level in your home or office with your Duracraft® Natural Cool Moisture™ Humidifier will also:

- Replace needed moisture in furniture.
- Keep indoor plants moist and healthy.
- Eliminate cracking and dryness in wood furniture and fixtures.
- Minimize static electricity.

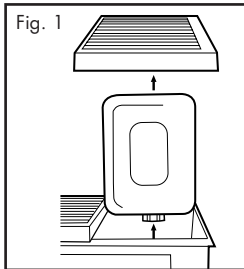
HOW DOES IT WORK?

Dry air is pulled through the Natural Cool Moisture™ system and a quiet fan disperses invisible, moisture-balanced air. Unwanted minerals and bacteria from the water are trapped inside the Natural Cool Moisture™ filter. There is no "mist" or excessive condensation emitted.

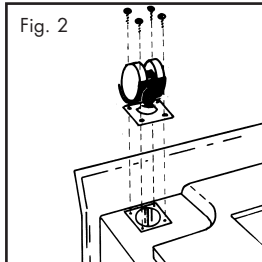
The Duracraft® exclusive Automatic Moisture Balance System™ increases moisture output when the air is dry and lowers the moisture output when the humidity level is high. This automatically helps to adjust the output for maximum comfort and helps prevent condensation.

SET UP

- Take the humidifier out of its carton. With the vented side away from you, remove the Top Grill and the water tank below it from the right side (Figure 1). Remove the power unit from the left side and lift out the Natural Cool Moisture™ filter assembly and filters. Then remove any additional packing material and the hardware packet containing the four swivel casters and screws.



- To install the swivel casters, turn the base upside down and align the casters with the four mounting squares on the bottom of the base. Secure the four casters to the base using the holding screws provided (Figure 2).
- Return the base to its original upright position.



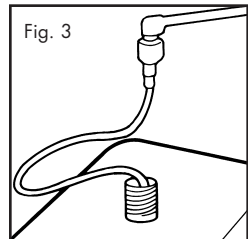
- Reposition the Natural Cool Moisture™ filter assembly with the arrows facing front. Insert the three Natural Cool Moisture™ filters into the assembly with the drainage on the bottom.
- Select a firm, level, flat location—at least 6 inches (15 cm) from any wall for proper air flow and convenient to an electrical outlet.

- Place the humidifier on a water-resistant surface, as water can damage furniture and some flooring. **Duracraft will not accept responsibility for property damage caused by water spillage.**

FILLING

We recommend that the humidifier be disinfected prior to first use. Please see CLEANING instructions.

- Remove the power unit on the left side of the unit.
- Remove the Top Grill and the water tank below it from the right side of the unit (Figure 1).
- To reduce residue buildup, remove the Natural Cool Moisture™ filters before filling the humidifier. Run them under cold water. Turn the filters upside down before repositioning them in the reservoir base. To help extend the life of your filters, repeat this step every time you fill your humidifier.
- Turn the water tank upside down and remove the fill cap by turning counter-clockwise. If the water tank will not fit under a faucet for direct filling, use the Fill Hose. Fit the funnel end of the hose over the faucet and place the small end into the water tank (Figure 3).



- Fill the tank with COOL tap water. Distilled water is not necessary as the water is filtered by the Natural Cool Moisture™ filter. DO NOT USE HOT WATER.

- After filling the tank, remove the Fill Hose from the faucet and let any remaining water drip into the tank before moving the other end of the hose.

- Replace the fill cap by turning it clockwise. DO NOT OVER TIGHTEN.

NOTE: WHEN CARRYING THE FILLED WATER TANK, PLEASE USE THE HANDLE AND PLACE YOUR OTHER HAND UNDER THE TANK FOR ADDITIONAL SUPPORT.

- Turn the water tank right-side up and reposition in the humidifier.
- Some water will empty into the reservoir base when the filled water tank is properly positioned.

NOTE: THE RESERVOIR BASE HOLDS MORE WATER THAN THE WATER TANK; IT MAY, THEREFORE, BE NECESSARY TO FILL THE TANK MORE THAN ONCE TO FILL THE HUMIDIFIER COMPLETELY.

- Once the filled tank has been positioned, do not attempt to move the humidifier. If it has to be moved, unplug the humidifier and remove the water tank first.

- Reposition the Power Unit on the left above the Natural Cool Moisture™ filter.

- Replace the Top Grill on the right.

NOTE: DO NOT POUR WATER INTO THE GRILL THROUGH THE TOP OF THE POWER UNIT. DOING SO MAY DAMAGE THE HUMIDIFIER OR CAUSE PERSONAL INJURY.

OPERATION

- With the power switch in the OFF position, plug the filled humidifier into a polarized 120V outlet. **DO NOT FORCE THE POLARIZED PLUG INTO THE OUTLET;** it will only fit one way.

CAUTION: DO NOT PLUG IN THE HUMIDIFIER WITH WET HANDS AS AN ELECTRIC SHOCK COULD OCCUR.

- Slide the Humidity Level control to HIGH.
- Turn on the humidifier;

the Power Switch will illuminate.

- Set the Moisture Output Control to the desired speed:

- SUPER for fast humidifying.
- HIGH for normal.
- QUIET for quieter operation.

NOTE: IF THE HUMIDIFIER FAN WILL NOT START — OR RESTART — WHEN YOU SELECT A SPEED, THE HUMIDISTAT MAY BE SET TOO LOW. MOVING THE HUMIDITY LEVEL (HUMIDISTAT) CONTROL TO A HIGHER SETTING SHOULD RESTART THE FAN.

- The length of time of your humidifier runs will vary depending on the quality of construction and insulation of your room or house, as well as the fan speed.

- When a comfortable humidity level is reached, lower the Humidistat setting slowly until the fan stops. The DESIRED HUMIDITY light will illuminate, indicating that the desired humidity setting has been reached. The Humidistat will automatically restart the fan each time the humidity level falls below this setting.

This "ON/OFF" cycle will continue periodically while the humidifier is in use.

- Lower the Humidity Level setting if you notice condensation forming on walls or windows.
- The humidifier will automatically shut off and the REFILL light will illuminate when the unit is near empty. Refill the water tank and restart, if you wish to continue using the humidifier.
- ALWAYS be sure to discard any unused water in the base each time you refill the water tank or finish using the humidifier.

CLEANING

We recommend that you clean the humidifier once a week, or more often if you:

- have hard water,
- notice a build-up of impurities, or
- detect unpleasant odors.

Using DuraSept™
Humidifier Bacteriostatic

Treatment (#AC-802) will control the growth of bacteria, algae, and odors and extend the life of the Natural Cool Moisture™ Filters.

NOTE: THE USE OF OTHER WATER TREATMENT PRODUCTS MAY CAUSE DETERIORATION OF THE FILTER OR DAMAGE THE HUMIDIFIER; THEREBY, HINDERING THE HUMIDIFIER'S EFFECTIVENESS.

DO NOT USE SOAP, DETERGENTS, OR ABRASIVE CLEANSERS.

Cleaning involves two steps: SCALE REMOVAL and DISINFECTING. Be sure to perform these in the proper order to avoid harmful chemical interactions.

- First, turn off and unplug the humidifier.
 - Remove the Power Unit and Top Grill from the base; remove the water tank by grasping the handle and pulling straight up.
 - Lift out the Natural Cool Moisture™ filter assembly and three filters; remove the filters from the assembly and set aside.
- Replace the empty Natural Cool Moisture™ filter assembly in the base.
- Step One: WEEKLY SCALE REMOVAL (Water Tank, Reservoir Base, and Filter Assembly)**
- Fill the reservoir base with DuraRinse™ Humidifier Cleaner (#AC-816), following bottle instructions, or one 8-oz. (250 ml) cup of undiluted white vinegar. Let solution stay for 20 minutes.
 - Use a sponge or soft brush to loosen any scale residue in the reservoir base and on the Natural Cool Moisture™ filter assembly.
 - Rinse thoroughly with warm, clean water to remove scale and cleaning solution.
 - Be sure the water tank is empty. Fill with water and DuraRinse™, following bottle instructions, or one 8-oz. (250 ml) cup of undiluted white vinegar.
 - Replace the fill cap and shake vigorously.
 - Empty the water tank and rinse thoroughly with warm clean water.

Step Two: WEEKLY DISINFECTING (Water Tank and Reservoir Base)

- Fill the water tank with 1 teaspoon of chlorine bleach in 1 gallon (4 litres) water. Let the solution stand for 20 minutes, swishing every few minutes to wet all inner surfaces.
- Carefully empty the water tank. Rinse with water until the bleach smell is gone.
- Repeat for reservoir base.

AFTER DISINFECTING . . .

- Clean all surfaces of the power unit with a dry, soft cloth. **DO NOT USE WATER TO CLEAN THE POWER UNIT. THIS MAY DAMAGE THE HUMIDIFIER OR CAUSE ELECTRIC SHOCK.**
- If you have hard water you may need to clean or change the filters more often. If the filters are dirty, rinse them under cold tap water and turn the filters upside down before repositioning in the base. Do not squeeze

or wring out pad. Do not soak pad in bleach or vinegar. When the filters turn dark brown, replace them. Using DuraSept™ Humidifier Bacteriostatic Treatment will help extend the life of the filters. For best and proven results always use Duracraft® Natural Cool Moisture™ Filters available from your local store or from Duracraft.

NOTE: THE FAN MOTOR OF THIS HUMIDIFIER AND THE NATURAL COOL MOISTURE™ FILTERS ARE DESIGNED TO FUNCTION EFFICIENTLY AS A SET. Using any other filter could damage the humidifier's motor or impair its performance.

- Remove the filters from their frames and run under tap water. Turn each filter upside down before putting it back into its frame. Slide the filters and frames back into position in the Natural Cool Moisture™ filter support assembly.
- Reposition the water tank in the humidifier.
- Reposition the Power Unit and Top Grill.

END-OF-SEASON CARE AND STORAGE

- Follow weekly CLEANING instructions at end of humidification season or when humidifier will not be used for at least one week or more.
 - Remove and throw away filters; do not store with used filters.
- SAVE THE FILTER FRAMES FOR USE WITH YOUR REPLACEMENT FILTERS.**
- Let humidifier dry completely before storing. Do not store with water inside the reservoir base.
 - Remove swivel casters from base.
 - Pack the humidifier and swivel casters in their original carton and store in a cool, dry location.
 - If the humidifier will not fit in its original carton, cover it with cloth or dust-proof material.
 - Remember to install new filters and clean the humidifier at the start of the next humidification season.

ELECTRICAL RATINGS

This product is rated 0.8 amps at 120V, 60 Hz.

NOTE: IF YOU EXPERIENCE A PROBLEM WITH YOUR HUMIDIFIER'S POWER UNIT, PLEASE SEE THE WARRANTY FOR INSTRUCTIONS. PLEASE DO NOT ATTEMPT TO OPEN OR REPAIR THE HUMIDIFIER YOURSELF. DOING SO WILL VOID THE WARRANTY AND COULD CAUSE DAMAGE OR PERSONAL INJURY. IF THE

PROBLEM STILL PERSISTS, PLEASE CALL:

DURACRAFT CORP.
CUSTOMER SERVICE
DEPARTMENT

TOLL FREE: 1-800-554-4558

Business Hours:
Monday – Friday
8:00 AM – 10:00 PM (EST)
Saturday, Sunday
8:30 AM – 5:00 PM (EST)

Mail questions or comments to:

DURACRAFT CORP.
Consumer Relations Dept.
250 Turnpike Road
Southborough, MA
01772
U.S.A.

Please be sure to specify model number.

CARE PRODUCTS

Model AC-802 — DuraSept™ Humidifier Bacteriostatic Treatment helps control the growth of bacteria and algae in your humidifier and helps prevent unpleasant mildew odors. It can also help extend the life of the Natural Cool Moisture™ Filter. For best results, DuraSept™ should be added every time you fill your humidifier.

Model AC-816 — DuraRinse™ Humidifier Cleaner helps soften lime scale and mineral deposits when cleaning the Natural Cool Moisture™ Humidifier. DuraRinse™ should be used whenever you begin to notice discoloration in the humidifier's reservoir or water tank.

Model AC-817 — DuraFree™ Humidifier Water Softener softens hard water impurity

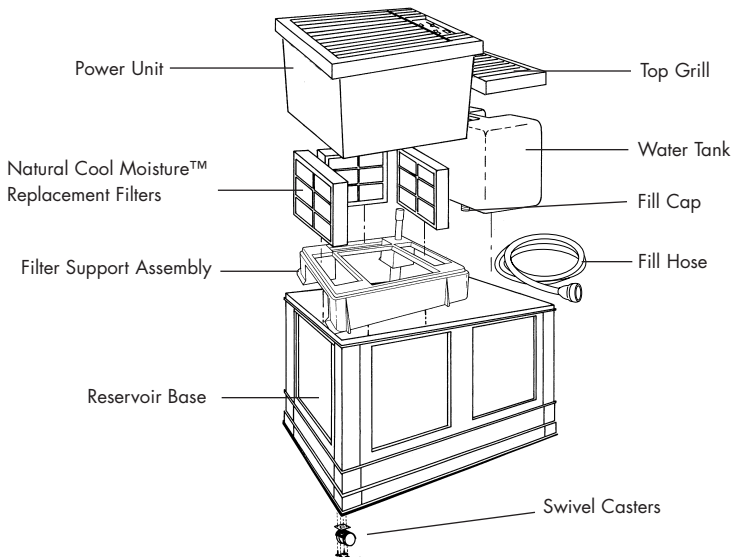
deposits in the reservoir and on the Natural Cool Moisture™ Filter so they can be easily rinsed away.

Model AC-850 — Humidifier Complete Care Kit A complete care kit for your Natural Cool Moisture™ Humidifier, including one 32-oz. (946 ml) bottle of each of the above products: DuraSept™, DuraRinse™ and DuraFree™.

REPLACEMENT PARTS AND CARE PRODUCTS

Item	Model	Price U.S.	Price Can.
Natural Cool Moisture™ Replacement Filters (set of 3)	AC-819	\$ 19.99	\$ 26.98
DuraFree™ Humidifier Water Softener (32 oz./946 ml)	AC-817	\$ 5.00	\$ 6.75
DuraRinse™ Humidifier Cleaner (32 oz./946 ml)	AC-816	\$ 5.00	\$ 6.75
DuraSept™ Humidifier Bacteriostatic Treatment (32 oz./946 ml)	AC-802	\$ 5.00	\$ 6.75
Evaporative Humidifier Complete Care Kit	AC-850	\$ 14.00	\$ 18.90
Reservoir Base (for Models DH-8000 & DH-8002)	DH-8000-1	\$ 40.00	\$ 54.00
Reservoir Base (for Model DH-8004)	DH-8004-1	\$ 40.00	\$ 54.00
Reservoir Base (for Model DH-8005)	DH-8005-1	\$ 40.00	\$ 54.00
Water Tank and Fill Cap	DH-8000-2	\$ 30.00	\$ 40.50
Fill Cap	DH-82008	\$ 5.00	\$ 6.75
Fill Hose	DH-82006	\$ 5.00	\$ 6.75
Filter Support Assembly	DH-82003	\$ 10.00	\$ 13.50
Swivel Casters (set of 4)	DH-82009	\$ 12.00	\$ 16.20
Hygrometer (measures room humidity level)	AC-900	\$ 14.99	\$ 20.25

To order replacement parts or care products, complete and mail the enclosed Order Form. Be sure to include a check or money order payable to Duracraft Corporation, or call the Duracraft Customer Service Department on our toll-free number: 1-800-554-4558. VISA, MASTERCARD and DISCOVER are accepted. The above prices do not include shipping charges or sales tax where applicable.



ORDER FORM FOR MODELS DH-8000/8002/8004/8005

REPLACEMENT PARTS AND CARE PRODUCTS

If your local dealer is out of stock, Duracraft replacement parts and care products may be ordered directly. Fill out the form and mail it along with a check or money order (no cash, please) to Duracraft Corp. at the address shown below. Please allow four weeks for delivery. Massachusetts residents add 5% Sales Tax. Please add 7% G.S.T. plus applicable provincial taxes.

Item	Item No.	Quan.	Price U.S.	Price Can.	Total
NATURAL COOL MOISTURE™ REPLACEMENT FILTERS (SET OF 3)	AC-819		\$ 19.99	\$26.98	
DuraFree™ Humidifier Water Softener (32 oz./946 ml)	AC-817		\$ 5.00	\$ 6.75	
DuraRinse™ Humidifier Cleaner (32 oz./946 ml)	AC-816		\$ 5.00	\$ 6.75	
DuraSept™ Humidifier Bacteriostatic Treatment (32 oz./946 ml)	AC-802		\$ 5.00	\$ 6.75	
Evaporative Humidifier Complete Care Kit	AC-850		\$14.00	\$18.90	
Reservoir Base (for Models DH-8000 & DH-8002)	AC-8000-1		\$40.00	\$54.00	
Reservoir Base (for Model DH-8004)	AC-8004-1		\$40.00	\$54.00	
Reservoir Base (for Model DH-8005)	AC-8005-1		\$40.00	\$54.00	
Water Tank and Fill Cap	AC-8000-2		\$30.00	\$40.50	
Fill Cap	AC-82008		\$ 5.00	\$ 6.75	
Fill Hose	AC-82006		\$ 5.00	\$ 6.75	
Filter Support Assembly	AC-82003		\$10.00	\$13.50	
Swivel Casters (set of 4)	AC-82009		\$12.00	\$16.20	
Hygrometer (measures room humidity level)	AC-900		\$14.99	\$20.25	

Parts and accessories subject to availability. Prices may change without notice.

CHECK OR MONEY ORDER ENCLOSED.
NO COD'S ACCEPTED.

SEND TO: Duracraft Corp.
Customer Service Department
250 Turnpike Road
Southborough, MA 01772
U.S.A.

SUBTOTAL	
7% G.S.T. & applicable provincial taxes	
MA Residents add 5% Sales Tax	
Shipping and Handling U.S. \$4.50/Can. \$6.00	
TOTAL ENCLOSED	

Name _____

Address _____

Daytime phone no. (____) _____

In case we need to contact you about your order.

Or for MasterCard, Visa and Discover orders:
Cardholder name (please print): _____

Cardholder signature: _____

Card Number: _____ Expiration Date: _____

Please Check: MasterCard Visa Discover

LIMITED WARRANTY

NATURAL COOL MOISTURE™ WHOLE HOUSE CONSOLE HUMIDIFIER with Humidistat

This product has been engineered and crafted with great care for your satisfaction.

Please read all instructions before attempting to use this product. **Be sure to fill out and return the enclosed card within 7 days of purchase.**

A. This 5 year limited warranty applies to repair or replacement of product found to be defective in material or workmanship. This warranty does not apply to damage resulting from commercial, abusive, unreasonable use or supplemental damage. Defects that are the result of normal wear and tear will not be considered manufacturing defects under this warranty. Duracraft is not liable for incidental or consequential damages of any nature. Any implied warranty of merchantability or fitness for a particular purpose on this product is limited in duration to the duration of this warranty. Some regions do not allow the exclusion or limitation of incidental or consequential damages, or limitations on how long an implied warranty lasts, so the above limitations or exclusions may not apply to you. This warranty gives you specific legal rights, and you also may have other rights which vary from region to

region. This warranty applies only to the original purchaser of this product.

B. At its option Duracraft will repair or replace this product if it is found defective in material or workmanship. Defective product should be returned directly to Duracraft.

C. This warranty does not cover damage resulting from any unauthorized attempts to repair or from any use not in accordance with this manual.

D. Return defective product to the following address with a brief description of the problem. Include proof of purchase and a U.S. \$12.00/Can. \$16.25 check or money order for handling, return packing and shipping charges. Please include your name, address and a daytime phone number. You must prepay shipping charges. Mark carton **“Attention Repair Department.”** Ship to:

Duracraft Corp.
Southpoint Distribution Center
4755 Southpoint Drive
Memphis, TN 38118
U.S.A.

NOTE: THIS WARRANTY DOES NOT COVER THE NATURAL COOL MOISTURE™ FILTER, WHOSE PERFORMANCE WILL DEPEND UPON THE CONDITION OF THE WATER USED IN THE HUMIDIFIER.

Duracraft[®]

250 Turnpike Road Southborough, MA 01772