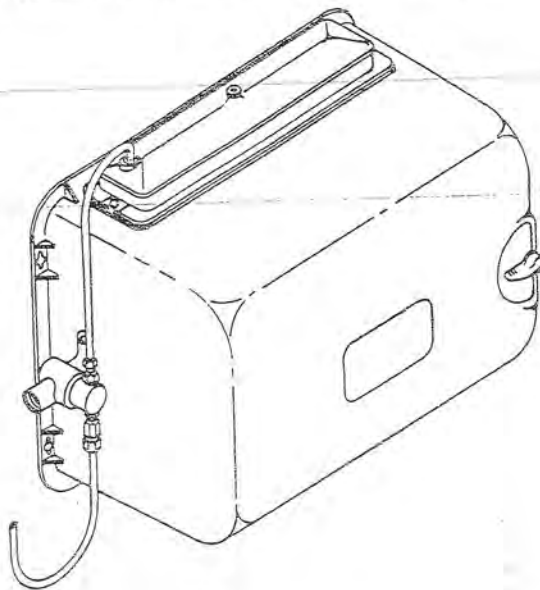


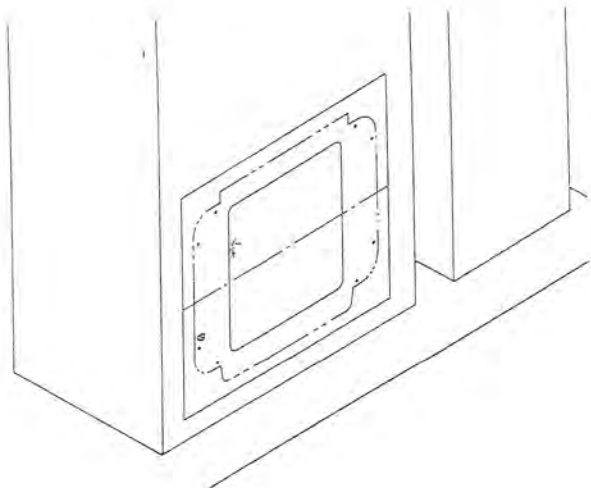
INSTALLATION INSTRUCTIONS

GENERAL 1040 POWER HUMIDIFIER

FOR INSTALLATION ON
VERTICAL SURFACE OF ANY
FORCED AIR FURNACE

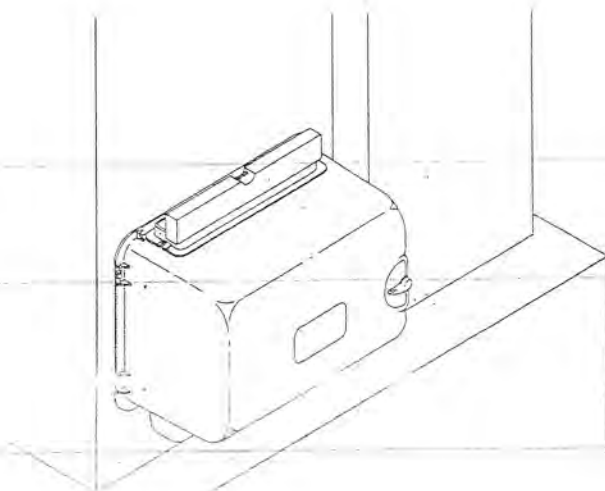


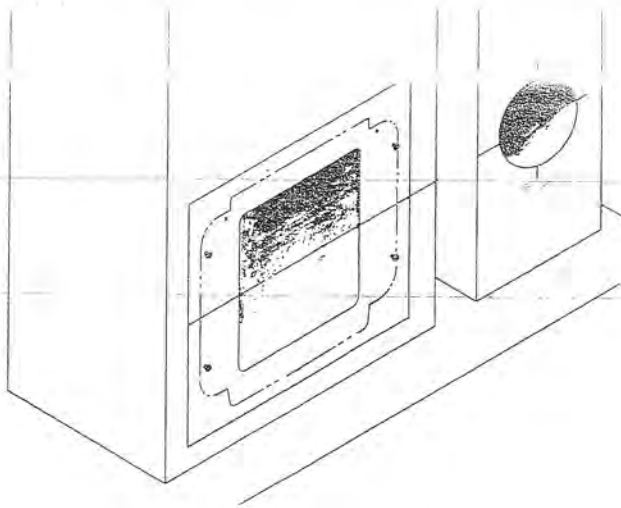
The following illustrations show the General "1040" installed with the 6" diameter outlet to the right. The humidifier may also be mounted with 6" outlet to the left by inverting the unit and reversing the positions of the water trough and drain pan. The "1040" may be mounted on the warm or cold air plenum with equal efficiency. See back of installation sheet for typical installations.



Select location on vertical surface of warm or cold air plenum for mounting humidifier. Stick mounting template in place making sure the template is horizontal.

Center punch the 4 side mounting holes on the template and drill with a 3/32" or 1/8" drill. Insert 4 sheet metal screws and tighten until heads project about 3/16". Hang humidifier on the 4 screws and tighten. Insert evaporator pad into housing from either the top or bottom. Attach distributor trough and drain pan with screws provided. Adjust humidifier until distributor trough is level. Check alignment of 2 holes at the top of humidifier and remark holes if necessary. Remove humidifier and drill remaining 2 holes.



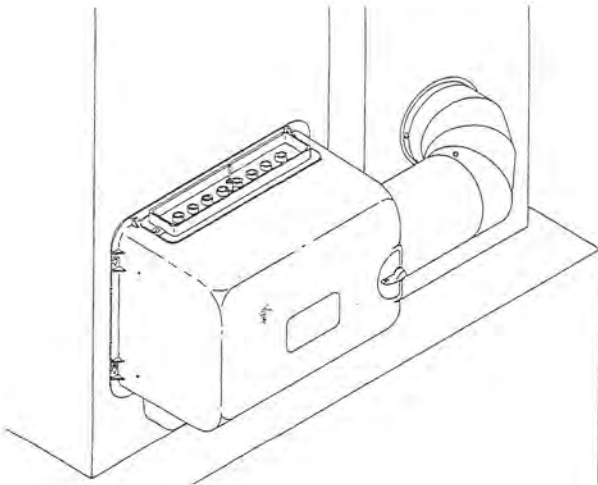
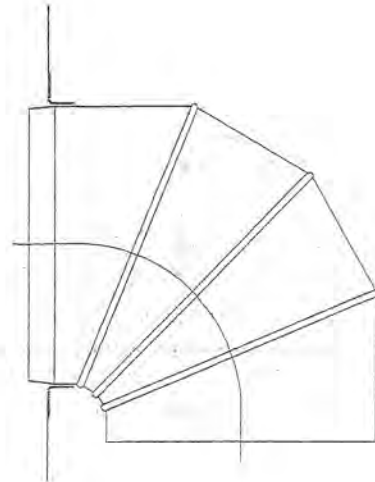


3

Cut out center section of template. On a basement model furnace, extend center line from template on warm air plenum to cold air plenum or vice versa. Select point on center line on cold air plenum closest to humidifier for mounting 6" elbow (not furnished). Mark and cut 6" round hole. Center punch and drill 4 — 1/8" mounting holes for flange. Hang humidifier and insert remaining 2 screws. Tighten all 6 screws.

Install flange provided on 6" hole. Insert 4 screws and tighten. Insert elbow into flange. Elbow must be inserted far enough to insure alignment of elbow and center line of 6" opening in humidifier. Drill 2 — 1/8" holes through flange and elbow. Insert 2 screws and tighten.

4



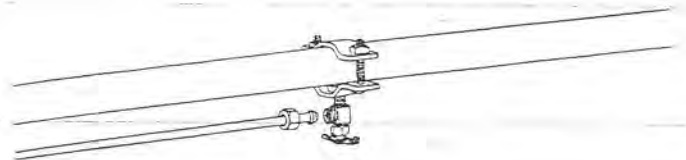
5

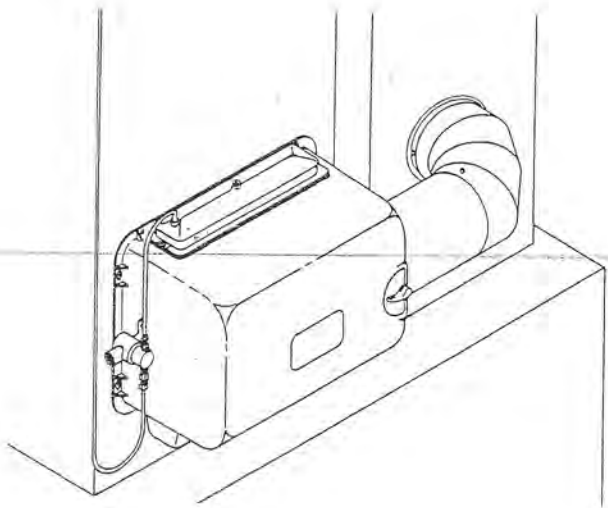
Determine length of 6" round pipe (not furnished) to fit between elbow and humidifier and cut to length. Fit pipe into elbow and over ring on humidifier. Drill 2 — 1/8" holes into 6" pipe and humidifier ring and secure with 2 — 1/4" long screws. Check operation of damper control to make sure screws do not interfere with rotation. Drill 2 — 1/8" holes into pipe and elbows and secure with screws.

Shut off water supply. Drill a 1/4" hole in nearest cold UNSOFTENED water pipe. Screw the valve THROUGH the saddle clamp. Place washer over pilot tube on valve. Install saddle valve with pilot tube entering pipe. Tighten assembly in place using top of saddle clamp and the two nuts and bolts furnished. Connect 1/4" copper tubing (not furnished) to saddle valve using compression nut and sleeve.

6

NOTE: When using the SELF TAPPING SADDLE VALVE, follow the instructions on the valve package.



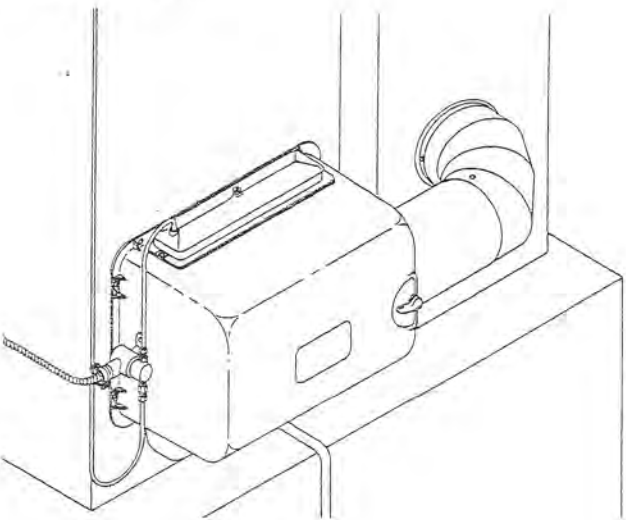
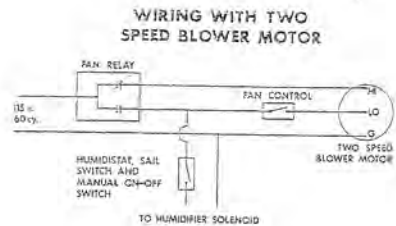
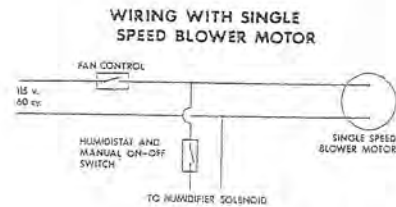


7 Attach solenoid valve with 2 screws to side of humidifier with distributor tube up. Inlet and outlet ports on valve may be reversed by loosening hex nut on end of solenoid and rotating valve 1/2 turn. Assemble distributor tube so that it is directed into the opening in the distributor trough cover. Make sure cover is located properly on top of the trough before tightening thumb nut. Wrench tighten compression nut and hex nut. Turn on main water supply. Open saddle valve for several seconds to flush dirt from pipe and tubing. Close saddle valve. Connect 1/4" water supply tube to brass filter at "inlet" of solenoid using compression nut and sleeve.

On furnaces with single speed blowers, connect wires from solenoid valve in parallel with furnace blower circuit. Connect humidistat in series with solenoid valve.

On furnaces with two speed blower, wired as shown, it is necessary to eliminate voltage feedback from the low speed motor windings during the cooling season. Use a humidistat with a sail switch and wire as shown. The fan control will then prevent feedback voltage to the humidifier.

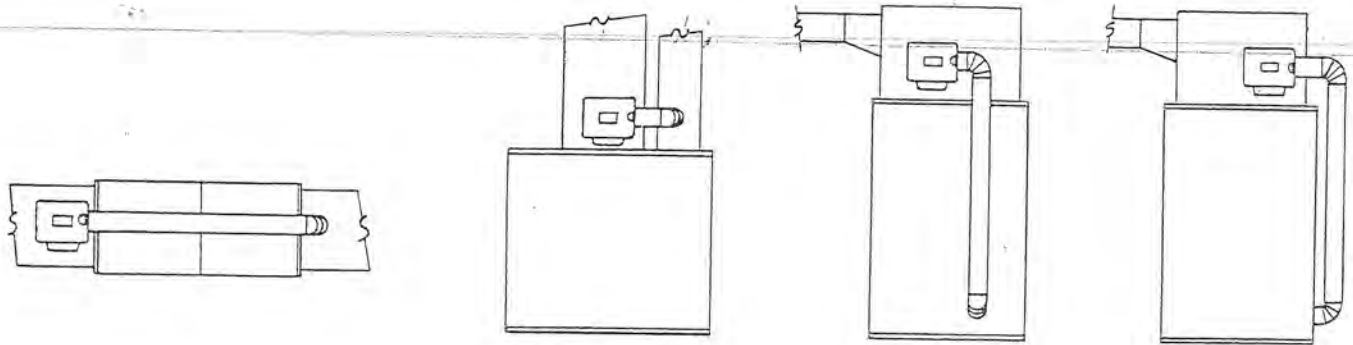
ALL WIRING SHOULD CONFORM TO LOCAL ELECTRICAL CODES.



9 Connect drain hose to 1/2" fitting on drain pan with clamp provided. Run hose to suitable drain such as floor drain, sewer or laundry sink. Be sure drain hose is not kinked at any point.

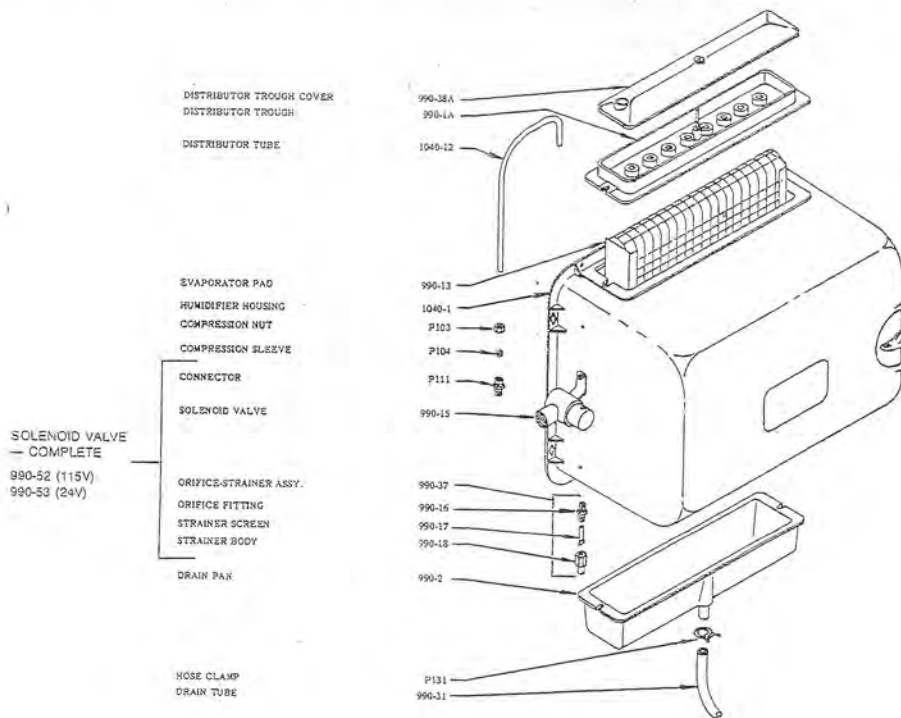
10 Turn on water supply and check operation of unit. With the furnace blower off, the solenoid valve should be closed. Start the furnace blower with the manual switch on the fan control or by turning the furnace on. The solenoid valve should open when the blower circuit is energized. Check flow of water through distributor trough and evaporator pad. The nameplate on the front of the unit may be removed for inspection purposes. The standard 990-16 orifice will supply approximately 3.5 GPH of water at a line water pressure of 60 psi. For low water pressures (20-40 psi) a slightly larger orifice 990-16-75 is available to provide the same flow at the lower pressure.

TYPICAL INSTALLATIONS



The "1040" may be installed on up-flow, down-flow or horizontal flow furnaces, on either the warm or cold air plenums with equal efficiency. Several typical installations are shown above; others will become readily apparent.

PARTS LIST FOR 1040 HUMIDIFIER



WHEN ORDERING PARTS REFER TO THE ABOVE LIST OF PART NAMES AND PART NUMBERS.

GENERAL FILTERS, INC.

43800 GRAND RIVER AVE.

NOVI, MICHIGAN 48375

CANADIAN GENERAL FILTERS, LTD.

CARE AND MAINTENANCE OF YOUR POWER HUMIDIFIER

Your Power Humidifier is engineered to give helpful and trouble-free humidification. For maximum efficiency the following cleaning procedures should be carried out at the end of each heating season:

1. Turn off water supply and electrical power to humidifier.
2. Disconnect the 1/4" water supply line from the solenoid valve.
3. Remove the small brass filter assembly from the solenoid valve.
4. Disassemble the filter and carefully pull the screen from the orifice fitting. Clean the mineral deposits from all parts. If the orifice is clogged, it may be opened by inserting a small needle. Reassemble the filter and screw assembly into solenoid valve.
5. Remove water distributor tube, distributor trough cover, trough and drain pan. The evaporator pad may be removed from either the top or bottom of the humidifier. Occasionally, lack of adequate clearance may require removing humidifier cabinet. Clean excessive mineral deposits from the distributor trough, trough cover and drain pan. A solution of 1/2 vinegar & 1/2 water will help loosen mineral deposits.
6. If the evaporator pad has excessive mineral deposits, replace with a new "990-13" evaporator pad. Install trough and drain pan. Replace cover and the distributor tube to proper position over the distributor trough.
7. Connect the 1/4" water supply tube to the filter assembly and tighten. Turn on the water supply and check all points for leakage. The operation of the unit may be checked by starting the furnace blower with the manual switch on the fan control or by starting the furnace. The humidifier operates only when the furnace blower is running. The humidifier is now ready for operation.
8. During the summer season, turn off water supply and electrical power to humidifier.