



MODEL 30050 AIR CLEANER  
INSTRUCTION SHEET  
RECOMMENDED FOR ROOMS UP TO 12 FEET BY 12 FEET

YOUR HUNTER AIR CLEANER HAS BEEN DESIGNED TO REMOVE BOTH VISIBLE AND INVISIBLE PARTICLES OF AIR POLLUTION FROM THE AIR WE BREATHE.

The polluted air enters through the large front grille. The polluted air then passes through a pleated mechanical filter to remove the airborne particles. The air then passes through a charcoal filter to remove odors. The cleaned air then reenters the room through the top grille of the air cleaner.

PREPARATION FOR OPERATION:

Remove the unit from the carton and plastic bag and inspect it for possible damage. Remove the large descriptive label that is statically held on the front grille.

OPERATION OF YOUR AIR CLEANER:

**CAUTION:** Please observe the following safety precautions for the use of your air cleaner. Be certain the unit is unplugged from the wall outlet any time you are cleaning the unit or replacing the filters. The unit is equipped with a safety interlock to disconnect all power to the unit during servicing, but the unit should be unplugged for maximum safety.

1. Place the air cleaner on the floor in a place convenient for use. The maximum efficiency can be obtained by standing the unit up in the center of the largest wall in the room. The unit can be against the wall or out a few feet. This will provide the best recirculation of air in and out of the unit. There should not be any objects directly in front of or over the unit, as this will adversely affect the air flow of the unit. The unit may also be laid down on a shelf or wall mounted, but this may affect the efficiency of the unit. See fig 3 for wall mounting installation details.

2. Plug the unit into any 120 volt standard electrical household outlet.

3. Turn the unit on by pressing the rocker switch (on the top right side of the unit) to the "on" position. The light in the switch will come on. You can then select the desired speed by sliding the speed selector switch on the left to the "1", "2", or "3" position. The unit should be operated on high speed initially, so the room can receive its initial cleaning.

**NOTE:** To circulate and clean the air in a room requires some air noise. If "HIGH" speed is too loud for you, run on "MEDIUM" or "LOW" while you are in the room and on "HIGH" when you are out of the room.

CLEANING GRILLE

**NOTE:** Be certain the unit is unplugged from the wall outlet before proceeding to clean the unit.

The grille can be cleaned in a dishwasher or sink. To clean the grille, lay the unit on its back. Grasp the front grille at the recess as shown in Fig 1. Place the thumbs against the top of the housing and the index fingers in the recesses just behind the front grille at the top. Push with the thumbs and pull with the fingers to release the front grille. Tip the grille forward and lift it out of the slots in the base of the unit. The grille can be set in the top rack of a dishwasher with the grille facing downwards. Use the wash cycle only. Wash and make sure the unit is completely dry before replacing in the unit. Replace filter as described below and replace grille. To replace grille, set tabs on bottom of grille into slots on base of unit and push on the top section of the grille until it snaps into place.

To clean the grille assembly in a sink, remove the grille as described above. Spray it with a good household cleaning agent. Place the grille assembly in a large sink or tub and soak in dishwashing liquid for 20 to 30 minutes. Remove and rinse thoroughly. Shake all of the water off of the unit and let dry completely. Repeat process if necessary. Replace the filters as described below and replace grille assembly as described above.

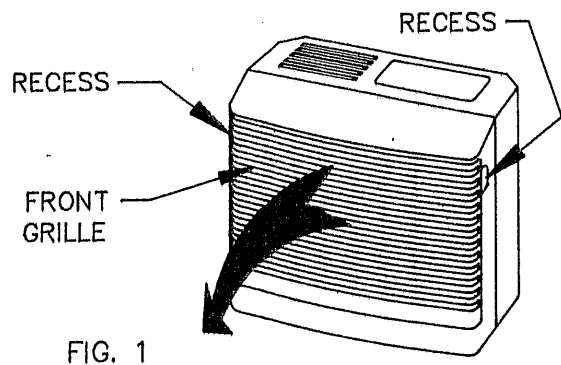


FIG. 1

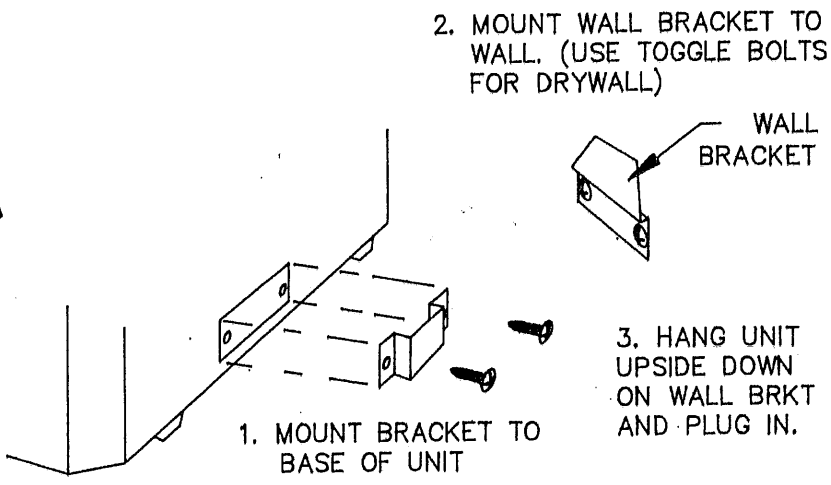


FIG. 2

REPLACEMENT OF FILTERS:

NOTE: Replacement filters are available from the store where you purchased the air cleaner. They also can be purchased directly from Hunter Fan Company. (See enclosed order form). They come in a single pack that includes the white mechanical filter and charcoal filter. The model number for the filter for this unit is:  
HUNTER MODEL NUMBER 30905

NOTE: The filter pack can NOT be washed. The filter guide is located on the lower right, inside the unit, behind the filter pack. Remove the front grille as previously described. With the front grille removed and the unit on its back, remove the filter pack and compare the darkness of the filter to the guide. Use this guide for filter replacement and grille cleaning. Check the filter to the guide after the first 90 days of use and every 30 days thereafter. (Normal replacement cycle is up to 120 days between changes). Clean grille and replace filter, if necessary, using Model 30905 filter pack. Be sure the white side of the filter is facing up prior to replacement of grille. Replace the front grille, stand the unit upright and plug into the wall.

TROUBLE SHOOTING GUIDE:

CONDITION	CHECK	WHAT TO DO
Unit does not turn on	<ol style="list-style-type: none"> <li>1. Power cord</li> <li>2. Selector switch</li> <li>3. Front grille interlock</li> </ol>	<ol style="list-style-type: none"> <li>1. Be certain unit is plugged into wall outlet.</li> <li>2. Press the "on" switch</li> <li>3. Be certain grille is fully in place at top.</li> </ol>
Unit does not clean the air properly	<ol style="list-style-type: none"> <li>1. Filter pack</li> </ol>	<ol style="list-style-type: none"> <li>1. Be certain filter pack is properly in place.</li> <li>2. Replace as necessary as outlined in the instructions.</li> </ol>

If you have checked the above problems and still have trouble, call (901) 745-9222

