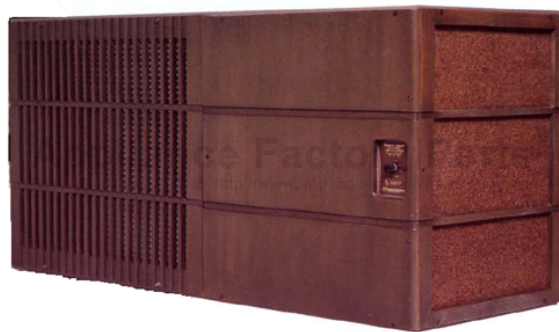


This Owner's Manual is provided and hosted by [Appliance Factory Parts](#).



APRILAIRE 2600 Owner's Manual

[Shop genuine replacement parts for APRILAIRE 2600](#)



[Find Your APRILAIRE Humidifier Parts - Select From 52 Models](#)

----- Manual continues below -----

Safety & Installation Instructions

Please read completely before beginning Installation

WARNING! 1. 120 VOLTS MAY CAUSE SERIOUS INJURY FROM ELECTRICAL SHOCK. DISCONNECT POWER BEFORE SERVICING.

2. ARCING MAY CAUSE SERIOUS INJURY FROM AN EXPLOSION. DO NOT INSTALL UNIT IN AN EXPLOSIVE ATMOSPHERE.

CAUTION! DO NOT OPERATE UNIT WITHOUT FILTER MEDIA IN PLACE. MOTOR OVERLOADING WILL RESULT.

NOTE: This filter media is a special filter material and should be handled very carefully to avoid any damage that will affect its performance.

Aprilair®

THE BEST IN INDOOR AIR COMFORT

MODEL 2600

- | | |
|---------------------------------|--------------------------------|
| ① SAFETY | ④ CONVERTING TO LEFT DISCHARGE |
| ② ASSEMBLY/PARTS IDENTIFICATION | ⑤ OPERATION |
| ③ INSTALLATION | ⑥ MAINTENANCE |

① SAFETY

PLEASE READ AND SAVE THESE INSTRUCTIONS

② ASSEMBLY/PARTS IDENTIFICATION

(Refer to Figure 1)

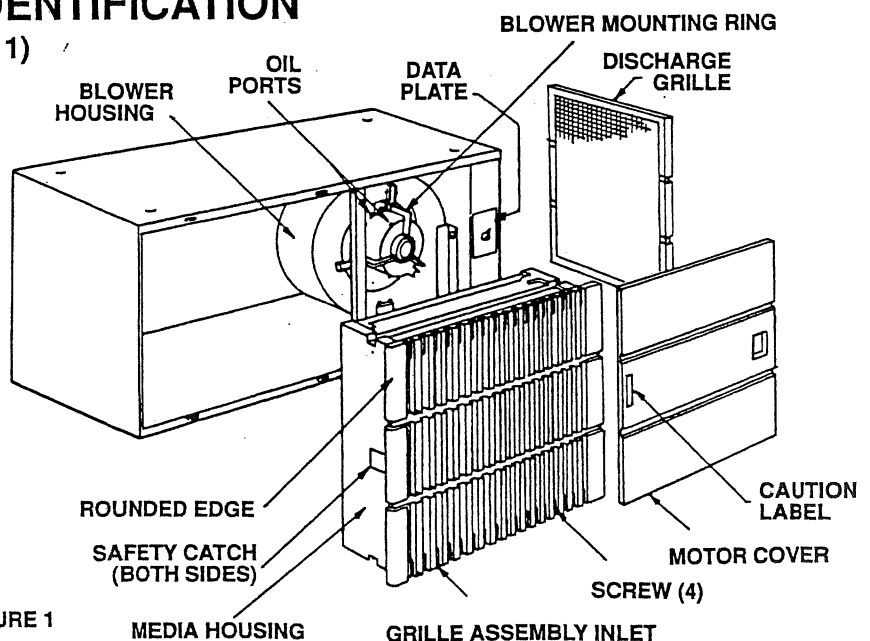
The pleat spacers, holding brackets, Aprilaire media, end panel seals, and media housing are contained in the air cleaner. They must be removed and assembled prior to use.

UNIT SIZE:

23³/₈" High x 16³/₄" Wide x 49³/₈" Long

UNIT WEIGHT:

120 Lbs.,



ASSEMBLY OF APRILAIRE MEDIA IN MEDIA HOUSING

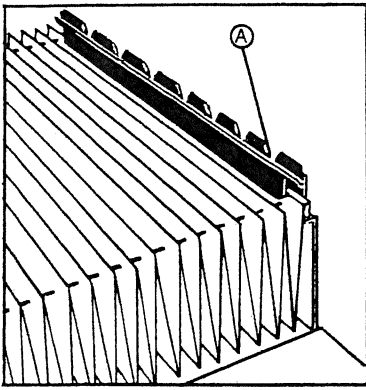


FIGURE 2

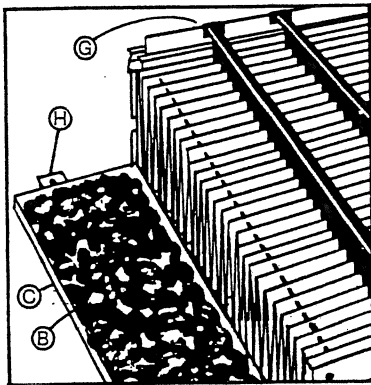


FIGURE 3

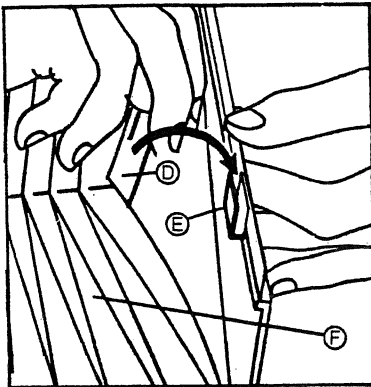


FIGURE 4

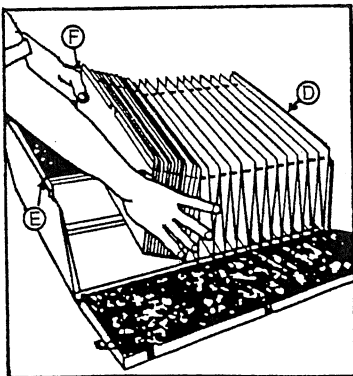


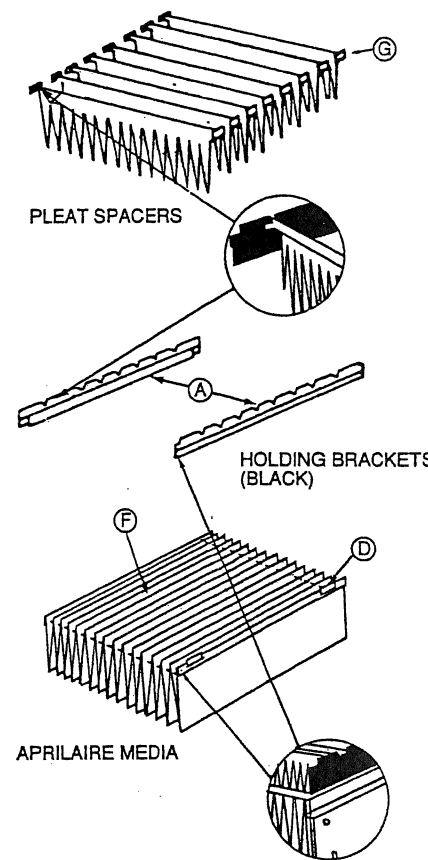
FIGURE 5

1. Loosen four screws on grille assembly (Figure 1).
2. Compress safety catches and pull grille assembly toward you to remove.
NOTE: Media housing remains attached to grille. (See Figure 1.)
3. Remove Aprilaire media and end panel seals from their cartons. Remove eight pleat spacers from cartons.
4. Note the position of the two black holding brackets (A), Figure 2, and remove.
5. Place the two end panel seals (B), Figure 3 in the end panels (C).
6. Place slots in one cardboard flap (D), Figure 4, over the plastic hooks (E) starting at far end of the media housing.
7. Grasp Aprilaire media (F) on both sides (Figure 5) and expand to near end carefully placing slots in the cardboard flap (D) over the plastic hooks (E). Center media in housing.
8. Place holding brackets (A) (Figure 2) over the cardboard flaps of the media and position in the same manner as when removed in Step 4. Center the holding brackets with ends of housing.
9. Carefully install the eight pleat spacers (G) so that each spacer finger separates one media pleat. The ends of the pleat spacers align with notches and snap into slots of holding brackets. (See exploded view.)
10. Close end panels (C). Snap latches (H) in place by grasping latches with fingers and inside corners of holding brackets with thumbs and squeeze.

FINAL ASSEMBLY

Compress safety catches and set grille assembly into unit, making sure rounded edge is toward end of unit. (See Figure 1.) Align fasteners with receptacles and tighten four screws.

EXPLODED VIEW MEDIA HOUSING



APRILAIRE MEDIA

③ INSTALLATION

Location

Motor cover must be away from wall to expose the blower and electrical components for service. The air cleaner performs best when located near the ceiling in the area where smoke is to be removed. Keep away from cooling or heating diffusers and any other drafts that would affect the air delivery pattern from the unit. Do not locate in a corner of the room or otherwise block off airflow to and from the air cleaner. A preferable location is at least 15 ft away from any wall that is at a right angle to the air outlet.

CEILING SUSPENDED MOUNTING SYSTEM

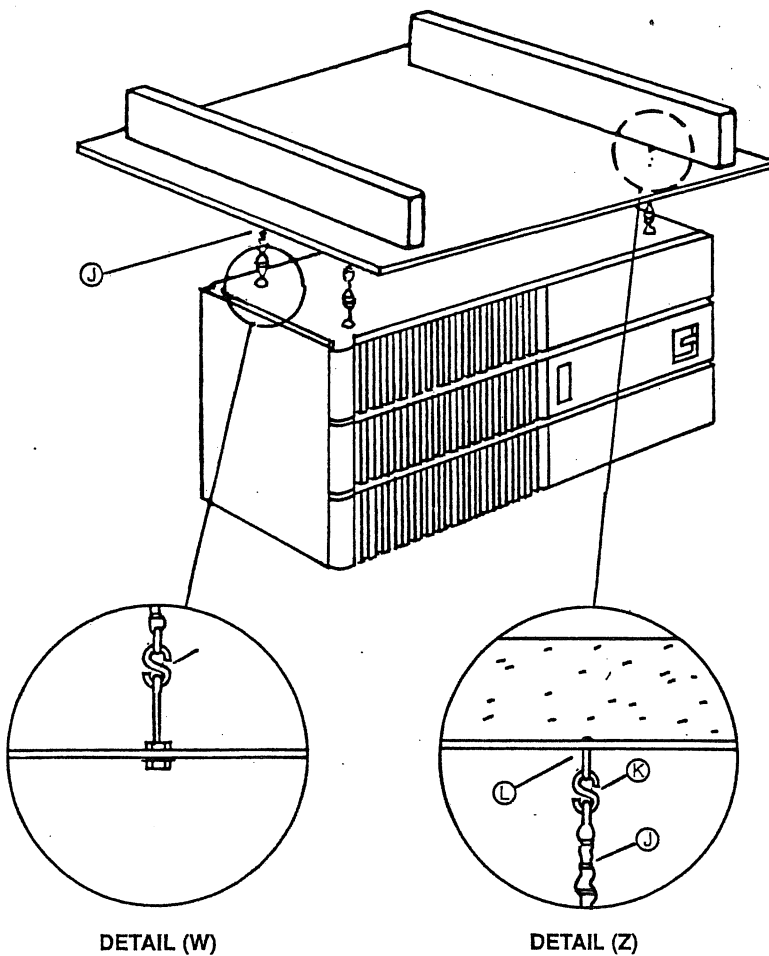


FIGURE 6

Materials Supplied By Installer

- A. Chain — double loop pattern, .106 dia. wire, 155 lb. working load.
- B. Connector Link, 8 required, steel "S" hook, .175 dia. x 1-1/2" long.
- C. Wire Screw Eye, 4 required, .225 dia. x 2-3/16" long, 39/64 eye I.D., 1-1/8" stem length.

Installation Procedure

1. Remove filter assembly and discharge grille from unit.
2. Determine unit orientation and remove four (4) knockouts from top surface.
3. With the nut threaded up the eye bolt (supplied), insert the eye bolt through the knockout hole. Add a washer (supplied) and a second nut (supplied). The eye bolt should not extend more than 1/4" below the second nut.
4. Tighten nut down to lock eye bolt.
5. Locate position for wire screw eyes (L) on ceiling wood structure (not less than a 2" x 4" member).
6. Drill 5/32" dia. pilot hole, screw in eye bolts (see detail "Z").
7. Cut chain (J) to length and hook "S" connectors (K) to screw eyes (L).
8. Install filter media into filter housing.
9. Fasten filter assembly and discharge grille to unit. Use screws removed in step #1.
10. Hook "S" connectors (K) to unit eye bolts, lift unit and fasten "S" hooks to chain.
11. Plug unit into 120 VAC power source, turn switch to desired motor speed.

WALL BRACKET MOUNTING SYSTEM

Materials Supplied By Installer

- A. Two Brackets
- B. Six 1/4" diameter x 2" long (minimum) lag screws.

Contact RPC for bracket design. Request Drawing No. B-2-27-224.

Installation Procedure

1. Locate studs in wall.
2. Determine and mark height for bracket on wall.
3. Using bracket as template, mark mounting screw locations.
4. Drill 5/32" diameter pilot holes. Make sure holes extend into studs.
5. Secure brackets to wall using 1/4" diameter lag screws.
6. Set unit onto brackets.
7. Plug unit into 120 VAC power source and turn switch to desired motor speed.

④ CONVERTING TO LEFT HAND DISCHARGE

Motor Orientation (Refer to Figure 7)

Place unit so air discharge is to the left. Set unit on back. Remove motor access panel by loosening screws. Remove (3) screws from blower housing. Rotate motor/ring counter-clockwise so that oil ports point UP. Secure motor/ring to blower housing with (3) screws.

Data Plate (See Figure 1)

Remove switch knob. Remove (2) screws from data plate and turn over. Data plate is printed on both sides. Attach data plate with (2) screws. Push on switch knob.

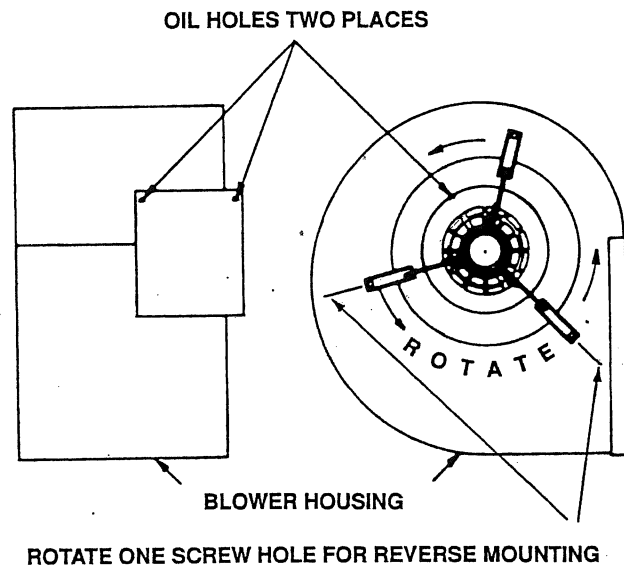


FIGURE 7

⑤ OPERATION

(Do not operate unit without media in place.)

The Model 2600 has a three-speed control switch. The air delivery (setting of speed switch) will primarily be determined by the amount of contaminants in the area. Start operation on high speed. For continuing operation, experience will determine the best blower setting.

⑥ MAINTENANCE

Disconnect Power Before Servicing.

1. A wiring diagram is located on the cover of the electrical box.
2. Oil motor with SAE 20 weight oil.
3. Media replacement. See page 2.



P.O. BOX 1467 • MADISON, WISCONSIN 53701-1467

Call 608-257-8801 • Fax: 608-257-4357

Products For Better Indoor Air Quality™