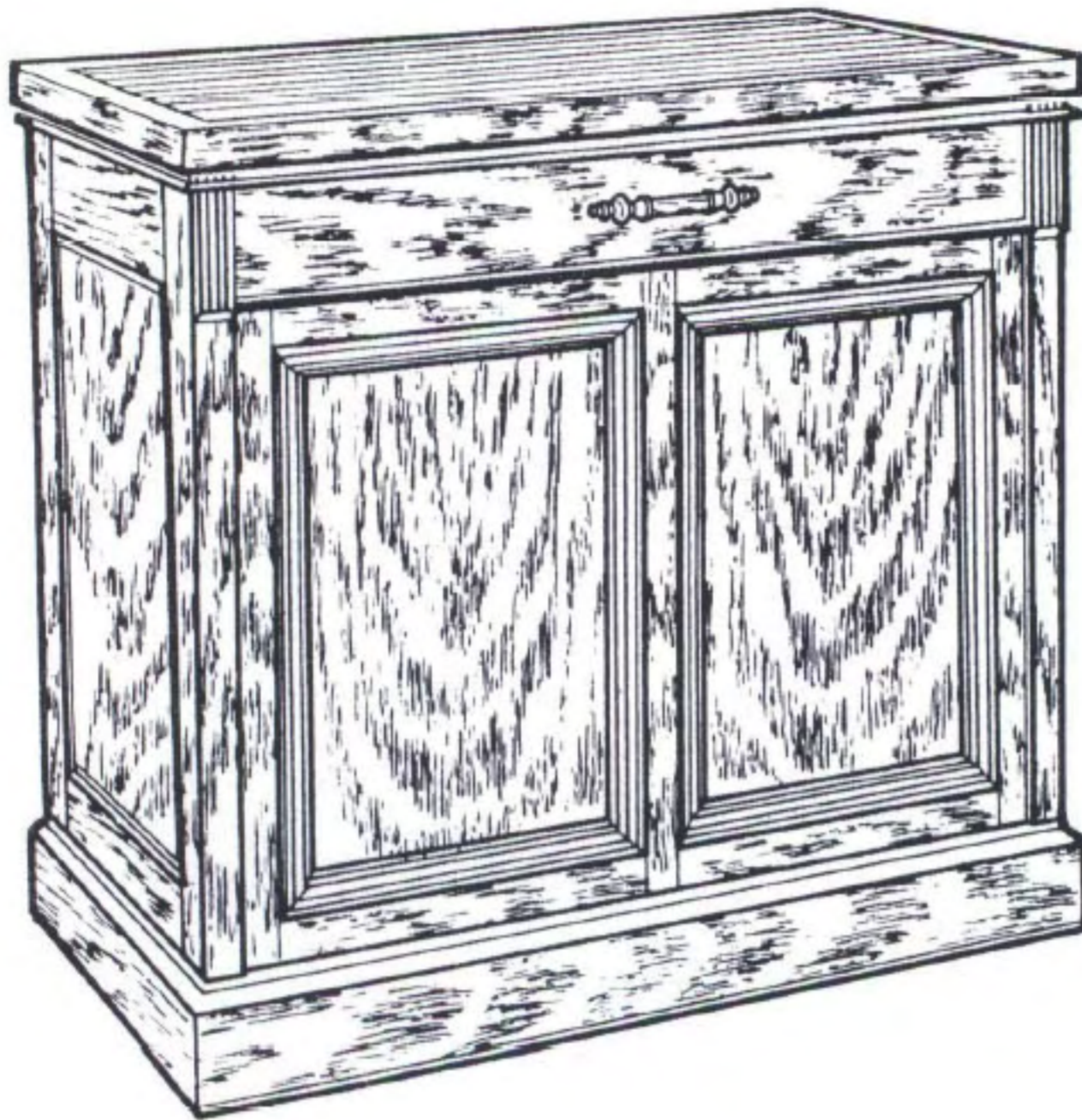


CAUTION: Read all instructions carefully before installation.
Save this Owner's Manual for future reference.



(Model No.
HD14W shown)

Model No.
HD12W 1
(12-gallon/day output)

Model No.
HD13W 0
(13-gallon/day output)

Model No.
HD14W 1
(14-gallon/day output)

EMERSONTM

***MoistAIR* Evaporative Console
Humidifier Owner's Manual**

General Safety Instructions

1. To avoid fire or shock hazard, plug the humidifier into a 120V, A.C. electrical outlet. Use only U.L. listed extension cords as instructed by the cord manufacturer.
2. Keep the cord out of heavy traffic areas. To avoid fire hazard, never put the cord under rugs, near heat registers, radiators, stoves or heaters.
3. Always unplug the humidifier before moving it, removing the lid or motor support section, before cleaning, or whenever the humidifier is not in service.
4. When filling, be careful not to pour water into the control or motor area.
5. Keep humidifier clean.
6. To help keep water clean, do not use the humidifier without the lid in place.
7. Do not put foreign objects inside the humidifier.
8. Never use your humidifier while any part is missing or damaged in any manner.
9. To avoid electrical hazard or damage to the humidifier, do not tilt, jolt or tip the humidifier over while the unit is running.
10. To avoid damage to the humidifier, turn it to OFF when the tank is empty or when the humidifier is not in use.
11. To avoid accidental electrical shock, do not touch the cord or controls with wet hands.
12. Note the warning label shown below and on the humidifier.

WARNING

To avoid injury, fire, or shock, always remove plug from electrical outlet before filling, servicing or cleaning.

TABLE OF CONTENTS

Warranty	2
General Safety Instructions	2
Know Your Humidifier	3
Humidifier Operation	3
Assembly Instructions	3
Location Instructions	3
Electrical Hook-Up	3
Water Fill.....	4
Using the Fill Hose	4
Operating Controls	4
Using Your Humidifier	5
Cleaning of Humidifier Tank	6
Care of Filters	7
Troubleshooting	7
Repair Parts	8

TO SAVE A SERVICE CALL:

CHECK FOLLOWING IF YOUR HUMIDIFIER WILL NOT OPERATE -

1. IS POWER CORD ATTACHED TO OUTLET?
2. IS THERE ELECTRICAL POWER TO OUTLET?
3. IS AIRFLOW CONTROL IN OPERATING POSITION?
4. IS HUMIDITY CONTROL SET HIGH ENOUGH?
5. IS WATER LEVEL IN TANK HIGH ENOUGH TO ACTIVATE FLOAT SWITCH?

LIMITED WARRANTY

All products covered by this Owner's Manual are warranted against defects in workmanship and materials for one year from date of sale, except for motor which is warranted against defects in workmanship and materials for five years. This limited warranty does not apply to damage from accident, misuse, or alteration; nor where the connected voltage is more than 5% above the nameplate voltage; nor to equipment improperly installed or wired or maintained in violation of this Owner's Manual. This limited warranty is valid only in the fifty states of the United States. No other written or oral warranty applies. No employee, agent, dealer or other person is authorized to give any warranties on behalf of Emerson Electric Co.

The customer shall be responsible for all costs incurred in the removal or reinstallation and shipping of the product for repairs. Within the limitations of this limited warranty, inoperative units should be returned, freight prepaid, to the nearest Emerson authorized service center, or the Emerson Electric Co. Service Center, and we will repair or replace, at our option, at no charge to you with return freight paid by Emerson. It is agreed that such repair or replacement is the exclusive remedy available from Emerson Electric Co. and that EMERSON IS NOT RESPONSIBLE FOR DAMAGES OF ANY KIND, INCLUDING INCIDENTAL AND CONSEQUENTIAL DAMAGE. Some states do not allow the exclusion or limitation of incidental or consequential damages, so the above exclusion or limitation may not apply to you.

This limited warranty gives you specific legal rights, and you may also have other rights which vary from state to state.

For the address of your nearest authorized service center, call (901) 642-1120.

ALWAYS USE EMERSON BRAND FILTERS TO ENSURE PROPER PERFORMANCE.

CAUTION

Use Emerson WT-BC EPA Registered Bacteriostat, available at your local store, or call 1-800/932-2700 or 1-800/654-3545 to order. Use of other water treatment products may cause the filter elements to become inefficient and may pose health hazards. Do not use water treatment products designed for Rotor belt, drum type or Ultrasonic humidifiers.

Know Your Humidifier

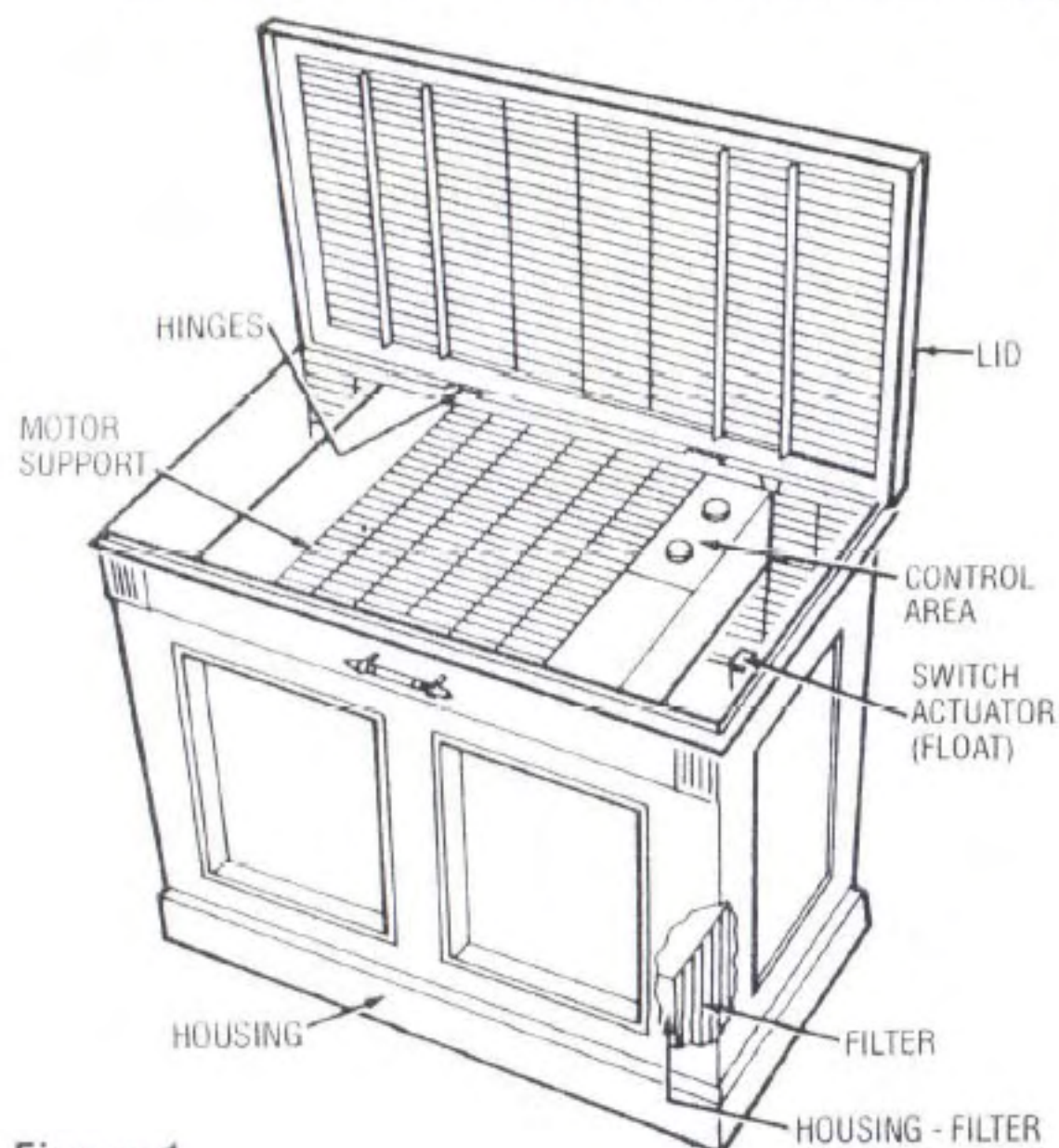


Figure 1

Humidifier Operation

Your new Moistair™ humidifier is designed to satisfy home humidity requirements through the principle of evaporation of water into the air.

After water is added to the tank, the filters begin to soak up the water and become totally saturated in approximately 30 minutes. Air is drawn in from the rear and top of the humidifier by means of a circulation fan and brought through the filters. As air passes through the filters, moisture is absorbed into the air and then released through the top of humidifier (Figure 2). This moist air is released in the form of vapor; no water droplets will enter the home. All evaporation into the air takes place in the humidifier, which means that the residue left by evaporating water is not passed into the home, but remains in the filters.

CAUTION

Use Emerson WT-BC EPA Registered Bacteriostat, available at your local store, or call 1-800/932-2700 or 1-800/654-3545 to order. Use of other water treatment products may cause the filters to become inefficient and may pose health hazards.

Do not use water treatment products designed for Roto belt, drum type or Ultrasonic humidifiers.

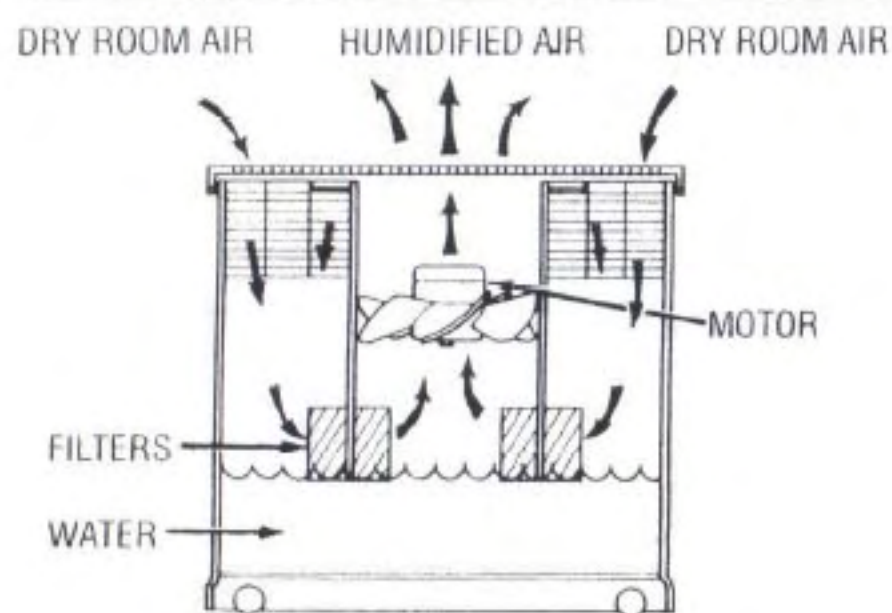


Figure 2

CAUTION

Keep your humidifier clean. While humidifiers do not cause colds, some studies suggest that dirty humidifiers can cause cold-like symptoms in some people. To avoid this, clean your humidifier regularly and use Emerson WT-BC Bacteriostat.

Assembly Instructions

Included with the Model HD13 W and HD14W humidifiers is a decorative handle which must be attached to the top of the front panel. Remove the lid and lift out the motor support assembly as described in steps 3 and 4 in "Care of Filters" section, page 7.

Locate the handle and, using a screwdriver, attach the handle by inserting the screws through the predrilled holes in the cabinet housing.

NOTE: Be sure to remove all packaging, including cardboard filler under fan and motor assembly and rubber band from float.

Location Instructions

WARNING

For your safety, do not use the humidifier if any parts are damaged or missing.

1. Place the humidifier in an area of the house where the most humidity is needed, or one which would likely result in moist air being circulated throughout the house, such as near a cold air return. Moist air (humidity) produced will disperse into the whole house, but area closest to unit will have the highest humidity level.
2. Humidifiers should sit at least two inches away from wall for proper operation. Air needs to enter through the rear and top louvers in order for the humidifier to operate at peak efficiency.

NOTE: Due to release of cool, moist air from humidifier, it is best to direct air away from home's thermostat. It is best to keep humidifier in front of an inside wall. Hot air from air registers and cold air from outside walls can affect the efficiencies of the controls. Unit should not be placed where warm air from a hot air register blows directly on unit.

Electrical Hook-Up

Locate the 120V A.C. wall socket nearest the desired location of the humidifier, preferably on an inside wall. Insert the humidifier plug into the wall socket (Figure 3).

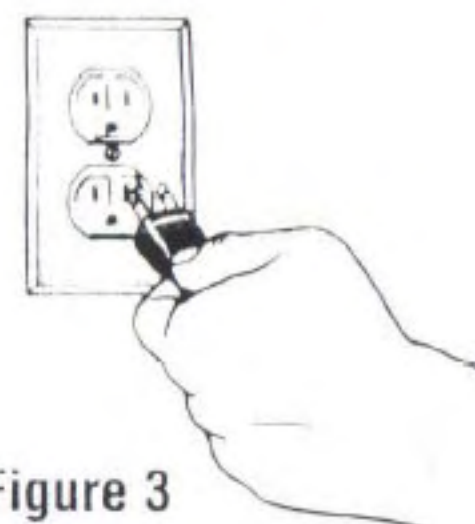


Figure 3

Water Fill

Before Filling Any Humidifier Read the Following Warning:

WARNING

1. To avoid fire or electrical shock hazard, always unplug the humidifier before filling, cleaning, or servicing.
2. Do not pour or spill water into control or motor area. If controls do get wet, have the unit checked by a qualified service technician before plugging it in.

1. Raise the lid.
2. Locate the controls on the right side of the humidifier. (See Figure 4.)

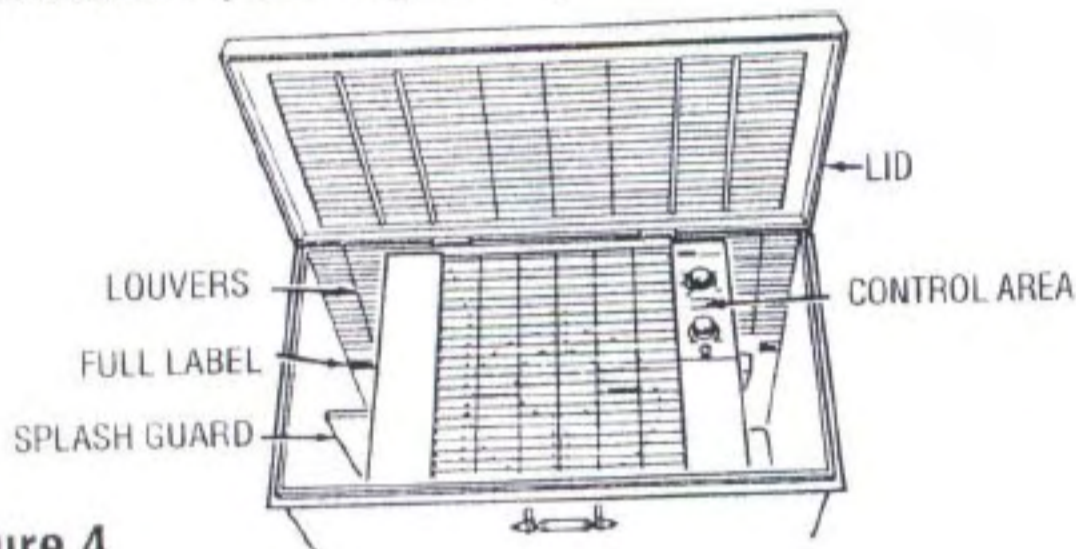


Figure 4

3. Pour water into the humidifier on the left side (opposite side of controls). (See Figure 5.)

NOTE: On the left side will be a plastic panel located in the middle of the filter box. This is a splash guard to keep the water from splashing out the rear louvers. Pour the water in front of this guard slowly to minimize any water getting outside of unit.

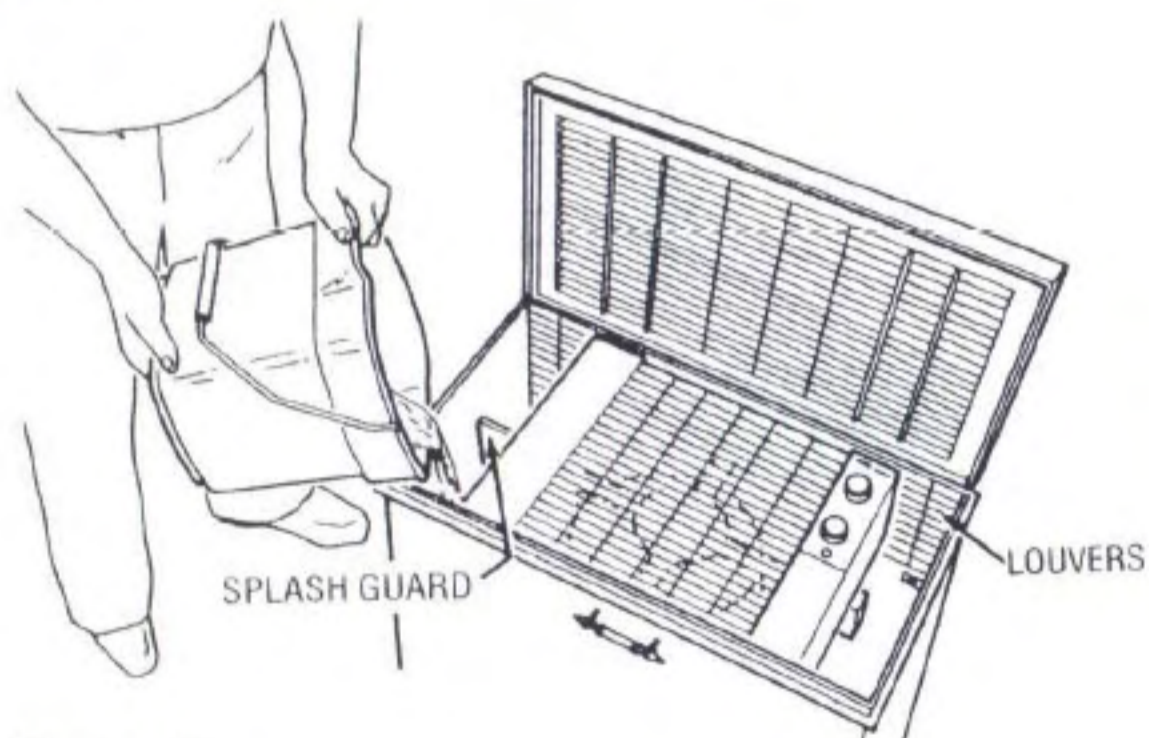


Figure 5

IMPORTANT

Be sure water does not go above FULL mark or water may run out the rear louvers.

4. Using a bucket or a fill hose, fill the tank with water up to FULL indicator label located inside the housing (See Figure 4). A water level gauge, visible through the fan guard, will indicate "EMPTY, 1/4", 1/2", 3/4", or FULL" condition (Figure 6). The top of the filter holder indicates the water level.

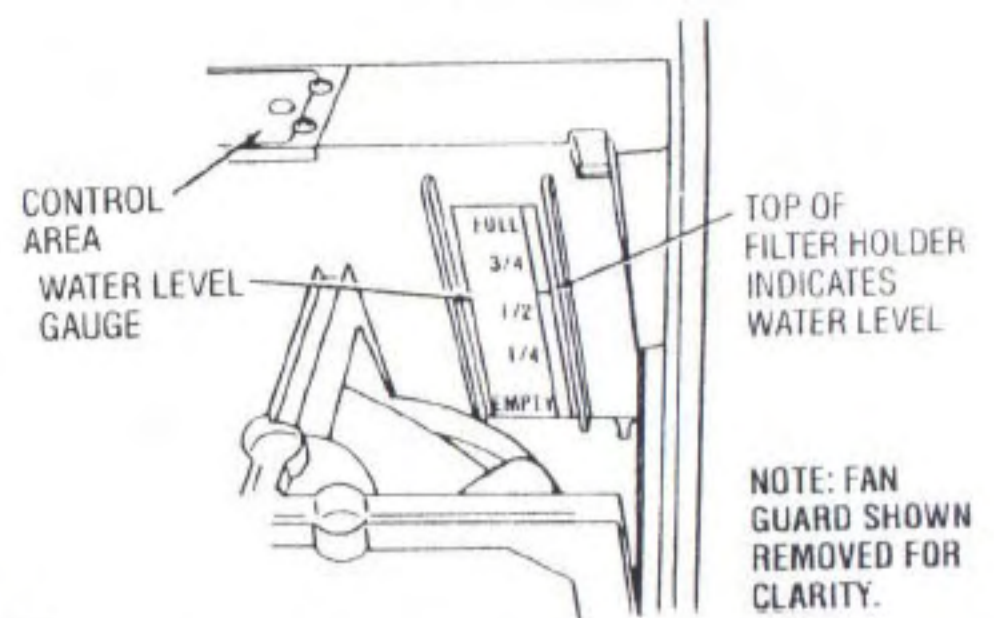


Figure 6

Using the Fill Hose (Supplied with HD14W)

1. Unplug the humidifier and roll it, if necessary, within reach of the fill hose.
2. Secure the end of the hose in the left side of the humidifier, near the bottom of the cabinet.
3. Fold back the hose faucet connection until it fits the spout of the faucet (Figure 7). Connect the hose to the faucet.

NOTE: The faucet connection end of the hose will fit most kitchen and bathroom type faucets. By doubling back on itself it can be made to fit small faucets. However, some faucets do not have enough spout length to accept the faucet connection.

IMPORTANT

Be sure water does not go above FULL mark or water may run out the rear louvers. Do not turn water pressure very high.

4. With the hose secured inside the humidifier, turn faucet on low pressure and fill with water to the FULL mark located in the humidifier.

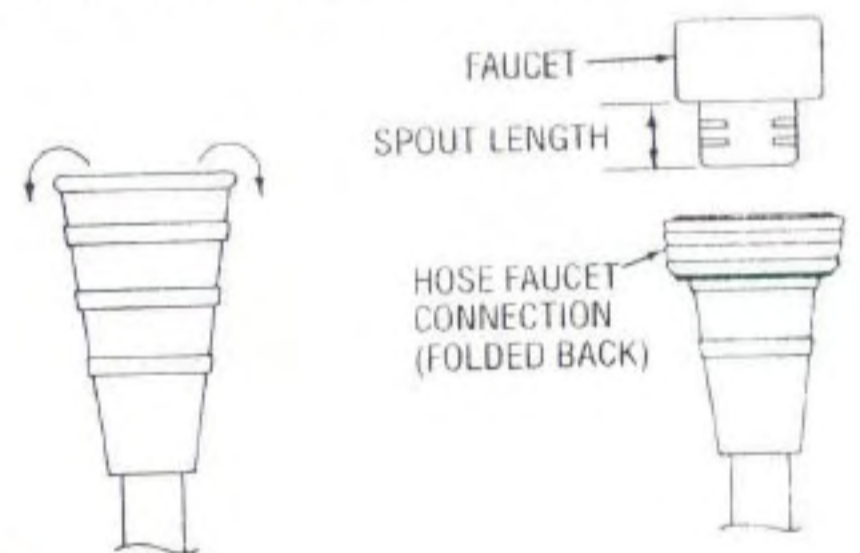
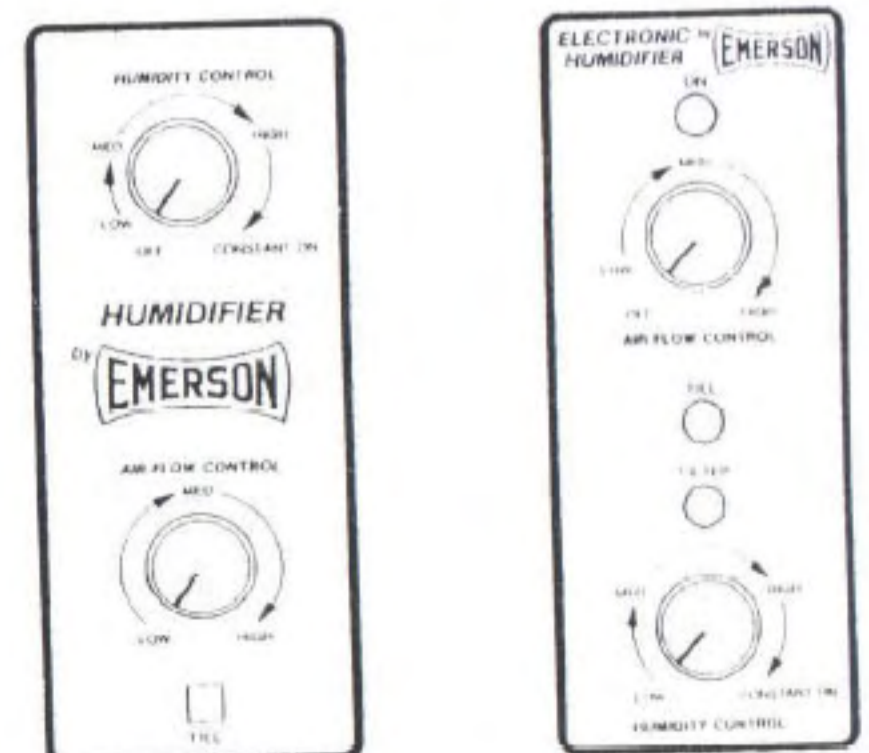


Figure 7

Operating Controls



4 Figure 8

HD12W/HD13W

HD14W

Humidity Control:

This control adjusts the amount of humidity depending on user's needs. Humidifier will turn on and off as required to maintain level of humidity you select. (See Figure 8 and 9.) **MEDIUM** Setting is recommended, but there are times when a low or high amount of humidity may be preferred. For constant operation of humidifier, **CONSTANT ON** allows for the maximum amount of humidity to be evaporated into the air continuously.

IMPORTANT

Water damage may result if condensation starts to form on windows or walls. Humidity Control setting should be lowered until condensation no longer forms.

Air Flow Control:

The higher the air flow speed, the faster humidified air is released into the air. **LOW** and **MEDIUM** speeds are the quietest and are provided for conditions that may not require as high an evaporation rate. (See Figure 8.)

FILL Light:

When unit has a small amount of water left in it the red fill light will come on.

NOTE: On Models HD12W and HD13W, the unit will shut off when the red fill light comes on. On Model HD14W, the unit will continue to run until cabinet and filters are almost completely dry. The red FILL light and green ON light will remain on and the unit will shut off when this condition occurs.

ON Light (HD14W only):

The green **ON** light will come on when unit is plugged in and the Air Flow Control is turned on.

FILTER Light (HD14W only):

When filters are not allowing unit to humidify properly, the orange filter light will come on. New filters can be bought at your local store. Filter life can be extended by rinsing filter thoroughly and reusing.

Blinking FILL and FILTER Lights (HD14W only):

When conditions cause both the red fill light and the orange filter light to come on at the same time, they will blink alternately.

NOTE: As the filters are used more and more, some conditions other than poor filter efficiency may also cause filter light to turn on. Be sure to check for the following conditions before replacing the filters.

FILTER LIGHT CONDITIONS

Probable Cause	Remedy
<ul style="list-style-type: none"> Filters have not absorbed enough water (initial start up only). Sudden change in room temperature or humidity. Filter holder is stuck. 	<ul style="list-style-type: none"> Turn off and wait 15 minutes and restart. Turn unit OFF and restart. Remove filter holder and install on filter tracks. (Page 7, Figure 13).
<ul style="list-style-type: none"> Filter is dirty. 	<ul style="list-style-type: none"> Clean or replace filter.

Using Your Humidifier

1. Be sure the unit is plugged in and full of water. (Check the water level gauge, Figure 6.)
2. Set the Air Flow Control to **MEDIUM** position (See Figure 8.)
3. Set the Humidity Control to **MEDIUM** position. (See Figure 8.)

NOTE: Humidifier should operate on the recommended MEDIUM setting. If it does not, the humidity is at a relatively high level. To test the unit under this condition, turn Humidity Control all the way to CONSTANT ON and unit should begin to operate. After unit has been tested, set Humidity Control to MEDIUM, or desired level.

Allow 24-hours for the humidifier to adjust.

If the humidity level in your home is sufficient, the humidifier will only operate with Humidity Control set on **HIGH** or **CONSTANT ON**.

IMPORTANT

Water damage may result if condensation starts to form on windows or walls. Humidity Control setting should be lowered until condensation no longer forms.

4. If the humidifier stops running, the humidity level is at the normal requirements for the setting or it is adjusted to the home conditions.

Figure 9 shows the approximate relative humidity percentages which correspond to the various settings of the Humidity Control.

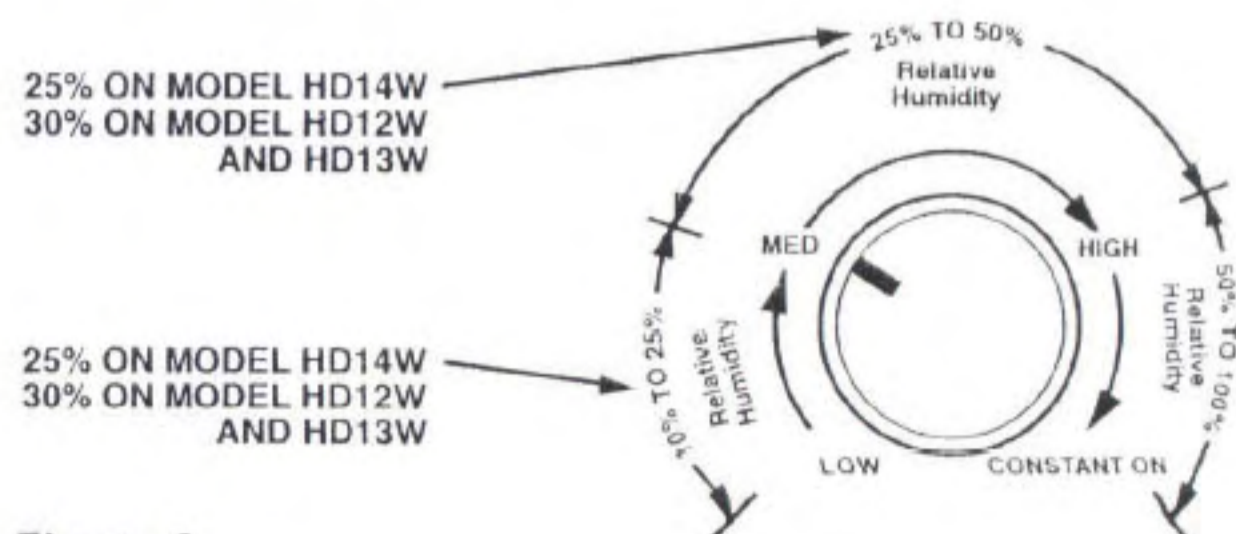


Figure 9

When Outdoor Temperature Is:	Recommended Indoor Relative Humidity Is:
-10°F	20%
0°F	25%
10°F	30%
20°F & above	35%

Cleaning of Humidifier Tank

WARNING

To avoid toxic injury, fire or damage to humidifier, use only cleaners specially recommended for humidifiers. Never use flammable, combustible or poisonous materials to clean your humidifier. To avoid scalds and damage to humidifier, never put hot water in humidifier.

CAUTION

Local water purity varies from area to area and under certain conditions water impurities and airborne bacteria may promote the growth of microorganisms in the reservoir of a humidifier.

To retard bacteria growth that may cause odors and be harmful to your health, use only Emerson recommended filters. We also recommend using Emerson WT-BC EPA Approved Bacteriostat. Clean your humidifier regularly.

To make cleaning easier, the tanks should be completely dried out. Proceed as follows:

1. MANUAL DRY OUT (HD12W, HD13W and HD14W):

- Loop the switch actuator ring around the plastic hook located directly above the switch actuator (Figure 10).
- Set the Humidity Control to CONSTANT ON, and the Air Flow Control to HIGH. Run until tank is dry.

NOTE: With the switch actuator ring in place the unit will continue to run until the ring is released. Depending upon humidity levels, you may want to let your unit run six to eight hours.

- When unit is dry, release switch actuator ring (Figure 10) and shut the unit off.

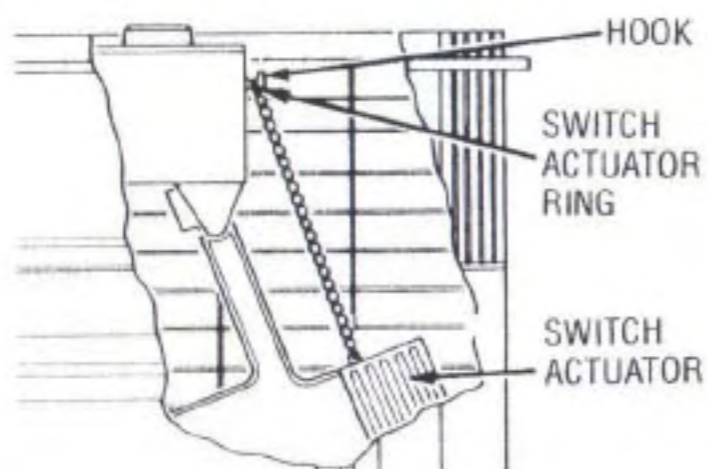


Figure 10

2. Unplug the humidifier, and proceed to clean.

3. AUTOMATIC DRY OUT (HD14W only):

- After the FILL light comes on, the unit will continue to operate until filters and housing are almost completely dried out, then the unit will automatically turn off. This allows for easy cleanup and changing of the filters at this time.
- Periodically check the humidifier, and when you find the humidifier is dry, turn the Air Flow Control to OFF.

NOTE: After the red FILL light comes on, your unit will continue to cycle and operate normally for several hours until the electronic sensor determines that the unit is dry. If room temperature is low (below about 68°F) or humidity is high (above about 60%) the unit will require a longer time to dry out.

4. Unplug the humidifier, and proceed to clean.

For bacteriostat, replacement filters or repair parts call: 1-800/654-3545 or 1-800/932-2700

WARNING

If humidifier is not unplugged, fan could start after motor support is removed.

5. Remove the lid completely from the unit by closing and lifting up from hinge holders (Figure 11).

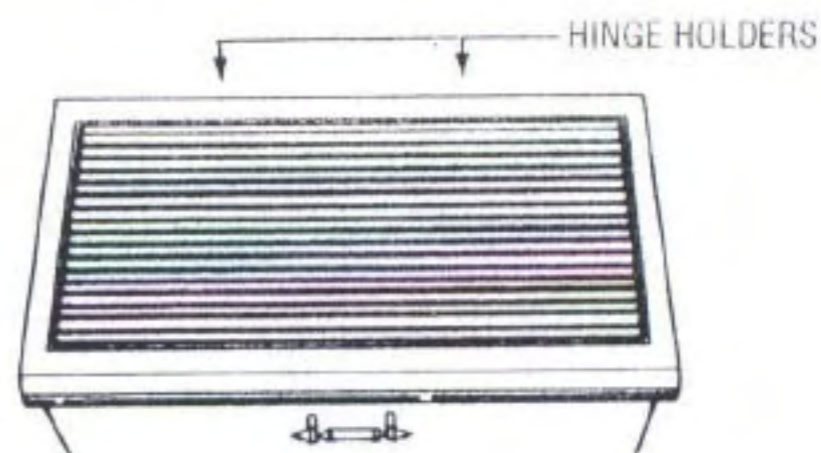


Figure 11

6. Carefully lift out the motor support section (Figure 12) and wipe off any mineral deposits with a clean cloth.

IMPORTANT

The switch actuator (float) is a fragile part. Set the motor support section down carefully to be sure the switch actuator does not become damaged.

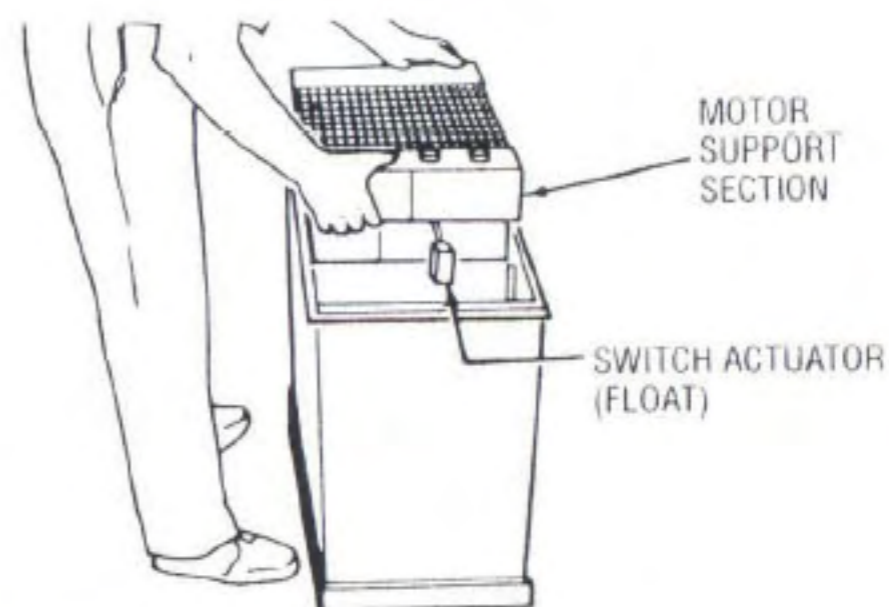


Figure 12

7. Before removing the filters, we recommend moving the humidifier to an area where floor coverings are not susceptible to water damage, i.e. Kitchen or Bath areas.

Slide up the filter holders and remove (either discard or store for further use) the filters located inside by gently pushing out from either side (Figure 13). Wash off mineral deposits on filter holder and wipe with a clean cloth.

Remove mineral deposits from inside tank and floats by wiping with clean cloth.

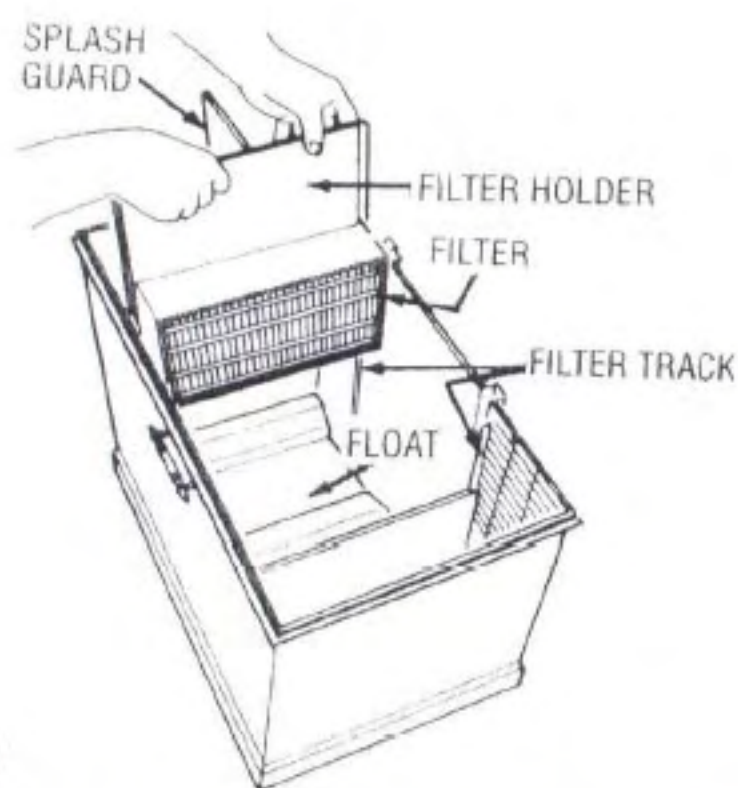


Figure 13

Care of Filters

WARNING

To avoid electrical shock, always unplug humidifier before removing or replacing any parts.

1. Unplug the electrical cord.

CAUTION

To help retard bacteria growth and maintain maximum efficiency, the filters should be replaced at least once a season, or more often under hard water conditions. Use Emerson HDC-1 Replacement Filters.

Dry out the unit completely before changing filter.
(See Cleaning of Humidifier Tank.)

2. Before removing the filters, we recommend moving the humidifier to an area where floor coverings are not susceptible to water damage, i.e. Kitchen or Bath areas.
3. Remove the lid completely from the unit by closing and lifting up from the hinge holders. (Figure 11.)

4. With one hand on each side of the motor support section (Figure 12), lift straight up and set gently on the floor in an upright position.

WARNING

Be sure the humidifier is unplugged or the fan may come on after the motor support section is removed from the tank.

5. Each filter is enclosed in a filter holder. Lift out the entire holder (Figure 13) to gain access to the filter.
 - A. To replace filter, remove used one from plastic holder by gently pushing from the side. Insert a new filter in the filter housing.
 - B. To clean filter, lift out filter holder, leaving dirty filter in the holder. You can either dry out filter or leave wet. Place filter and holder under cold tap water on medium pressure and rinse. Not all of the dissolved solids will wash off of filter, but this procedure will restore filter to a more efficient condition. Another way to clean filter is to completely submerge filter in a bucket or sink full of clean cool water and dip repeatedly.
6. Replace the filter (in holder) in the humidifier tank by lining up rear slot on filter holder frame with track on tank. Tilt holder toward rear and lower unit front tab lines up with front slot on filter holder (See Figure 13).
7. The filter holders sit on floats located at the bottom of the tank.
8. Pick up the motor support section and, while standing over the tank, locate the tabs that the support section sits on. Be sure the electrical cord is lined up with the rear opening, and gently slide the motor support section down into the tank.
9. Replace the lid and follow the filling and operating instructions.

Troubleshooting

	Trouble	Probable Cause	Remedy
All Models	1. Unit will not run, or won't shut off.	<ul style="list-style-type: none"> • Switch actuator (float) not free to work properly. 	<ul style="list-style-type: none"> • Removing rubber band or unhook ring. (Figure 10).
	2. Water runs out of the rear of unit.	<ul style="list-style-type: none"> • Poured water too fast. • Splash guard not in place or missing. • Too much water. 	<ul style="list-style-type: none"> • Pour water slower in front of splash guard located in middle of filter box. • Insert splash guard on top of filter box. • Check FULL label in tank. Do not overfill.
	3. Unit will not dry out completely.	<ul style="list-style-type: none"> • Switch actuator ring is not in place. • High humidity or low temperature resulting in slow evaporation. 	<ul style="list-style-type: none"> • Connect switch actuator ring. See instructions (Page 6, Figure 10). • Allow unit to continue running until reservoir becomes dry.
	4. Unit will not cycle (Turn off) when out of water.	<ul style="list-style-type: none"> • Float is hung up, or holders are not on the filter tracks. • Unit will continue to run for a time after FILL light comes on. 	<ul style="list-style-type: none"> • Check float (Page 6, Figure 10). • Remove filter holder, install on filter tracks (Page 7, Figure 13). • Allow unit to continue running in dry out cycle if dry out is desired.
Model HD14W only	5. Unit is not running but ON light is lit.	<ul style="list-style-type: none"> • Room humidity is greater than the humidity control setting. 	<ul style="list-style-type: none"> • Disregard for a period of time and recheck or set humidistat higher (See Pages 5 & 6).
	6. FILTER light is on.	<ul style="list-style-type: none"> • Filters have not absorbed enough water (initial start up only). • Sudden change in room temperature or humidity. • Filter holder is stuck. • Filter is dirty. 	<ul style="list-style-type: none"> • Wait 15 minutes and restart. • Turn unit OFF and restart • Remove filter holder and install on filter tracks (Page 7, Figure 13). • Clean or replace filter.
	7. FILTER light and FILL light are alternately flashing on and off.	<ul style="list-style-type: none"> • Humidifier needs water and filter may need to be cleaned or replaced. • Humidity level in your home has increased suddenly. 	<ul style="list-style-type: none"> • Turn unit OFF and fill with water. Restart for continued operation. • If FILTER light remains on refer to remedy in section No. 5 above.
	8. Filters do not float.	<ul style="list-style-type: none"> • Float may have leak. • Cardboard packing piece between motor support and filter holders. 	<ul style="list-style-type: none"> • Check float for leak, replace if necessary. • Remove cardboard.

Repair Parts

Always order by Part Number - not by Key No.

ALWAYS USE EMERSON
BRAND FILTERS TO
ENSURE PROPER
PERFORMANCE.

Key No.	Description	Model No.		
		HD14W 1	HD13W 0	HD12W 1
1	Guard, Fan	817241	817241	817241
2	•Screw, Pan Head, Type "AB" 8 x 5/8"	29433	29433	29433
3	Control Assembly Includes Key #26 & 27	819213	819212	819212
4	Switch Actuator Ring (Tie Wire)	817878	817878	817878
5	Gasket, Airseal	817237	—	817237
6	Lid	817186-1	817186-1	817452
7	Handle w/Screws	818036	818036	—
8	Housing, Finished	817191-3	817191-2	817191-2
9	Caster, Wheel	13832	13832	13832
10	Screw, Pan Head, Type "T" 10-32 x 1/2"	13848	13848	13848
11	Hose and Connection	23838	—	—
12	‡Float, Filter	817195	817195	817195
13	Filter, Evaporation	HDC-1	HDC-1	HDC-1
14	Guard, Splash	817769	817769	817769
15	Housing, Filter	817196	817196	817196
16	Nut, Push, 5/16	803144-2	803144-2	803144-2
17	Clamp	816133	816133	816133
18	•Blade, Fan	V30187	V30187	V30187
19	Motor	818087-1	818087-1	818087-1
20	Washer, 13/64 x 3/4 x 1-1/16	805549-13	805549-13	805549-13
21	Grommet	817966	817966	817966
22	Housing, Motor	817197	817197	817197
23	Spacer	817964	817964	817964
24	Grommet	V27217	V27217	V27217
25	Nut, Lock 8-32	161255-9	161255-9	161255-9
26	Knob	817235	817235-1	817235-1
27	Knob	817235	817235	817235
—	Actuator, Cap	—	—	—
28	Actuator, Switch	817242	817380	817380
29	Label Nameplate	819282	819287	819287
30	Gasket, Airseal	820016	—	—
—	Owner's Manual (Not Illustrated)	SP5378	SP5378	SP5378

• Any attempt to repair this control assembly or motor may create a HAZARD unless repair is done by a qualified service technician. This assembly is factory aligned.

‡ Stock item.

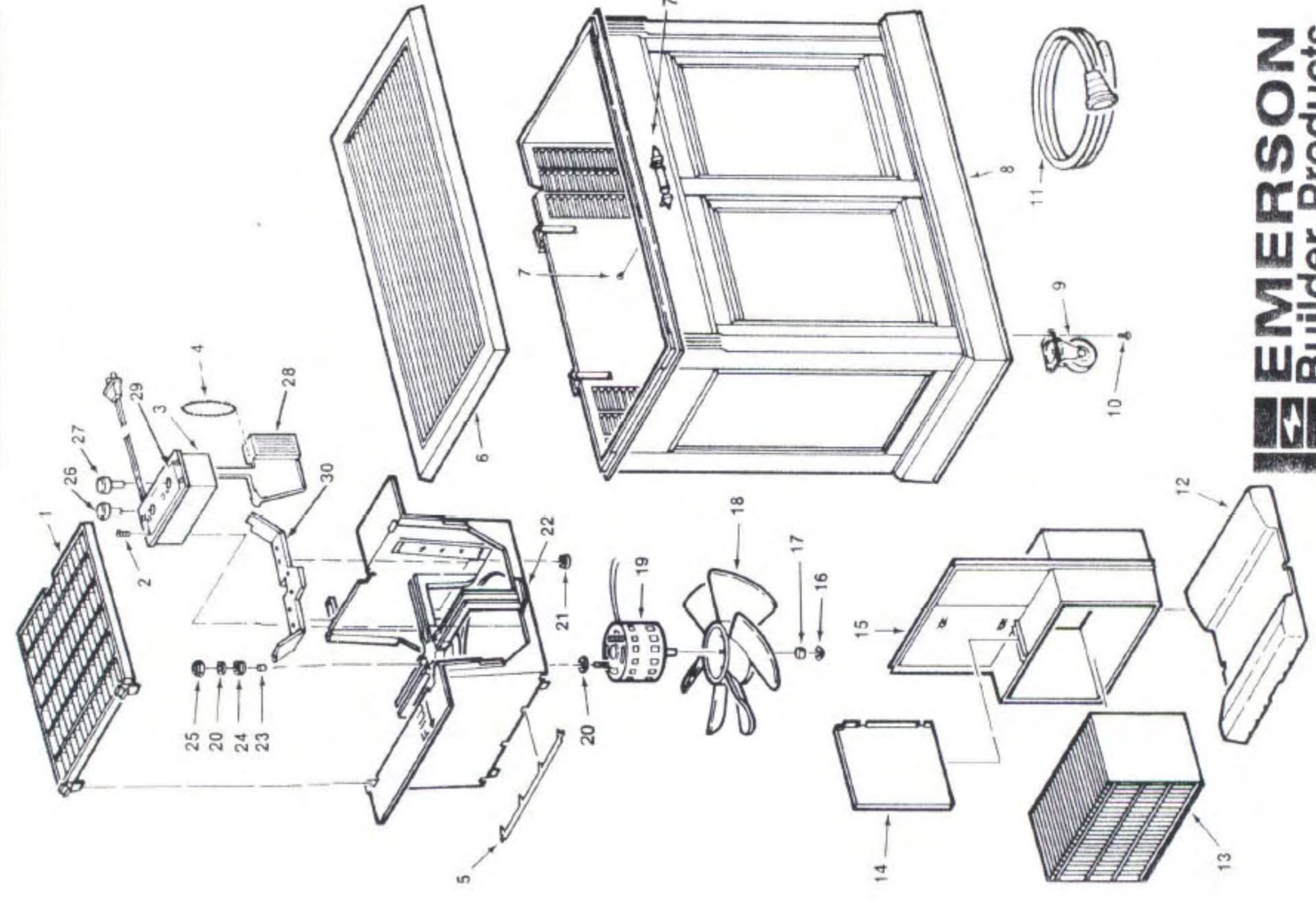
WHEN ORDERING REPAIR PARTS, ALWAYS GIVE THE FOLLOWING INFORMATION:

1. NAME OF ITEM
2. MODEL NUMBER
3. THE PART NUMBER
4. THE PART DESCRIPTION

FOR LOCATION OF NEAREST PARTS SUPPLIER PHONE (901) 642-1120 AND ASK FOR SERVICE.

FOR REPAIR PARTS OR ACCESSORIES CALL:

1-800/654-3545, or 1-800/932-2700



EMERSON
Builder Products
DIVISION OF EMERSON ELECTRIC CO.
8400 Pershall Rd., Hazelwood, MO 63042