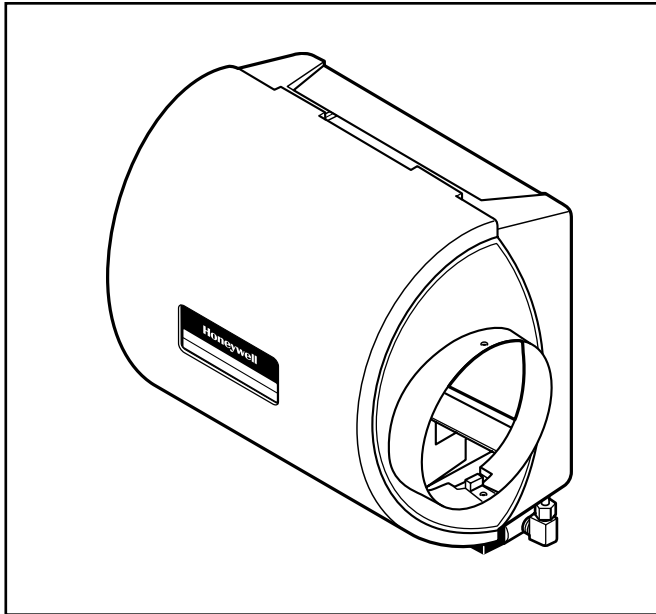


HE260A,B By-Pass Flow-Through Humidifier

SPECIFICATION DATA



FEATURES/BENEFITS

- Capable of humidifying a large area up to 4,000 sq ft (372 sq m).
- Proven technology used for high performance humidification and enhanced comfort.
- Preamsembled for quicker installation.
- Small footprint, light weight and reversible components allow for easy mounting on either warm air supply or cold air return of any forced air furnace.
- Interior components designed for quick maintenance and service.
- Includes easy-to-use humidistat that mounts on the wall or duct for more installation flexibility.
- Perfect Climate Comfort Center™ Control can be installed to replace both the thermostat and humidistat for improved aesthetics and convenience.
- Continuous flushing reduces the frequency of maintenance.

SPECIFICATIONS

Capacity:

At 120°F (49°C) plenum temperature and 0.20 static pressure drop across supply and return:
17 gallons per day (gpd) or 65 liters per day (lpd).

Humidified Area:

House Description	Air Changes Per Hour	Area (Up To)	
		sq ft	sq m
Loose	Two	1,000	93
Average	One	2,000	186
Tight	One-half	4,000	372

APPLICATION

The HE260A,B By-Pass Flow-Through Humidifier uses the warm air furnace blower to provide humidification for the whole house. The HE260A,B works with virtually any Honeywell humidity control, but the Honeywell Perfect Climate Comfort Center™ Control allows optimal performance.



Electrical:

24 Vac, 60 Hz, 0.5A.

Humidifier Pad Dimensions (Height x Width x Depth):

13 in. x 10 in. x 1 1/2 in. (330 x 254 mm x 38 mm).

Plenum Opening Dimensions (Height x Width):

12 5/8 in. x 9 3/4 in. (321 mm x 248 mm).

Summer Shut-off Damper Dimensions (Height x Width):

12 3/8 in. x 9 5/16 in. (314 mm x 236 mm).

By-Pass Duct Opening (Diameter):

6 in. (152 mm).

Drain Connection:

1/2 in. (13 mm) ID plastic hose connected directly to drain fitting on unit.

Dimensions:

Refer to Fig. 1.

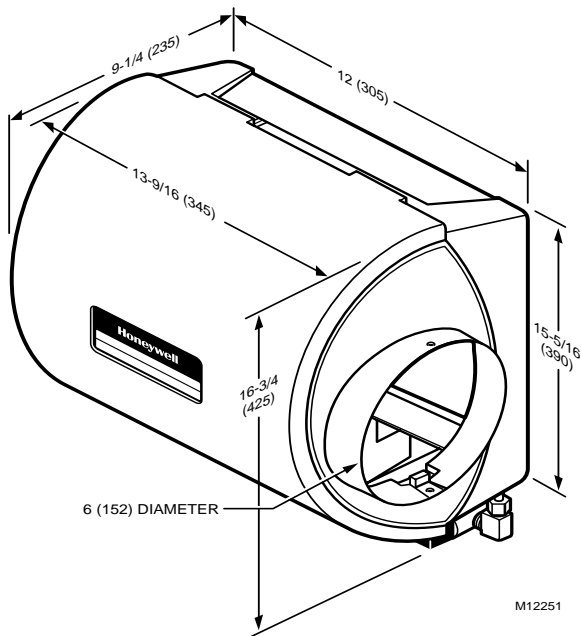


Fig. 1. Dimensions of HE260 in. in (mm).

Approvals:

Underwriters Laboratories, Inc. Listing: 56BL.
Canadian Underwriters Laboratories Listing: 56BL.

Testing Standard:

Air-Conditioning and Refrigeration Institute: Standard 610.

Package Includes:

HE260A TRADELINE® By-Pass Flow-Through Humidifier package includes humidifier pad, mounting template, self-piercing saddle valve, 24 Vac transformer and H908 Convertible Humidity Control.

HE260B TRADELINE® By-Pass Flow-Through Humidifier package includes humidifier pad, mounting template, self-piercing saddle valve, 24 Vac transformer and H1008 Automatic Humidity Control with HumidiCalc+™ Software.

Accessory:

PC8900 Perfect Climate Comfort Center™ Control.

INSTALLATION

Refer to Fig. 2 for a typical installation.

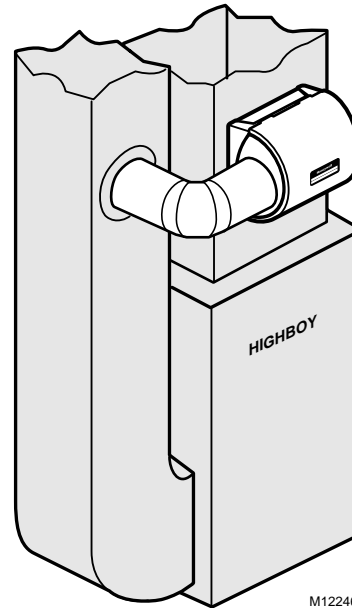


Fig. 2. Typical installation of HE260 Humidifier.

Home and Building Control

Honeywell Inc.
Honeywell Plaza
P.O. Box 524
Minneapolis MN 55408-0524

Honeywell Latin American Division

Miami Lakes Headquarters
14505 Commerce Way Suite 500
Miami Lakes FL 33016

Home and Building Control

Honeywell Limited-Honeywell Limitée
155 Gordon Baker Road
North York, Ontario
M2H 3N7

Honeywell Europe S.A.

3 Avenue du Bourget
1140 Brussels
Belgium

Honeywell Asia Pacific Inc.

Room 3213-3225
Sun Hung Kai Centre
No. 30 Harbour Road
Wanchai
Hong Kong

Honeywell

