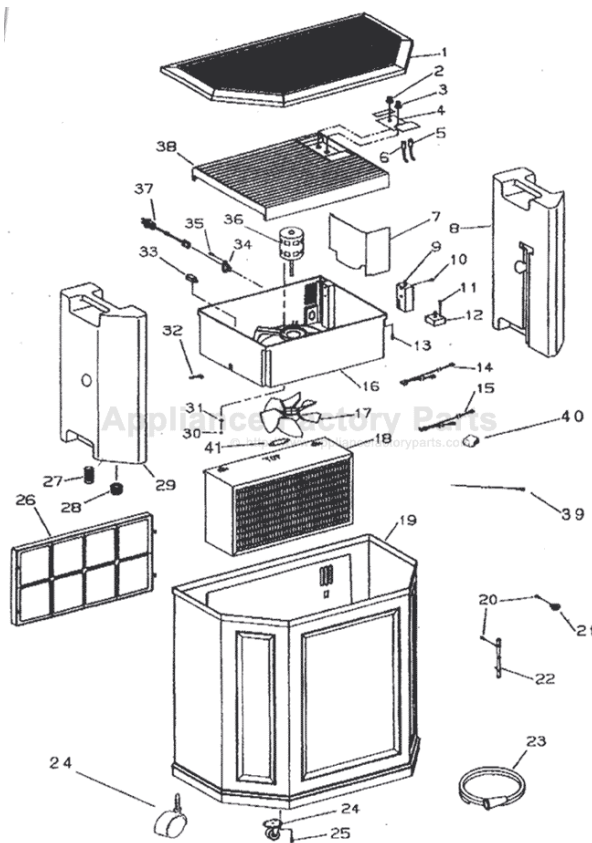


This Owner's Manual is provided and hosted by Appliance Factory Parts.



BEMIS 696400 Owner's Manual

[Shop genuine replacement parts for BEMIS 696400](#)



[Find Your BEMIS Humidifier Parts - Select From 274 Models](#)

----- Manual continues below part list -----

Available Replacement Parts for BEMIS 696400

1B5060000	BOTTLE CAP 1-3/8 DIAMETER
1B5060160	WATER BOTTLE RIGHT SIDE
1B5060170	WATER BOTTLE LEFT SIDE
1B5060350	FAN BLADE 10 WITH** D** SHAFT
1B5460100	CASTER SET OF 4 FOR BEMIS
1B5460630	clip for fan blade, Each
1B5460980	SPRING FOR BOTTLE CAP
1B5560290	MICROSWITCH FOR BEMIS
1B5560620	SWITH AIR FLOW FOR BEMIS
7V1041	FILTER
7V1051	CARBON AIR FILTER 10 1/2X
1B5060140	FILL HOSE ASSEMBLY
1B5461380	NUT
1B5462000	SCREW
1B5060830	KNOB, HUMIDISTAT
1B72595-R	Chassis w/ refill switch READ ADD INFO
1B5560310	PLUG RECEPTACLE
CB41-3	FRAMED WICK FILTER 9 3/4X
4V3842120VAN	TOP FRAME
7V696400HB	CREDENZA BEMIS HUMIDIFIER
1B72086	motor** Read Ext description***



ESSICK AIR PRODUCTS



2010
HUMIDIFIER CATALOG

Why Humidify?

During winter, indoor air is dryer than at other times of the year. Furnaces may warm the air, but as the heated air expands, the limited moisture is spread even more thinly, causing the air to suck the moisture out of everything it comes in contact with: walls, furniture, plants, pets and even your skin.

In the summer we are used to hearing about the "heat index" as a means of taking the humidity level into account on a hot day. In the winter, the converse is true: the arid nature of heated indoor air makes it seem cooler than otherwise because the dry air rapidly evaporates body moisture. That's where humidifiers come in.

Since humidifiers increase the moisture level in the air, the "heat index" in your home is raised, allowing you to comfortably reduce the thermostat setting. And that leads to savings.

In addition to reducing energy bills, extra moisture in the home has many benefits: lessening cold symptoms, diminishing static electricity and replenishing lost moisture into all those things that need it: plants, furniture, pets, and especially you and your family.

What is the Best Type of Humidifier?

Because all humidifiers use water, any minerals or contaminants in the water must be taken into account. Most types of humidifiers end up releasing these impurities into the air, causing white dust residue.

Evaporative humidifiers with replaceable wicks provide the cleanest, most effective means of replenishing moisture in your home's air. As evaporation occurs inside the unit, the mineral residue from the water remains on the paper surface of the wick, which is removed and discarded with the wick.

As an additional benefit, several of our humidifiers have optional air filters to further enhance the air quality and comfort of your home. From our convenient tabletop units, our extensive array of whole-house evaporative humidifiers, and our high quality air filters and humidifier wicks, we at Essick Air Products take great pride in offering a variety of superior products that enhance your health and improve your home environment.



**Essick Air humidifiers
come with a two-year warranty
on motors and a one-year
warranty on all other components,
except wicks**



ESSICK'S NEWEST HUMIDIFIER

EP9 500 PEDESTAL

Our newest humidifier performs double duty, adding healthy moisture and elegance to your home at the same time.

Boasting 9 gallons of output per day, this humidifier's rich mahogany tone and decorative tile inset create a stylish pedestal for plant, vase or figurine. Tile can be replaced with any standard 12" x 12" tile to fit your decor.

Pour-in fill and casters allow easy filling without the hassle of removing the items on top.

- ◊ Humidifies 2000 sq. ft.
- ◊ 9 Gallon output per day
- ◊ Digital Control
- ◊ Variable Speed Motor
- ◊ Auto Humidistat
- ◊ AutoShut-off
- ◊ Reservoir holds 3.5 gallons
- ◊ Four caster wheels
- ◊ Front Pour-in opening for easy filling
- ◊ Interchangeable top tile
- ◊ Uses 1043 Wick
- ◊ Measures 22"L x 22"D x 29"H



Uses Replaceable 1043 Superwick®



Easy Pour-in Fill

EP9 500 Mahogany
UPC 043129-25659-0

WHOLE-HOUSE CREDENZA STYLE HUMIDIFIERS

Whole-house humidification is provided in the clean, classic lines of this wood grain styled credenza.

Holding over 5 gallons, this handsome unit boasts 12 gallons output per day, effectively humidifying up to 2,500 square feet.



2-Stage AirCare®
Filter #1051

Traps airborne impurities
Prolongs life of wick

Variable Speed
Analog Control



Replaceable SuperWick # 1041
High output, long-lasting



E-Z Roll
Casters

Makes moving
the unit easy



697 500 Cherry
UPC 043129-12107-2

696 400 Light Oak
UPC 043129-05061-7

Easy-fill dual
water bottles
with refill hose



- ◇ Automatic humidistat allows you to set a target humidity, and the unit will maintain the selected humidity
- ◇ Variable speed motor with quiet nighttime setting
- ◇ Separate left and right refill bottle indicators
- ◇ Automatic shutoff

- ◇ Easy-fill dual water bottles w/refill hose
- ◇ 5.2 Gallon Total Water Capacity
- ◇ Uses patented Super Wick #1041
- ◇ Accommodates 2-Stage AirCare® Filter (standard on 697-500; optional on 696-400)
- ◇ Measures 28¹/₄"L x 14¹/₂"D x 23"H

WHOLE-HOUSE CONSOLE HUMIDIFIERS 400 SERIES

This console style humidifier provides maximum humidification for the whole house in a contemporary cabinet. The 4D7 series is capable of servicing a 2700 sq. ft. house with an output of 13 gallons per day. The 427 unit humidifies 2100 sq. ft. and delivers 10 gallons per day.

4D7 800 White
UPC 043129-12106-5



4D7 300 Light Oak
UPC 043129-25547-0



Replaceable
SuperWick # 1041
High output, long-lasting

- ◊ Automatic humidistat allows you to set a target humidity, and the unit will maintain the selected humidity
- ◊ Variable speed motor with quiet nighttime setting
- ◊ Separate left and right refill bottle indicators
- ◊ Automatic shutoff
- ◊ Easy-fill dual water bottles w/refill hose
- ◊ 5.5 Gallon Total Water Capacity
- ◊ Uses patented Super Wick #1041
- ◊ Includes 2-Stage AirCare® Filter
- ◊ Measures 28" L x 13⁷/₈" D x 22³/₈" H



Easy-fill dual
water bottles
with refill hose



E-Z Roll
Casters for
moving the unit



2-Stage
AirCare® Filter #1051
Traps airborne impurities.



Same features as above,
except for the following:

- ◊ 2-speeds
- ◊ 10 gallon output
- ◊ 2100 sq. ft. coverage

427 300 Oak Burl
UPC 043129-04613-9

CONSOLE STYLE HUMIDIFIERS H12 SERIES

Although this is a midsize unit, it is sufficient to humidify an entire 2500 sq. ft. house. It also accomodates an optional air filter to increase indoor air quality.

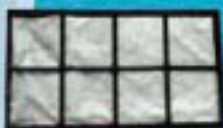


Easy-fill single water bottle with refill hose

- ◊ Automatic humidistat
- ◊ 3-speed motor
- ◊ 12 Gallon output per day
- ◊ 5 Gallon Total Water Capacity
- ◊ E-Z Roll Casters for easy movement
- ◊ Uses Super Wick #1045
- ◊ Measures 21 3/4"L x 13 3/4"D x 22 1/4"H



Replaceable SuperWick # 1045



Optional 2-Stage AirCare® Filter #1051



H12 300
UPC 043129-09193-1
Light Oak



H12 400
UPC 043129-09800-8
Oak Burl

2500 sq. ft.; 12 gal. per day ◊ Console Style

ED11 EURO-STYLE

These stylish European-inspired console units offer humidification for up to 2300 sq. ft.

- ◊ Automatic humidistat & built-in hygrometer
- ◊ Variable speed motor with quiet nighttime setting
- ◊ 11 Gallon output per day
- ◊ 3 Gallon Total Water Capacity
- ◊ Uses Super Wick #1041
- ◊ Optional 2-Stage AirCare® Filter #1051
- ◊ Measures 24 1/2"L x 15"D x 18" H



Easy-fill Side Reservoir



Replaceable SuperWick # 1041

ED11 910
UPC 043129-25594-4
Charcoal, Titanium



ED11 800
UPC 043129-25595-1
Khaki, White



Optional 2-Stage AirCare® Filter #1051

2300 sq. ft.; 11 gal. per day ◊ Euro-console Style

SPACESAVER HUMIDIFIERS

821 000

Our spacesaver unit provides whole-house humidification in a compact cabinet that easily fits into a corner.



- ◇ 9 Gallon output per day
- ◇ Humidifies 1900 sq. ft.
- ◇ Digital Control
- ◇ 2-speed motor with quiet nighttime setting
- ◇ Refill light and Auto shutoff
- ◇ Hygrometer measures precise room humidity
- ◇ Measures 13"L x 17³/₄"D x 22"H

E-Z Roll Casters for moving the unit



Uses Super Wick # 1043



Wick frame sold separately

821 000 White
UPC 043129-11603-0

Easy Pour-in Reservoir



1900 sq. ft.; 9gal. per day ◇ Spacesaver Style

D46 720 TOWER

This attractive tower unit is capable of humidifying multiple rooms while taking up minimal space. Its digital controls offer precise humidity monitoring and control.



- ◇ Automatic humidistat
- ◇ 4-speed motor with quiet nighttime setting
- ◇ Built-in hygrometer
- ◇ 6 Gallon output per day
- ◇ Humidifies 1300 sq. ft.
- ◇ Dual Water Tanks
- ◇ 3 Gallon Total Water Capacity
- ◇ Measures 15"L x 15" D x 26 1/2" H



Easy-fill Dual Water Tanks with handles and locking clips



Uses Dual SuperWick # 1040
High output, long-lasting

D46 720 Charcoal, Titanium
UPC 043129-25599-9

1300 sq. ft.; 6 gal. per day ◇ Tower-Style

MINI-CONSOLE HUMIDIFIERS

3D6 100

This handsome addition to our mini-console category has an impressive output of 5.5 gallons per day and utilizes dual wicks to provide coverage for a surprisingly large area of 1200 sq. ft. Dual bottles hold a total of 3 gallons for extended run time.



- ◊ Automatic humidistat
- ◊ Digital control
- ◊ 4-speed motor with quiet nighttime setting
- ◊ Easy-fill dual bottles
- ◊ 5.5 Gallon output per day
- ◊ 3 Gallon Total Water Capacity
- ◊ Uses Dual Super Wicks #1040
- ◊ Measures 19¹/₄"L x 12¹/₂" D x 14¹/₄"H



3D6 100

White, Midnight Blue, UPC 043129-25652-1

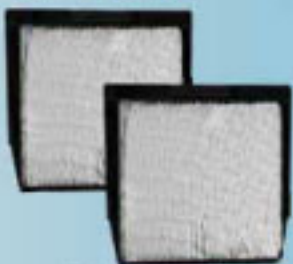
1200 sq. ft; 5.5 gal. per day ◊ Mini-Console Style

5D6 700

This midsize humidifier offers good looks, compact design and maximum humidification for up to 1100 sq. ft. The digital control panel provides precise humidity monitoring and control. The easy pour-in design makes refilling worry-free.



Optional 2-Stage AirCare® Filter #1050



Uses Dual SuperWick # 1040

- ◊ 5 Gallon output per day
- ◊ Auto humidistat
- ◊ 4-speed motor with quiet nighttime setting
- ◊ Built-in hygrometer
- ◊ Easy pour-in fill method
- ◊ 3 Gallon Total Water Capacity
- ◊ Uses two patented Super Wicks #1040
- ◊ Accomodates 2-Stage AirCare® Filter # 1050
- ◊ Measures 17³/₄"L x 9¹/₄"D x 13³/₄"H

Easy Pour-in Fill Method



5D6 700 White
UPC 043129-25597-5

1100 sq. ft; 5 gal. per day ◊ Mini-Console Style

TABLETOP HUMIDIFIERS

Tabletop units provide big humidification in a small package. Convenient for travel, apartments or children's bedrooms, tabletop units bring all the benefits of humidification with smaller price tag and footprint.

7D6 100 White, Midnight Blue

UPC 043129-25598-2

Uses SuperWick #SGL 1040



- ◊ Humidifies 700 sq. ft.
- ◊ 3 Gallon output per day
- ◊ Digital humidistat & built-in hygrometer
- ◊ 4-speed motor with quiet nighttime setting
- ◊ 2 Gallon Total Water Capacity
- ◊ Uses Super Wick SGL 1040
- ◊ Measures 12¹/₂"L x 17³/₄"D x 13"H



E27 000, White

UPC 043129-25655-2



E35 000, White

UPC 043129-25656-9

- ◊ Humidifies up to 800 sq. ft.
- ◊ 3.5 gallon output per day
- ◊ Analog hygrometer
- ◊ Adjustable humidity level
- ◊ 2-speed motor
- ◊ 2 Gallon Total Water Capacity
- ◊ Measures 11"L x 11"D x 10¹/₂"H



- ◊ Humidifies 640 sq. ft.
- ◊ 2.7 gallon output per day
- ◊ 2-speed motor
- ◊ 2 Gallon Total Water Capacity
- ◊ Dishwasher-safe base
- ◊ Measures 11"L x 11"D x 10¹/₂"H

Both the E27 000 and E35 000 have easy pour-in bases and use the SGL 1040 Super Wick for replacement.



MODEL/ UPC	DESCRIPTION	MSTR PAK/ WT/ CUBE
SGL1040  0 43129 05776-0	Replacement wick - Single Pack (1 tabletop wick per carton) <ul style="list-style-type: none">Fits 300, 500, 700, DP3, 5D6, 7D6, B23, E35000 and E27000	6 4.0 lbs/ 0.543
1040  0 43129 04467-8	Replacement wick - Twin Pack (2 table top wicks per carton) <ul style="list-style-type: none">Fits 300, 500, 700 DP3, D46, B23, E35000 and E27000	6 5.5 lbs/ 0.891
1041  0 43129 04468-5	Replacement Console Wick <ul style="list-style-type: none">Fits 400, 600 and ED-11 Series	6 17.1 lbs/ 3.15
1043  0 43129 08259-7	Replacement Pedestal and Space Saver Wick <ul style="list-style-type: none">Fits EP9 500 and 600 Series	3 5.2 lbs/ 1.14
3398020GRYP  0 43129 07487-3	Wick frame only for 1043 <ul style="list-style-type: none">Fits 800 Series	6 3 lbs/ 0.53
1044  0 43129 07487-3	Replacement Tabletop wick <ul style="list-style-type: none">Fits 900 Series	6 3 lbs/ 0.53
1045  0 43129 09208-8	Replacement Console Wick <ul style="list-style-type: none">Fits H12 series	3 9.52 lbs/ 1.83
1050  0 43129 03462-4	AirCare® Filter - Tabletops - Two stage air cleaning filter removes dust, pollen, smoke and odors <ul style="list-style-type: none">Fits 500 Series	6 1.9 lbs/ 0.27
1051  0 43129 04466-1	AirCare® Filter - Two stage air cleaning filter removes dust, pollen, smoke and odors <ul style="list-style-type: none">Fits 400 and 600 SeriesFits H and E Series	6 5.5 lbs/ 0.91

MODEL/ UPC	DESCRIPTION	MSTR PAK/ WT/ CUBE
1101  0 43129 08187-1	Replacement HEPA Air Purifier Filter <ul style="list-style-type: none">Fits Model 200 001	3 17.2 lbs/ 0.97
1103  0 43129 09821-3	Replacement HEPA Air Purifier Filter <ul style="list-style-type: none">Fits model 127 001	3 4.2 lbs/ 0.36
1104  0 43129 09888-6	Replacement Carbon Prefilter for HEPA Air Filter <ul style="list-style-type: none">Fits Model 127 001	6 3 lbs/ 0.23
1202  0 43129 09647-9	Replacement Air Purifier Filter <ul style="list-style-type: none">Fits model DP3 200 2 in 1	3 4.6 lbs/ 0.91
1301  0 43129 10757-1	Replacement MEGA Air Purifier Filter <ul style="list-style-type: none">Fits model 129 900	3 2.6 lbs/ 0.39
1960  0 43129 01127-4	1 Quart Water Treatment <ul style="list-style-type: none">Prevents Lime scale build-upKeeps water smelling cleanFor Water Wheel units only	12 28.9 lbs/ 1.02
1970  0 43129 04629-0	32 oz. Bacteria Treatment - EPA registered. Only treatment required for evaporative humidifiers <ul style="list-style-type: none">Helps control bacteria and algae buildup.Keeps water smelling clean	6 14 lbs/ .52
1980  0 43129 10756-4	Bottle Cap Replacement Pack - Contains two caps <ul style="list-style-type: none">Fits 400, 600, and H12 Series bottles	6 3 lbs/ 0.22
1990  0 43129 09491-8	Digital Hygrometer/Thermometer <ul style="list-style-type: none">Digitally measures humidity and temperatureMin/Max memoryFahrenheit/Centigrade switch	6 1.55 lbs/ 1.99
4400  0 43129 25646-0	Universal Fill Tube <ul style="list-style-type: none">44 inches total lengthFits most faucet heads	1 2.1 lbs/ 0.39

PRODUCT SHIPPING SPECIFICATIONS

EP9 500 Pedestal			600 Series Traditional Credenza			400 Series Traditional Console		
Output per 24 hr	9 gallons	34 Liters	Output per 24 hr	12 gallons	45.4 Liters	Output per 24 hr	13 Gallons	49.2 L
Coverage	2688 sq feet		Coverage	2368 sq feet		Coverage	2788 sq ft	
Capacity	3.5 gallons	13.2 Liters	Capacity	5.2 gallons	19.7 Liters	Capacity	5.5 gallons	20.8 L
Dim. L x B x H	19.7 x 19.7 x 27.6	50 x 50 x 68	Unit Dimensions in/cm	28.25 x 14.5 x 22	71.8x 36.8 x 58.4	Unit Dimensions in/cm	26.5 x 12.5 x 26	67.3 x 31.8 x 50.8
Unit weight	25.5 lbs	11.34 kg	Unit weight	27.3 lbs	12.38 kg	Unit weight	21 lbs	9.53 kg
Electrical specs:	120 VDC/60 Hertz/135 Watts		Electrical specs:	120 VDC/60 Hertz/135 Watts		Electrical specs:	120VDC/ 60 Hertz/135 Watts	
Electrical Listing	ETL	CETL	Electrical Listing	ETL	CETL	Electrical Listing	ETL	CETL
EP9 500 — Shipping			600 Series — Shipping			400 Series — Shipping		
Carton Qty	1		Carton Qty	1		Carton Qty	1	
UPS Reship	YES		UPS Reship	YES		UPS Reship	YES	
Carton Size in/cm	32" x 22" x 29"	56 x 56 x 70	Carton Size in/cm	29 x 15 x 25	73.7 x 39.4 x 63.5	Carton Size in/cm	27.25 x 13.5 x 21	69.2 x 34.3 x
Carton Weight	25 lbs	11.3 kg	Carton Weight	22.2 lbs	14.6 kg	Carton Weight	25 lbs	11.3 kg
Carton Cube	3.8		Carton Cube	6.5		Carton Cube	4.58	
Nat. Freight Class	60273		Nat. Freight Class	60273		Nat. Freight Class	60273	
LTL Freight Class	150		LTL Freight Class	150		LTL Freight Class	160	
N12 Series Console Style			ED11 Euro-Console Style			821 000 Spacesaver		
Output per 24 hr	12 gallons	45.4 L	Output per 24 hr	11 gallons	41.6	Output per 24 hr	9 gallons	34 L
Coverage	2588 sq ft		Coverage	2368 sq ft		Coverage	1988 sq ft	
Capacity	5 gallons	19 L	Capacity	3 gallons	11.4 L	Capacity	6 gallons	22.7 L
Unit Dimensions in/cm	21.75 x 12.75 x 22.25	55.25 x 32.5 x	Unit Dimensions in/cm	24.5 x 15 x 18	62.2 x 38 x 45.7	Unit Dimensions in/cm	12 x 17.75 x 22	30 x 45 x 55.9
Unit weight	22.4 lbs	10.16 kg	Unit weight	20.12 lbs	9.13 kg	Unit weight	15.5 lbs	7.03 kg
Electrical specs:	120 VDC/60 Hertz/170 Watts		Electrical specs:	120 VDC/60 Hertz/160 Watts		Electrical specs:	120 VDC/60 Hertz/90 Watts	
Electrical Listing	ETL	CETL	Electrical Listing	ETL	CETL	Electrical Listing	ETL	CETL
N12 Series — Shipping			ED-11 Series — Shipping			821 — Shipping		
Carton Qty	1		Carton Qty	1		Carton Qty	1	
UPS Reship	YES		UPS Reship	YES		UPS Reship	YES	
Carton Size in/cm	23 x 15 x 23.5	58.4 x 38 x 59.7	Carton Size in/cm	26.75 x 18.5 x	68 x 47 x 50.2	Carton Size in/cm	12.5 x 19 x 22.75	34.3 x 48.3 x
Carton Weight	25.5 lbs	11.57 kg	Carton Weight	22.42 lbs	10.62 kg	Carton Weight	18.30 lbs	8.30 kg
Carton Cube	4.89		Carton Cube	5.66		Carton Cube	3.38	
Nat. Freight Class	60273		Nat. Freight Class	60278-04		Nat. Freight Class	60278-04	
LTL Freight Class	110		LTL Freight Class	150		LTL Freight Class	150	
D46 720 Tower			3D6 100 Mini-Console			SD6 700 Mini-Console		
Output per 24 hr	6 gallons	22.7L	Output per 24 hr	5.5 gallons	20.82 L	Output per 24 hr	5 Gallons	19 L
Coverage	1288 sq ft		Coverage	1288 sq ft		Coverage	1188 sq ft	
Capacity	3 gallons	11.4 L	Capacity	3 gallons	11.36 L	Capacity	3 gallons	11.4 L
Unit Dimensions in/cm	15 x 10 x 26.5	38x 25.4 x 67.3	Unit Dimensions in/cm	14.25 x 15.5 x 12.5	36.3 x 49.5 x 31.8	Unit Dimensions in/cm	18 x 18.25 x 14.25	25.4 x 46.4 x 36.2
Unit weight	11.30 lbs	5.13 kg	Unit weight	15.5 lbs	7.03 kg	Unit weight	2.7 lbs	1.67 kg
Electrical specs:	120 VDC/60 Hertz/65 Watts		Electrical specs:	120 VDC/60 Hertz/60 Watts		Electrical specs:	120VDC/ 60 Hertz/135 Watts	
Electrical Listing	ETL	CETL	Electrical Listing	ETL	CETL	Electrical Listing	ETL	CETL
D46 720 — Shipping			3D6 100 — Shipping			SD6 — Shipping		
Carton Qty	1		Carton Qty	1		Carton Qty	1	
UPS Reship	YES		UPS Reship	YES		UPS Reship	YES	
Carton Size in/cm	17.75 x 12.75 x 29	45.1 x 32.4 x 74	Carton Size in/cm	16.25 x 21.25 x 15	41.3 x 54 x 38.1	Carton Size in/cm	11 1/4 x 19 1/2 x 15	28.6 x 49.5 x 39.4
Carton Weight	15.30 lbs	6.9 kg	Carton Weight	19.5 lbs	8.8 kg	Carton Weight	5.9 lbs	2.7 kg
Carton Cube	4.87		Carton Cube	3		Carton Cube	1.97	
Nat. Freight Class	60278-04		Nat. Freight Class	60278-03		Nat. Freight Class	60273	
LTL Freight Class	150		LTL Freight Class	150		LTL Freight Class	160	
7D6 100 Tabletop Style			E35 000 Tabletop			E27 000 Tabletop		
Output per 24 hr	3 gallons	11.36	Output per 24 hr	2.5 gallons	13.25 L	Output per 24 hr	2.7 gallons	10.22 L
Coverage	780 sq ft		Coverage	800 sq ft		Coverage	670 sq ft	
Capacity	2 gallons	7.6 L	Capacity	2 gallons	7.2 L	Capacity	2 gallons	7.6 L
Unit Dimensions in/cm	12.5 x 17.75 x 13	31.8 x 45 x 33	Unit Dimensions in/cm	11 x 11 x 18.5	28 x 28 x 27	Capacity	11 x 11 x 18.5	28 x 28 x 27
Unit weight	7.10 lbs	3.22 kg	Unit weight	6.25	2.83 kg	Unit weight	6.25	2.83 kg
Electrical specs:	120 VDC/60 Hertz/160 Watts		Electrical specs:	120 VDC/60 Hertz/90 Watts		Electrical specs:	120 VDC/60 Hertz/60 Watts	
Electrical Listing	ETL	CETL	Electrical Listing	ETL	CETL	Electrical Listing	ETL	CETL
7D6 — Shipping			E35 000 — Shipping			E27 000 — Shipping		
Carton Qty	1		Carton Qty	1		Carton Qty	1	
UPS Reship	YES		UPS Reship	YES		UPS Reship	YES	
Carton Size in/cm	13.5 x 20 x 15	34.3 x 50.8 x	Carton Size in/cm	15 x 14 x 11.75	38 x 35.6 x 30	Carton Size in/cm	15 x 14 x 11.75	38 x 35.6 x 30
Carton Weight	9.39 lbs	4.22 kg	Carton Weight	7lbs	3.2 kg	Carton Weight	7 lbs	3.2 kg
Carton Cube	3.34		Carton Cube	1.35		Carton Cube	1.35	
Nat. Freight Class	60278-04		Nat. Freight Class	60278-03		Nat. Freight Class	60278-03	
LTL Freight Class	150		LTL Freight Class	150		LTL Freight Class	150	



ESSICK AIR PRODUCTS
5800 MURRAY ST.
LITTLE ROCK, AR.
72209

www.essickair.com
1-800-547-3888