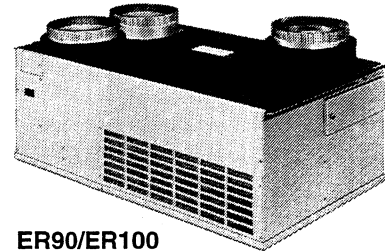
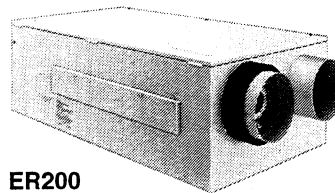


ER90/100/200 Home Ventilation Systems

The ER90/100/200 Home Ventilation Systems provide fresh air while retaining up to 85 percent of the heating or cooling energy in the exhaust air. Energy efficient answer to controlling indoor air pollution and maintaining comfortable humidity levels.



ER90/ER100



ER200

- Provide ventilation that helps contractors meet ASHRAE 62-89.
- Reduce air conditioning load by up to 0.4 ton during air conditioning season.
- Remote operations provide total control from a single convenient location.
- Energy transfer wheel for heat and moisture recovery.
- Selected models have automatic and economical built in preheat frost control for operation to design temperatures -29° F [-34° C] or -40° F [-40° C].
- Rugged steel cabinet.
- No drain required—condensation free.
- Eliminate or reduce need for humidifier.
- Exhaust 70-250 cfm of stale indoor air while bringing in equal amounts of fresh air.
- Variable fan speed control.
- Latent and sensible energy transfer efficiency up to 85 percent.
- Permanent (washable) room air filter.
- Permanently lubricated fan and wheel bearings.

CONTENTS

<i>Specifications</i>	2
<i>Ordering Information</i>	2
<i>Planning the Installation</i>	5
<i>Installation</i>	7
<i>Startup and Checkout</i>	19
<i>Operation</i>	20
<i>Service and Troubleshooting</i>	20
<i>Replacements Parts</i>	28

Specifications

IMPORTANT: *The specifications in this publication do not include normal manufacturing tolerances. Therefore, an individual unit may not exactly match the listed specifications. Also, this product is tested and calibrated under closely controlled conditions and some minor differences in performance can be expected if those conditions are changed.*

MODEL:

ER90/100/200 Home Ventilation Systems—include energy transfer wheel, filters, fan and blower assembly, heat wheel drive motor and speed control. Select models have frost control preheater, temperature control module and thermistor assembly.

COLOR: White.

ELECTRICAL RATINGS:

Voltage and Frequency: 120 Vac, 60 Hz or 240 Vac, 60 Hz.

Maximum Current:

Without Frost Control:

ER90/100: 1.3A.

ER200: 2.2A.

With Frost Control:

ER90: 15.9A at 120 Vac.

ER100: 15.9A at 120 Vac; 13.8A at 240 Vac.

ER200: 14.7A at 240 Vac.

AIR FLOW CAPACITY:

ER90/100: 70 to 185 cfm [30 to 85 L/s].

ER200: 80 to 250 cfm [40 to 120 L/s]

EFFICIENCY: 75 to 85 percent.

MINIMUM OUTDOOR OPERATING TEMPERATURE:

Without Frost Control:

120 Vac: 5° F [-15° C].

With Frost Control:

ER90: -20 F [-29 C].

ER100:

120 Vac: -20° F [-29° C];

240 Vac: -40° F [-40° C].

ER200: 240 Vac: -29° F [-34° C].

DIMENSIONS:

ER90/100: See Fig. 1.

ER200: See Fig. 2.

MOUNTING:

Mounts in conditioned space such as basements, utility rooms, hallway or closet. Can also be mounted in a conditioned attic space.

APPROVALS:

Underwriters Laboratories, Inc. listed.

Canadian Standards Association certified.

Home Ventilation Institute certified.

INSTALLED WEIGHT:

ER90/100:

Unit Weight: 47 lbs. [21 kg].

Shipped Weight: 58 lbs. [26 kg].

ER200:

Unit Weight: 74 lbs. [34 kg].

Shipped Weight: 98 lbs. [44 kg].

ACCESSORIES:

272672 Seven Inch Round Balancing Grid.

272673 Seven Inch Weather Cap.

272674 ER90/100 Return Air Boot.

Ordering Information

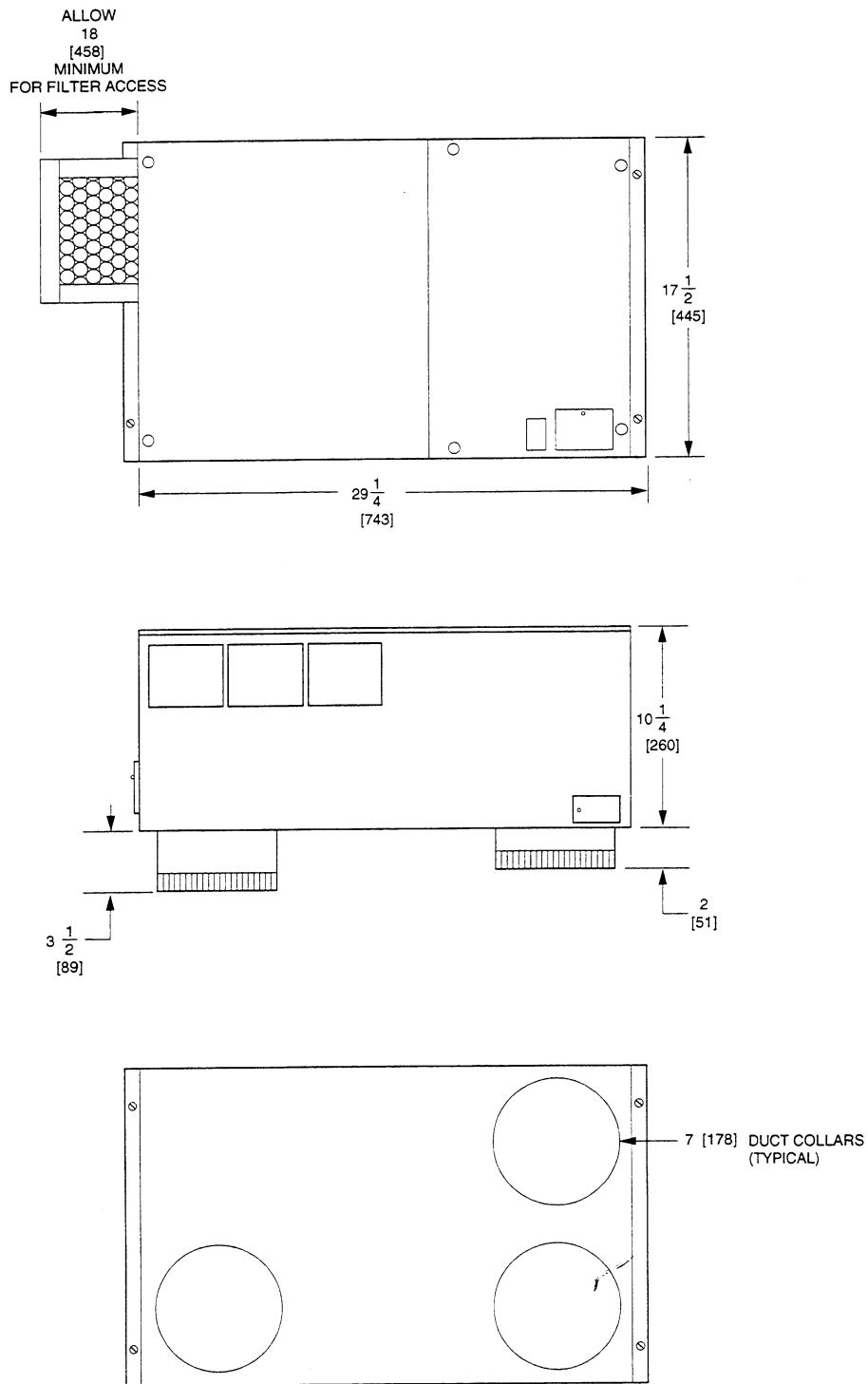
When purchasing replacement and modernization products from your authorized distributor, refer to the TRADELINE® Catalog or price sheets for complete ordering number.

If you have additional questions, need further information, or would like to comment on our products or services, please write or phone:

1. Your local Honeywell Home and Building Control Sales Office (check white pages of your phone directory).
2. Home and Building Control Customer Satisfaction
Honeywell Inc., 1885 Douglas Drive North
Minneapolis, Minnesota 55422-4386 (612) 951-1000

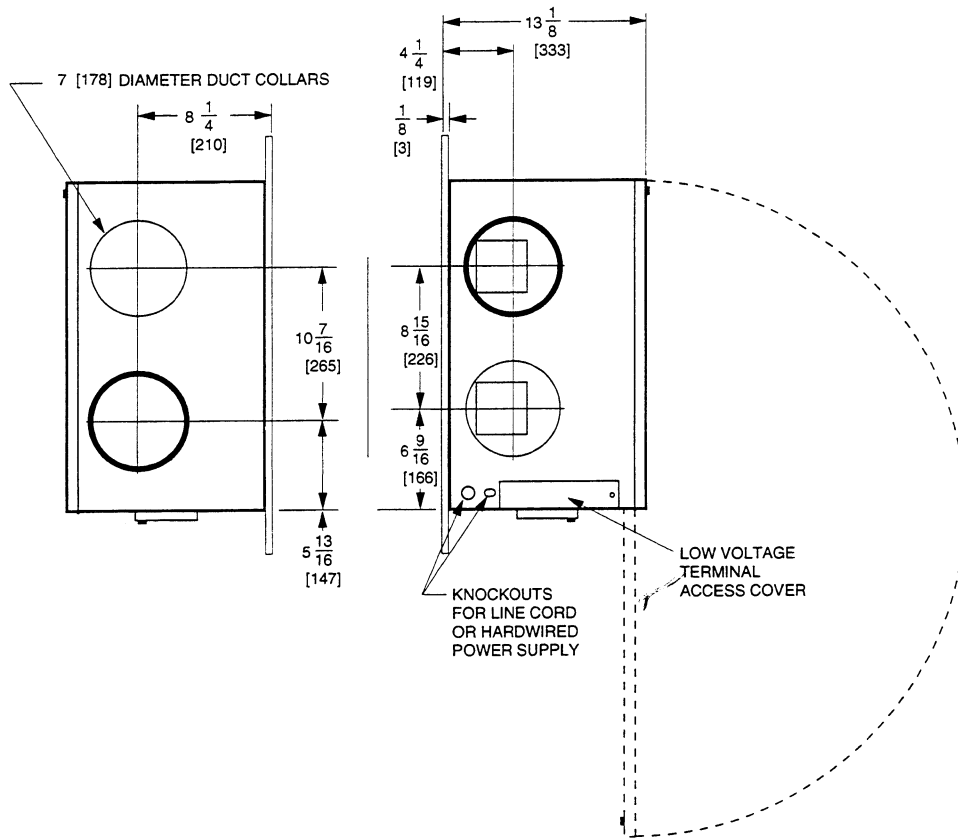
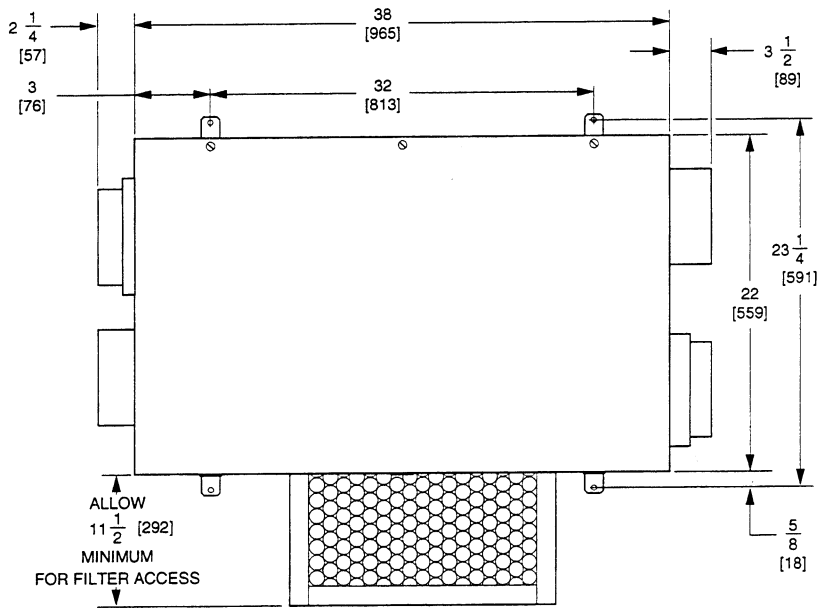
In Canada—Honeywell Limited/Honeywell Limitee, 740 Ellesmere Road, Scarborough, Ontario M1P 2V9 International Sales and Service Offices in all principal cities of the world. Manufacturing in Australia, Canada, Finland, France, Germany, Japan, Mexico, Netherlands, Spain, Taiwan, United Kingdom, U.S.A.

Fig. 1—ER90/100 installation dimensions in in. [mm].



M6126

Fig. 2—ER200 installation dimensions in in. [mm].



M6125

Planning the Installation

APPLICATION

The Home Ventilation System is designed to provide stale air exhaust and fresh air supply. The system draws outdoor fresh air through the ventilator, which distributes the fresh air into the house. Stale air is exhausted through the ventilator and to the outdoors. Ducting between the ventilator and outdoors and ducting in unconditioned space must be insulated. See Fig. 3 or 4.

MOUNTING POSITION AND LOCATION

The ER90/100/200 can be suspended from the exposed floor/ceiling joists, ceiling or floor surface, closet floor or utility room to accommodate ducting between joists. Locate the fresh air intake 6 ft. [2m] or farther from the stale air exhaust to avoid exhaust air reentry. See Fig. 3 or 4, depending on the model being installed.



CAUTION

The ER90/100s must be mounted with duct openings facing up or down to avoid wheel warpage.

NOTE: Build an insulated frame around the ventilator when installing in an unconditioned space.

FROST CONTROL GUIDELINES

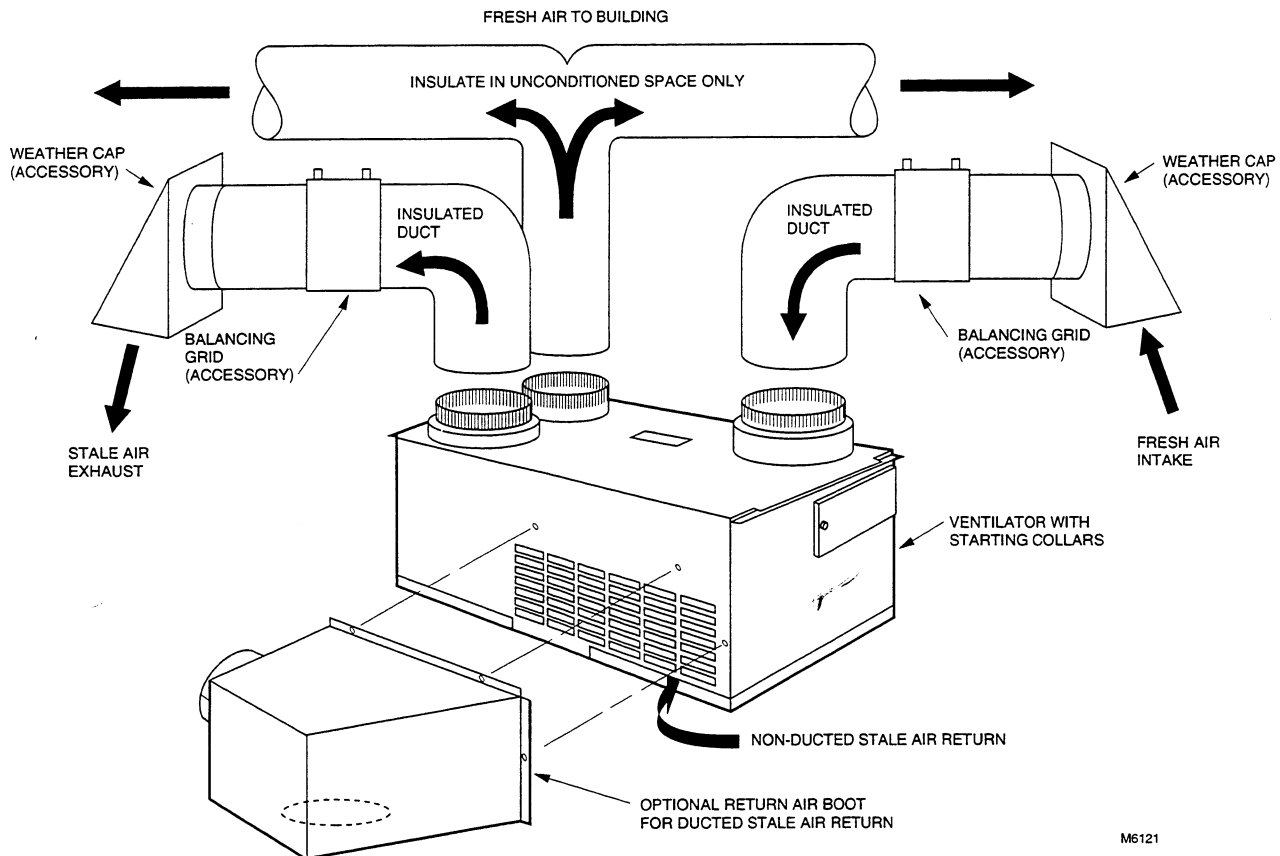
The ER90/100/200 120 Vac models are recommended for operation down to an outdoor design temperature of 5° F [-15° C]. In colder climates, use a model which includes a preheat frost control system to avoid frost formation in the ventilator. See Fig. 5.

NOTE: For pool, spa and other high humidity applications, a frost control model is recommended for operation at outdoor design temperatures below 15° F [-9° C].

DUCTING

Ducting between the Home Ventilation System and the outdoors must be insulated and have a continuous air vapor barrier. See Fig. 6. Fresh air supply ducts from the Home Ventilation System to the room must be insulated only when located in an unconditioned space (without heating or cooling).

Fig. 3—Typical system components for ER90 and ER100.



M6121

Fig. 4—Typical system components for ER200.

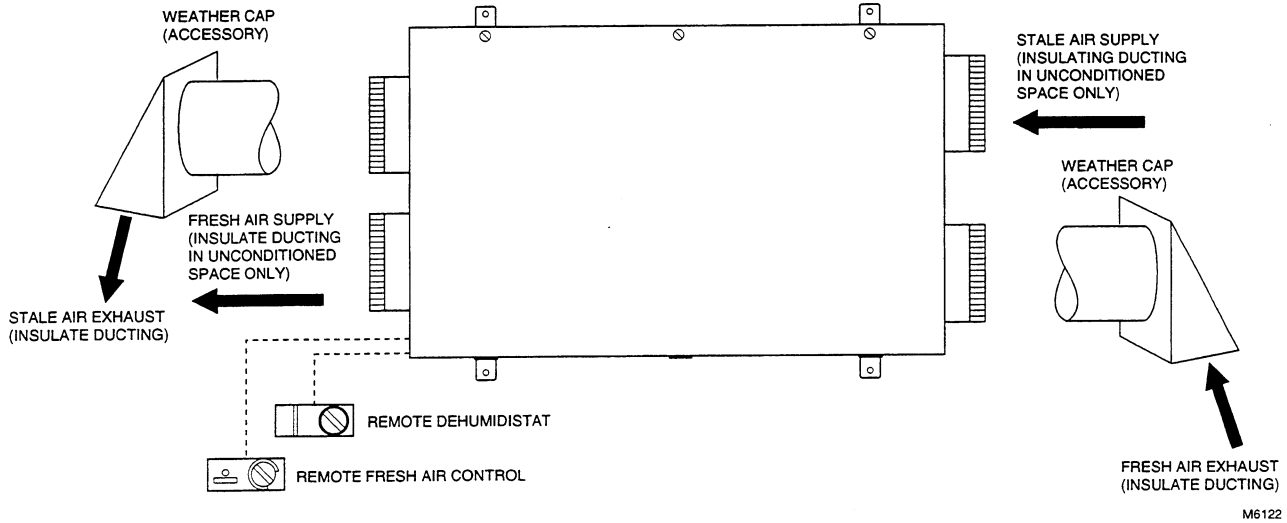
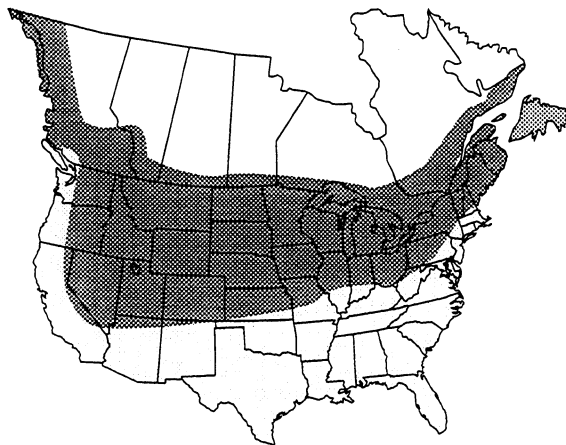


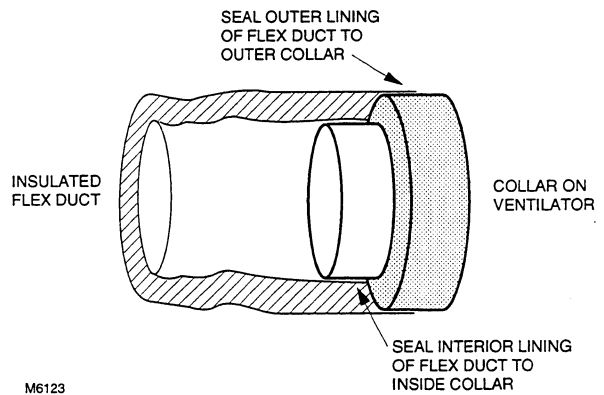
Fig. 5—Locations that need frost control models.



- USE VENTILATOR WITHOUT FROST CONTROL.
- USE VENTILATOR WITH FROST CONTROL FOR DESIGN TEMPERATURES DOWN TO -20F [-29C].
- USE VENTILATOR WITH FROST CONTROL FOR DESIGN TEMPERATURES DOWN TO -40F [-40C].

M5293

Fig. 6—Sealing insulated duct terminations.



WARNING

All ducting to the outdoors must be terminated above anticipated snow lines and fitted with a weather cap that incorporates bird screening.

Design and installation of ductwork must be in accordance with standard HVAC practice to deliver required quantities of fresh air to the temperature controlled space and exhaust equivalent quantities of room air to the outside.

Intake and exhaust duct runs should be as short as possible with few bends or elbows.

1. Choose duct sizes that will maintain 0.2 in. wc.
2. Use 7 in. diameter round duct for all connections to and from the ventilator.
3. Plan fresh air supply for good ventilation efficiency. Separate outside vents from intake and exhaust by at least 6 ft [2 m].

NOTE:

- Fresh air should not blow directly onto stationary occupants or thermostat.
- Do not locate the fresh air intake close to known sources of pollutants such as automobile exhaust, dryer vent or chimney smoke.

4. Supply air can be ducted directly to the return side of a forced-air heating or air conditioning system. This can provide excellent distribution of fresh air while saving substantially on installation.

NOTE: Continuous operation of the ER90/100/200 during periods of occupancy is recommended. When the furnace air handler operates, fresh air will be distributed through the heating/air conditioning supply registers. When the air handler is off, fresh air will be delivered through both supplies and returns.

5. Electrical interlock or automatic powered damper must be used to prevent unwanted entry of outside air in the event that the ER90/100/200 is turned off while the furnace air handler continues to operate.

BALANCING AIRFLOW

Balancing the airflow is important to verify that the Home Ventilation System is delivering the intended airflow and energy performance. Use the Balancing Airflow instructions in the Installation section to check and balance the airflow.

CONTROLS**Remote Override Switch Functions**

If continuous ventilation is not required, use an on/off control such as dehumidistat, timer, or occupancy sensor. Overriding only the speed selection with a humidi-stat may be desired if moisture control is a primary function of the system and continuous ventilation is required (see Field Wiring Options).

Moisture Control

For optimum indoor air pollutant reduction and humidity control, continuous operation of the ventilation system is recommended. Increased moisture removal will always occur at maximum ventilation rates. This high setting should be used when first occupying a new building to remove excess moisture from new wood, plaster, cement and other moisture absorbing construction materials. If the system is wired to a dehumidistat, preselected moisture levels will be maintained automatically. For correction of severe moisture problems, the sensible energy transfer wheel can be substituted for the desiccant coated wheel.

Frost Control

Select models have a factory installed automatic preheat frost control system that operates to prevent the inlet air temperature from falling below 10° F [-12° C]. The frost control system is designed to maintain this level down to outdoor temperatures of -20° F [-29° C] with 40 percent indoor relative humidity. The light located next to the press-to-test button lights when the frost control preheater is active or the TEST button is pressed.

IMPORTANT: Release the TEST button as soon as the neon light comes on. Pressing the TEST button longer can cause overheating of the ventilator.

Installation

WHEN INSTALLING THIS PRODUCT...

1. Read these instructions carefully. Failure to follow them could damage the ER90/100/200 or cause a hazardous condition.
2. Check the ratings given in the instructions and on the ER90/100/200 to make sure the product is suitable for your application.
3. Installer must be a trained, experienced service technician.
4. After installation is complete, check out product operation as provided in these instructions.

**CAUTION**

Disconnect power supply before wiring to prevent electrical shock or equipment damage.

UNPACK HOME VENTILATION SYSTEM

Check that all the components are included. The Home Ventilation System is shipped assembled. The unit consists of:

- Painted finish cabinet with starting collars.
- Variable speed fresh air control.
- Dehumidistat (on selected models).
- Built-in preheater (on selected models).
- ER90/100—four mounting straps; ER200—two mounting straps.
- Hardware package.
- Literature package.

The Home Ventilation System comes ready for installation as received. Wiring and ducting are required to complete the installation. Before proceeding, check to make sure all the components are on hand.

REVIEW THE INSTALLATION PLAN

Place the unit on the floor; position as it will be when installed. Cut out the mounting template printed on the outer carton. Use the template to determine the location of the mounting straps. Make sure all the required duct work and additional accessories are on hand before starting the installation.

ER90/100 MOUNTING (If installing an ER200, refer to ER200 MOUNTING section)

Suspended from Floor Joists

1. Securely nail two metal hanging straps (supplied in carton) to the inside of the two floor joists 32 in. [815 mm] on centers at location marked 1. Each pair of straps should be 15-7/8 in. [400 mm] apart on centers and square to the other pair. Allow all four straps to hang straight down.
2. Drive four nails part way into the outsides of the same joists and opposite the four nails. These nails should be of sufficient size to support the unit, with a head size to allow the strap holes to be placed over the head.
3. Raise the inverted ventilator into position. Feed one pair of straps through the mounting bracket slots. Hold the bracket about 8 in. [200 mm] below the joists, bend the straps upward and over the heads of the nails on the outside of one joist.
4. Allow the unit to swing down on the secured straps and insert the other pair of straps through the mounting bracket at the other end. With the unit suspended horizontally about 8 in. [200 mm] below the joist, repeat step 3.
5. Attach ducts to starting collars. Tape all joints. See Fig. 6.
6. Raise or lower the ventilator to the desired permanent height. Screw outside straps to joists.

NOTE: Use of screws will simplify disconnecting the ventilator, if necessary.

Surface Mount to Ceiling or Floor

1. Locate two joists 32 in. [815 mm] on center where the ventilator is to be mounted.
2. Using the printed template, locate and cut a 9 in. x 9 in. [230 mm x 230 mm] square opening through the ceiling or the floor with one side flush to the inside of one joist. The opening allows connection to the fresh air intake ducting. One end of the ventilator will be fastened to the joist.
3. Using the printed template, locate and cut a 9 in. x 15 in. [230 mm x 381 mm] opening where shown. This opening allows connection of the fresh air intake duct and the stale air exhaust duct to the outdoors.
4. Insert a 2 in. x 3 in. x 18 in. [50 mm x 75 mm x 460 mm] cleat through this opening and nail it to the joist to serve as a back-up for the mounting surface and to receive the ventilator mounting screws.
5. Using the printed template, locate and drill four pilot holes to receive no. 14 x 2 in. [50 mm] mounting screws. Surface preparation is now complete to accept the ventilator.

CEILING MOUNT

In order to provide a means of temporarily suspending the ventilator to make duct connections, follow these steps:

1. Securely nail three 24 in. [810 mm] lengths of standard hanging wire to the cleat and the joist. Allow wires to hang straight down.
2. Extend the ends of the Fresh Air Intake, Fresh Air to Building and Stale Air to Outdoors ducts through the prepared openings. See Fig. 3.
3. Position the suspended ventilator below the openings. Feed the two wires fastened to the cleat down through the slots in the mounting bracket. Bend these wires up the outside of the mounting bracket. Twist the wires around each other to suspend the ventilator 8 in. [200 mm] below the openings.
4. Feed the wire at the fresh air intake end of the ventilator down through the center hole in the mounting bracket. Complete the fastening per step 3 above.
5. Connect the three ducts to their respective starting collars. Tape all joints to prevent air leakage. See Fig. 6.
6. Turn two mounting screws into the pilot holes, previously drilled into the cleat, to within 1/4 in. [6 mm] of the ceiling.
7. While supporting the ventilator from below, cut two of the three standard hanging wires flush with the ceiling. Remove the hanging wire from the ceiling and mounting bracket. Raise the unit and engage two slots in the mounting bracket under the heads of the partially installed mounting gasket.
8. Cut and remove the third hanging wire and raise the unit flush to the ceiling. Install two screws through mounting holes and into the joist. Tighten all four screws to provide a snug fit between ceiling and the ventilator mounting gaskets.

FLOOR MOUNT

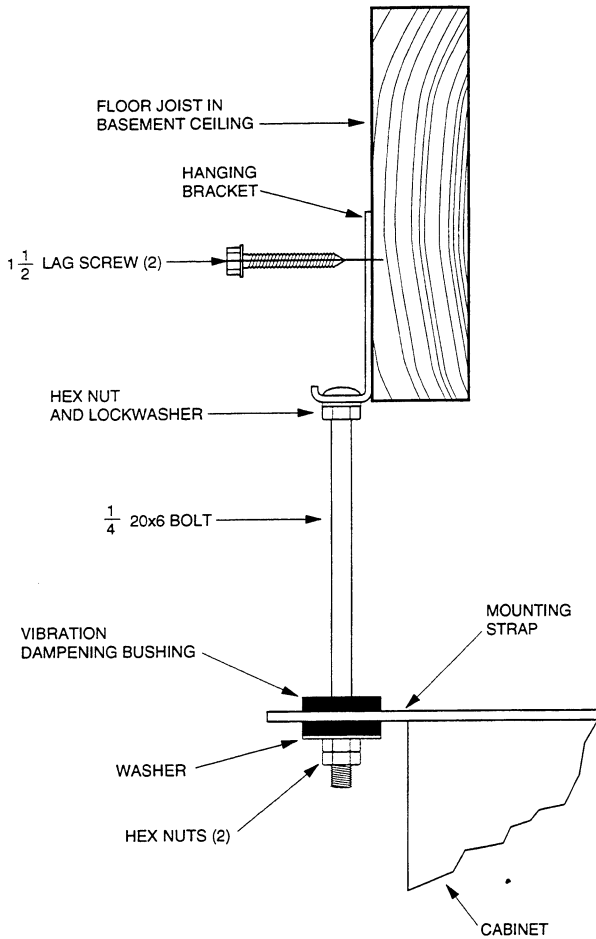
1. Block the ventilator far enough above the floor to make the duct connections. Tape the joints. See Fig. 6.
2. Secure the ventilator to the floor by turning two mounting screws into the pilot holes, previously drilled into the cleat, to within 1/4 in. [6 mm] of the floor.
3. Engage two slots in the mounting bracket under the heads of the partially installed mounting gasket.
4. Install two screws through mounting holes and into the joist. Tighten all four screws to provide a snug fit between floor and ventilator mounting gaskets.

ER200 MOUNTING

Suspended

1. Attach two mounting straps to the bottom of the Home Ventilation System cabinet. Use four of the no. 10-24 x 1/2 in. round head machine screws and four no. 10 internal tooth washers as supplied in the hardware package.
2. Attach a pair of hanging brackets to a joist. See Fig. 7. Space the brackets 25-1/4 in. apart on centers. Use two 1-1/2 in. lag screws to secure each bracket.
3. Locate and attach the remaining pair of brackets on a joist so each pair is 32 in. apart and perpendicular to each other.
4. Install a lock washer and a hex nut onto each of the four 6 in. bolts. Thread each hex nut to 1/2 in. below the bolt head.

Fig. 7—Typical mounting when suspending unit from basement ceiling with four suspension bolts (one shown).



5. Insert the bolts through the mounting strap bushing and secure each bolt with a pair of hex nuts. See Fig. 7.

6. Raise the cabinet to slip the heads of the bolts over the lips of the brackets and allow the bolt shanks to engage the slots in the brackets. Tighten the lock washer and hex nut upwards against the bottom of each bracket. The cabinet is now positioned for attachment of ducting.

Wall Mounting

1. Attach two mounting straps to the bottom of the cabinet. Use four each of the no. 10-24 x 1/2 in. round head machine screws and no. 10 internal tooth washers as supplied in the hardware package.

2. Insert a steel sleeve into each of the four mounting strap bushings. See Fig. 8. With the cabinet mounted horizontally, these bushings will be spaced 32 in. on centers for direct attachment to wall studs spaced 16 in. on centers. For other wall configurations, employment of a mounting board may be required.

3. Support the cabinet at the desired location and secure with four no. 12 x 1-1/2 in. lag screws. The Home Ventilation System is now mounted and ready for attachment of the ducting.

WIRING

Field Wiring Options

Select units include an illuminated ON/OFF master switch and a line voltage rated variable speed/ON-OFF fresh air control that must be installed.

The ER90 variable speed fresh air control can be mounted remotely or on the cabinet.

To mount speed control on the cabinet, remove lower electrical access cover and install speed control by using the same screws.

Remote controls such as a dehumidistat or timer can be used to override either the ON/OFF or the speed selection of the fresh air control. Several options are available for wiring these additional remote controls. See Figs. 9-15 Any rated (5A, 120 Vac) switch can be used to provide override as follows:

1. To override only the speed selection of the fresh air control, use YEL and RED connections. The auxiliary switch will not override the speed control OFF position.

2. To override the speed control and OFF position of the fresh air control, use BLACK and RED connections. The auxiliary switch will provide automatic override even with the speed control in the OFF position. Use this when the ventilator is being used for bathroom exhaust, it allows the automatic remote control even when continuous ventilation is not in use.

Fig. 8—Typical mounting when unit is mounted to a wall with four lag screws (one shown).

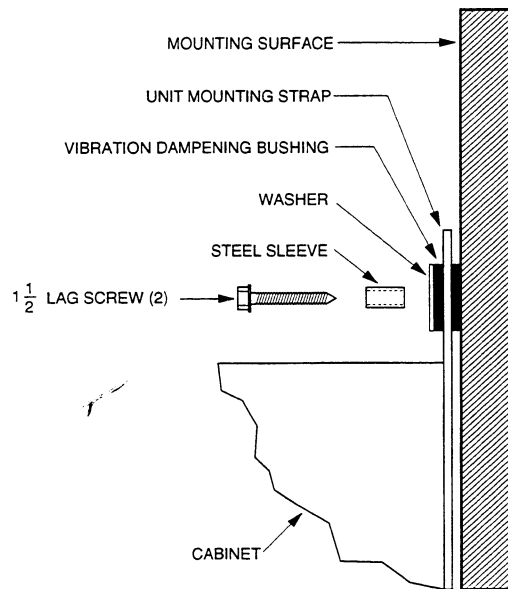


Fig. 9—Wiring of ER90 without preheater.

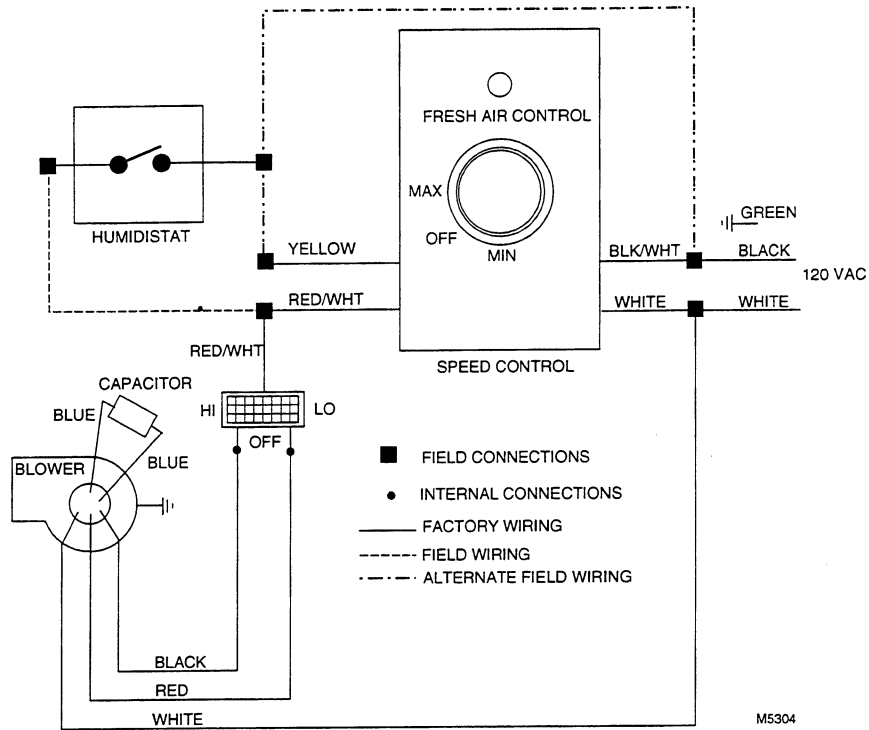


Fig. 10—Wiring of ER90 with preheater.

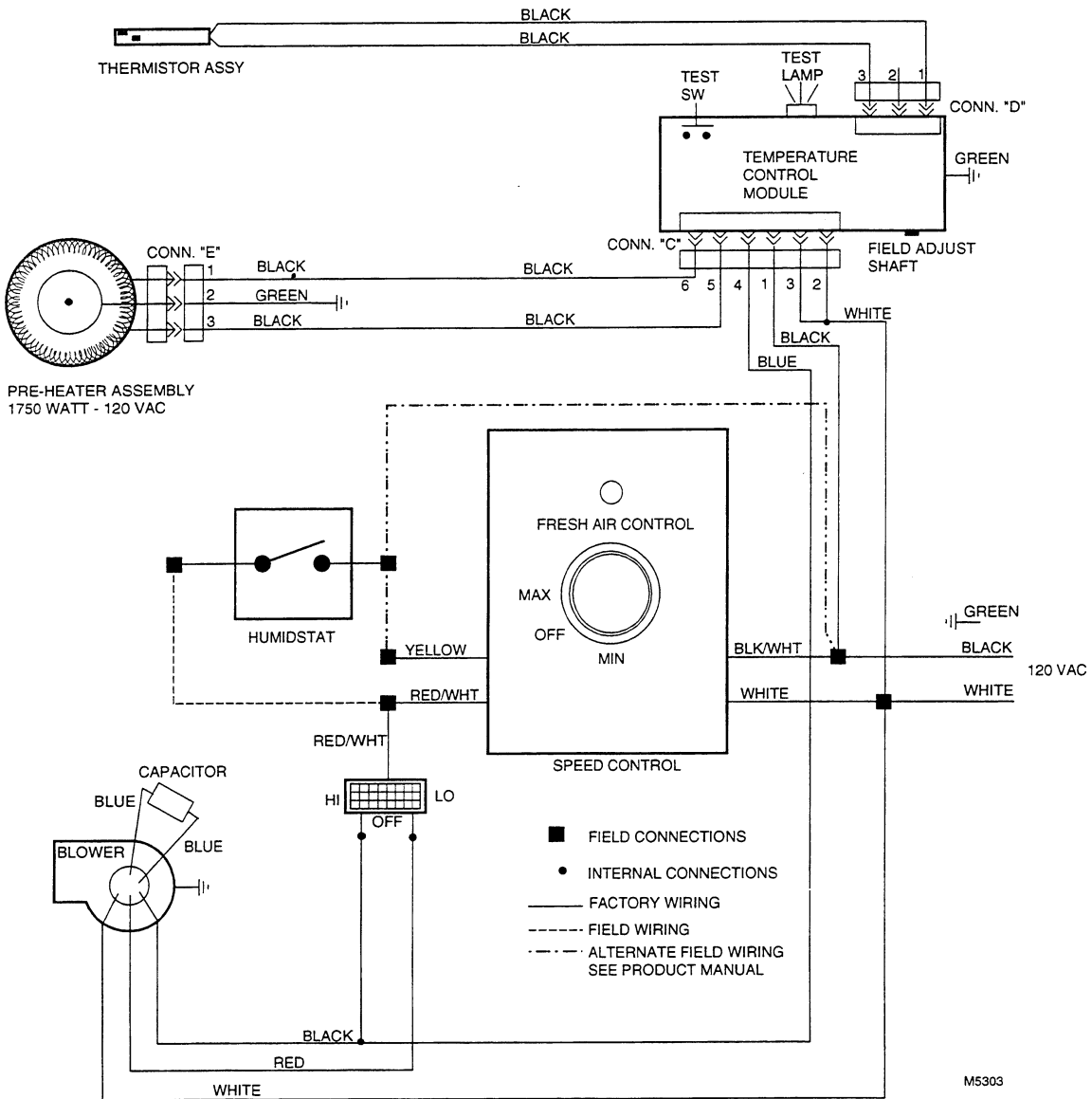
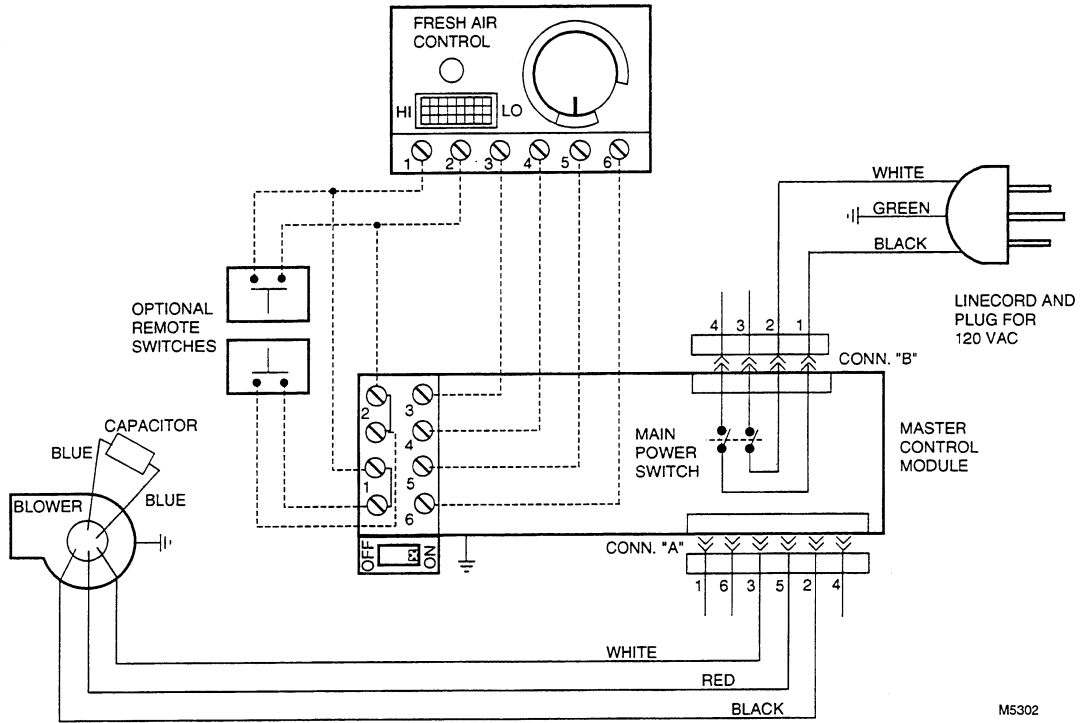


Fig. 11—Wiring of ER100 without preheater, but with line cord and plug.



M5302

Fig. 12—Wiring ER100 with preheater.

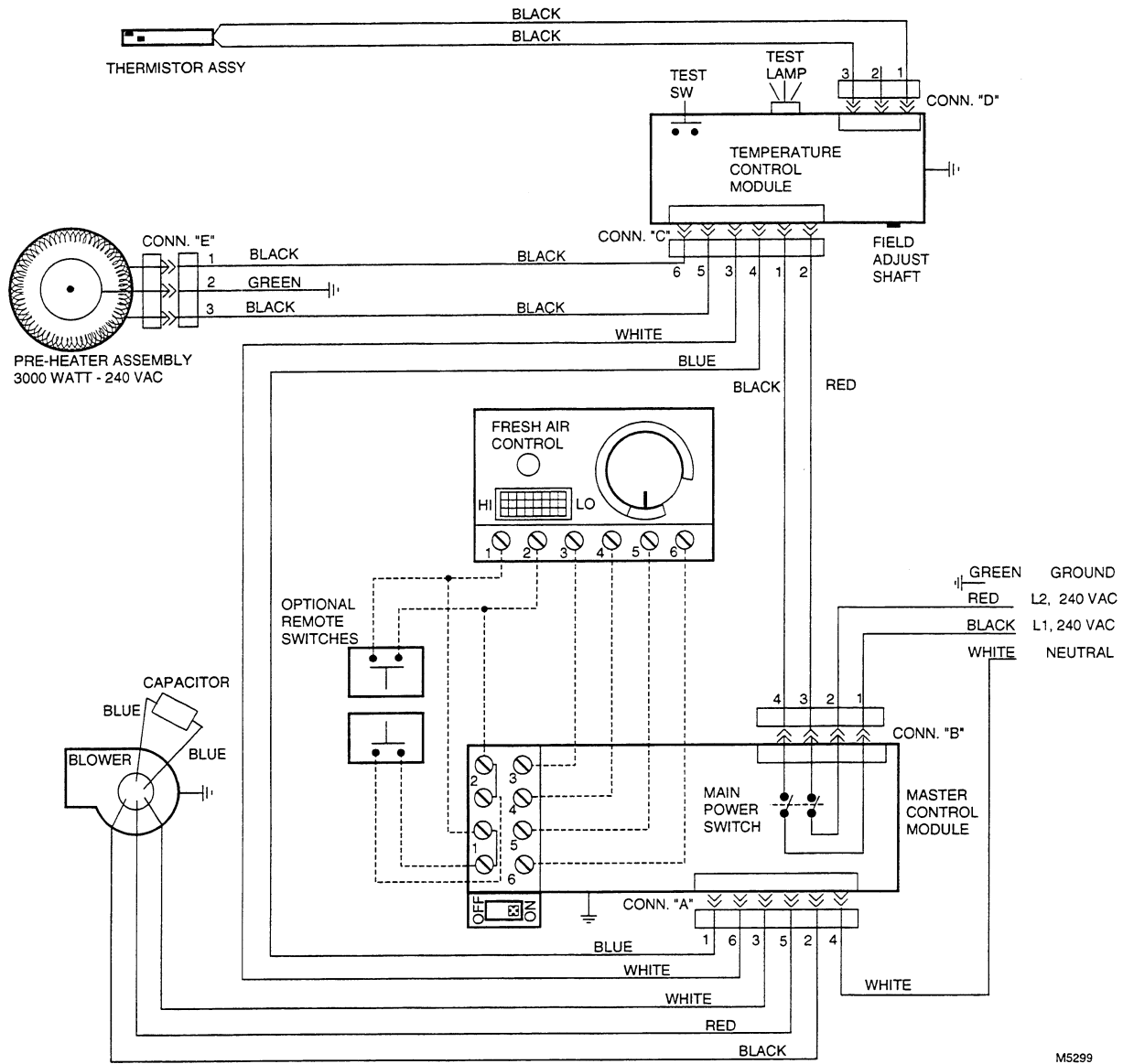
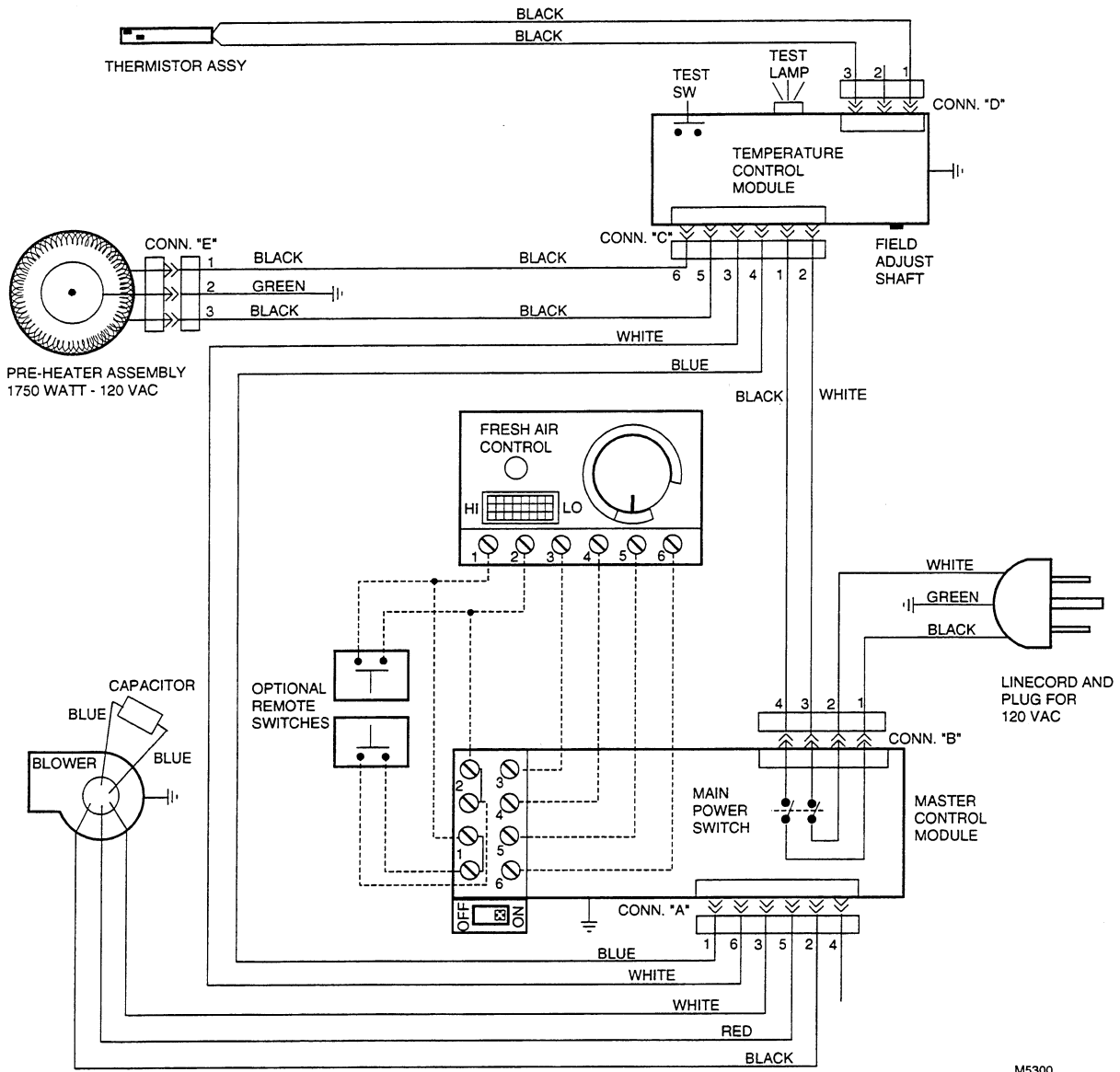
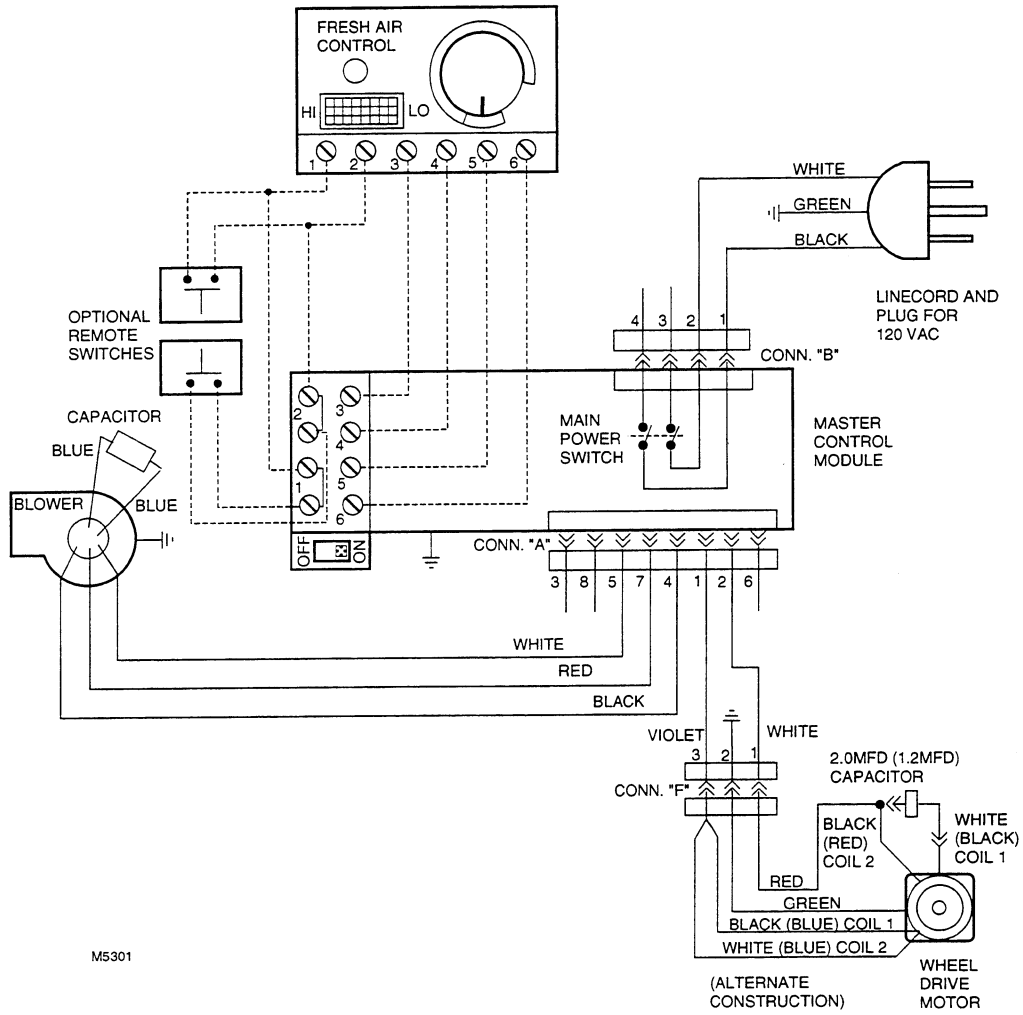


Fig. 13—Wiring ER100 with preheater, line cord and plug.



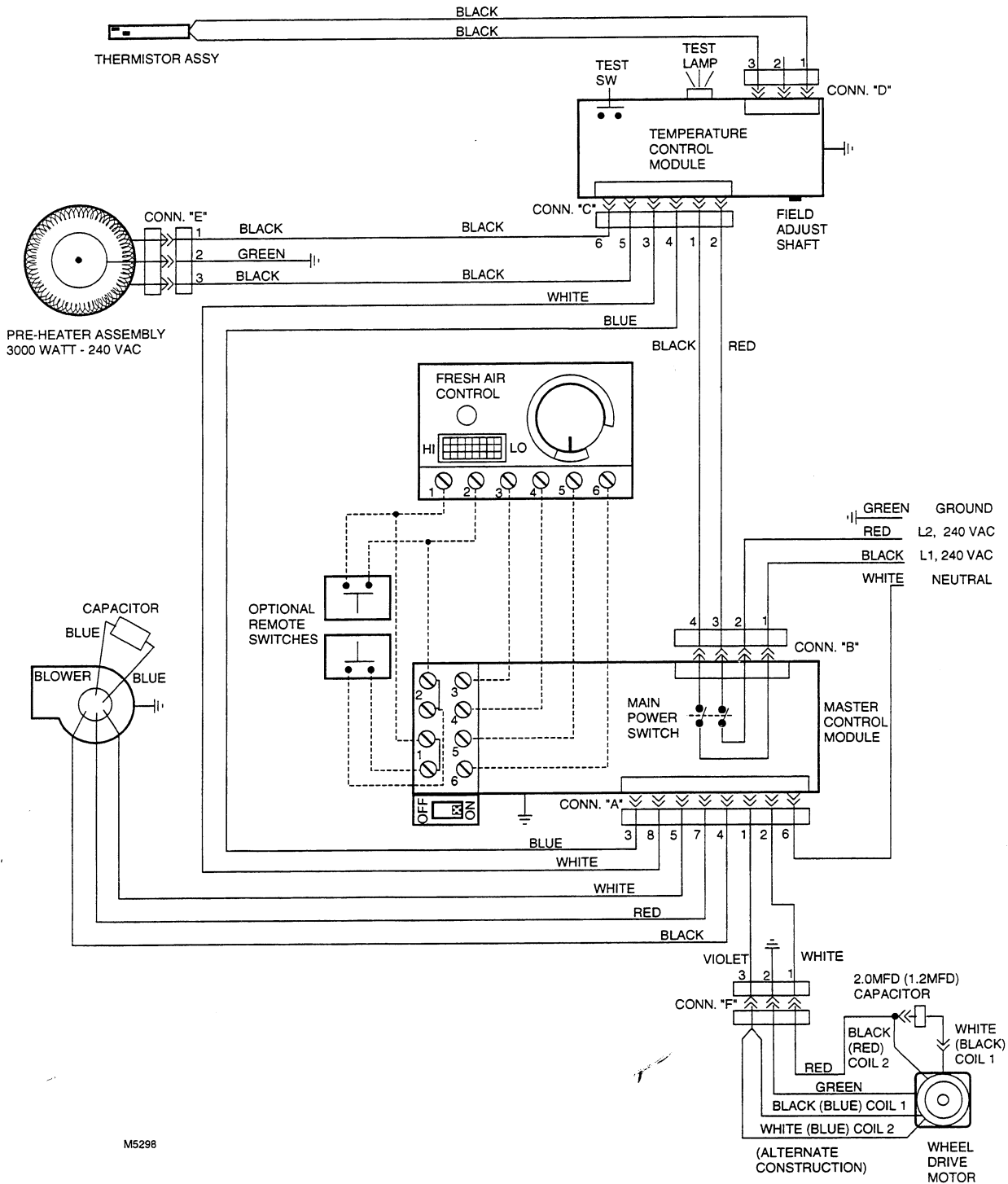
M5300

Fig. 14—Wiring ER200 without preheater, but with line cord and plug.



M5301

Fig. 15—Wiring ER200 with preheater.



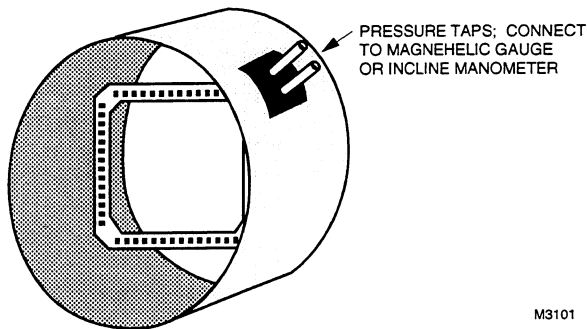
BALANCING AIRFLOWS

Balancing system airflow is important to verify the Home Ventilation System is delivering the intended airflow. Balancing is a good check for duct system blockages, fan operation and that system exhaust and supply pressure are equal.

Honeywell 272672 Airflow Measurement Grid can be mounted in the duct work connected to the Home Ventilation System to balance the airflow. See Fig. 16. Grids can be used temporarily or installed permanently to allow periodic check. A pressure measurement device is connected to the grid to translate into an airflow reading (cfm or L/s) using the table mounted on the grid.

The grids must be used with a pressure measurement device capable of measuring pressures ranging from 0 to 0.25 in. wc (60 Pascal). Use a magnehelic gauge or incline manometer, available from your local wholesaler. A single pressure measurement device can be used to measure airflow in both Home Ventilation System airstreams.

Fig. 16—Airflow measurement grid.



M3101

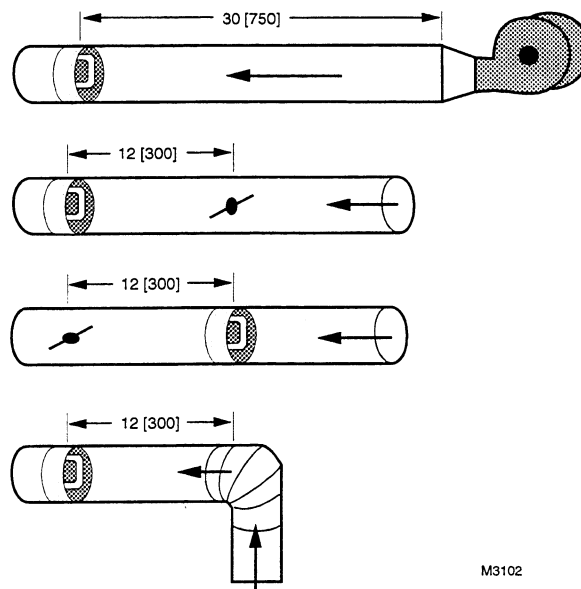
Measuring and Balancing Home Ventilation System Airflows

One or two grids can be installed to take the measurements. When using one, it needs to be moved from exhaust to supply air ducts to get the readings. Use the following procedure to get accurate measurements:

1. Close all doors, windows and any other openings in the building. Exhaust appliances (exhaust fans, furnace, clothes dryer, water heater, etc.) must be off while measuring airflow and balancing the Home Ventilation System.
2. Insert grid in the duct work to be measured. Install so that the arrow on the grid casing points in the direction of the airflow in the duct work. Mount on the warm side of the duct work and so that airflow turbulence from a fan blower, duct elbow or damper is minimized. Turbulence can result in incorrect airflow measurements. See Fig. 17.

NOTE: When using a magnehelic gauge or incline manometer, it must be mounted on a level surface. Incline manometers include a bubble-type level indicator. When unit is level, zero the pressure measuring device. Magnehelic gauges must be lightly tapped to verify pressure reading before making any adjustments or readings.

Fig. 17—Location of airflow grid.



M3102

3. Attach flexible tubing from the low pressure port on the pressure gauge to the downwind tap on the airflow grid.
4. Seal the ductwork using duct tape.
5. Attach tubing from the high pressure tap on the pressure measuring device to the upwind tap on the airflow grid.
6. Turn on airflow and note pressure registering on pressure measurement gauge. If the reading on the pressure measuring device is negative, the pressure connections are reversed and need to be changed.
7. Use the table on the airflow grid or Table 1 to translate the pressure measurement into an airflow reading. See Table 1.

TABLE 1—PRESSURE TO AIRFLOW CONVERSION CHART FOR A SEVEN INCH FLOW GRID.

Pressure (in. wc)	Airflow (cfm (L/s))
0.010	73 (34)
0.015	89 (42)
0.020	103 (48)
0.025	115 (54)
0.030	126 (59)
0.035	136 (64)
0.040	145 (68)
0.045	154 (73)
0.050	162 (76)

(continued)

TABLE 1—PRESSURE TO AIRFLOW
 CONVERSION CHART FOR A SEVEN
 INCH FLOW GRID (Continued)

Pressure (in. wc)	Airflow (cfm (L/s))
0.055	170 (80)
0.060	178 (84)
0.065	185 (87)
0.070	192 (90)
0.075	199 (94)
0.080	205 (97)
0.085	211 (100)
0.090	218 (103)
0.095	223 (105)
0.100	229 (108)
0.105	235 (111)
0.110	240 (113)
0.115	246 (116)
0.120	251 (118)
0.125	256 (121)
0.130	261 (123)
0.135	266 (126)
0.140	272 (128)

NOTE: Check local codes for balancing requirements. Normally the Home Ventilation System is balanced at its highest speed. However some local codes require that the Home Ventilation System be balanced at its normal continuous speed.

8. When the supply air from the Home Ventilation System is connected to the furnace return:

- Balance with the furnace blower *on* if the furnace fan normally runs continuously.
- Balance with the furnace blower *off* if the furnace fan runs only when the heating or cooling are on.

9. Turn Home Ventilation System on. Wait 60 seconds for airflows to stabilize. Record reading in the exhaust air stream.

NOTE: If using a magnehelic gauge, tap lightly before recording reading.

10. Move grid to supply air stream and repeat steps 3-9.

11. To correct imbalance:

- *Airflow is greater in supply air section of Home Ventilation System*—install a damper on the downwind side of the ventilator (warm side) and adjust until airflow is within ± 10 percent of exhaust airflow. See Fig. 18 or 19.
 - When radon control is a concern, balance supply airflow to provide 10-15 cfm [5-8 L/s] more airflow than the exhaust.
- *Airflow is greater in exhaust section of Home Ventilation System*—install a damper on the downwind side of the exhaust blower (cold side) and adjust until airflows are within ± 10 percent. See Fig. 18 or 19.
 - When radon control is a concern, balance so that exhaust is 10-15 cfm [5-8 L/s] less than supply airflow.

After the damper is adjusted and set, cover the damper with insulated ducting and tape.

12. Mark the damper position on the duct for future reference.

13. Place a sticker on the unit and record airflows measured while balancing, name of installer and date for future reference.

Fig. 18—ER90/100 balancing airflow.

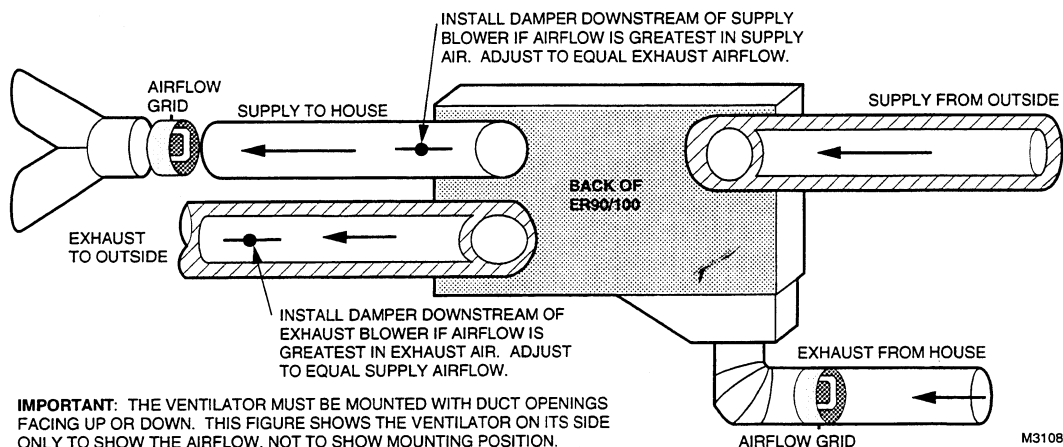
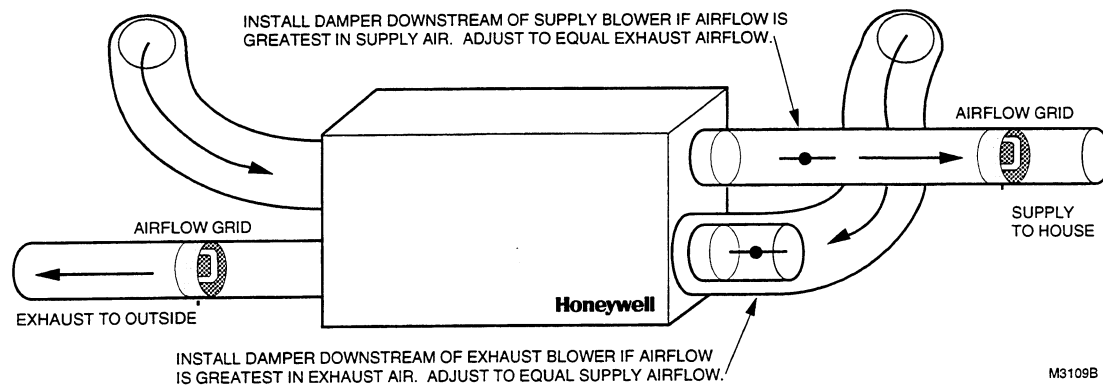


Fig. 19—ER200 balancing airflow.



Startup and Checkout

After the installation is complete and the controls have been wired, make a final check to make certain that all components are working.

1. Open the cabinet door.
2. Turn the master switch on the side of the cabinet to the ON position.
3. Turn on fresh air control to verify airflow and wheel rotation. Operate the control from MAX to MIN to verify decrease in airflow.
4. Activate any line voltage override switch to verify function. Master power switch must be on.
5. For the models equipped with preheat frost control, check out operation of the frost control system by momentarily depressing the press-to-test button located on the top blower plate using a pen or small screwdriver. The neon lamp adjacent to the test button indicates preheater operation.

CAUTION

Press button momentarily to avoid overheating unit. Do not hold down button for more than two seconds. Fresh air filter must be in place. Do not touch heater element.

6. The ON/OFF illuminated rocker switch located on the side of the cabinet should be on at all times except when providing routine maintenance or servicing the unit.

7. A fresh air control located in the ER90/100/200 cabinets or at a remote location turns the unit on and off and allows continuously variable selection of ventilation rates. Airflow rate is determined by the specific application, the number of occupants and the design of the ductwork system. Gradually adjust the airflow rate until the desired comfort level is attained.

Setting Frost Control Temperature



CAUTION

Only an authorized appliance repair or service technician can make adjustments to the frost control preheat temperature.

Preheat temperature is factory set to an inlet air temperature of 10° F [-12° C]. This setting will protect the desiccant coated energy transfer wheel from freezing at indoor relative humidities of up to 40 percent. This setpoint can be changed by rotating the slotted potentiometer extension arm. The arm is accessible at the end of the temperature control module attached to the underside of the top blower plate.

For high indoor humidity conditions such as pool or spa applications and outdoor temperatures at or below 10° F [-12° C], the preheat setpoint can be adjusted to maintain up to 15° F [-9° C] inlet air temperature (suitable for 50 percent indoor RH). This is accomplished by rotating the potentiometer extension arm clockwise to the stop mark at 50 percent, 15° F.

Many buildings require humidifiers to maintain comfortable indoor relative humidities at approximately 30 percent, and many operate throughout the winter season at 20 percent or lower. In these situations, greater energy savings can be attained with lower preheat temperatures. To accomplish this, rotate the field adjustment potentiometer counterclockwise to the stop.

This will establish a 0° F [-18° C] temperature setpoint, which is acceptable when maximum indoor relative humidity will be 20 percent or less.

Operation

The Home Ventilation System has a porous energy transfer wheel that rotates between two counter-flowing airstreams (supply and exhaust). The wheel picks up heat from one side and gives it to the other (cooler) airstream. This causes a temperature gradient through the porous wheel from the warm side to the cool side.

As the cooler airstream passes through the porous wheel, it picks up heat from an increasingly warmer surface. The rotation takes that same surface into the

opposing airstream where the warmer air gradually gives up heat to the increasingly cooler surface of the film. The rotation is constantly regenerating the temperature gradient for maximum efficiency.

The desiccant energy recovery wheel also removes moisture during the rotation. The wheel strips moisture from the incoming warm humid airstream. The moisture is then transferred into the cooler, dryer exhaust air. This eliminates the need for a condensation drain or pan.

Service and Troubleshooting

Frost Control System

Test the frost control system annually before the heating season starts.



WARNING

Press the test button only momentarily—do not hold down more than two seconds. Longer test can cause melting of fusible link in the over temperature safety circuit. If this occurs it will be necessary to replace the heater assembly.

Room Air Filter

Remove and wash this wire mesh filter to assure proper airflow in the unit. Only the ER90/100 have the room air filter.

Fresh Air Filter

Replace the fresh air filter at least twice a year. To remove filter:

1. Unscrew access panel thumbscrews to remove the filter access panel.
2. Slide the fresh air filter out of the Home Ventilation System.
3. Check filter and replace if clogged.
4. Replace the filter access panel on the Home Ventilation System and tighten the thumbscrews.

Weather Caps

Check to ensure that the fresh air inlet and exhaust grilles do not become clogged with debris like grass, leaves and snow.

Energy Transfer Wheel

Check the energy transfer wheel for build-up of dirt and debris.

Note: Energy transfer is not affected by stained surfaces.

REMOVE AND CLEAN THE ER90/100 ENERGY TRANSFER WHEEL

1. Unscrew the screws holding the ventilator door and open the door.
2. Take out the center divider.
3. Loosen screw in center of wheel hub cap.
4. Rotate hub cap counterclockwise and remove.
5. Grasp hub with two fingers and take straight off the drive shaft.

IMPORTANT: *Lift only by the hub.*

6. Spray the energy transfer wheel thoroughly with household spray cleaner (Fantastic™ or equivalent). Rinse with warm water. Use a soft brush to remove stains between the plastic windings. Shake excess water from the wheel.
7. Replace the wheel on the drive shaft.

NOTE: Rotate the wheel counterclockwise until the pin in the shaft has engaged in the slot in the bottom of the hub. The end of the drive shaft and the face of the hub will be flush.

8. Put hub cap back on, rotate in clockwise direction and tighten screw.
9. Reinstall the center divider.
10. Close the ventilator door and tighten the screws.

REMOVE AND CLEAN THE ER200 ENERGY TRANSFER WHEEL

1. Unscrew the screws holding the ventilator door and open the door.
2. Take out the center divider.
3. Remove the belt from the rim of the wheel.
4. Unscrew the screw in the center of the hub.
5. Use the rim of the wheel and lift the wheel straight off the drive shaft.
6. Spray the energy transfer wheel thoroughly with household spray cleaner (Fantastic™ or equivalent). Rinse with warm water. Use a soft brush to remove stains between the plastic windings. Shake excess water from the wheel.
7. Replace the wheel on the drive shaft.
8. Replace and tighten the screw in the center of the hub.
9. Place the belt back on the wheel.
10. Reinstall the center divider.
11. Close the ventilator door and tighten the screws.

Belt Drives

If the blower is operating (air coming out of fresh air vent) but energy transfer wheel does not rotate, check the pulley system. Replace broken or stretched belts.

NOTE: ER90/100 will require removing the energy transfer wheel to check the pulley system.

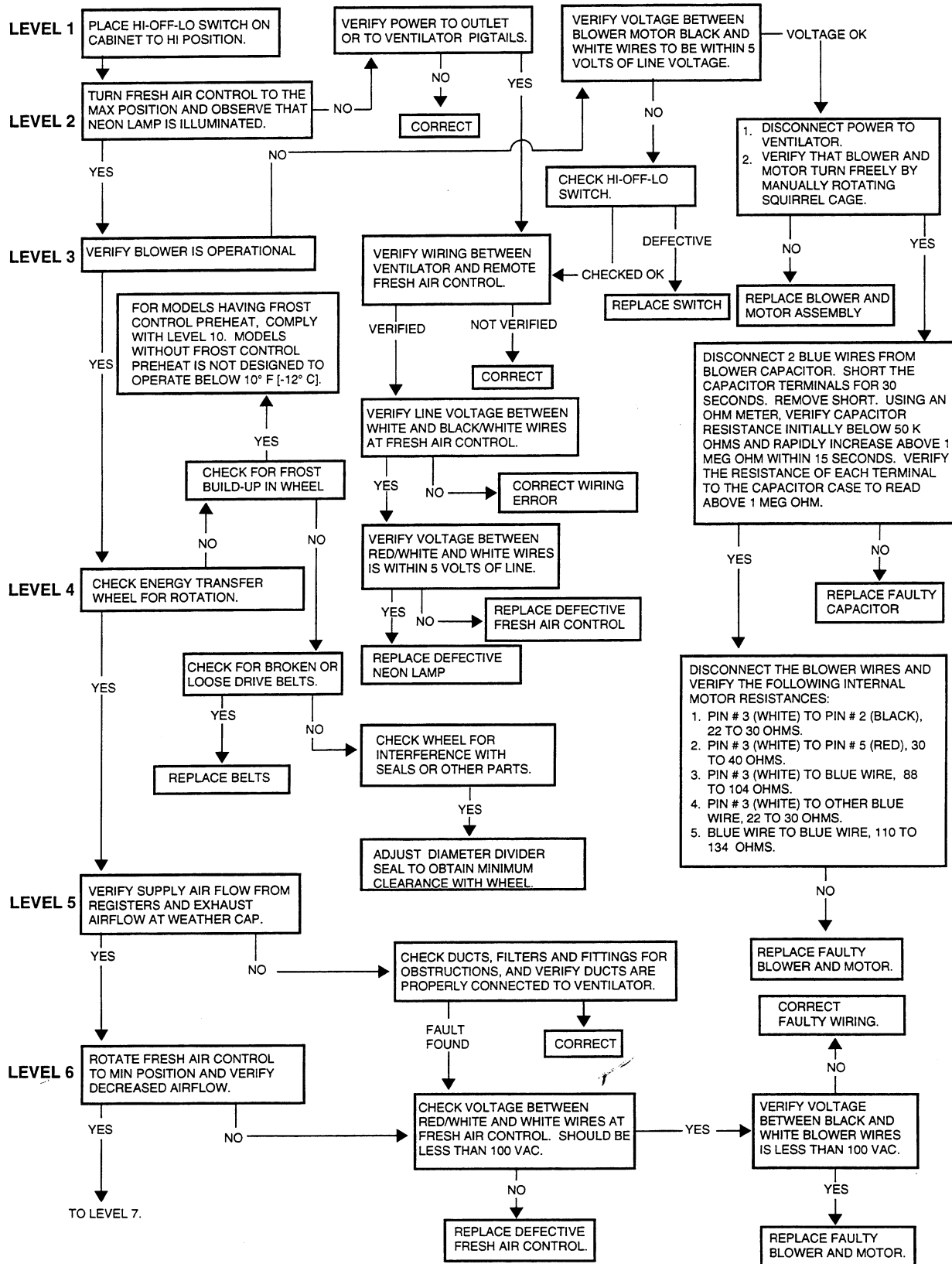
If the blower fails to operate with the master switch in the ON, HI or LO position and the Fresh Air Control on, check circuit breakers in house electrical panel. If power is supplied to unit but blower does not operate, contact your local HVAC contractor.

Troubleshooting

All required maintenance and repair can be accomplished by HVAC service personnel or appliance repair persons.

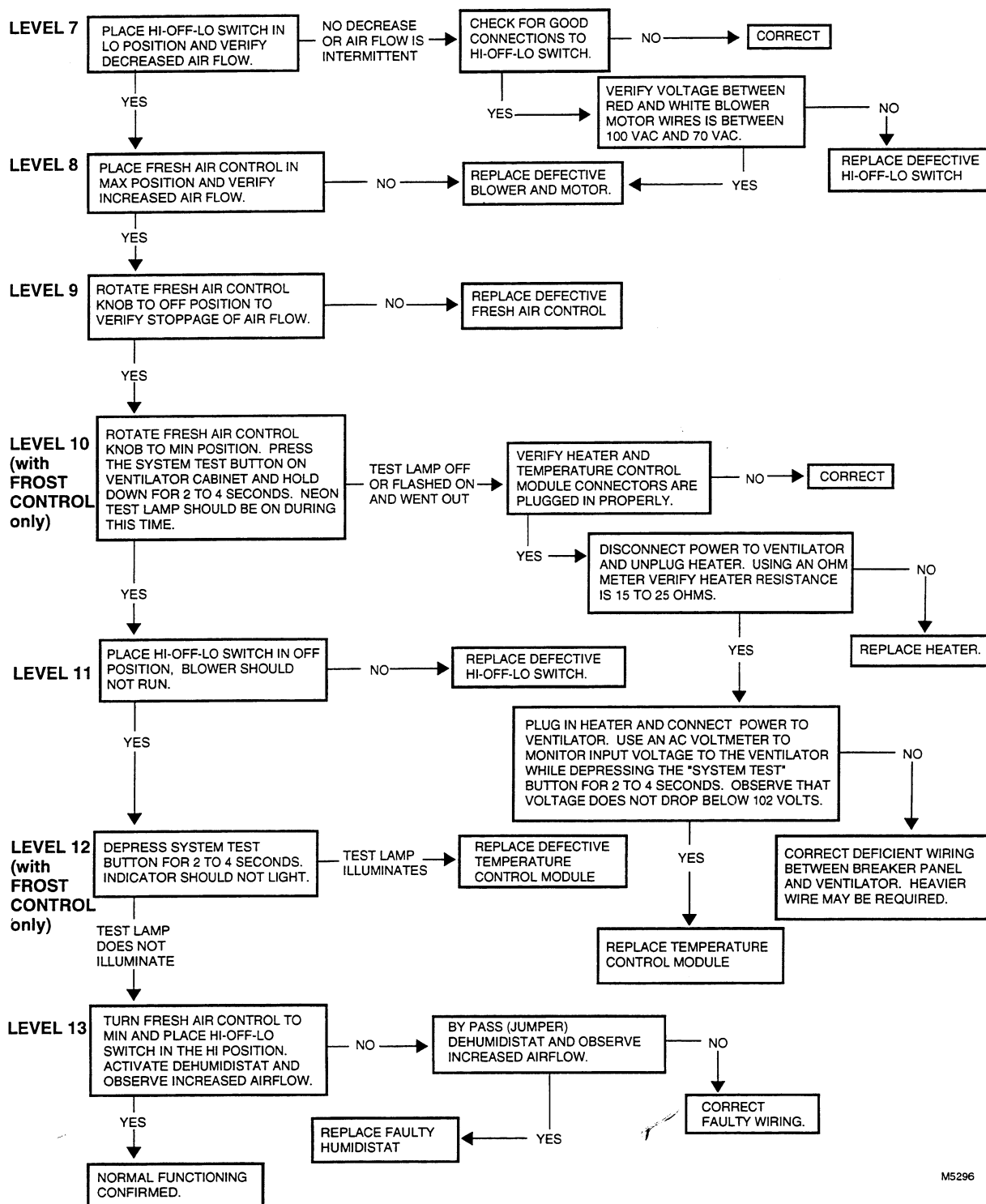
Use the following Troubleshooting Charts to help identify problems and their causes. Start at Level 1 and proceed vertically downward through each level. If a negative response is obtained, proceed through the steps in that level as directed until the fault is found and is corrected. Continue until completed. This systematic diagnosis will provide a thorough inspection and checkout of the Home Ventilation System, both electrically and mechanically.

Fig. 20—ER90 System check and troubleshooting procedures for Levels 1 through 6.



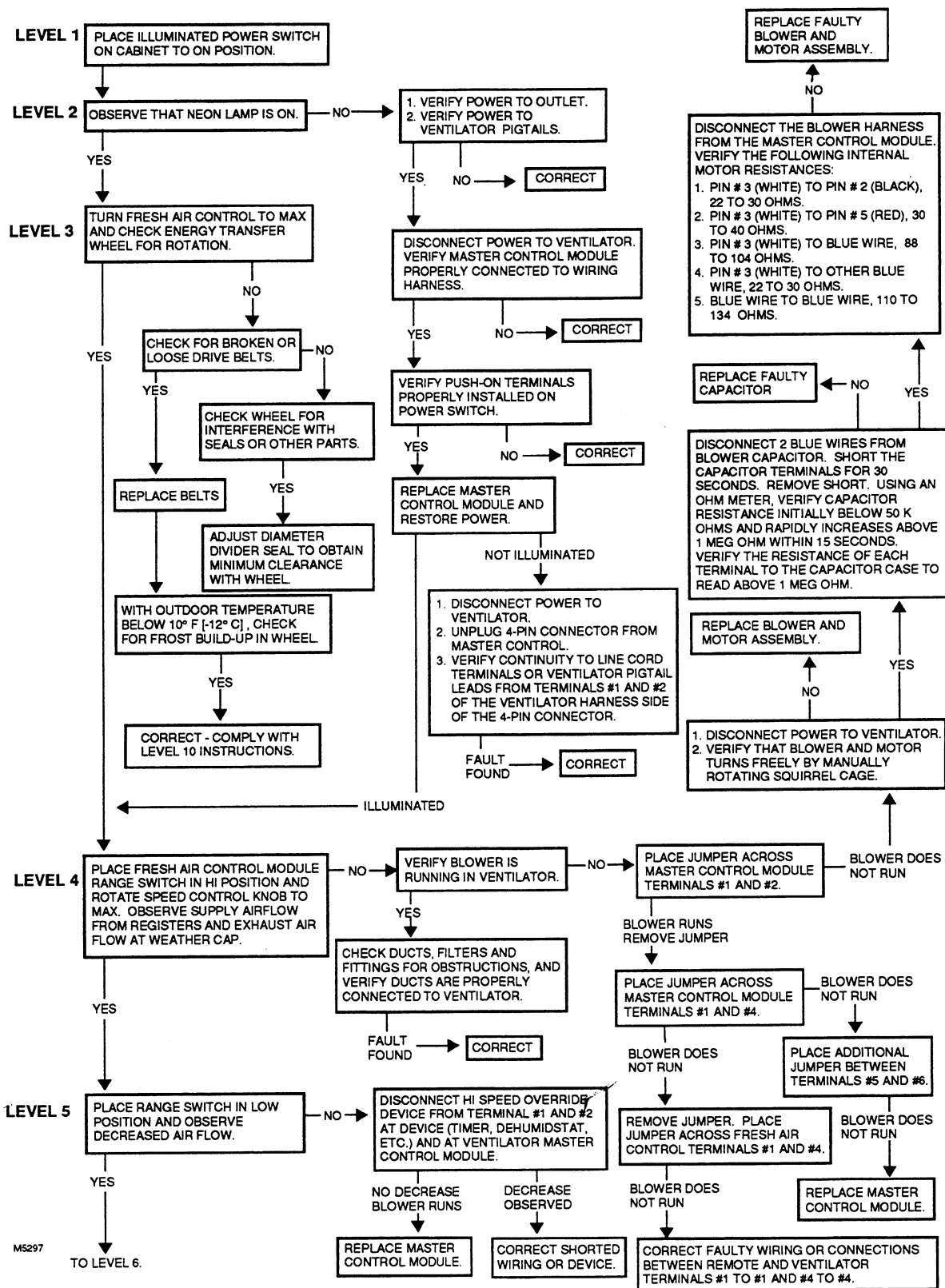
M5295

Fig. 21—ER90 System check and troubleshooting procedures for Levels 7 through 13.



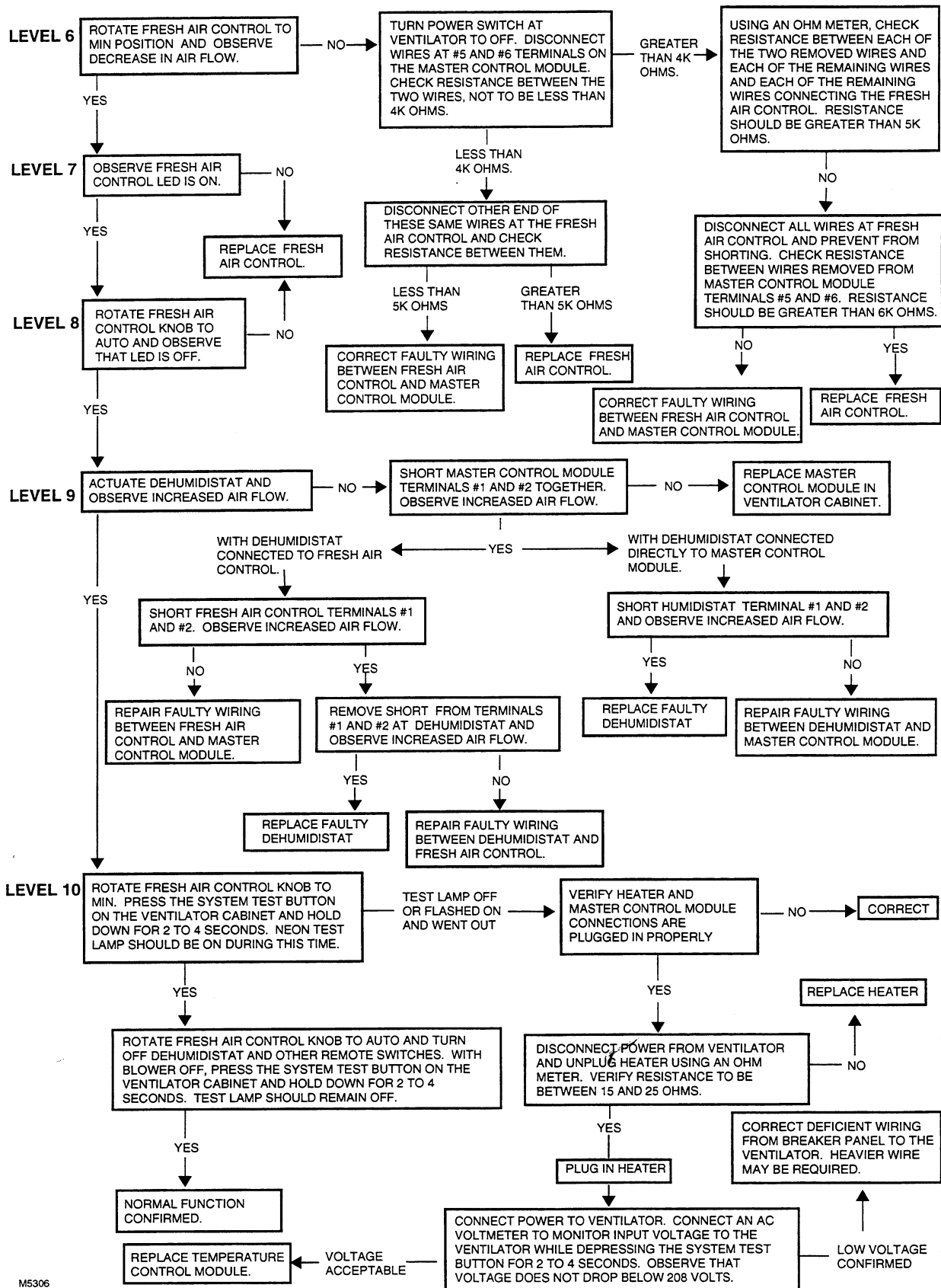
M5296

Fig. 22—ER100 System check and troubleshooting procedures for Levels 1 through 5.



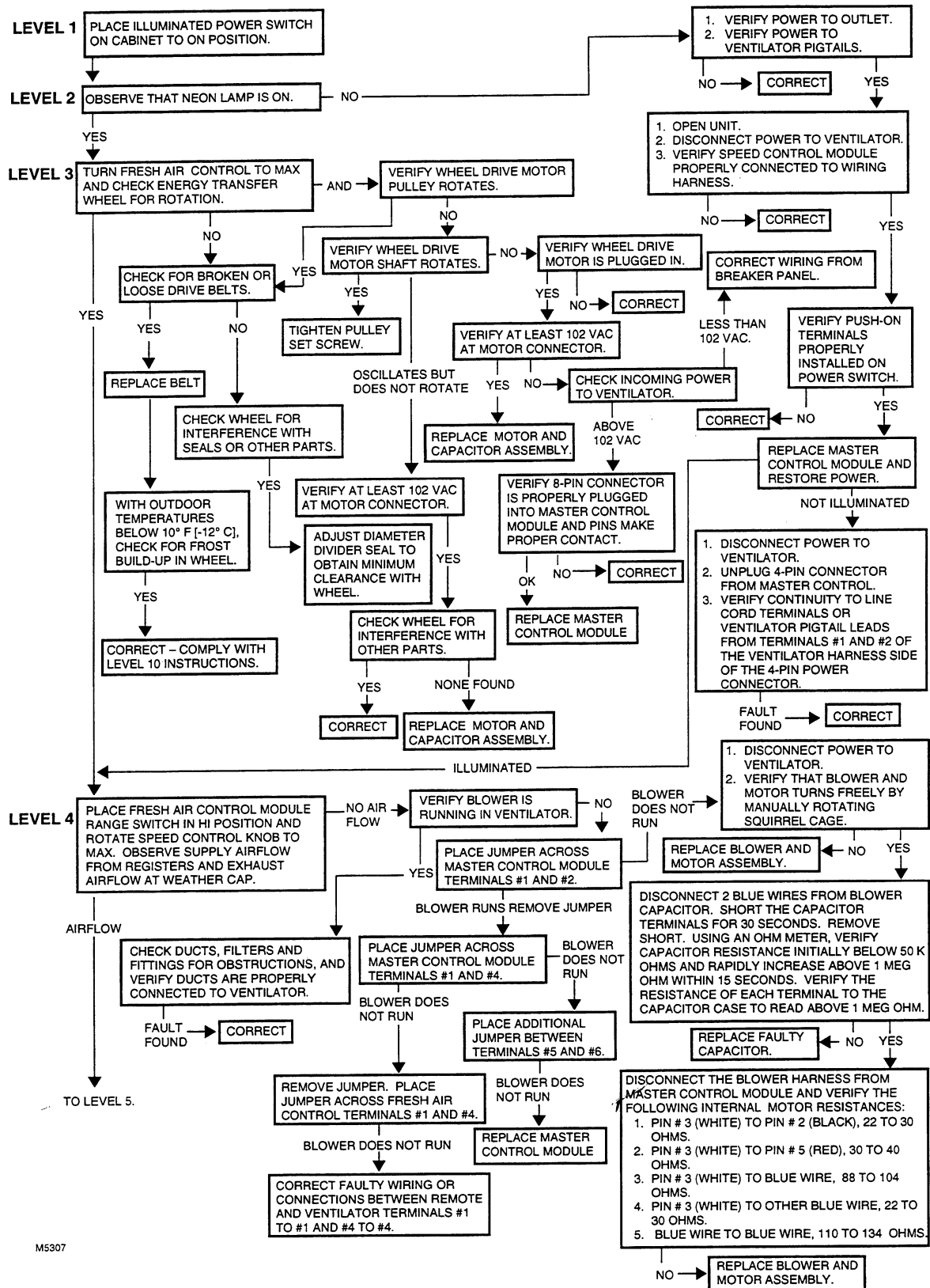
M5297

Fig. 23—ER100 System check and troubleshooting procedures for Levels 6 through 10.



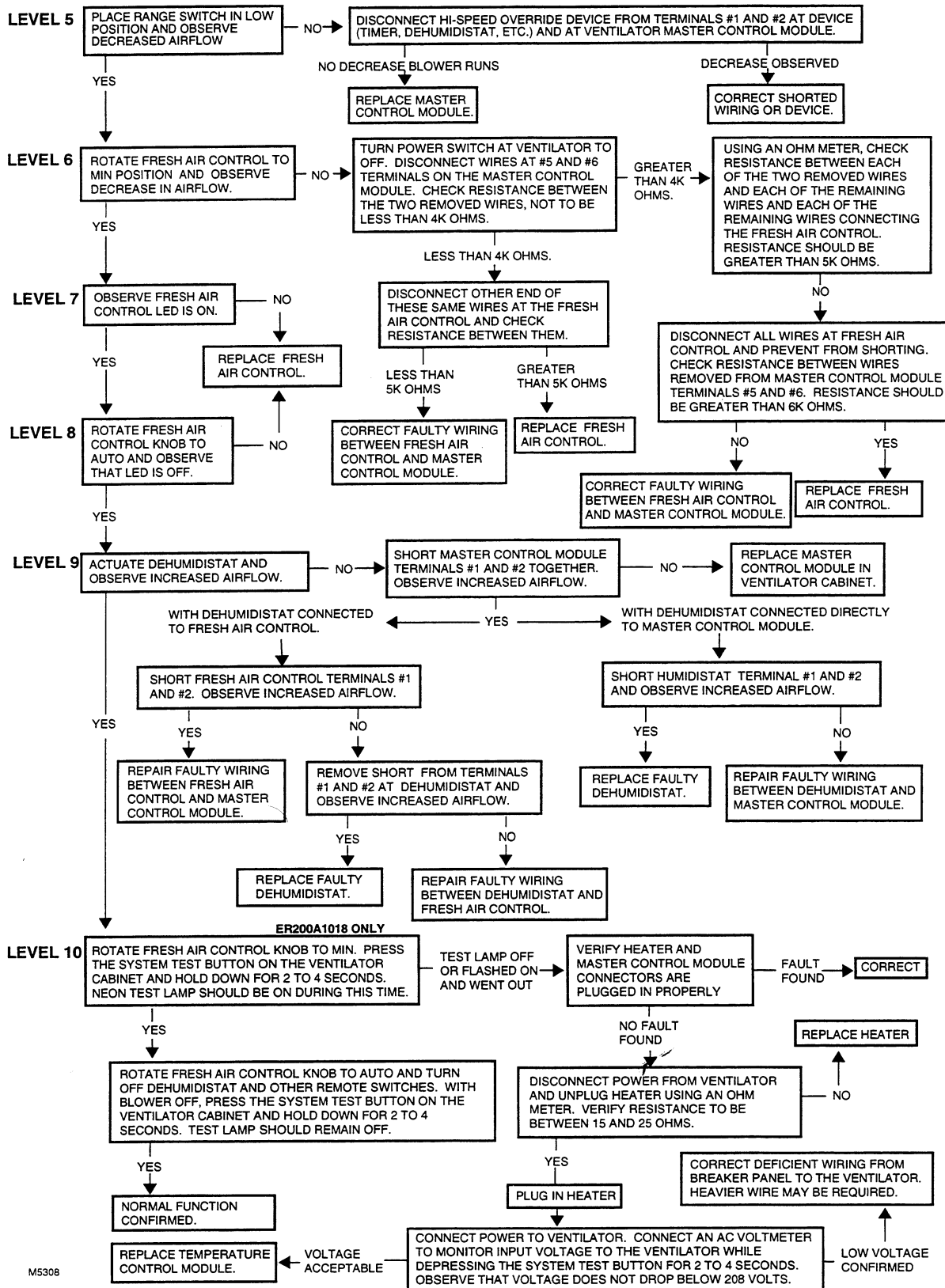
M5306

Fig. 24—ER200 System check and troubleshooting procedures for Levels 1 through 4.



M5307

Fig. 25—ER200 System check and troubleshooting procedures for Levels 5 through 10.



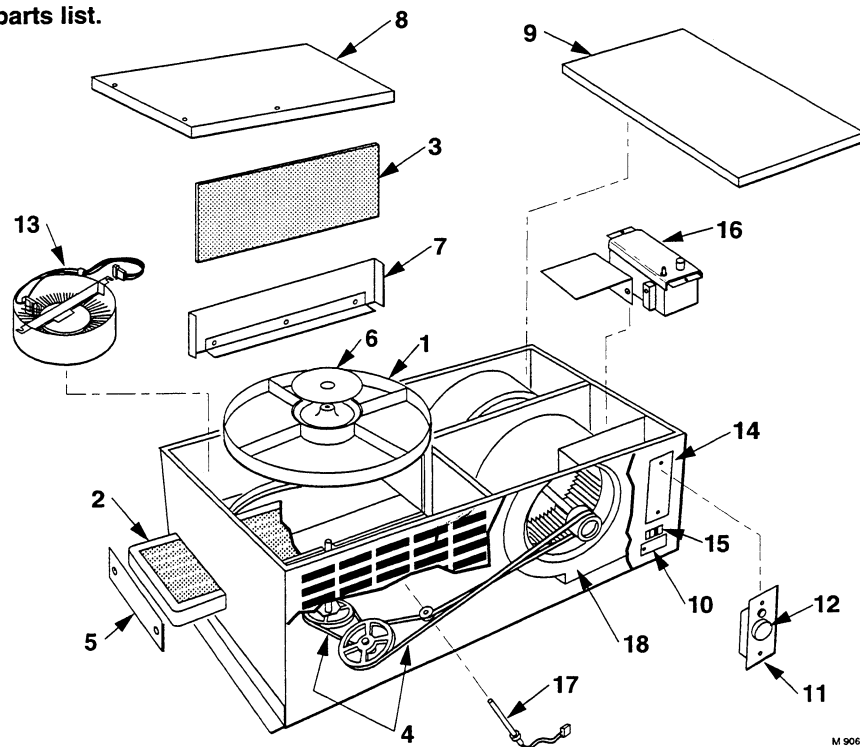
M5308

Replacement Parts List ER90

Item No.	Description	Part Number	
		Without Preheater Frost Control	With Preheater Frost Control
1	Desiccant Energy Transfer Wheel	272677	272677
1a	Sensible Energy Transfer Wheel	272676	272676
2	Fresh Air Intake Filter	272682	272682
3	Room Air Filter	272684	272684
4	Drive Belt Set	272685	272685
5	Fresh Air Filter Access Panel	272686	272686
6	Transfer Wheel Hub Cap	272687	272687
7	Diameter Divider and Seal	272688	272688
8	Cabinet Door	272689	272689
9	Fresh Air Blower Cover (with screws)	272745	272778
10	AC Wiring Box Access Cover	272694	272694
11	Fresh Air Control	272740	272740
12	Fresh Air Control Knob	272713	272713
13	Frost Control Preheater	N/A	272736
14	Airflow Speed Control Cover Plate	272747	272747
15	On/Off Power Switch	272779	272779
16	Temperature Control Module	N/A	272705
17	Thermistor Assembly	N/A	272707
18	Blower and Motor (with capacitor)	272777	272777

PARTS NOT ILLUSTRATED: 272682B—12 Pack of Fresh Air Intake Filters, 272692—Cover Thumbscrews, 272709—Blower Motor Capacitor, 272749—Filter Clip.

Fig. 26—ER90 exploded view.
Part numbers are keyed to parts list.

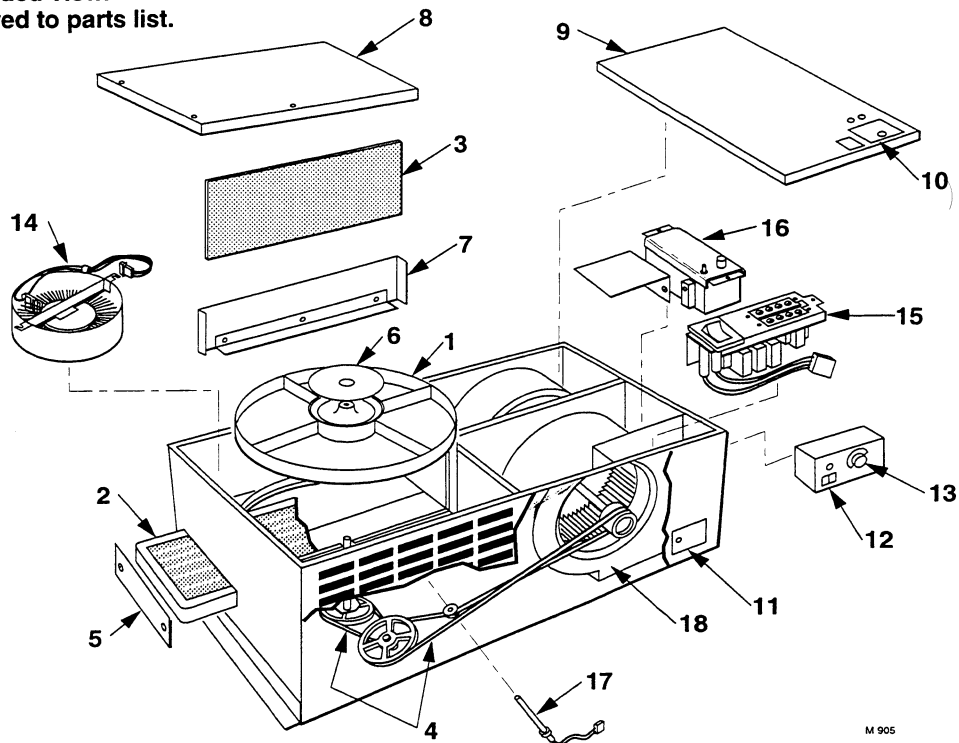


Replacement Parts List ER100

Item No.	Description	Part Number		
		120 Vac Model Without Preheater Frost Control	120 Vac Model With Preheater Frost Control	240 Vac Model With Preheater Frost Control
1	Desiccant Energy Transfer Wheel	272677	272677	272677
1a	Sensible Energy Transfer Wheel	272676	272676	272676
2	Fresh Air Intake Filter	272682	272682	272682
3	Room Air Filter	272684	272684	272684
4	Drive Belt Set	272685	272685	272685
5	Fresh Air Filter Access Panel	272686	272686	272686
6	Transfer Wheel Hub Cap	272687	272687	272687
7	Diameter Divider and Seal	272688	272688	272688
8	Cabinet Door	272689	272689	272689
9	Fresh Air Blower Cover (with screws)	272691	272690	272690
10	Master Control Module Access Cover	272693	272693	272693
11	AC Wiring Box Access Cover	272694	272694	272694
12	Fresh Air Control	272695	272695	272695
13	Fresh Air Control Knob	272697	272697	272697
14	Frost Control Preheater	N/A	272736	272700
15	Master Control Module	272701	272701	272702
16	Temperature Control Module	N/A	272705	272706
17	Thermistor Assembly	N/A	272707	272707
18	Blower and Motor (with capacitor)	272777	272777	272777

PARTS NOT ILLUSTRATED: 272692—Cover Thumbscrews, 272704—Dehumidstat, 272709—Blower Motor Capacitor, 272763—Line Cord and Plug.

Fig. 27—ER100 exploded view.
Part numbers are keyed to parts list.

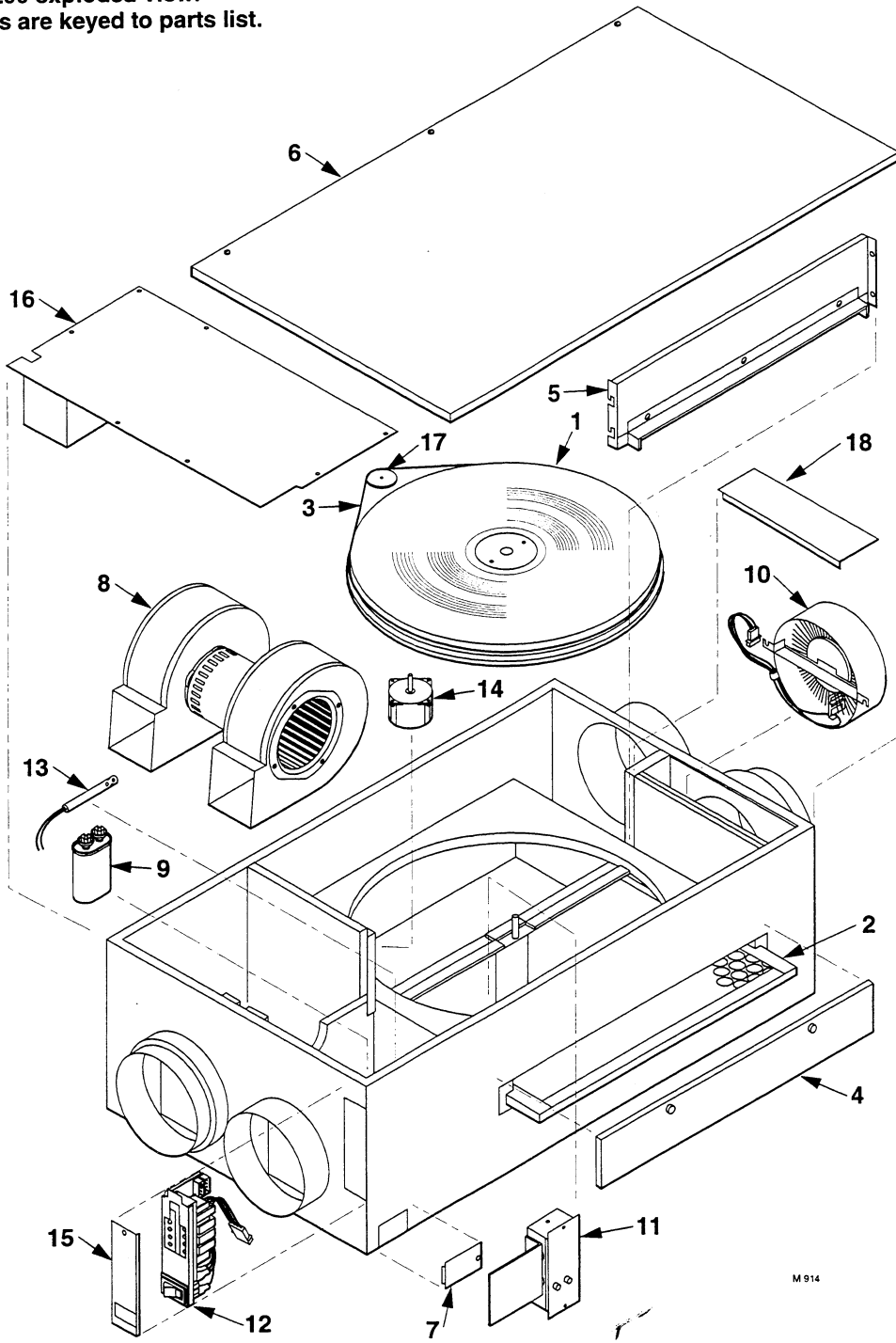


Replacement Parts List ER200

Item No.	Description	Part Number	
		Without Preheater Frost Control	With Preheater Frost Control
1	Desiccant Energy Transfer Wheel	272750	272750
1a	Sensible Energy Transfer Wheel	272751	272751
2	Fresh Air Intake Filter	272737	272737
3	Wheel Drive Belt	272754	272754
4	Fresh Air Filter Access Panel	272755	272755
5	Diameter Divider and Seal	272757	272757
6	Cabinet Door	272758	272758
7	AC Wiring Box Access Cover	272694	272694
8	Blower and Motor (with capacitor)	272761	272761
9	Blower Motor Capacitor	272762	272762
10	Frost Control Preheater	N/A	272700
11	Temperature Control Module	N/A	272706
12	Master Control Module	272738	272739
13	Thermistor Assembly	N/A	272768
14	Wheel Drive Motor (with capacitor)	272767	272767
15	Control Module Cover Plate	272780	272780
16	Blower Chamber Cover	272781	272781
17	Wheel Drive Pulley	272782	272782
18	Heater Chamber Cover	272783	272783

PARTS NOT ILLUSTRATED: 272682B—12 Pack of Fresh Air Intake Filters, 272692—Cover Thumbscrews, 272695—Airflow Speed Control, 272749—Filter Clip, 272763—Line Cord and Plug, 272770—Wheel Drive Motor Capacitor.

Fig. 28—ER200 exploded view.
Part numbers are keyed to parts list.



Honeywell

Home and Building Control
Honeywell Inc.
1985 Douglas Drive North
Golden Valley, MN 55422

Home and Building Control
Honeywell Limited—Honeywell Limitée
740 Ellesmere Road
Scarborough, Ontario
M1P 2V9

Helping You Control Your World



QUALITY IS KEY

Printed in U.S.A.

Systemes de Ventilation Résidentiels ER90/100/200

Les Systemes de ventilation résidentiels ER90/100/200 apportent de l'air frais dans la maison tout en récupérant jusqu'à 85 pour cent de l'énergie requise pour réchauffer ou refroidir l'air évacué. Ils représentent une solution efficace aux problèmes de pollution de l'air intérieur et du maintien de l'humidité au niveau désiré.



ER90/ER100



ER200

- Ventilation adéquate permettant aux entrepreneurs de se conformer à la norme ASRAE 62-89
- Diminution de la charge des installations de conditionnement d'air de 0,4 tonne pendant la période de climatisation.
- Réglage à distance du système à partir d'un endroit commode.
- Roue de transfert d'énergie qui récupère la chaleur et l'humidité.
- Certains modèles sont munis d'un dispositif de préchauffage, automatique et économique, qui chauffe l'air frais lorsque la température descend à -34°C [-29°F] ou -40°C [-40°F].
- Boîtier en acier résistant.
- Aucune condensation - ne nécessite pas de drain.
- Rend l'utilisation d'un humidificateur inutile ou peu nécessaire.
- Évacuation de 70 à 250 pi^3/min d'air vicié et apport d'une quantité égale d'air frais.
- Ventilateur à vitesse variable.
- Transfert d'énergie latente et sensible pouvant atteindre 85 pour cent.
- Filtre à air permanent (lavable).
- Lubrification permanente du ventilateur et des roulements à billes.

TABLE DES MATIÈRES

<i>Fiche Technique</i>	2
<i>Pour Commander</i>	2
<i>Planification</i>	4
<i>Installation</i>	6
<i>Démarrage et Vérification</i>	14
<i>Fonctionnement</i>	15
<i>Maintenance et Vérification</i>	15
<i>Pièces de Rechange</i>	23

Fiche Technique

IMPORTANT: Les caractéristiques énoncées dans la présente publication n'englobent pas les tolérances normales de fabrication. Par conséquent, le rendement de l'appareil peut ne pas correspondre exactement à celui indiqué et varier quelque peu si les conditions d'emploi diffèrent de celles, très strictes, dans lesquelles l'appareil a été testé.

MODÈLE: Systèmes de ventilation résidentiels ER90/100/200 - avec roue de transfert d'énergie, filtres, ventilateur, moteur d'entraînement de la roue de chauffage et régulateur de vitesse. Certains modèles sont munis d'un dispositif de protection contre le gel; d'un module de régulation de la température et d'un thermistor.

COULEUR: Blanc.

CARACTÉRISTIQUES ÉLECTRIQUES

NOMINALES:

Tension et fréquence: 120 V c.a., 60 Hz ou 240 V c.a.,

60 Hz.

Courant maximal:

Sans dispositif de protection contre le gel:

ER90/100: 1,3 A.

ER200: 2,2 A.

Avec dispositif de protection contre le gel:

ER90: 15,9 A à 120 V c.a.

ER100: 15,9 A à 120 V c.a.; 13,8 A à 240 V c.a.

ER200: 14,7 A à 240 V c.a.

DÉBIT D'AIR

ER90/100: 30 à 85 L/s [70 à 185 pi³/min].

ER200: 40 à 120 L/s [80 à 250 pi³/min].

EFFICACITÉ: 75 à 85 pour cent.

TEMPÉRATURE DE FONCTIONNEMENT MINIMALE

- EXTÉRIEUR:

Sans dispositif de protection contre le gel

120 V c.a. - 1° C [- 5° F].

Avec dispositif de protection contre le gel

ER90: -29° C [-20° F].

ER 100:

120 V c.a., - 29° C [- 20° F].

240 V c.a., - 40° C [- 40° F].

ER 200: 240 V c.a., - 34° C [- 29° F].

ENCOMBREMENT:

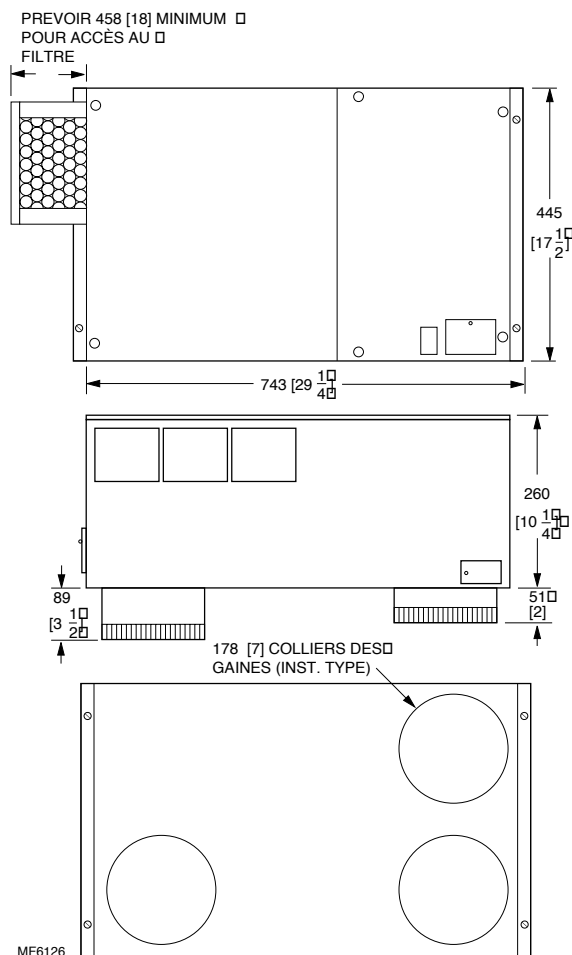
ER90/100: Voir la Fig. 1.

ER200: Voir la Fig. 2.

INSTALLATION:

Ce système de ventilation s'installe dans un endroit conditionné, comme le sous-sol, la salle de chauffage, un corridor ou un placard. Il peut également être installé dans le grenier si l'endroit

Fig. 1—Encombrement en mm (po)—Modèles ER90/100.



Pour Commander

Pour commander un produit de remplacement ou de modernisation au distributeur de produits autorisé, fournir le numéro de commande complet qui se trouve dans le catalogue Tradeline ou dans le tarif.

Prière d'adresser par écrit ou par téléphone toute question, demande de renseignements ou remarque sur les produits ou les services à l'un des endroits suivants :

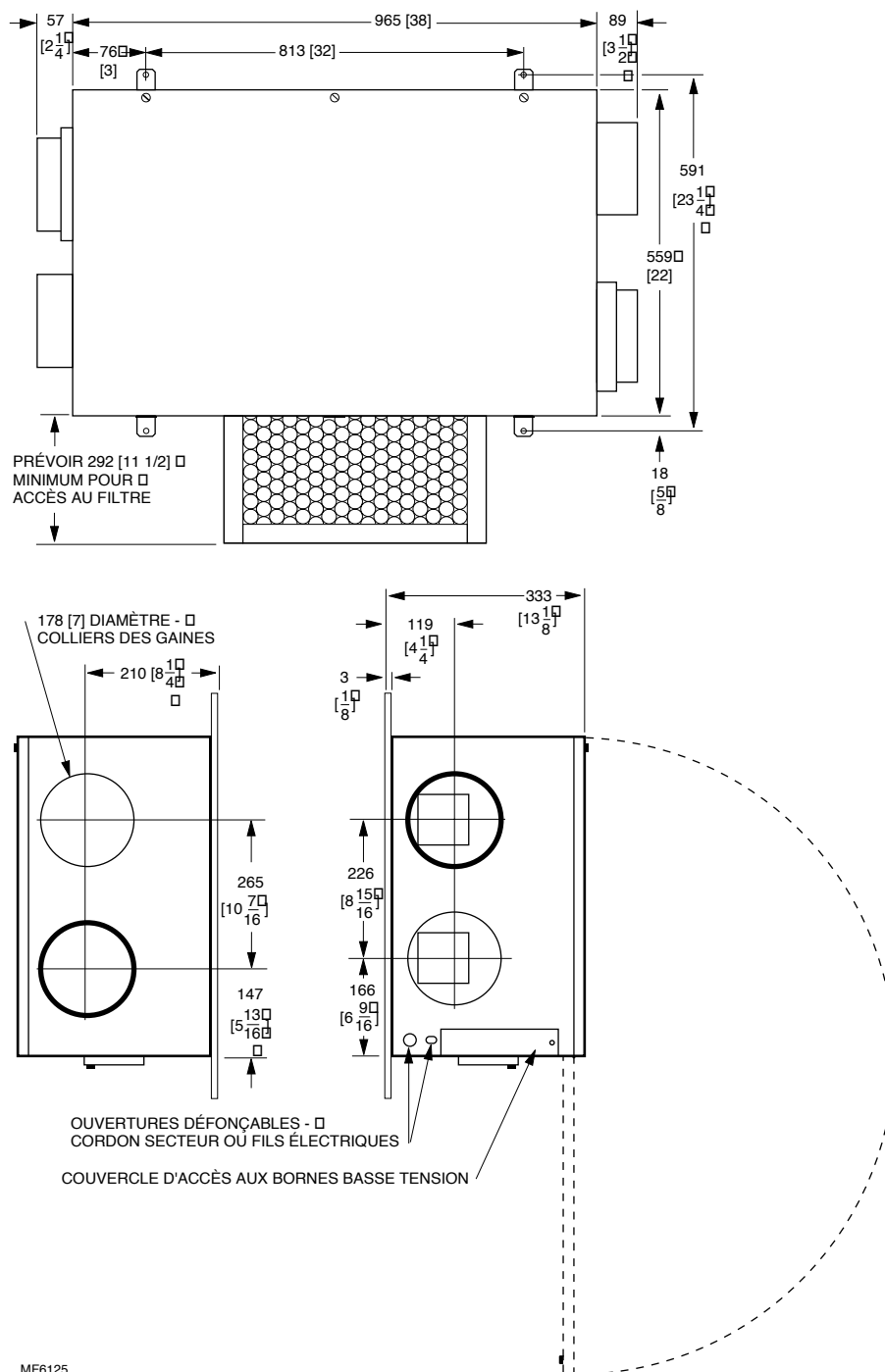
- Bureau des ventes de produits résidentiels Honeywell de votre région (voir les pages blanches de l'annuaire téléphonique)
- Home and Building Control Customer Satisfaction
Honeywell Inc., 1885 Douglas Drive North
Minneapolis, Minnesota 55422-4386 (612) 951-1000.

Au Canada: Honeywell Limitée, 740 Ellesmere Road, Scarborough (Ontario) M1P 2V9. Points de vente et de service dans la plupart des grandes villes du monde. Usines en Allemagne, en Australie, au Canada, en Espagne, aux États-Unis, en Finlande, en France, au Japon, au Mexique, aux Pays-Bas, à Taiwan et au Royaume-Uni.

est conditionné.
HOMOLOGATIONS:
 Répertoire Underwriters Laboratories, Inc.
 Rendement certifié CSA.
 Rendement certifié Home Ventilation Institute.
POIDS UNE FOIS INSTALLÉ:
 ER90/100:
 Poids net: 21 kg [47 lb].

Poids à l'expédition: 26 kg [58 lb].
ER200:
 Poids net: 34 kg [74 lb].
 Poids à l'expédition: 44 kg [98 lb].
ACCESSOIRES:
 272672 Grille d'équilibrage de 7 po de diamètre.
 272673 Couverture anti-intempérie de 7 po.
 272674 ER90/100 - Gaine de reprise d'air.

Fig. 2—Encombrement en mm (po)—Modèle ER200.



MF6125

Planification

APPLICATION

Le système de ventilation résidentiels est conçu de façon à évacuer l'air vicié et à apporter de l'air frais. L'air frais est aspiré par le ventilateur, puis distribué dans la maison. L'air vicié passe par le ventilateur et est ensuite évacué à l'extérieur. Les gaines entre le ventilateur et l'extérieur et dans les endroits non conditionnés doivent être isolées. Voir les Fig. 3 ou 4.

TYPE D'INSTALLATION ET EMPLACEMENT

Les ventilateurs ER 90/100/200 peuvent être suspendus aux solives, au plafond ou au plancher, au plancher d'un placard ou dans la salle de chauffage, permettant ainsi la pose de gaines entre les solives. La prise d'air frais doit être située à 2 m (6 pi) ou plus de la sortie d'air vicié pour éviter que l'air vicié n'entre de nouveau dans la maison. Voir les Fig. 3 ou 4, selon de modèle à installer.

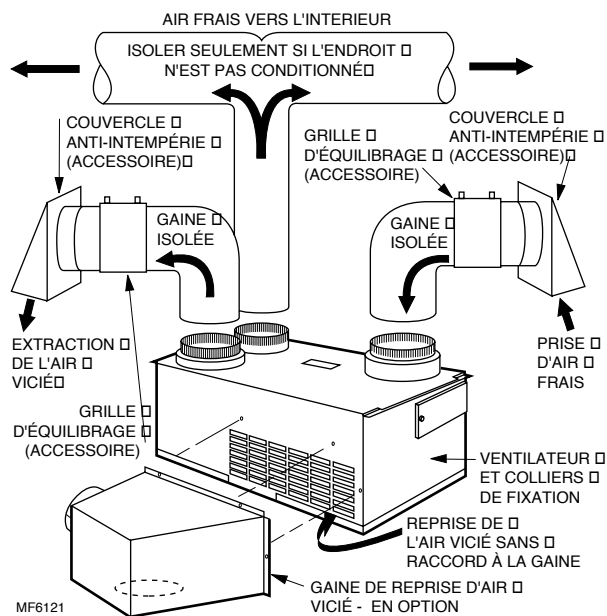


AVERTISSEMENT

Les ouvertures des gaines sur les modèles ER90 et ER100 doivent être placées vers le haut ou vers le bas pour empêcher le gauchissement de la roue.

REMARQUE: Si le ventilateur est installé dans un endroit non conditionné, l'entourer d'un châssis isolant.

Fig. 3— Composants d'un système type—
Modèles ER90 et ER100.



PROTECTION CONTRE LE GEL

Les modèles ER90/100/200 120 V c.a. sont recommandés si la température extérieure ne descend pas plus bas que -15°C [5°F]. Dans les régions plus froides, utiliser le modèle avec dispositif de préchauffage pour éviter la formation de gel dans le ventilateur. Voir la Fig. 5.

REMARQUE: Pour les piscines, les spas et autres endroits humides, un modèle avec dispositif de préchauffage est recommandé si la température extérieure descend sous -9°C [-15°F].

GAINES

Les gaines entre le système de ventilation résidentiels et l'extérieur doivent être isolées et être munies d'un coupe-vapeur continu. Voir la Fig. 6. Les gaines d'admission d'air frais qui vont du ventilateur à la pièce doivent être isolées seulement si l'endroit n'est pas conditionné, c'est-à-dire non chauffé ou non climatisé.



MISE EN GARDE

Toutes les sorties extérieures doivent être installées au-dessus de la ligne prévue de neige et être munies d'un couvercle anti-intempérie avec grillage.

La conception et l'installation du système de gaines doivent être conformes aux normes en matière de conditionnement d'air afin d'assurer la distribution du volume d'air frais requis dans une pièce à ambiance réglée et l'extraction vers l'extérieur d'une quantité équivalente d'air.

Les gaines d'entrée et d'évacuation d'air doivent être courtes et comporter le moins de coudes possible.

1. Choisir des gaines pouvant maintenir 0,2 po CE.
2. Utiliser des gaines de 7 po de diamètre pour les raccords qui vont au ventilateur et ceux qui partent du ventilateur.
3. L'apport d'air frais doit être suffisant pour assurer une ventilation efficace. À l'extérieur, laisser un espace d'au moins 2 m (6 pi) entre la prise d'air et la sortie.

REMARQUE:

- Éviter que de l'air frais ne souffle directement sur les personnes au repos ou sur le thermostat.
- Éviter de placer une prise d'air frais près de sources de pollution connues comme le tuyau d'échappement des voitures, l'évent d'une sécheuse ou la fumée d'une cheminée.

4. La conduite d'alimentation d'air frais peut être raccordé directement à la conduite de reprise d'un système de chauffage à air pulsé ou d'un système de conditionnement d'air. Cela permet de distribuer

**Fig. 4—Composants d'un système type—
Modèle ER200.**

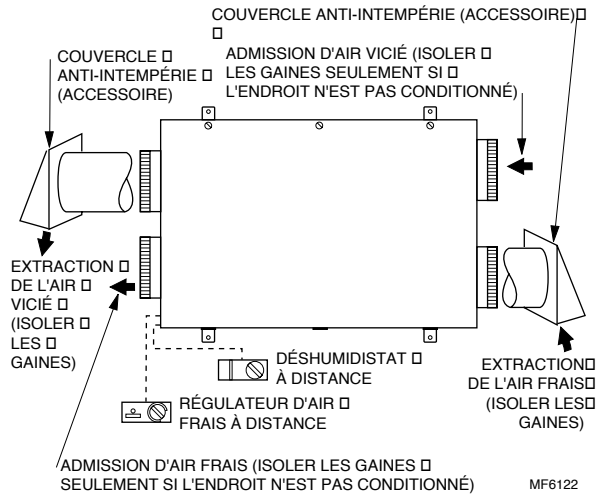
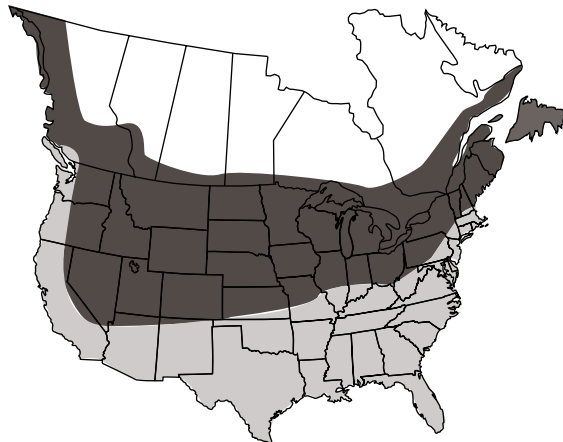


Fig. 5—Régions où il faut choisir un système avec dispositif de protection contre le gel.

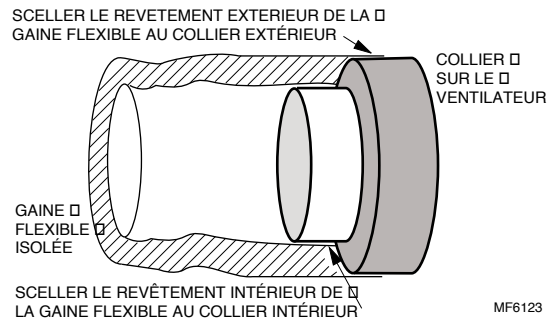


- UTILISER UN SYSTÈME SANS DISPOSITIF DE PROTECTION CONTRE LE GEL.
- UTILISER UN SYSTÈME AVEC DISPOSITIF DE PROTECTION CONTRE LE GEL JUSQU'À -29°C [-20°F].
- UTILISER UN SYSTÈME AVEC DISPOSITIF DE PROTECTION CONTRE LE GEL JUSQU'À -40°C [-40°F].

efficacement l'air frais et de réduire sensiblement les coûts d'installation.

REMARQUE: Lorsqu'il y a des occupants dans l'immeuble, le fonctionnement en continu des systèmes ER90/100/200 est recommandé. Lorsque l'appareil de traitement d'air du système de chauffage à air pulsé fonctionne, l'air est distribué par les registres du système de chauffage ou de conditionnement d'air. Lorsque l'appareil de traitement d'air ne fonctionne pas, l'air frais est distribué aussi bien par les bouches d'admission d'air que par celles de reprise d'air.

Fig. 6—Scellage des bouts des gaines isolées.



5. Utiliser un registre automatique ou à verrouillage électrique pour empêcher l'admission d'air extérieur lorsque les systèmes de ventilation ER90/100/200 ne fonctionnent pas et que l'appareil de traitement d'air du système à air pulsé est en marche.

ÉQUILIBRAGE DU DÉBIT D'AIR

L'équilibrage du débit d'air est important car c'est la façon de vérifier si le système de ventilation distribue la quantité d'air prévue et donne un rendement efficace. Consulter les instructions relatives au réglage du débit d'air à la section Installation.

RÉGULATEURS

Fonctions de dérogation à distance

S'il n'est pas nécessaire d'assurer une ventilation continue, utiliser un régulateur tout ou rien tension secteur comme un déshumidistat, une minuterie ou un détecteur de présence. Si la fonction principale du ventilateur est la régulation de l'humidité tout en assurant une ventilation continue, l'humidistat peut être utilisé comme commande prioritaire de sélection de la vitesse. (Voir le schéma de raccordement en clientèle.)

RÉGULATION DE L'HUMIDITÉ

Pour réduire la pollution de l'air intérieur et assurer la régulation de l'humidité, faire fonctionner le système de ventilation de façon continue. La régulation de l'humidité sera plus efficace si le débit de renouvellement d'air du ventilateur est réglé au maximum. Ce type de réglage est recommandé pour une construction neuve, car il permet d'éliminer l'excès d'humidité provenant du bois neuf, du plâtre, du béton et d'autres matériaux de construction à haute teneur en humidité. Si le ventilateur est relié à un déshumidistat, le taux d'humidité sera maintenu automatiquement aux niveaux pré-réglés. Pour résoudre un grave problème d'humidité, remplacer la roue hygroscopique par une roue de transfert d'énergie sensible.

PROTECTION CONTRE LE GEL

Certains modèles sont munis d'un dispositif de préchauffage automatique, installé en usine, qui empêche la température de l'air à l'entrée de descendre

sous -12° C [10 °F]. Ce dispositif permet de maintenir ce niveau jusqu'à une température extérieure de -29° C [-20° F] et une humidité relative intérieure de 40 pour cent. Le voyant à côté du bouton d'essai s'allume lorsque le dispositif de préchauffage fonctionne ou lorsque le bouton est enfoncé.

IMPORTANT: Relâcher le bouton d'essai dès que le voyant s'allume. Le fait d'appuyer sur le bouton d'essai plus longtemps peut causer une surchauffe du ventilateur.

Installation

POUR INSTALLER LE SYSTÈME DE VENTILATION

1. Lire attentivement les instructions. Ne pas les suivre pourrait endommager le système de ventilation ou constituer un danger.
2. Vérifier les caractéristiques spécifiées dans les instructions et sur les ventilateurs ER90/100/200 et s'assurer de la bonne utilisation de ces appareils.
3. L'installation doit être faite par un technicien d'expérience ayant reçu une formation pertinente.
4. Une fois l'installation terminée, vérifier le fonctionnement de l'appareil comme indiqué aux présentes instructions.



AVERTISSEMENT

Couper l'alimentation électrique avant de procéder à l'installation de manière à éviter les chocs électriques et à ne pas endommager le matériel.

DÉBALLAGE DU SYSTÈME DE VENTILATION

S'assurer que tous les composants sont dans l'emballage. Le système de ventilation est expédié assemblé. Il comprend:

- un boîtier peint et des colliers de fixation.
- un régulateur d'air frais à vitesse variable.
- un déshumidistat (sur certains modèles).
- un dispositif de préchauffage intégré (sur certains modèles).
- ER90/100: quatre courroies de montage;

ER200: deux courroies de montage.

- la quincaillerie nécessaire à l'installation.
- la documentation pertinente.

Lorsque vous recevez le système de ventilation résidentiel, il est prêt à être installé. Seuls du fil électrique et des gaines sont nécessaires pour compléter l'installation. Avant de commencer, vérifiez si vous avez tout le matériel dont vous avez besoin.

RÉVISION DE L'INSTALLATION

Placer le boîtier sur le plancher dans sa position d'installation. Découper le gabarit imprimé sur l'emballage. À l'aide de ce dernier, déterminer où installer les courroies de montage. Avant de commencer, s'assurer d'avoir les gaines et les accessoires nécessaires.

INSTALLATION DES MODÈLES ER90/100 (Pour l'installation du modèle ER200, consulter la section INSTALLATION DU MODÈLE ER200)

Ventilateur suspendu aux solives

1. Bien clouer, à l'endroit indiqué 1, deux courroies en métal (fournies dans l'emballage) sur la face interne de deux solives, espacées de 815 mm [32 po] de centre à centre. Chaque paire de courroies doit être espacée de 400 mm (15 7/8 po) de centre à centre et être perpendiculaire à l'autre paire. Laisser pendre les quatre courroies.

2. Enfoncer partiellement quatre clous sur la face externe des mêmes solives, en les opposant à chacun des autres clous. Choisir des clous assez gros pour soutenir le ventilateur et dont la tête peut passer dans le trou des courroies.

3. Soulever le ventilateur en position. Insérer deux courroies dans les fentes des supports de montage. Placer le support à environ 200 mm [8 po] sous les solives, replier les courroies vers le haut et par-dessus la tête du clou sur la face extérieure de la même solive.

4. Asseoir le ventilateur sur les courroies attachées. Insérer les deux autres courroies dans le support de montage à l'autre bout. Procéder comme à l'étape 3, en maintenant le ventilateur suspendu à 200 mm environ [8 po] sous les solives.

5. Fixer les gaines aux colliers de fixation. Poser du ruban sur tous les joints. Voir la Fig. 6.

6. Élever ou abaisser le ventilateur pour le placer à la hauteur voulue. Visser les courroies extérieures aux solives.

REMARQUE: L'utilisation de vis facilitera le désassemblage du ventilateur, le cas échéant.

Installation en saillie au plafond ou au plancher

1. Repérer deux solives distantes de 815 mm [32 po] sur lesquelles le ventilateur sera installé.

2. À l'aide du gabarit imprimé, tracer et découper une ouverture de 230 mm x 230 mm [9 po x 9 po] dans le plafond ou le plancher. L'un des côtés doit être en ligne avec l'intérieur d'une solive. La gaine d'admission d'air frais passera par cette ouverture. L'un des bouts du ventilateur sera fixé à la solive.

3. À l'aide du gabarit imprimé, tracer et découper une ouverture de 230 mm x 381 mm [9 po x 15 po] aux endroits indiqués pour la gaine de prise d'air frais et la gaine d'évacuation d'air vicié.

4. Insérer une clavette de 50 mm x 75 mm x 460 mm [2 po x 3 po x 18 po] dans l'ouverture et la clouer à la

solive pour qu'elle serve d'appui à la surface de montage et pour y visser les vis de montage du ventilateur.

5. À l'aide du gabarit imprimé, choisir l'emplacement et percer quatre avant-trous pour visser les vis n° 14 x 50 mm [2 po]. Le ventilateur peut maintenant être installé.

INSTALLATION AU PLAFOND

Suspendre temporairement le ventilateur pour faire les raccordements des gaines en suivant les étapes ci-dessous:

1. Clouer à la clavette et à la solive trois fils à suspendre standard de 810 mm [24 po]. Laisser pendre les fils.

2. Étirer les bouts des gaines de prise d'air frais, de distribution d'air frais et d'évacuation de l'air vicié pour les insérer dans les ouvertures prévues. Voir la Fig.3.

3. Suspendre le ventilateur sous les ouvertures. Glisser les deux fils attachés à la clavette dans les fentes du support de montage. Plier les fils vers le haut, à l'extérieur du support de montage. Torsader les fils de manière à suspendre le ventilateur à 8 po sous les ouvertures.

4. Insérer les fils au bout de la prise d'air frais du ventilateur au centre du trou du support de montage. Continuer l'installation en répétant l'étape 3 ci-dessus.

5. Raccorder les trois gaines à leur collier respectif. Poser du ruban sur tous les joints pour éviter les fuites. Voir la Fig. 6.

6. Visser deux vis de montage dans les avant-trous percés dans la clavette, à 6 mm [1/4 po] du plafond.

7. Tout en soutenant le ventilateur, couper deux des trois fils de manière qu'ils soient égaux au plafond. Enlever la partie fixée au plafond et au support de montage. Soulever le ventilateur et faire glisser les deux fentes dans le support de montage sous les têtes des joints plats à demi installés.

8. Couper et retirer le troisième fil. Soulever le ventilateur jusqu'au plafond. Visser deux vis dans les trous de montage dans la solive. Bien serrer les vis pour un ajustement serré entre le plafond et les joints plats du ventilateur.

INSTALLATION AU PLANCHER

1. À l'aide de cales, soulever suffisamment le ventilateur pour pouvoir procéder au raccordement des gaines. Poser du ruban sur les joints. Voir la Fig. 6.

2. Fixer le ventilateur au plancher en vissant deux vis dans les avant-trous percés dans la clavette, jusqu'à 6 mm (1/4 po) du plancher.

3. Faire glisser les deux fentes dans le support de montage sous les têtes des joints plats à demi installés.

4. Visser deux vis dans les trous de montage dans la solive. Bien serrer les quatre vis pour un ajustement serré entre le plancher et les joints plats du ventilateur.

INSTALLATION DU MODÈLE ER200

Ventilateur suspendu

1. Attacher les deux courroies de montage au bas du boîtier au moyen de quatre vis à métal n° 10-24 x 1/

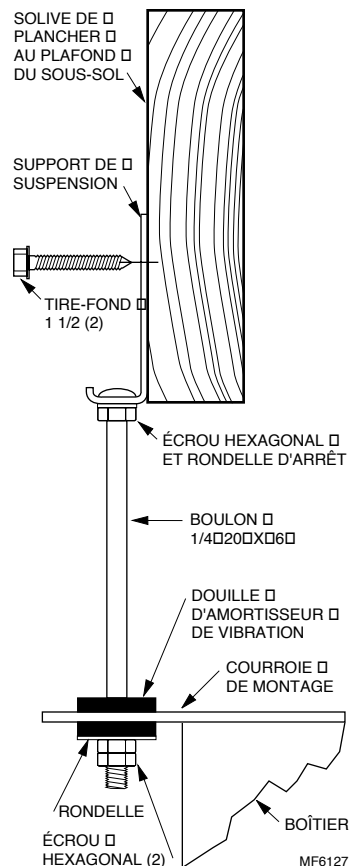
2 po à tête ronde et quatre rondelles à denture intérieure n° 10 fournies dans l'emballage.

2. Fixer deux supports de suspension à la solive. Voir la Fig. 7. Espacer les supports de 25 1/4 po, de centre à centre. Les visser au moyen de deux tire-fond de 1 1/2 po.

3. Visser les deux autres supports à la solive de façon que chaque paire de supports soit espacée de 32 po, de centre à centre, et soit perpendiculaire l'une par rapport à l'autre.

4. Insérer une rondelle d'arrêt et un écrou hexagonal dans chacun des quatre boulons de 6 po. Visser chaque écrou jusqu'à 1/2 po de la tête.

Fig. 7—Installation type d'un ventilateur suspendu au plafond du sous-sol par quatre boulons de suspension (un seul boulon illustré).



5. Insérer les boulons dans les douilles des courroies de montage et les faire tenir au moyen de deux écrous hexagonaux. Voir la Fig. 7.

6. Soulever le boîtier et faire passer la tête des boulons par-dessus le rebord du support pour insérer la tige du boulon dans les fentes du support. Bloquer les écrous et les rondelles d'arrêt sur la partie inférieure de chaque support. Le boîtier est maintenant en place et les gaines peuvent y être raccordées.

Installation au mur

1. Attacher les deux courroies de montage au bas du boîtier au moyen de quatre vis à tête ronde n° 10-24 x 1/2 po et quatre rondelles à denture intérieure n° 10 fournies dans l'emballage.

2. Insérer un manchon en acier dans chacune des douilles des courroies de montage. Voir la Fig. 8. Une fois le ventilateur placé horizontalement, ces douilles seront espacées de 32 po, de centre à centre, et pourront être fixées aux montants des murs qui sont espacés de 16 po, de centre à centre. Pour certains types d'installation, il faut utiliser une planche de fixation.

3. Placer le boîtier à l'endroit voulu et le fixer avec quatre tire-fond n° 12 x 1 1/2. Le ventilateur est maintenant en place et les gaines peuvent y être raccordées.

RACCORDEMENT

Matériel en option installé en clientèle

Certains modèles sont offerts avec un interrupteur principal lumineux et un régulateur tension secteur d'interruption et de réglage de la vitesse du débit d'air frais.

Le régulateur d'air frais à vitesse variable du modèle ER90 peut être installé sur le boîtier du ventilateur ou à distance.

Pour l'installer sur le boîtier, retirer le couvercle inférieur d'accès aux composants électriques et visser le régulateur avec les mêmes vis.

Les régulateurs à distance comme un déshumidistat ou une minuterie peuvent prendre priorité sur l'interrupteur ON/OFF ou sur le sélecteur de vitesse du régulateur d'air frais. Il existe différentes façons de raccorder les régulateurs à distance. Voir les Fig. 9 à 15. Pour qu'un régulateur prenne priorité, utiliser n'importe quel interrupteur (5A, 120 V c.a.) et procéder comme suit :

1. Priorité sur la commande de vitesse du régulateur d'air frais: utiliser les connexions JAUNE et ROUGE. L'interrupteur auxiliaire ne prendra pas priorité sur la position OFF de la commande de vitesse.

2. Priorité sur la commande de vitesse et la position OFF du régulateur d'air frais : utiliser les connexions NOIR et ROUGE. L'interrupteur auxiliaire prendra priorité même si la commande de vitesse est à la position OFF. Ce type d'installation est utilisé pour les sorties de salles de bain, car la commande automatique à distance est possible même lorsqu'il n'y a pas de ventilation continue.

ÉQUILIBRAGE DU DÉBIT D'AIR

L'équilibrage du débit d'air est important car c'est la façon de vérifier si le système de ventilation distribue la quantité d'air prévue. L'équilibrage permet également de voir si le système de gaines est obstrué, si le ventilateur fonctionne bien et si la pression à la sortie et celle à l'admission sont égales.

Pour équilibrer le débit d'air, utiliser les grilles de mesure de débit d'air 272672 de Honeywell, qui peuvent être montées dans les gaines relié au ventilateur. Voir la Fig. 16. Les grilles peuvent être

Fig. 8—Installation type d'un ventilateur au mur avec quatre tire-fond (un seul tire-fond illustré).

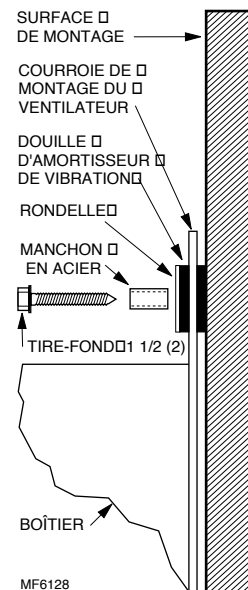


Fig. 9—Schéma de raccordement du modèle ER90, sans dispositif de préchauffage.

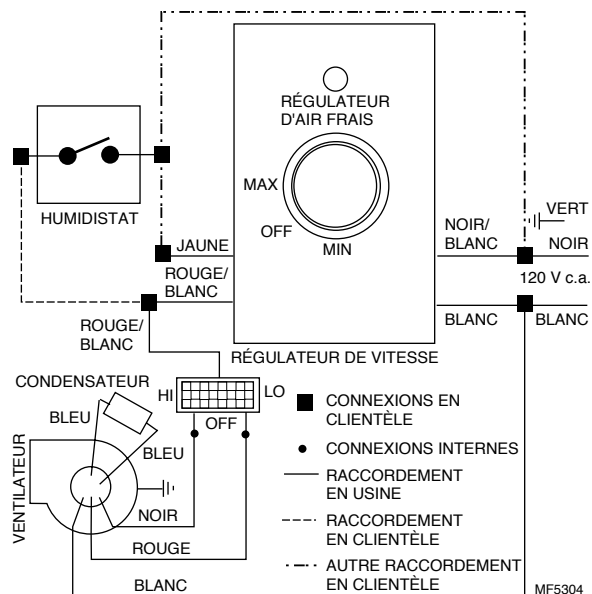


Fig. 10—Schéma de raccordement du modèle ER90, avec dispositif de préchauffage.

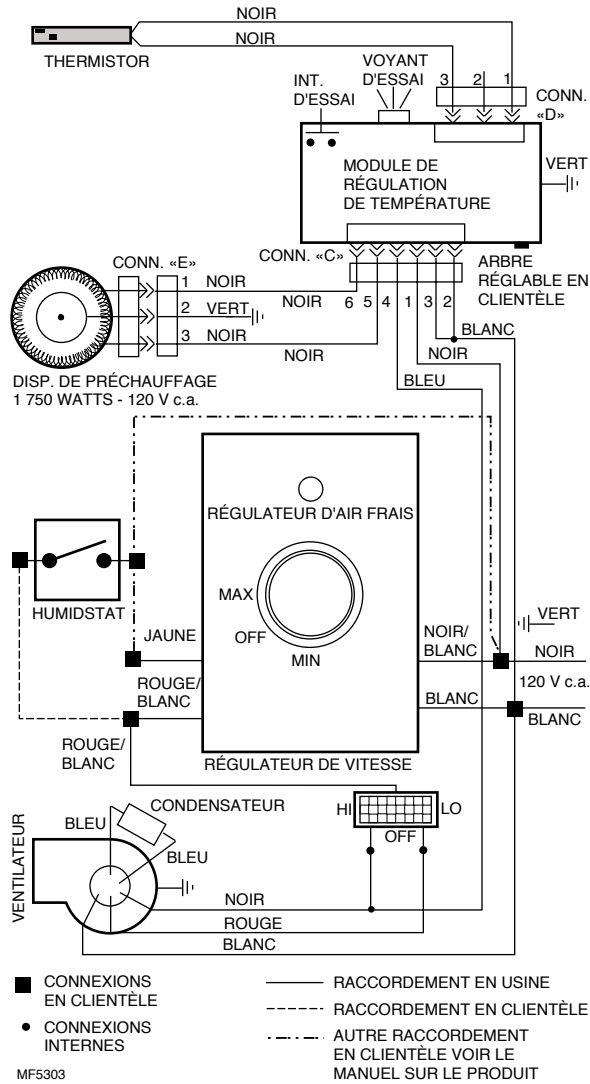


Fig. 11—Schéma de raccordement du modèle ER100, sans dispositif de préchauffage, mais avec cordon d'alimentation et prise.

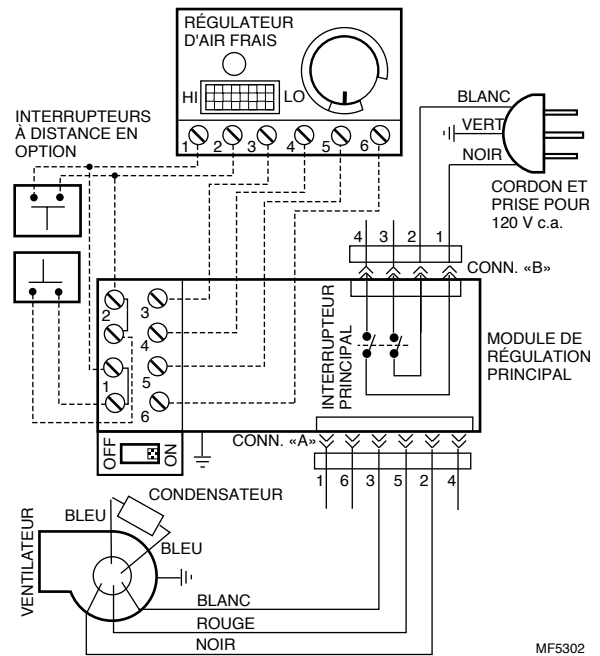


Fig. 12—Schéma de raccordement du modèle ER100, avec dispositif de préchauffage.

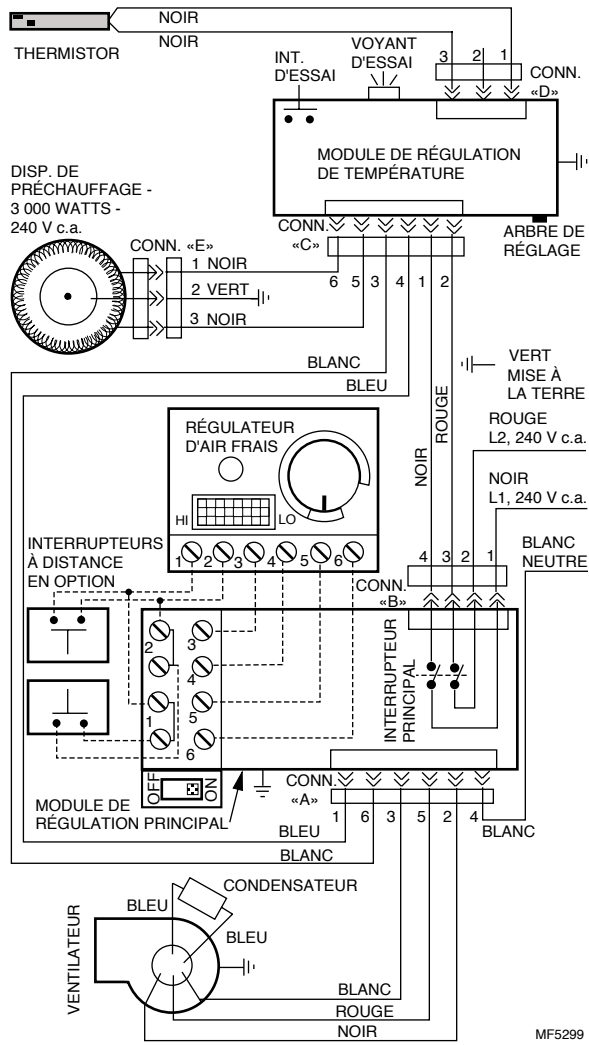


Fig. 13—Schéma de raccordement du modèle ER100, avec dispositif de préchauffage, cordon d'alimentation et prise.

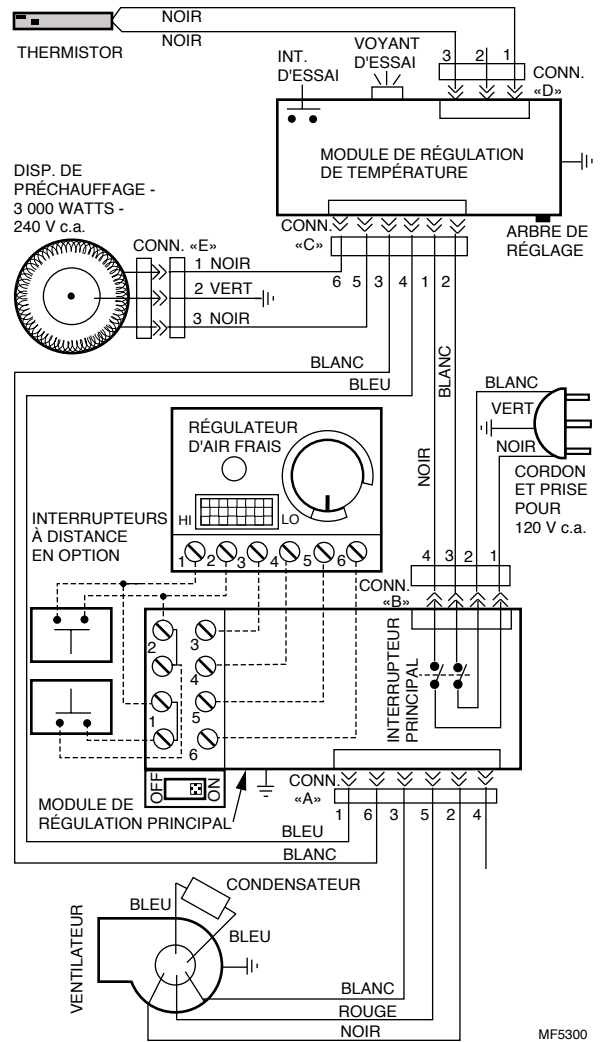


Fig. 14—Schéma de raccordement du modèle ER200, sans dispositif de préchauffage, mais avec cordon d'alimentation et prise.

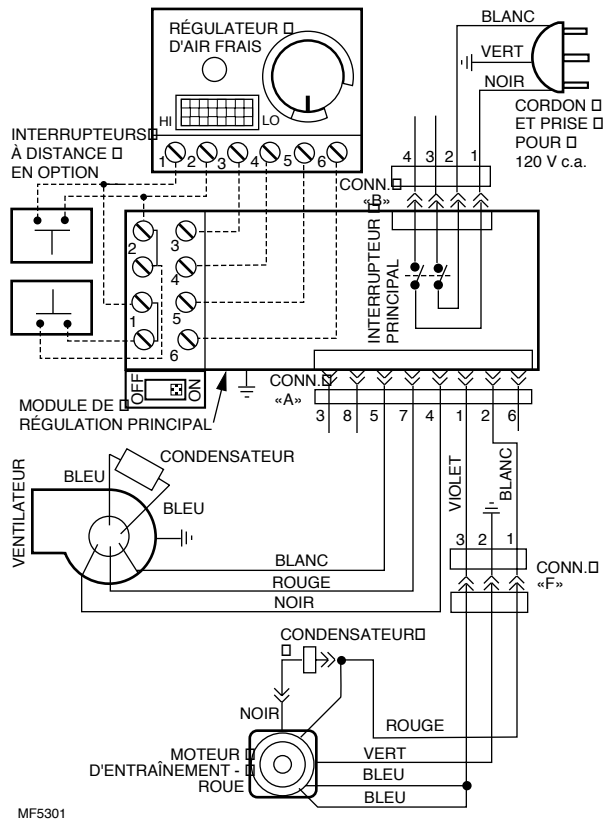
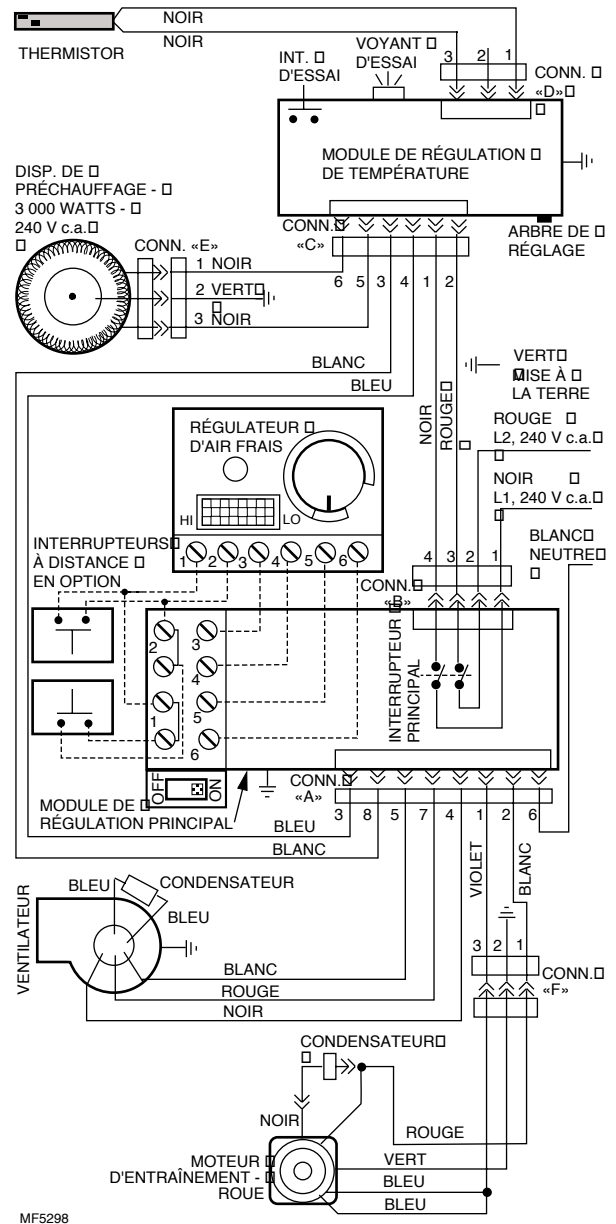


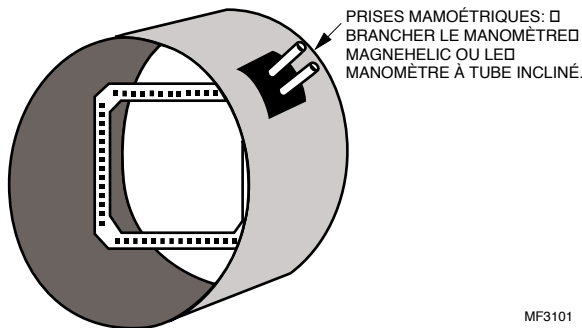
Fig. 15—Schéma de raccordement du modèle ER200, avec dispositif de préchauffage.



installées de façon temporaire, ou de façon permanente pour des vérifications à intervalles réguliers. Un dispositif de mesure de la pression est raccordé à la grille. Le tableau collé sur la grille permet de convertir la mesure en pi^3/min ou L/s.

Les grilles doivent être utilisées avec un appareil capable de mesurer des pressions de 0 à 0,25 po CE (60 Pascal), comme un manomètre Magnehelic ou un manomètre incliné. Vous trouverez ces appareils chez votre grossiste. Le débit dans les deux veines d'air peut être mesuré avec un seul appareil.

Fig. 16—Grille de mesure du débit d'air.



Mesure et équilibrage du débit d'air dans le ventilateur

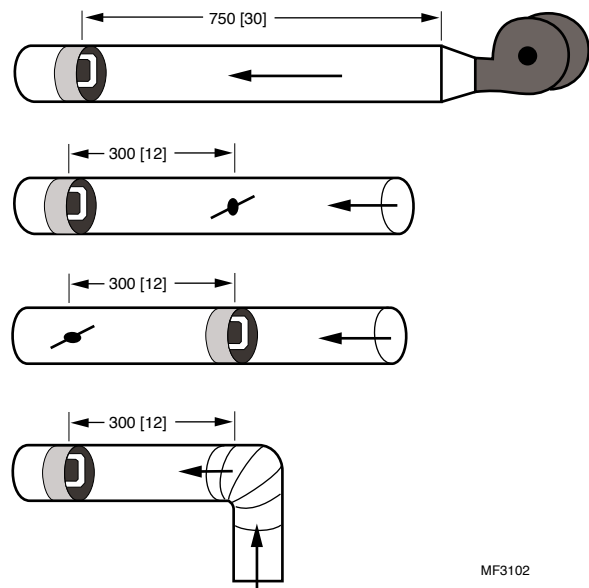
Le débit d'air peut être mesuré au moyen d'une ou de deux grilles. Si l'on n'en utilise qu'une, il faut la déplacer de la gaine d'évacuation d'air à celle de distribution. Voici la marche à suivre :

1. Fermer toutes les portes, les fenêtres et les autres ouvertures de l'immeuble. Fermer également les dispositifs d'évacuation d'air (ventilateur aspirant, appareil de chauffage, sècheuse, chauffe-eau, etc.).
2. Insérer la grille dans la gaine où l'air sera mesuré. La flèche sur le dessus de la grille doit pointer dans la direction du débit d'air dans la gaine. Installer la grille du côté chaud du circuit d'évacuation, le plus loin possible de la turbulence causée par le ventilateur, un coude ou un registre. S'il y a trop de turbulence, la mesure sera inexacte. Voir la Fig. 17.

REMARQUE: Placer le manomètre Magnehelic ou le manomètre à tube incliné sur une surface plane. Les manomètres à tube incliné sont munis d'un niveau à bulle d'air. Une fois l'appareil de mesure de niveau, le mettre à zéro. Frapper légèrement le manomètre Magnehelic pour vérifier la pression indiquée avant de faire un réglage ou une lecture.

3. Fixer le tube flexible du côté basse pression sur le manomètre à la prise en amont de la grille de débit d'air.
4. Sceller les joints avec un ruban à cette fin.
5. Fixer le tube du côté haute pression sur le manomètre à la prise en aval de la grille de débit d'air.

Fig. 17—Position de la grille de débit d'air.



6. Actionner le régulateur de débit d'air et noter la pression qu'indique l'appareil de mesure. Si la pression est négative, c'est que les connexions sont inversées. Il faut les fixer à leur prise respective.

7. Utiliser le tableau sur la grille de débit d'air ou le Tableau 1 ci-dessous pour convertir la lecture de pression en lecture de débit.

TABLEAU 1—TABLE DE CONVERSION DE LA PRESSION DU DÉBIT POUR UNE GRILLE DE 7 POUÇES

Pression (po CE)	Débit (L/s [pi^3/min])
0,010	34 [73]
0,015	42 [89]
0,020	48 [103]
0,025	54 [115]
0,030	59 [126]
0,035	64 [136]
0,040	68 [145]
0,045	73 [154]
0,050	76 [162]
0,055	80 [170]
0,060	84 [178]
0,065	87 [185]
0,070	90 [192]
0,075	94 [199]
0,080	97 [205]
0,085	100 [211]
0,090	103 [218]
0,095	105 [223]
0,100	108 [229]

(continued)

TABLEAU 1—TABLE DE CONVERSION DE LA
PRESSION DU DÉBIT POUR UNE GRILLE DE
7 POUÇES (Continued)

Pression (po CE)	Débit (L/s [pi ³ /min])
0,105	111 [235]
0,110	113 [240]
0,115	116 [246]
0,120	118 [251]
0,125	121 [256]
0,130	123 [261]
0,135	126 [266]
0,140	128 [272]

REMARQUE: Consulter les codes locaux concernant les normes d'équilibrage. Pour équilibrer le débit, il faut généralement régler le système à sa vitesse maximale. Selon certains codes toutefois, il faut le régler à sa vitesse normale de fonctionnement en continu.

8. Si l'alimentation d'air frais est reliée à la reprise d'air du système à air pulsé:

- Mettre le ventilateur de l'appareil de chauffage en marche si ce dernier fonctionne généralement en continu.
- Arrêter le ventilateur de l'appareil de chauffage si ce dernier fonctionne seulement lorsque le chauffage ou la climatisation est en marche.

9. Mettre le système de ventilation en marche.

Attendre 60 secondes pour permettre au débit d'air de

se stabiliser. Mesurer la pression dans le circuit d'évacuation d'air.

REMARQUE: Frapper légèrement le manomètre Magnehelic avant d'enregistrer la mesure.

10. Placer la grille vis-à-vis le circuit d'admission d'air et répéter les étapes 3 à 9.

11. Pour rectifier l'équilibrage :

- *Débit d'air plus élevé dans le circuit d'admission de l'air* : installer un registre en aval du ventilateur (côté chaud) et régler le débit jusqu'à ce qu'il se situe à ± 10 pour cent du débit d'air évacué. Voir les Fig. 18 ou 19. — Pour le contrôle du radon, régler le débit d'admission de l'air de manière qu'il soit supérieur de 5 à 8 L/s (10 à 15 pi³/min) au débit d'évacuation.
- *Débit d'air plus élevé dans le circuit d'évacuation de l'air* : installer un registre en aval du ventilateur d'évacuation (côté froid) et régler le débit jusqu'à ce qu'il se situe à ± 10 pour cent du débit d'air évacué. Voir les Fig. 18 ou 19. — Pour le contrôle du radon, régler le débit d'évacuation de l'air de manière qu'il soit inférieur de 5 à 8 L/s (10 à 15 pi³/min) au débit d'admission.

Une fois le réglage terminé, recouvrir le registre d'une gaine isolée et poser un ruban.

12. Marquer l'emplacement du registre sur la gaine pour référence.

13. Coller une étiquette sur le ventilateur et y inscrire, pour référence, les mesures de débit d'air lors de l'équilibrage, le nom de l'installateur et la date.

Fig. 18—Équilibrage du débit d'air sur les modèles ER90 et ER100.

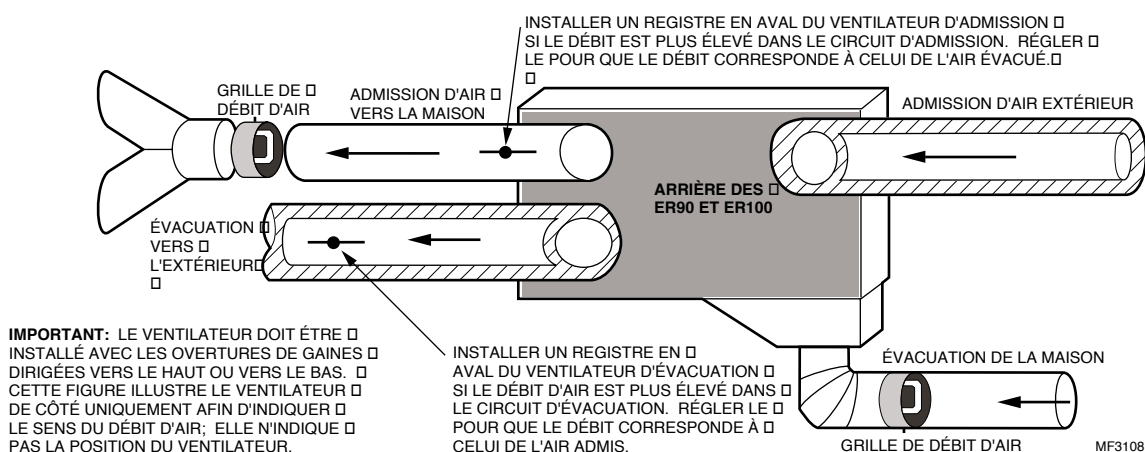
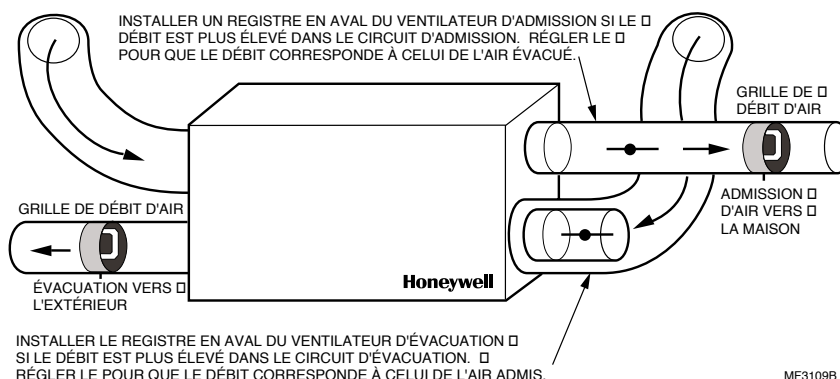


Fig. 19—Équilibrage du débit d'air sur le modèle ER200.



Démarrage et Vérification

Une fois l'installation terminée et les régulateurs raccordés, vérifier si tous les composants fonctionnent bien.

1. Ouvrir la porte du boîtier.
2. Tourner l'interrupteur principal sur le côté du boîtier à ON et vérifier si le voyant de l'interrupteur s'allume.
3. Mettre en marche le régulateur d'air frais pour vérifier le débit d'air et la rotation de la roue. Faire passer la commande de MAX à MIN afin de vérifier s'il y a diminution du débit d'air.
4. Actionner les régulateurs de dérogation pour vérifier leur fonctionnement. L'interrupteur principal doit être en position ON.
5. Si le ventilateur est muni d'un dispositif de préchauffage, vérifier si celui-ci fonctionne bien en appuyant, avec un crayon ou un petit tournevis, sur le bouton d'essai situé sur le dessus de la plaque du ventilateur. Le voyant à côté du bouton d'essai s'allume lorsque le dispositif de préchauffage est en marche.



AVERTISSEMENT

N'appuyer pas plus de deux secondes sur le bouton pour éviter la surchauffe du ventilateur. Le filtre à air frais doit être installé. Ne pas toucher à l'élément chauffant.

6. L'interrupteur lumineux à bascule sur le côté du boîtier doit être continuellement en position de marche, sauf lors de la maintenance ou de la réparation du ventilateur.

7. Sur les modèles ER90/100/200, un régulateur d'air frais, placé sur le boîtier ou installé à distance met le ventilateur en marche et règle le débit d'air de façon continue. Le débit d'air varie selon l'application, le nombre d'occupants et la conception du système de gaines. Régler le débit de façon graduelle, jusqu'au niveau de confort voulu.

Réglage de la température—protection contre le gel



AVERTISSEMENT

Seuls un technicien d'entretien ou un réparateur autorisés peuvent régler le dispositif de préchauffage.

Le dispositif est réglé à l'usine à une température d'air à l'entrée de -12°C [10°F]. Ce réglage empêche la roue de transfert d'énergie hydroscopique de geler à une humidité relative de 40 pour cent à l'intérieur. Pour changer ce point de consigne, tourner le bras d'extension à fente du potentiomètre. Le bras est situé au bout du module de régulation de température, sous la plaque supérieure du ventilateur.

Si le taux d'humidité est très élevé à l'intérieur (p. ex. une piscine ou un spa) et que la température extérieure peut descendre au-dessous de -12°C [10°F], le point de consigne du dispositif de préchauffage doit être réglé de manière à maintenir la température de l'air à l'admission au-dessus de -9°C [15°F]. Ce réglage convient pour une humidité relative intérieure de 50 pour cent. Pour changer le point de consigne, tourner le bras du potentiomètre dans le sens horaire jusqu'à la marque de 50 pour cent, -9°C [15°F].

Dans de nombreux édifices, un humidificateur sert à maintenir l'humidité relative à 30 pour cent environ. Dans d'autres édifices, le taux d'humidité est réglé à 20 pour cent ou moins l'hiver. Si tel est le cas, il est possible de réaliser des économies d'énergie en abaissant la température de préchauffage. Pour ce faire, tourner le potentiomètre de réglage dans le sens antihoraire, jusqu'à l'arrêt.

Le point de consigne de -18°C [0°F] est approprié si l'humidité relative maximale à l'intérieur ne dépasse pas 20 pour cent.

Fonctionnement

Le système de régulation résidentiel est muni d'une roue de transfert d'énergie poreuse qui tourne entre deux flux d'air de sens contraire (admission et évacuation). La roue capte la chaleur d'un côté et l'envoi de l'autre côté (flux d'air plus froid) provoquant ainsi un gradient de température dans la roue poreuse, du côté chaud au côté froid.

En circulant dans la roue poreuse, le flux d'air froid capte la chaleur sur une surface de plus en plus chaude. Le mouvement de rotation transfère la même surface

de flux d'air du côté opposé. L'air chaud transmet graduellement la chaleur à la surface de plus en plus froide de la roue. La rotation de la roue entraîne une régénération continue du gradient de température et assure un rendement maximal.

La roue de récupération d'énergie hydroscopique élimine également l'humidité lors de la rotation. Elle transfère l'humidité du flux d'air évacué, humide et chaud, dans l'air admis, plus sec et plus froid. Il n'est donc pas nécessaire d'installer un tuyau ou un plateau pour la condensation.

Maintenance et Vérification

Dispositif de protection contre le gel

Vérifier le dispositif de protection contre le gel une fois par an, avant que ne débute la période de chauffage.



MISE EN GARDE

N'appuyer pas plus de deux secondes sur le bouton d'essai. Un essai plus long pourrait déclencher l'interrupteur de sécurité du thermostat à réarmement sur le châssis de l'appareil de chauffage. Le cas échéant, laisser refroidir l'appareil, puis appuyer sur le bouton de réarmement du thermostat.

Filtre à air ambiant

Enlever le filtre et le laver pour maintenir un débit d'air adéquat dans l'appareil. Seuls les modèles ER90 et ER100 sont munis d'un filtre à air ambiant.

Filtre d'air frais

Remplacer le filtre d'air frais au moins deux fois par an. Pour enlever le filtre:

1. Enlever le panneau d'accès au filtre en dévissant les vis à ailettes.
2. Glisser le filtre pour le retirer.
3. Vérifier le filtre et le remplacer s'il est obstrué.
4. Remettre le panneau d'accès et serrer les vis.

Couvercles anti-intempérie

Vérifier si des débris (herbe, feuilles, neige) obstruent les grilles de prise d'air frais et d'évacuation.

Roue de transfert d'énergie

Vérifier si la roue de transfert d'énergie est sale ou obstruée.

REMARQUE: Les taches ne nuisent pas au transfert d'énergie.

MARCHE À SUIVRE POUR ENLEVER ET NETTOYER LA ROUE DE TRANSFERT D'ÉNERGIE SUR LES MODÈLES ER90 et ER100:

1. Dévisser les vis de la porte du ventilateur et enlever la porte.
2. Retirer la cloison centrale.
3. Dévisser la vis au centre du chapeau du moyeu.
4. Tourner le chapeau du moyeu dans le sens antihoraire et l'enlever.
5. Saisir le moyeu avec les doigts et le retirer de l'arbre d'entraînement.

IMPORTANT : *Soulever la roue par le moyeu uniquement.*

6. Vaporiser un produit de nettoyage domestique (p. ex. du Fantastic ou un produit semblable) sur la roue de transfert d'énergie. Rincer à l'eau tiède. Enlever les taches entre les enroulements en plastique avec une brosse douce. Secouer pour enlever l'excès d'eau.

7. Reposer la roue sur l'arbre d'entraînement.

REMARQUE: Tourner la roue dans le sens antihoraire jusqu'à ce que la tige sur l'arbre soit entrée dans la fente au bas du moyeu. L'extrémité de l'arbre d'entraînement et la face du moyeu sont alors alignées.

8. Remettre le chapeau du moyeu et le tourner dans le sens horaire.

9. Replacer la cloison centrale.

10. Fermer la porte du ventilateur et serrer les vis.

MARCHE À SUIVRE POUR ENLEVER ET NETTOYER LA ROUE DE TRANSFERT D'ÉNERGIE SUR LE MODÈLE ER200:

1. Dévisser les vis de la porte du ventilateur et enlever la porte.
2. Retirer la cloison centrale.
3. Enlever la courroie de la jante de la roue.
4. Dévisser la vis au centre du moyeu.

5. À l'aide de la jante, soulever la roue de son arbre d'entraînement.

6. Vaporiser un produit de nettoyage domestique (p. ex. du Fantastic ou un produit semblable) sur la roue de transfert d'énergie. Rincer à l'eau tiède. Enlever les taches entre les enroulements en plastique avec une brosse douce. Secouer pour enlever l'excès d'eau.

7. Reposer le moyeu sur l'arbre d'entraînement.

8. Replacer et serrer la vis au centre du moyeu.

9. Replacer la courroie sur la roue.

10. Replacer la cloison centrale.

11. Fermer la porte du ventilateur et serrer les vis.

Entraînement de la courroie

Si le ventilateur est en marche (de l'air sort par les événements d'air frais) mais que la roue de transfert d'énergie ne tourne pas, vérifier le système de poulies. Remplacer les courroies brisées ou lâches.

REMARQUE: Sur les modèles ER90 et ER100, il faut enlever la roue de transfert d'énergie pour vérifier le système de poulies.

Si le ventilateur ne fonctionne pas lorsque l'interrupteur principal est à ON, HI ou LO et que le régulateur d'air frais est en marche, vérifier les disjoncteurs dans la boîte électrique de la maison. Si le courant se rend à l'appareil mais que le ventilateur ne fonctionne pas, consulter un spécialiste en conditionnement d'air.

Dépannage

La vérification ou l'entretien peuvent être effectués par un technicien en conditionnement d'air ou un réparateur d'appareils électroménagers.

Suivre les instructions des tableaux de dépannage aux pages suivantes pour trouver les anomalies et leurs causes. Commencer au niveau 1 et procéder vers le bas, niveau par niveau. Si la réponse est négative, passer aux étapes de ce niveau jusqu'à ce que l'anomalie et le moyen d'y remédier aient été trouvés. Continuer jusqu'à la fin. Cette méthode de diagnostic systématique permet de faire une inspection et une vérification complètes du système tant du point de vue électrique que mécanique.

Fig. 20— Marche à suivre pour la maintenance et la vérification du modèle ER90— Niveaux 1 à 6.

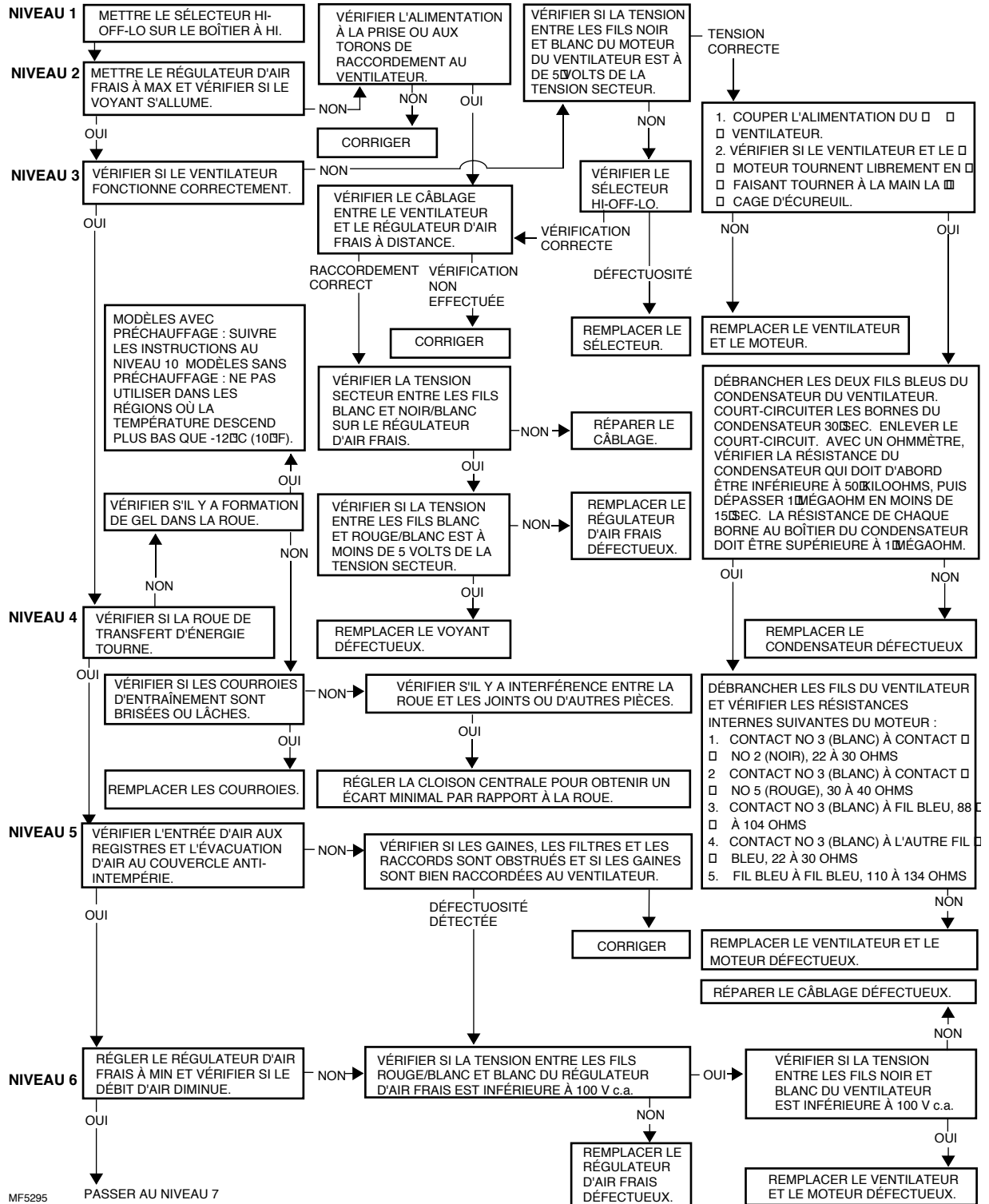
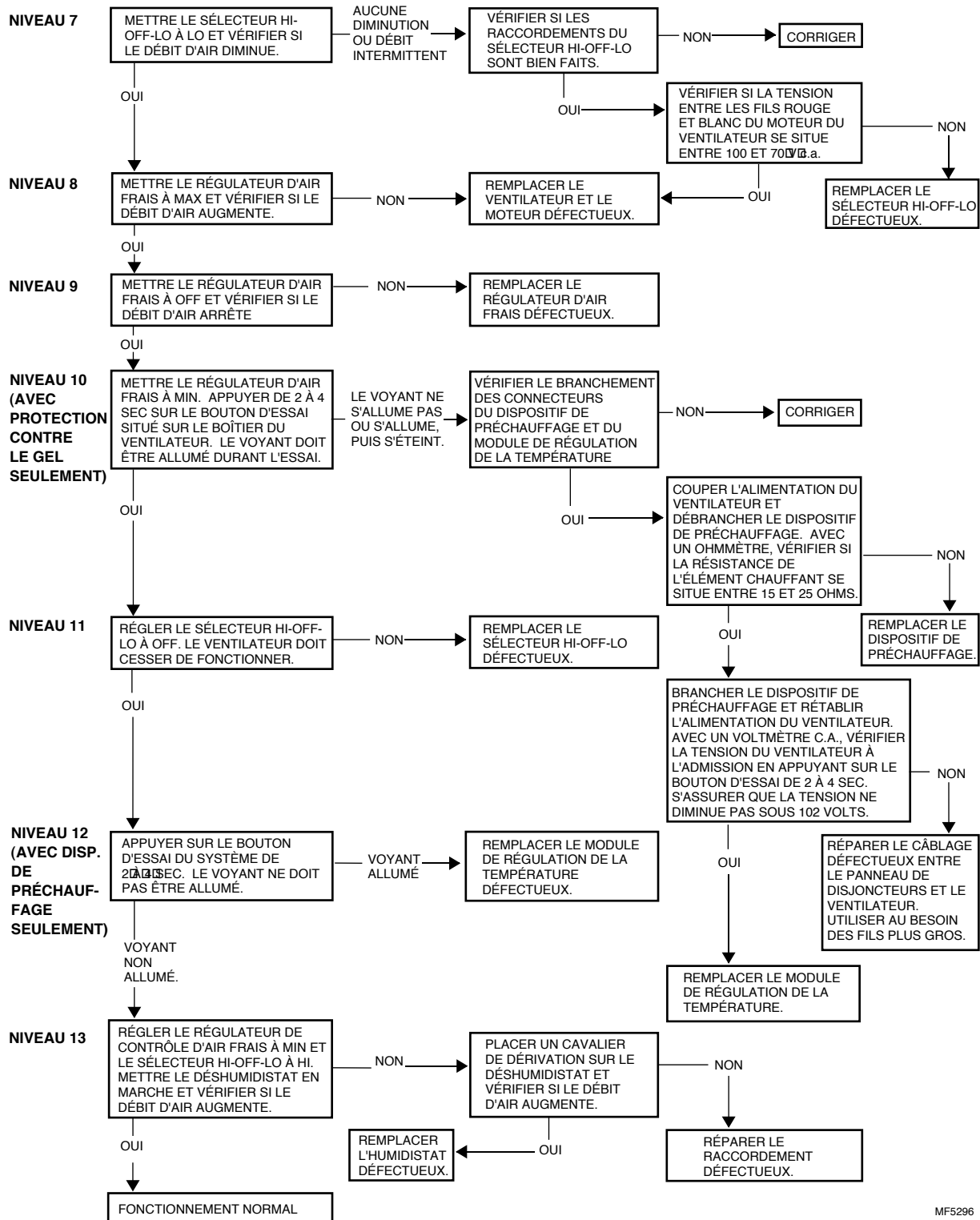
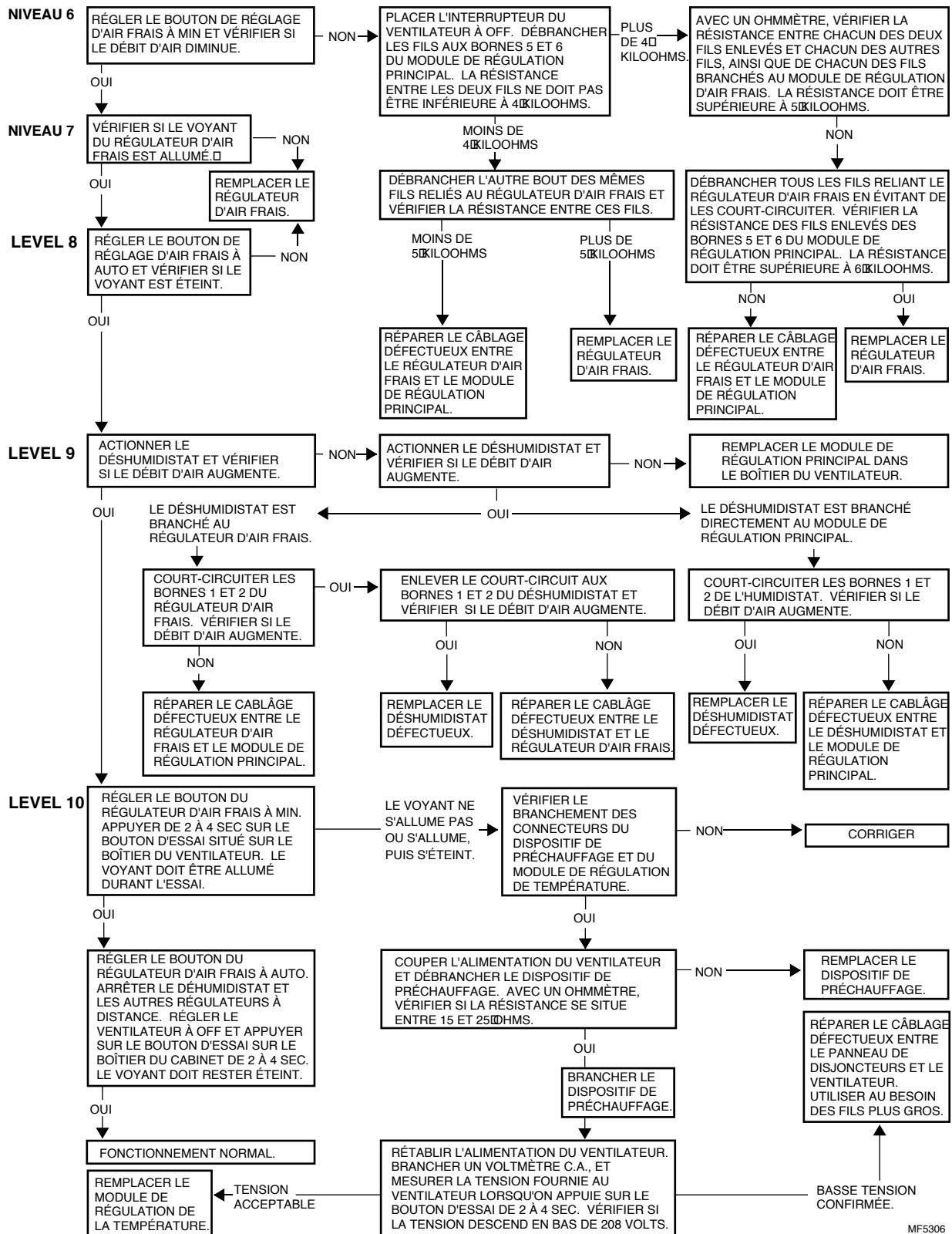


Fig. 21 – Marche à suivre pour la maintenance et la vérification du modèle ER90 – Niveaux 7 à 13.



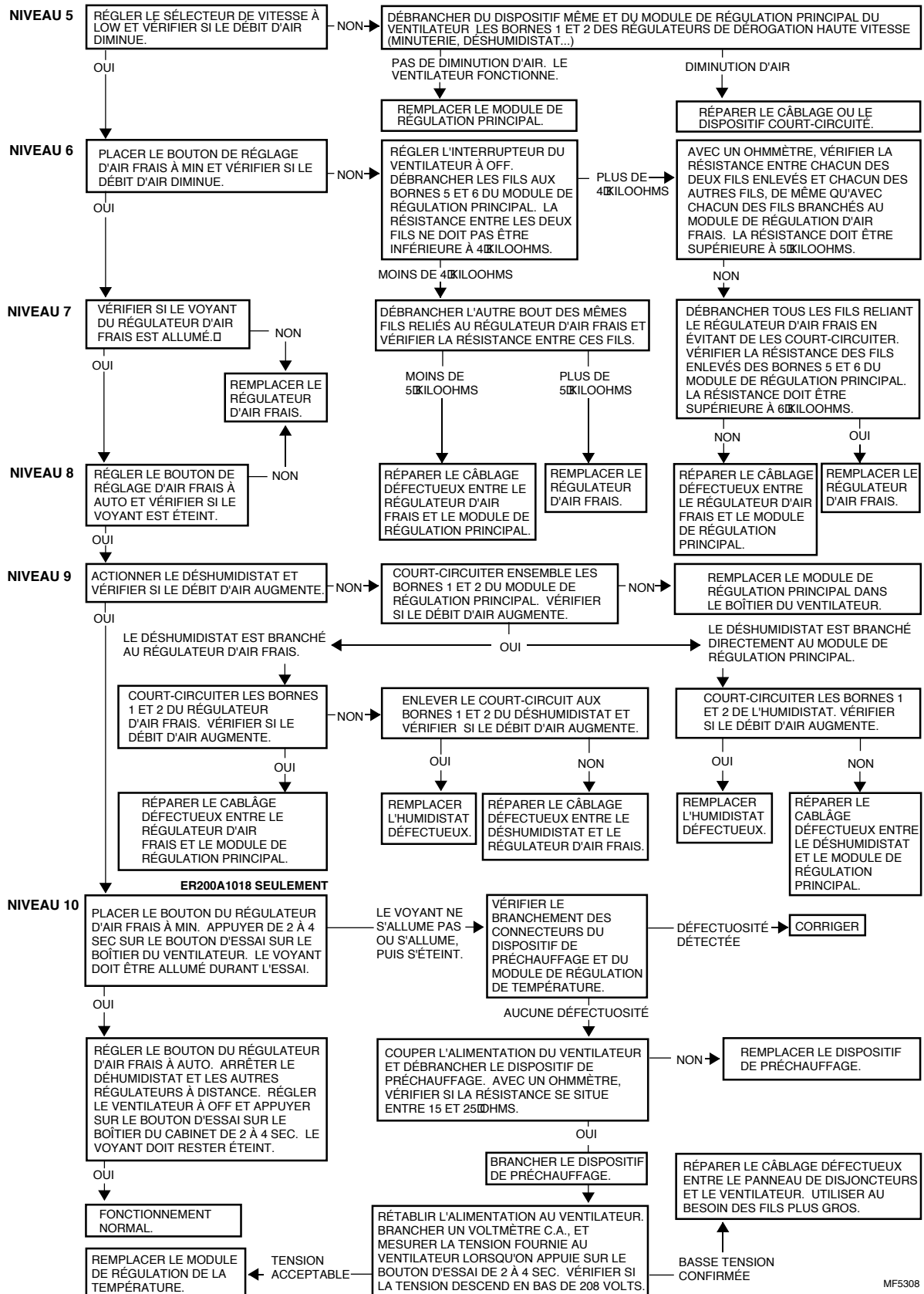
MF5296

Fig. 23—Marche à suivre pour la maintenance et la vérification du modèle ER100—Niveaux 6 à 10.



MF5306

Fig. 25— Marche à suivre pour la maintenance et la vérification du modèle ER200—Niveaux 5 à 10.

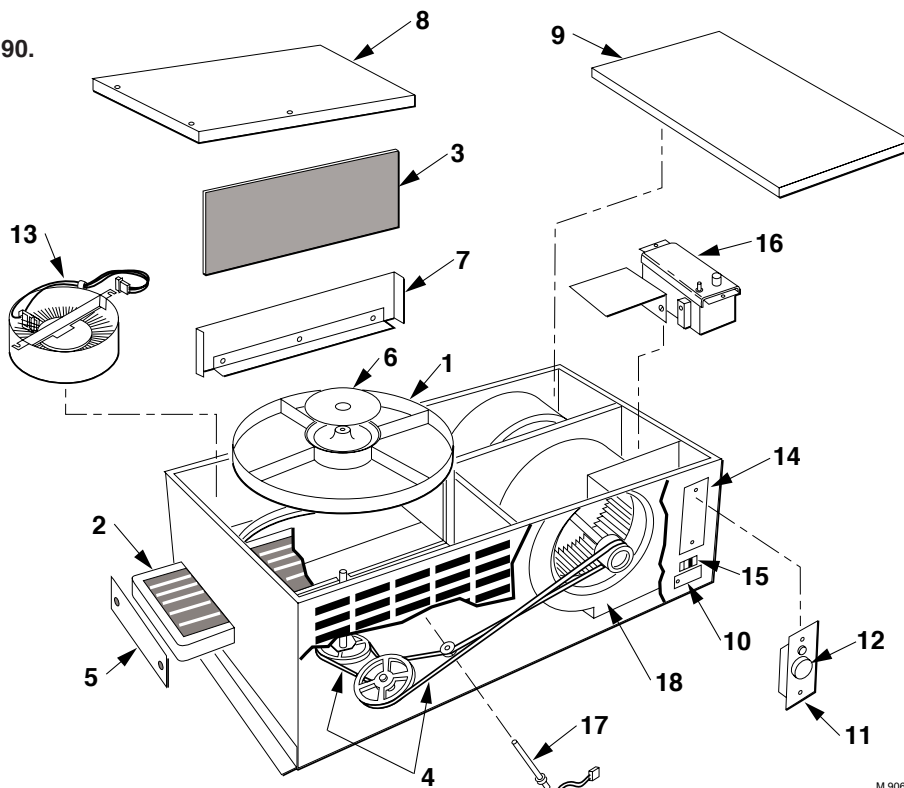


Liste Des Pièces de Rechange—Modèle ER90

N°	Description	N° pièce	
		Sans dispositif de préchauffage	Avec dispositif de préchauffage
1	Roue de transfert d'énergie hydroscopique	272677	272677
1a	Roue de transfert d'énergie sensib	272676	272676
2	Filtre de prise d'air frais	272682	272682
3	Filtre à air ambiant	272684	272684
4	Jeu de courroies d'entraînement	272685	272685
5	Panneau d'accès—filtre d'air frais	272686	272686
6	Chapeau du moyeu de roue de transfert	272687	272687
7	Cloison centrale et joint	272688	272688
8	Porte du boîtier	272689	272689
9	Couvercle du ventilateur d'air frais (avec vis)	272745	272778
10	Couvercle d'accès—boîte de raccordement c.a.	272694	272694
11	Régulateur du débit d'air	272740	272740
12	Bouton du réglage du débit d'air	272713	272713
13	Dispositif de préchauffage	S.O.	272736
14	Plaque du régulateur du débit d'air	272747	272747
15	Interrupteur marche-arrêt	272779	272779
16	Module de régulation de température	S.O.	272705
17	Thermistor	S.O.	272707
18	Ventilateur et moteur (avec condensateur)	272777	272777

PIÈCES NON ILLUSTRÉES: 272682B—Ensemble de 12 filtres de prise d'air frais, 272692—vis à ailettes du couvercle, 272709 condensateur du moteur du ventilateur, 272749—pince du filtre.

Fig. 26—Vue éclatée des pièces du modèle ER90. Les numéros renvoient aux numéros des pièces de rechange.



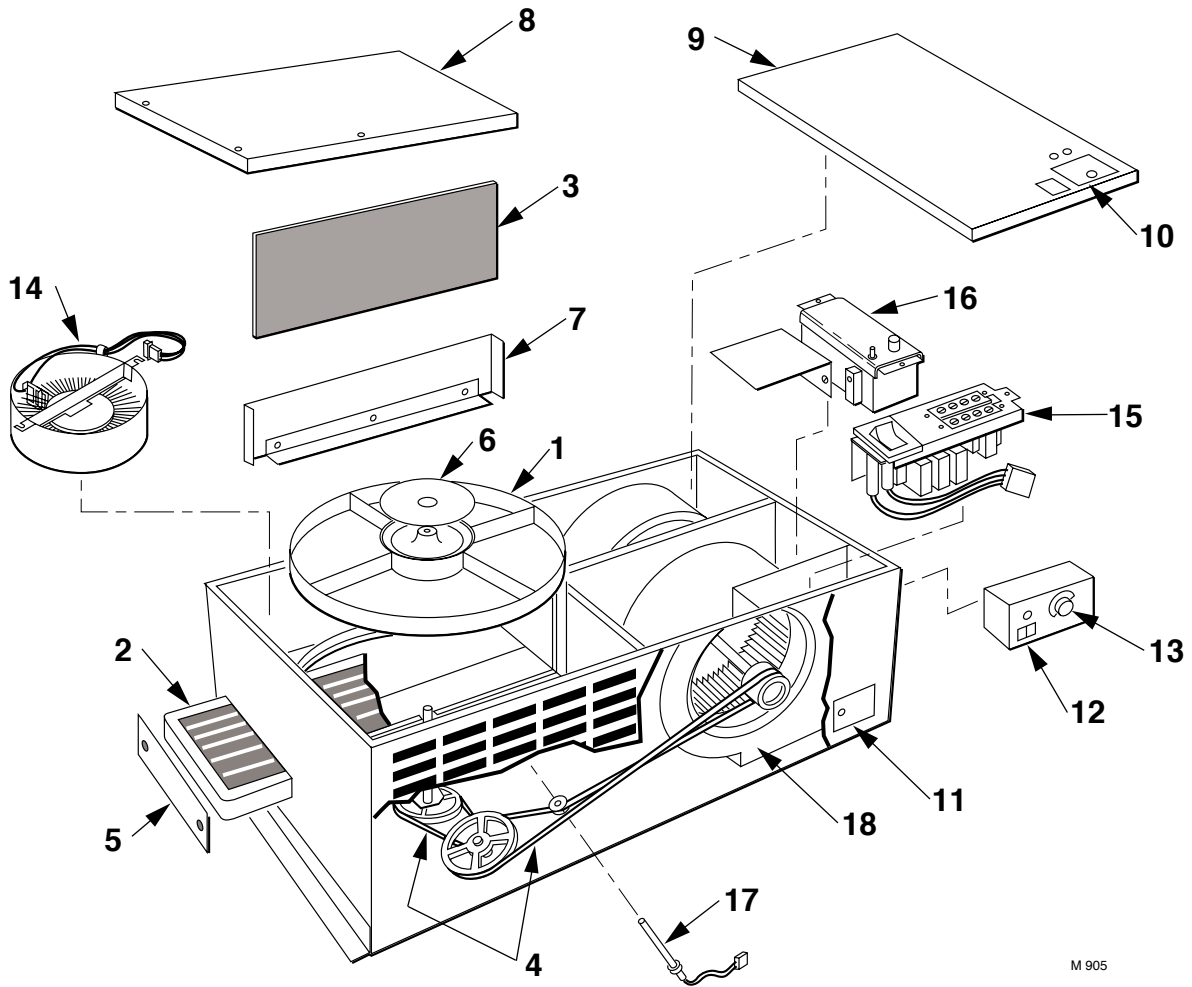
M 906

Liste Des Pièces de Rechange- Modèle ER100

N ^o	Description	N ^o pièce		
		Modèle à 120 V c.a. Sans dispositif de préchauffage	Modèle à 120 V c.a. Avec dispositif de préchauffage	Modèle à 240 V c.a. Avec dispositif de préchauffage
1	Roue de transfert d'énergie hydroscopique	272677	272677	272677
1a	Roue de transfert d'énergie sensible	272676	272676	272676
2	Filtre de prise d'air frais	272682	272682	272682
3	Filtre à air ambiant	272684	272684	272684
4	Jeu de courroies d'entraînement	272685	272685	272685
5	Panneau d'accès—filtre d'air frais	272686	272686	272686
6	Chapeau du moyeu de roue de transfert	272687	272687	272687
7	Cloison centrale et joint	272688	272688	272688
8	Porte du boîtier	272689	272689	272689
9	Couvercle du ventilateur d'air frais (avec vis)	272691	272690	272690
10	Couvercle d'accès module de régulation principal	272693	272693	272693
11	Couvercle d'accès boîte de raccordement c.a.	272694	272694	272694
12	Régulateur du débit d'air	272695	272695	272695
13	Bouton du réglage du débit d'air	272697	272697	272697
14	Appareil de préchauffage	S.O.	272736	272700
15	Interrupteur marche-arrêt	272701	272701	272702
16	Module de régulation de température	S.O.	272705	272706
17	Thermistor	S.O.	272707	272707
18	Ventilateur et moteur (avec condensateur)	272777	272777	272777

PIÈCES NON ILLUSTRÉES: 272692—vis à ailettes du couvercle, 272704—déshumidistat, 272709 condensateur du moteur du ventilateur, 272749—pince du filtre.

Fig. 27—Vue éclatée des pièces du modèle ER100 Les numéros renvoient aux numéros des pièces de rechange.



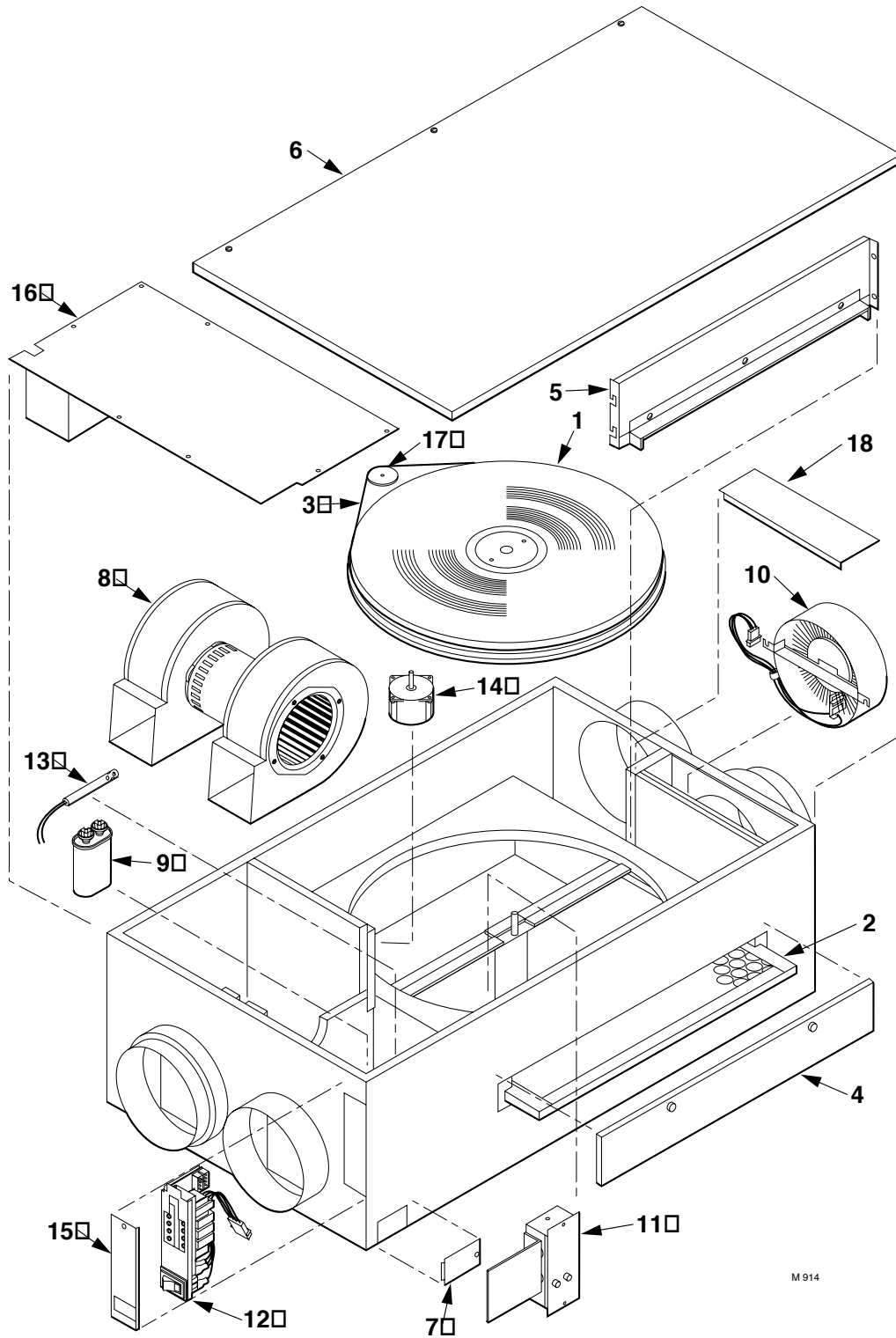
M 905

Liste Des Pièces de Rechange—Modèle ER200

N ^o	Description	N ^o pièce	
		Sans dispositif de préchauffage	Avec dispositif de préchauffage
1	Roue de transfert d'énergie hydroscopique	272750	272750
1a	Roue de transfert d'énergie sensible	272751	272751
2	Filtre de prise d'air frais	272737	272737
3	Courroie d'entraînement—roue	272754	272754
4	Panneau d'accès—filtre d'air frais	272755	272755
5	Cloison centrale et joint	272757	272757
6	Porte du boîtier	272758	272758
7	Couvercle d'accès boîte de raccordement c.a.	272694	272694
8	Moteur et ventilateur (avec condensateur)	272761	272761
9	Condensateur du moteur du ventilateur	272762	272762
10	Appareil de préchauffage	S.O.	272700
11	Module de régulation de température	S.O.	272706
12	Interrupteur marche-arrêt	272738	272739
13	Thermistor	S.O.	272768
14	Moteur d'entraînement—roue (avec condensateur)	272767	272767
15	Plaque—Module de régulation de température	272780	272780
16	Couvercle—boîtier du ventilateur	272781	272781
17	Poulie—entraînement de roue	272782	272782
18	Couvercle—boîtier de l'appareil de chauffage	272783	272783

PIÈCES NON ILLUSTRÉES: 272682B—ENSEMBLE DE 12 FILTRES DE PRISE D'AIR FRAIS, 272692—VIS À AILETTES, 272695—RÉGULATEUR du débit d'air, 272749- pince du filtre, 272763—cordon et prise, 272770—condensateur du moteur de la roue d'entraînement.

Fig. 28—Vue éclatée des pièces du modèle ER200.
Les numéros renvoient aux numéros des pièces de rechange.



Honeywell

Groupe de la Régulation Résidentielle et Commerciale

Honeywell Limitée
740 Ellesmere Road
Scarborough, Ontario
M1P 2V9

Honeywell Inc.
1985 Douglas Drive North
Golden Valley, MN 55422

Pour la Maîtrise de Votre Univers



La clé, la qualité
du succès