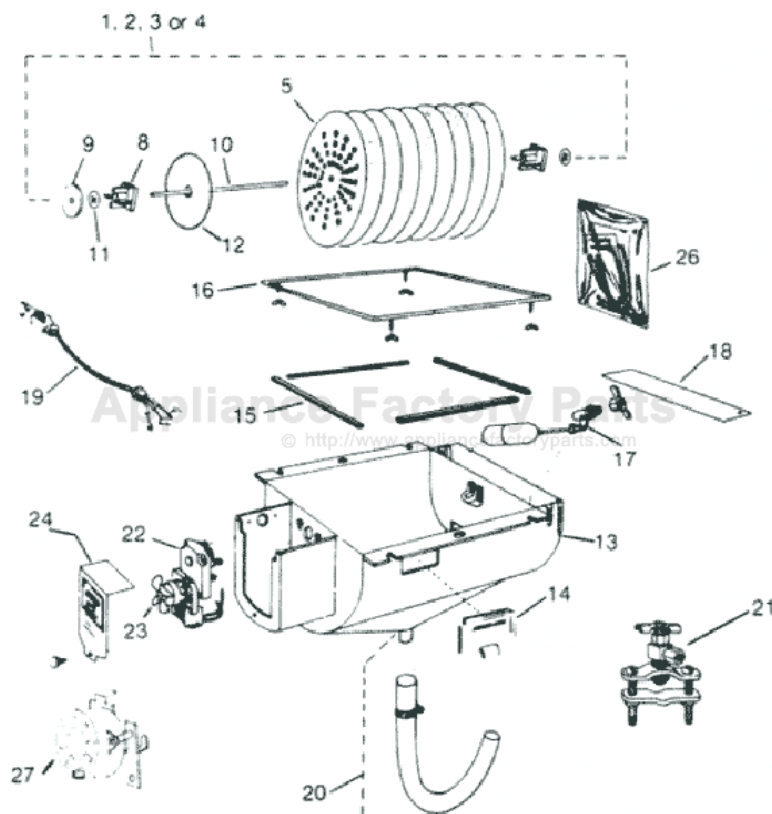


This Owner's Manual is provided and hosted by [Appliance Factory Parts](http://Appliance Factory Parts).



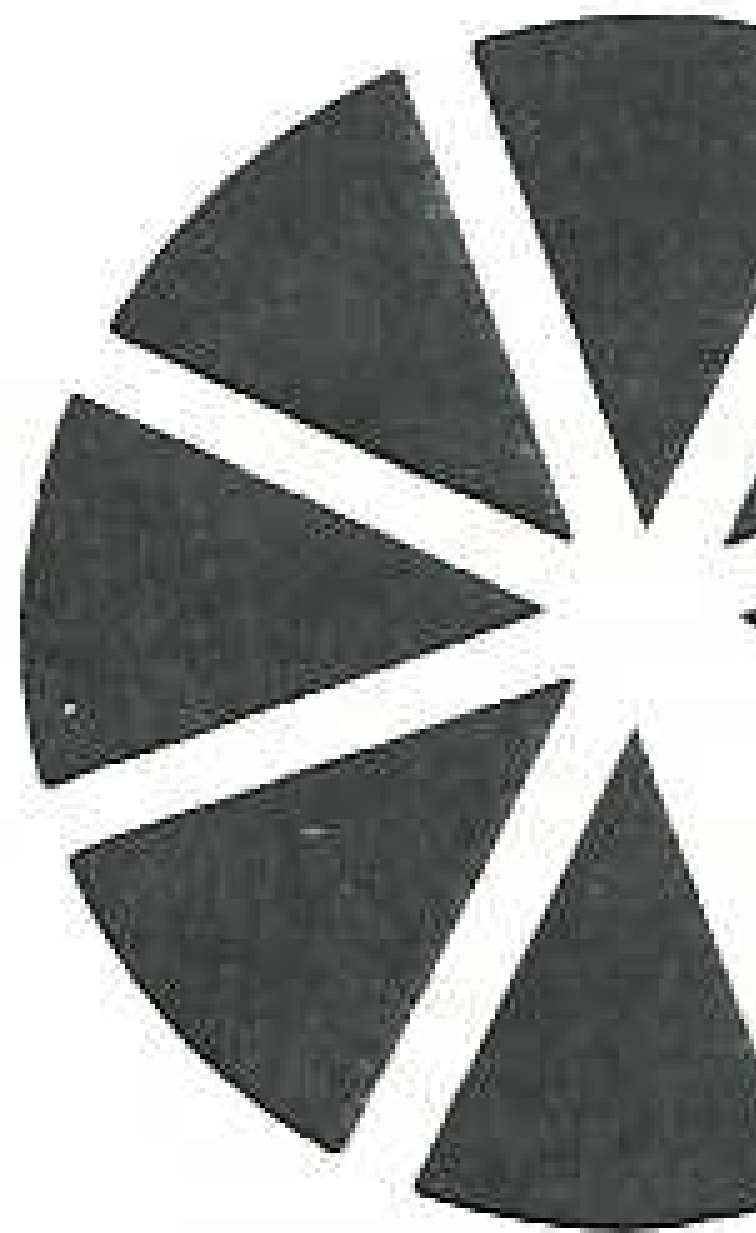
# HUMIDAIRE FH20 Owner's Manual

[Shop genuine replacement parts for HUMIDAIRE FH20](#)



[Find Your HUMIDAIRE Humidifier Parts - Select From 31 Models](#)

----- Manual continues below -----



**INST**

**MA**

# HUMIDIFI

---

Instructions and

Installation inst  
installing on wa

**Step One** The humidifi  
DUCT of your forced air furn  
from your furnace and select  
close to the furnace proper  
the furnace blower will keep

**Step Nine** It is recommended to use a humidifier to achieve maximum controlled humidity in the home.

Since your humidifier operates on a 240V supply connection coming from a double switch.

**CAUTION: YOU ARE WORKING WITH HIGH VOLTAGE. ANY CONNECTIONS, DETERRING FROM THE INSTRUCTIONS IS TO BE USED AND NOT RECOMMENDED. AFTER MAKING ALL THE CONNECTIONS, REPLACE THE FUSE.**

---

# TIPS ON



## 1. Draining The Unit

Regular draining of your humidifier is important because when the unit's output is extremely high, water droplets are suspended in the water in the reservoir. These droplets settle at the bottom of the unit, and drain away during draining. follow this draining schedule: