

## SpectrAlert®

### SP200, SP201, SP300, SP301 Dual-Voltage Evacuation Speakers

#### General

Honeywell's System Sensor® SP2 and SP3 Series speakers combine performance, functionality, and flexibility in the latest line of dual-voltage evacuation speakers.

**Performance.** With its low total harmonic distortion, the SpectrAlert SP2 Series offers fidelity-quality sound output. This performance provides greater assurances that the SP2's output more closely matches the source signal. This fidelity sound quality is achieved at any of the SP2's four field-selectable power taps: 1/4, 1/2, 1, and 2 watts. The SpectrAlert SP3 Series offers greater sound output at every tap setting for applications with high ambient noise levels.

**Functionality.** Installation ease and functionality are achieved via the speaker's compact design, which allows flush mounting to a 4.0" x 4.0" x 2.125" (10.16 x 10.16 x 5.398 cm) backbox, without the need for an extension ring.

**Flexibility.** The SP2 and SP3 Series speakers are designed for a variety of application requirements. Offered with round and square grilles, they can be ceiling or wall mounted. White and red grille color options are also available to meet specific aesthetic requirements.

#### Features

- Fidelity sound quality (SP2).
- Enhanced SPL (SP3).
- 25.0 and 70.7 VRMS dual-voltage settings.
- Four field-selectable power taps.
- No extension ring required.
- Low-profile design.
- Ceiling- and wall-mount applications.
- Grilles available in white and red.
- Color-matched mounting screws.

#### Engineering Specifications

Speaker shall be a System Sensor Model \_\_\_\_\_ dual-voltage transformer speaker capable of operating at 25.0 or 70.7 nominal VRMS. Speaker shall be listed to Underwriters Laboratories' Standard 1480 for fire protective signaling systems. Speaker shall have a frequency range of 400 to 4000 Hz and shall have an operating temperature between 32°F and 120°F (0°C and 49°C). Speaker shall have power taps that are selected by shunts.

#### Operating Specifications

##### MECHANICAL

- Input terminals:** 12 to 18 AWG (3.31 to 0.821 mm<sup>2</sup>).
- Speaker size:** 4 inches (101 mm).
- Grille size:** **round** 6.875 inches (107 mm); **square** 5 inches (127 mm).

#### Ceiling/Wall-Mount Application



6710cov.jpg

#### Wall-Mount Application

#### ELECTRICAL

**Voltage Input:** 25.0 volts or 70.7 volts nominal.

**Frequency range:** 400 to 4000 Hz. **NOTE:** The SP200 and SP300 Series are UL Listed from 400 to 4000 Hz. The SP200 Series will provide a flat ( $\pm 10$  dB) output from 100 to 15,000 Hz. The SP300 Series will provide a flat ( $\pm 10$  dB) output from 500 to 13,000 Hz.

**Operating temperature range:** 32°F to 120°F (0°C to 49°C).

**Power:** 1/4, 1/2, 1 and 2 watts.

#### Sound Output

UL Reverberant (dBA @ 10 ft./3.048 m)				
	2 W	1 W	1/2 W	1/4 W
SP2	84	81	78	75
SP3	89	86	84	80

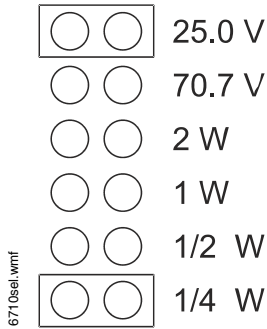
#### Agency Listings and Approvals

The listings and approvals below apply to SpectrAlert Dual-Voltage Evacuation Speakers. In some cases, certain modules may not be listed by certain approval agencies, or listing may be in process. Consult factory for latest listing status.

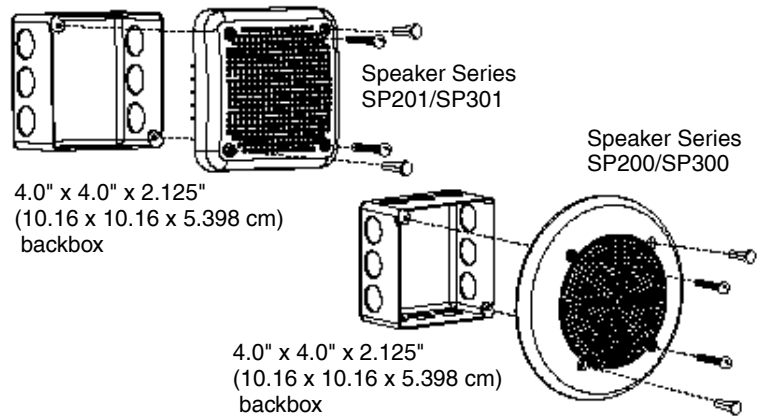
- **UL** Listed: file S4048.
- **ULC** Listed: file CS548 (SP200W/R[A], SP200W/R[A]).
- **MEA** approved:
  - file 461-05-E (SP300W, SP301R, SP301W).
  - file 353-98-E (SP200W/R[A], SP201W/R[A]).
  - file 139-05-E (SP201K, SP2R1224MCK).
- **CSFM** approved: 7320-1653:183

## Voltage and Power Selection

**Example shown:** selecting a 1/4 watt input when a 25.0 volt (nominal) amplifier is being used.



## Mounting Diagrams



## Ordering Information

White	Red	Description	Speaker Voltage
<b>SpectrAlert Dual-Voltage Evacuation Speakers</b>			
SP200W	—	Round, standard SPL, 1/4 – 2 watt power tap.	25.0/70.7 VRMS
SP201W	SP201R	Square, standard SPL, 1/4 – 2 watt power tap.	25.0/70.7 VRMS
SP300W	—	Round, high SPL, 1/4 – 2 watt power tap.	25.0/70.7 VRMS
SP301W	SP301R	Square, high SPL, 1/4 – 2 watt power tap.	25.0/70.7 VRMS
<b>Accessories</b>			
BBCSW	—	Surface-mount backbox skirt for SP200W, SP300W.	NA
BBS-SP201W	BBS-SP201R	Surface-mount backbox skirt for SP201W, SP301W.	NA

This document is not intended to be used for installation purposes. We try to keep our product information up-to-date and accurate. We cannot cover all specific applications or anticipate all requirements. All specifications are subject to change without notice.

**SpectrAlert®** and **System Sensor®** are registered trademarks of Honeywell International Inc.

©2006 by Honeywell International Inc. All rights reserved. Unauthorized use of this document is strictly prohibited.

## Automation and Control Solutions

Honeywell International Inc.  
1985 Douglas Drive North  
Golden Valley, MN 55422  
www.honeywell.com

Honeywell Limited-Honeywell Limitée  
35 Dynamic Drive  
Scarborough, Ontario M1V 4Z9

85-0301 Rev. 10/16  
10/18/06  
Made in the U.S.A.  
© U.S. Registered Trademark  
© 2006 Honeywell International Inc.  
Page 2 of 2



# Honeywell

