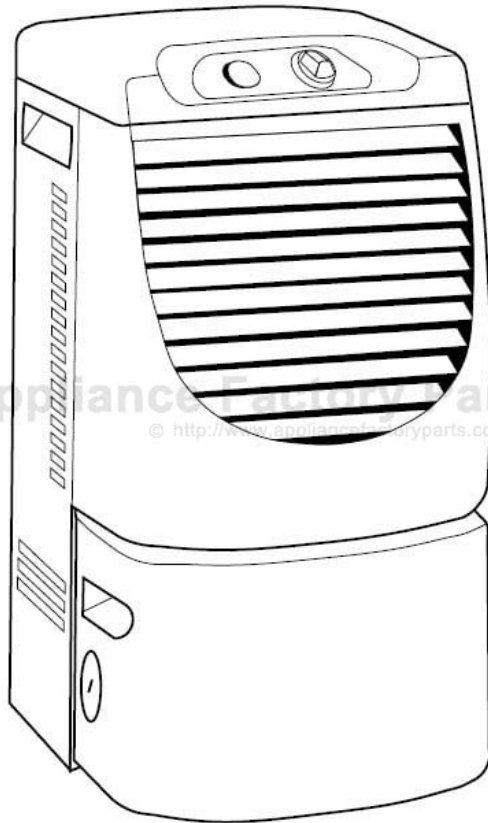


This Owner's Manual is provided and hosted by [Appliance Factory Parts](#).



WHIRLPOOL AD50G2 Owner's Manual

[Shop genuine replacement parts for WHIRLPOOL
AD50G2](#)



[Find Your WHIRLPOOL Dehumidifier Parts - Select From 309 Models](#)

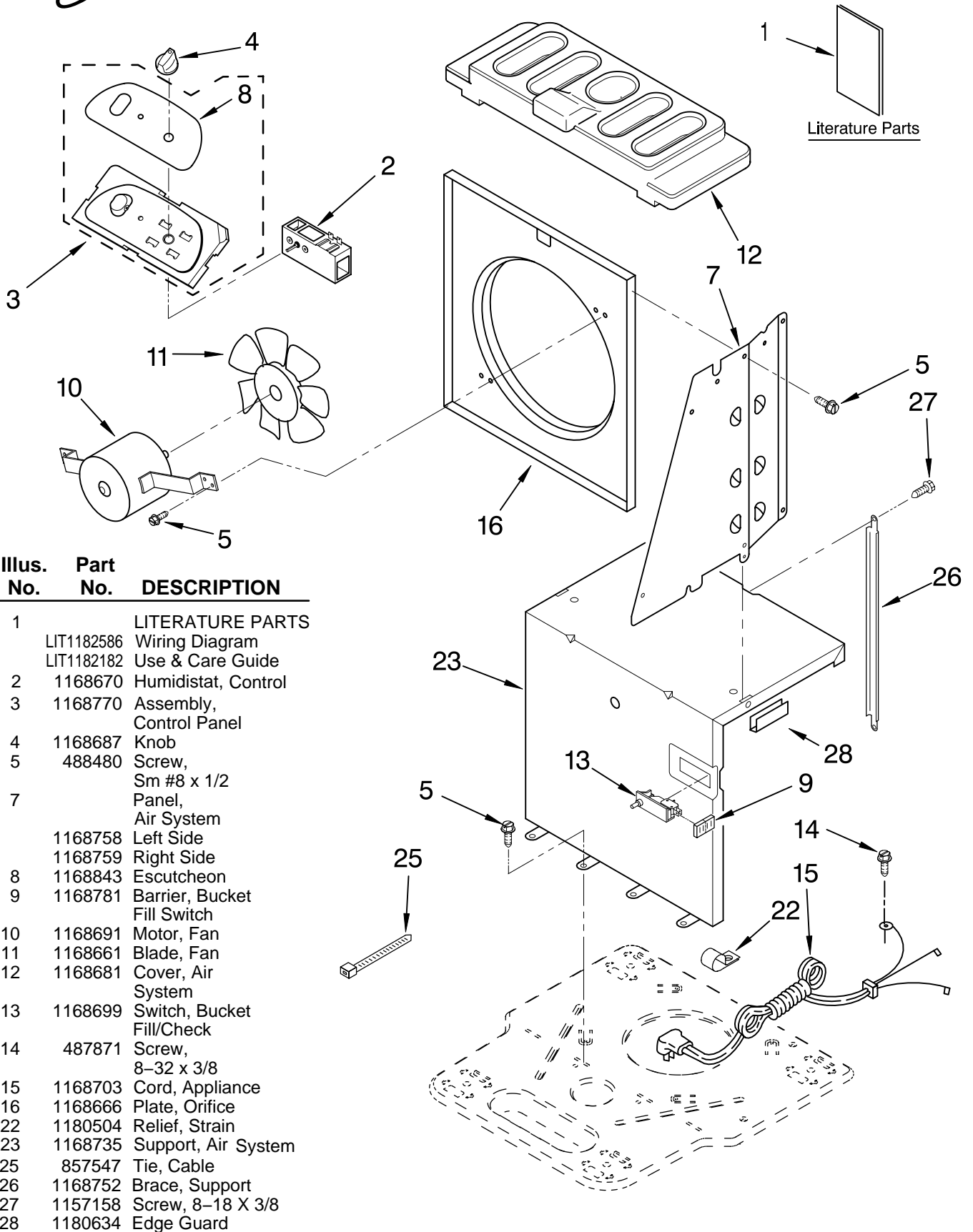
----- Manual continues below -----



AIR FLOW AND CONTROL PARTS

DEHUMIDIFIER

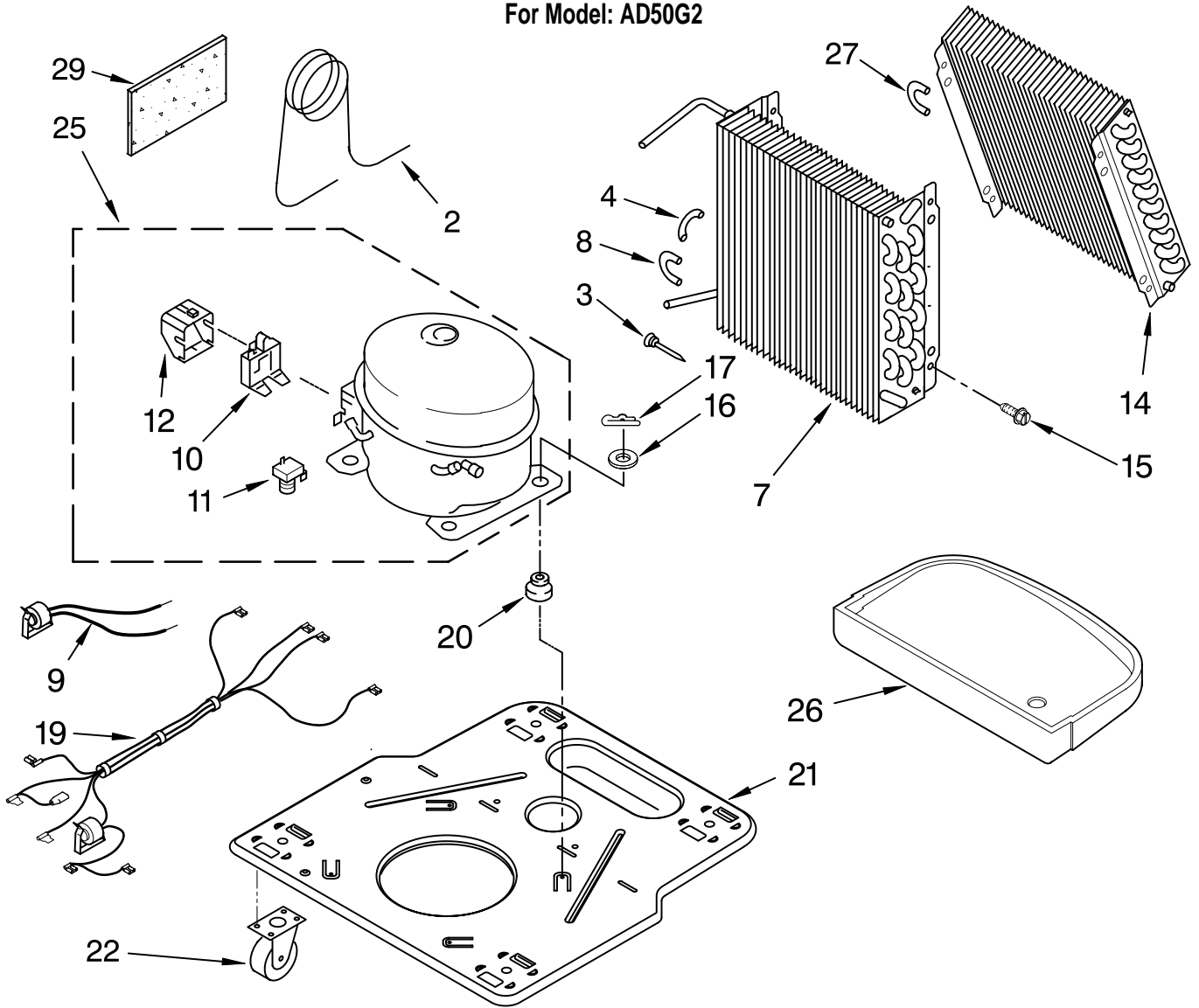
For Model: AD50G2



Illus. No.	Part No.	DESCRIPTION
1		LITERATURE PARTS
	LIT1182586	Wiring Diagram
	LIT1182182	Use & Care Guide
2	1168670	Humidistat, Control
3	1168770	Assembly, Control Panel
4	1168687	Knob
5	488480	Screw, Sm #8 x 1/2
7		Panel, Air System
	1168758	Left Side
	1168759	Right Side
8	1168843	Escutcheon
9	1168781	Barrier, Bucket Fill/Check
10	1168691	Motor, Fan
11	1168661	Blade, Fan
12	1168681	Cover, Air System
13	1168699	Switch, Bucket Fill/Check
14	487871	Screw, 8-32 x 3/8
15	1168703	Cord, Appliance
16	1168666	Plate, Orifice
22	1180504	Relief, Strain
23	1168735	Support, Air System
25	857547	Tie, Cable
26	1168752	Brace, Support
27	1157158	Screw, 8-18 X 3/8
28	1180634	Edge Guard

UNIT PARTS

For Model: AD50G2



Illus. No.	Part No.	DESCRIPTION
2	1168729	Tube, Restrictor (Length 30.00")
3	1162526	Strainer
4	708532	Bend, Return (2)
7	1168657	Condenser
8	708531	Bend, Return (12)
9	1168777	Deicer, Bimetal
10	1182783	Overload, Protector
11	950058	Relay, Start

Illus. No.	Part No.	DESCRIPTION
12	1182781	Cover, Terminal
14	1168655	Evaporator
15	488480	Screw, 8 x 1/2 (4)
16	680975	Washer
17	24364001	Clip, Compressor
19	1168701	Harness, Wire
20	1168722	Grommet (4)
21	1168654	Base
22	1164241	Caster (4)
25	1182780	Compressor, (Complete Assembly)

Illus. No.	Part No.	DESCRIPTION
26	1168761	Pan, Drain
27	854624	Bend, Return (9)
29	1162650	Insulation (Restrictor Tube)

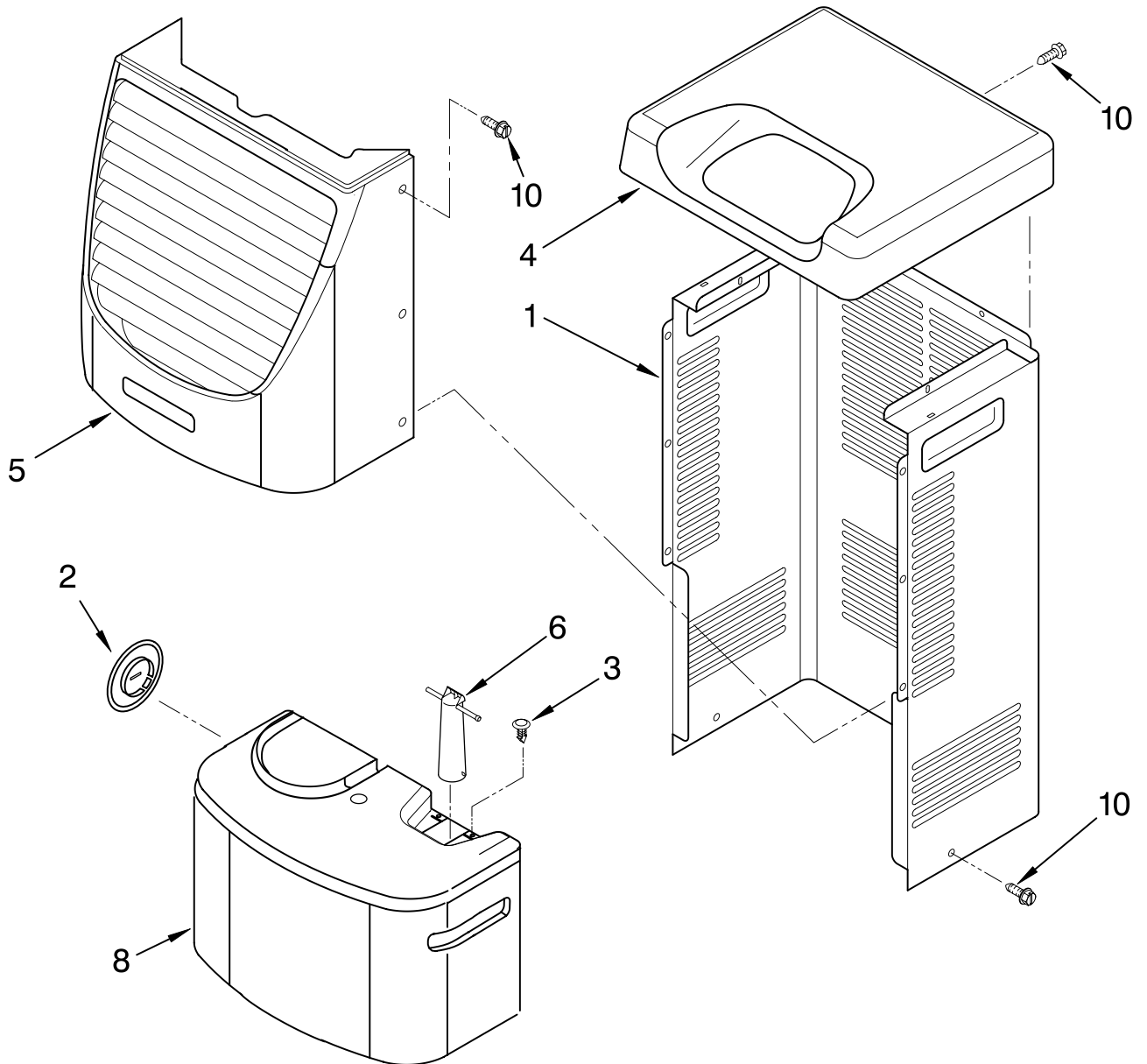
REFRIGERANT CHARGE

10.00 Oz.

**Production Compressor Requires Production Electrical Components.
Service Compressor Requires Service Electrical Components.
For Further Information, Refer to Filmcard 19.1.**

CABINET PARTS

For Model: AD50G2



Illus. No.	Part No.	DESCRIPTION
1	1168667	Cabinet
2	1172098	Cover, Hose Connection
3	1168762	Clip, Float
4	1168652	Cover, Top
5	1182600	Cover, Front
6	1172075	Float
8	1182080	Bucket, Condensate
10	1168744	Screw

Illus. No.	Part No.	DESCRIPTION
Following Parts Not Illustrated and Optional Parts Not Included		
	484310	Epoxy, Tube (Aluminum Repair)
	505168	Tape, No Drip Valve, Access
	978025	1/4" Tube O.D.
	978026	5/16" Tube O.D.
	978027	3/8" Tube O.D.

Illus. No.	Part No.	DESCRIPTION
	978028	1/2" Tube O.D.
	978029	5/8" Tube O.D.
	978030	3/4" Tube O.D.
	978865	Seal, Ring Access Valve (20 Pack)