

This Owner's Manual is provided and hosted by [Appliance Factory Parts](http://www.appliancefactoryparts.com).



GENERAL SL-16 Owner's Manual

[Shop genuine replacement parts for GENERAL SL-16](#)



[Find Your GENERAL Humidifier Parts - Select From 70 Models](#)

----- Manual continues below -----

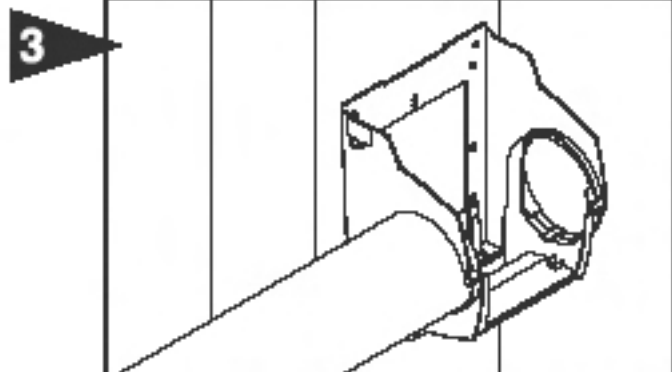
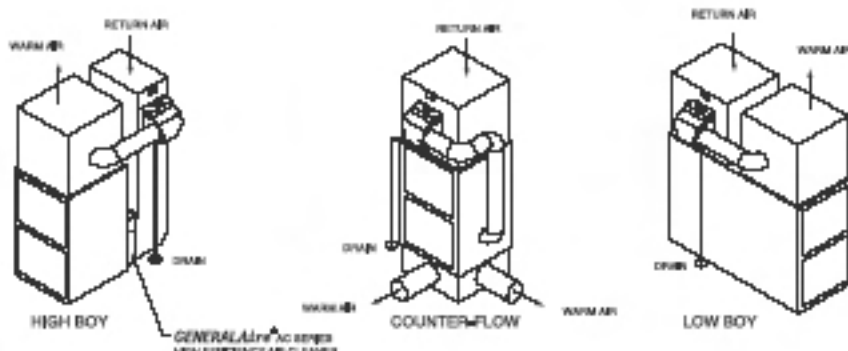
INSTALLER: PLEASE FILL OUT AND MAIL GUARANTEE CARD AFTER INSTALLATION IS COMPLETE. LEAVE INSTALLATION INSTRUCTIONS WITH HOME OWNER

PRECAUTION: The installer should be an experienced service technician. Disconnect electrical power before beginning installation. Do not install where temperatures fall below 32 degrees F or where plenum temperatures exceed 200 degrees F. When wiring into a multi-speed blower circuit see Step 7D.

INSTALLATION: The humidifier may be mounted with the 6" outlet to the right or left by reversing the position of the Bypass Cover. The humidifier may be mounted on the warm or return air plenum with equal efficiency. See Typical Installations below.

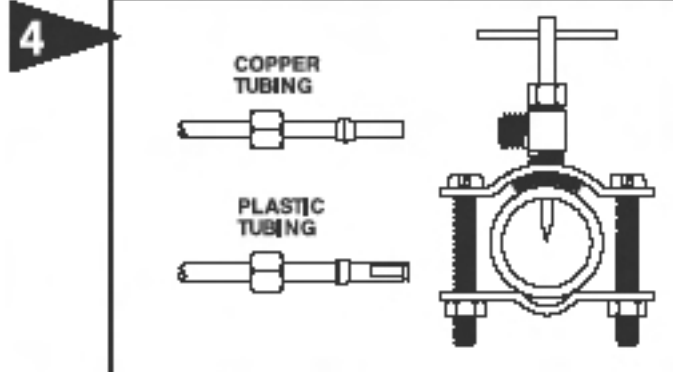
ADDITIONAL MATERIALS THAT MAY BE NECESSARY:

1. 1/4" diameter copper or plastic water supply tubing (G.F. #747-38 suggested)
2. 5/8" diameter drain tubing (G.F. #1099-16 suggested)
3. 3/4" O.D. drain tube clamp (G.F. #P-163 suggested)
4. 6" diameter galvanized by-pass pipe
5. 6" diameter galvanized elbow
6. 6" diameter galvanized damper
7. 6" diameter collar
8. wire, two-conductor #18 or heavier (G.F. #727-48 suggested)
9. transformer 120V, 60HZ primary 24V, 10VA or greater secondary (G.F. #727-58 suggested)
10. air pressure switch (G.F. Model #12500 suggested)



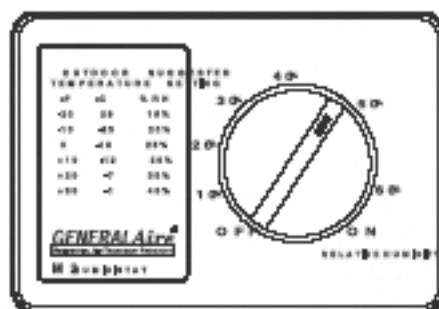
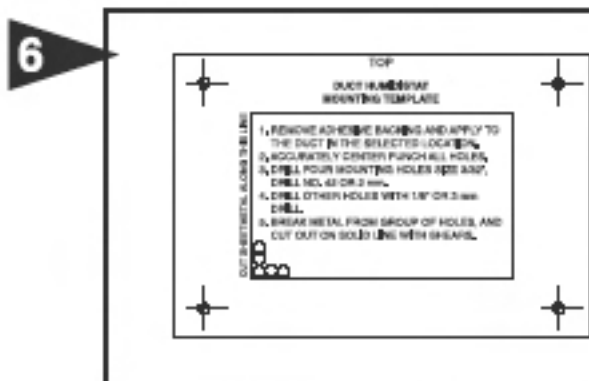
Cut 6" hole and install connecting collar, 6" elbow and by-pass pipe (not supplied). USE UNCRIMPED END IN HUMIDIFIER CABINET. Connect by-pass pipe to collar and humidifier cabinet. Using holes at top and bottom of humidifier bypass opening drill 2-1/8" holes through bypass pipe and screw by-pass pipe to humidifier cabinet. Install bypass cover by placing the tab of the bypass cover marked "TOP" behind the top flange of the humidifier cabinet, push up on the bottom clip until it clears the opening of the humidifier cabinet then push in on the bottom of the bypass cover.

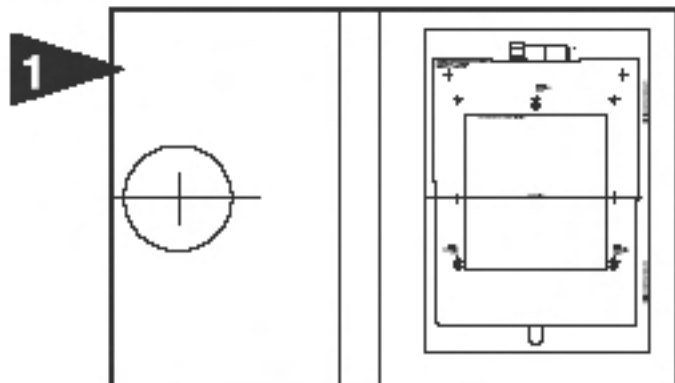
NOTE: If furnace is used for summer cooling, install inline damper in by-pass pipe.



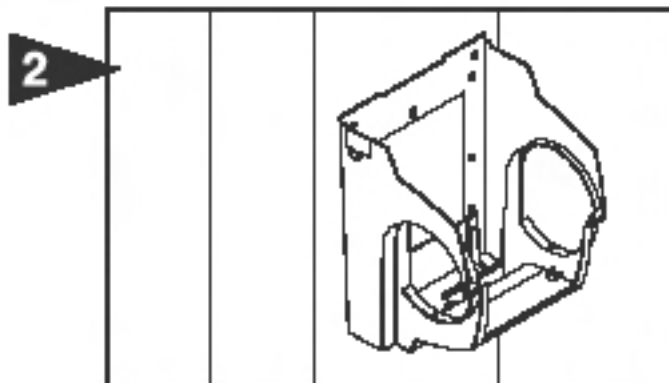
Mount the self tapping saddle valve on either a cold or a hot water pipe. A side or top mount is best to avoid clogging from pipe sediment. Connect 1/4" O.D. tubing to the saddle valve. Copper tubing requires a brass compression nut and brass sleeve. Plastic tubing requires a brass insert inside the tubing a plastic sleeve on the outside with a brass compression nut.

NOTE: DO NOT USE PLASTIC TUBING ON HOT WATER OR IN CONTACT WITH ANY HOT PLENUM SURFACE OR DUCT. INSTALLATION OF THIS SADDLE VALVE MUST MEET OR EXCEED LOCAL CODES AND ORDINANCES.





Select location on vertical surface of warm or return air plenum for mounting humidifier and tape mounting template. Make sure the template is level. Do not install humidifier or 6" bypass pipe where the blanked off ends of a cooling coil will restrict air flow to the humidifier. Extend horizontal centerline from template to the adjacent plenum. Scribe 6" circle 10" to 15" from side of humidifier, on cabinet centerline.



Center punch all 9 mounting holes on the template and drill with an 1/8" drill bit. Cut out center section of template and save humidistat mounting template. Remove remaining template and start the three initial mounting screws. Mount humidifier cabinet in level position and tighten screws. Install six additional screws at top and sides of cabinet.

SADDLE VALVE INSTALLATION INSTRUCTIONS

Copper Pipe

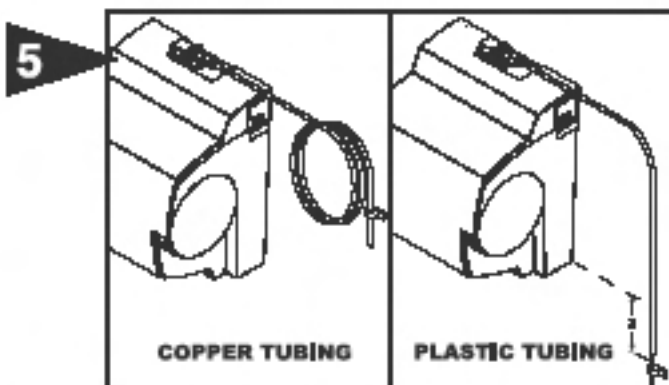
1. Retract piercing pin into valve body by turning handle counterclockwise.
2. Screw valve body into upper bracket and tighten.
3. Place rubber gasket over piercing pin.
4. Assemble saddle valve over copper pipe using enclosed screws, nuts and lower bracket.
5. Tighten screws evenly and firmly. Brackets should be parallel.
6. Complete compression connection to saddle valve outlet.
7. Turn handle clockwise to pierce tubing and close saddle valve.
8. Turn handle counterclockwise to open saddle valve, leave open for several seconds to flush dirt from pipe and tubing.

Steel, Brass or Hard Plastic Pipe

1. Shut off water supply and drain pipe.
2. Turn handle clockwise to expose piercing pin and close saddle valve.
3. Place rubber gasket over piercing pin.
4. Drill 1/8" hole in pipe using a hand crank drill to avoid shock hazard.
5. Assemble saddle valve over steel, brass or hard plastic pipe using enclosed screws, nuts and lower bracket.
6. Tighten screws evenly and firmly. Brackets should be parallel.
7. Complete compression connection to saddle valve outlet.
8. Turn handle counterclockwise to open saddle valve, leave open for several seconds to flush dirt from pipe and tubing.

Threaded Pipe Fittings

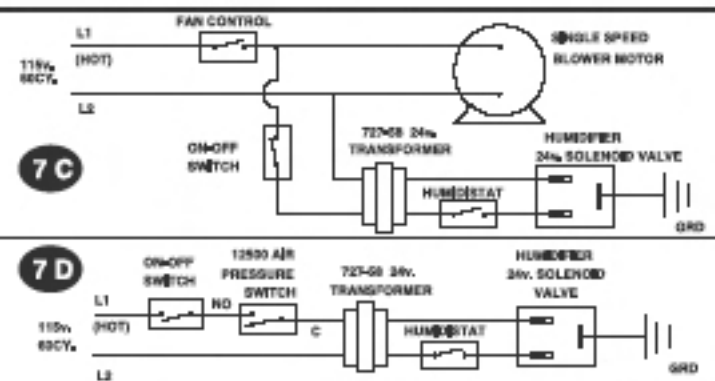
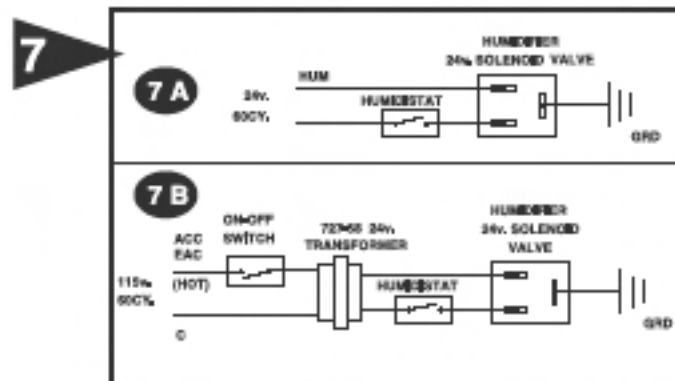
1. Turn handle clockwise to expose piercing pin and close saddle valve.
2. Seal valve body threads using pipe tape or sealant.
3. Install valve into 1/8" NPT fitting.
4. Complete compression connection to saddle valve outlet.
5. Turn handle counterclockwise to open saddle valve, leave open for several seconds to flush dirt from pipe and tubing.



Attach solenoid valve into top of humidifier cover using 1/4 turn rotation. If using copper tube, leave two coils of tube next to cabinet to allow cover movement for changing pad. If using plastic tube, anchor tube 2 inches below humidifier and leave some slack. This will allow full cover movement.

Loosen the fitting nut on the solenoid valve 1/2 turn. Push the 1/4" O.D. tubing straight into fitting until it bottoms on the fitting's shoulder. TIGHTEN NUT BY HAND. Additional tightening is not required.

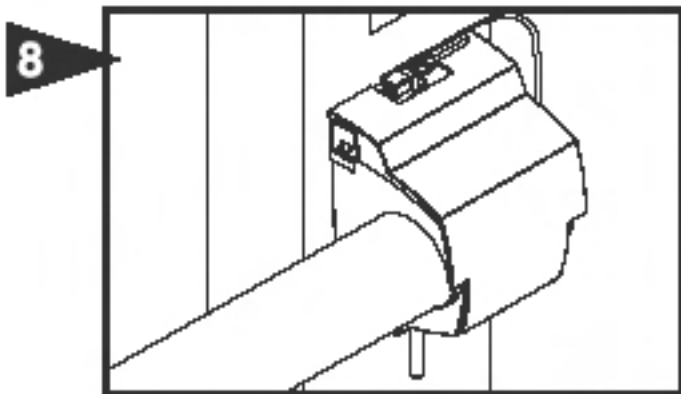
DO NOT OVERTIGHTEN NUT AS THE THREADS WILL STRIP AND THE FITTING WILL NOT FUNCTION PROPERLY. DO NOT USE PLASTIC TUBING IN CONTACT WITH ANY HOT PLENUM SURFACE OR DUCT.



MOUNTING ON THE RETURN AIR DUCT

Do not install the humidistat on the warm air duct.

1. Locate the humidistat at least 24" upstream of the humidifier or bypass on the return air duct. Avoid areas of direct radiation like secondary heat exchangers in the fan compartment.
2. Place template using level. Cut sensor hole as shown on template. Drill four 3/32" holes as shown.
3. Remove the housing from the base by prying with a small screwdriver at the notch in the side of the housing. Copy serial number, located on housing back, onto the warranty registration.
4. Place the outer part of the foam gasket on the humidistat base and mount the base with four screws. Low voltage wire may enter the humidistat under the foam seal.
5. Connect wires to screw terminals on the control assembly as shown in wiring diagram. Replace housing.



Connect drain hose to 5/8" spout on humidifier cabinet using a 3/4" hose clamp. Run 5/8" I.D. hose to suitable drain such as floor drain, sewer or laundry sink. Be sure hose has continuous slope and is not kinked at any point.

WALL MOUNTING INSTRUCTIONS

1. Choose a location for the humidistat about five feet above the floor on an inside wall with average room temperature and humidity conditions.
2. Drill a small hole in the wall and run low voltage wiring to the location chosen. Pull about 6" of wire through the hole. Plug the opening to prevent drafts from affecting the humidistat operation.
3. Remove the housing from the base by prying with a small screwdriver at the notch in the side of the housing. Copy serial number, located on housing back, onto the warranty registration.
4. Mount the base horizontally over the wires using level. Attach directly to the wall, using four screws provided.
5. Connect wires to screw terminals on the control assembly as shown in wiring diagram. Replace housing.



Remove plastic bag from 990-13 evaporator pad, replace 16-4 distributor trough and close 16-2 cover. Turn on water supply and check operation of humidifier. Set humidistat to a demand setting. With the furnace off, the solenoid valve should be closed. Start the furnace, the solenoid valve should open when the blower or burner circuit is energized. Check flow of water through distributor trough and evaporator pad. The solenoid valve will supply approximately 3.5 GPH of water at a line water pressure of 60 psi. Leave humidistat set at the recommended setting.

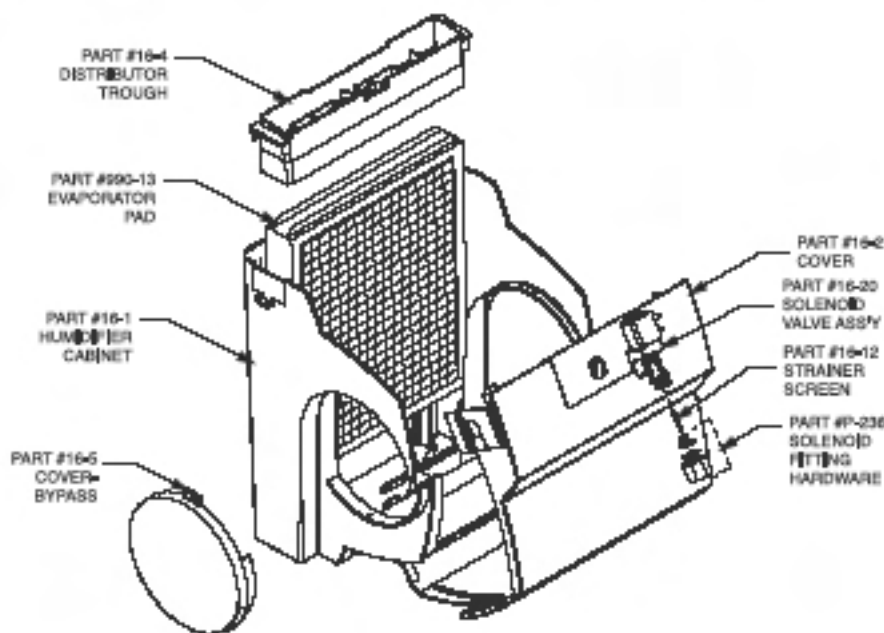
CARE AND MAINTENANCE

PARTS LIST FOR HUMIDIFIER

Your Humidifier is engineered to give helpful and trouble-free humidification. For maximum efficiency the following cleaning procedures should be carried out at the end of each heating season:

1. Turn off water supply and electrical power to humidifier.
2. Open humidifier cover, remove trough and evaporator pad. If water line prevents cover opening disconnect water line from solenoid valve. Clean excessive mineral deposits from the distributor trough, humidifier cover and humidifier cabinet. A solution of 1/2 vinegar & 1/2 water will help loosen mineral deposits.
3. If the evaporator pad has excessive mineral deposits, replace with a new "990-13" evaporator pad. Install trough and replace cover.
4. In heavy mineral areas or if the solenoid valve fails to function disconnect the 1/4" water supply line from the solenoid valve. Carefully pull the filter from the solenoid valve. Clean the mineral deposits from all parts. If the orifice beyond the filter is clogged, it may be opened by inserting a small needle. Reinsert the filter into the solenoid valve.
5. Reconnect the 1/4" water line to the solenoid valve if necessary. Tighten nut by hand, additional tightening is not required. **DO NOT OVERTIGHTEN NUT AS THE THREADS WILL STRIP AND THE FITTING WILL NOT FUNCTION PROPERLY.** Turn on the water supply and check all points for leakage. The operation of the unit may be checked by starting the furnace. The humidifier operates only when the furnace blower is running or the burner circuit is energized. The humidifier is now ready for operation.
6. During the summer, turn off water supply and electrical power to humidifier. Close inline air damper if installed.

PARTS NOT SHOWN:
800ST SADDLE VALVE
M-2 HUMIDISTAT ASSY.



© Copyright 2001,2002 GENERAL FILTERS, INC.
All Rights Reserved

FORM NO. 16-18 (FILE 11068) REV. D

Litho in U.S.A.

CUT TEMPLATE ALONG THIS LINE

INSTRUCTIONS FOR WIRING

PROVIDE SUFFICIENT WIRE TO ALLOW COVER TO FULLY OPEN. Ground wire may be omitted in most municipalities, CHECK WITH LOCAL AUTHORITIES FOR COMPLIANCE.

FIG. 7A, 7B WITH FURNACE CIRCUIT BOARD

On furnaces with output terminals HUM, ACC, or EAC check output voltage to determine if terminals are 24V, or 115V.

NOTE: ALL WIRING SHOULD COMPLY WITH LOCAL ELECTRICAL CODES.

FIG. 7C WITH SINGLE SPEED BLOWER MOTOR

On furnaces with single speed blowers, mount a 24v transformer on a junction box with 115v, primary leads connected in parallel with the blower circuit. Connect the leads from the 24v solenoid valve to the terminal screws on the transformer. Connect humidistat in series with the 24v circuit.

FIG. 7D WITH TWO SPEED BLOWER MOTOR

On furnaces with a two speed blower, the humidifier and a Model 12500 Air Pressure Switch may be wired from a continuous 115 volt power source. Install the on/off switch and Air Pressure Switch in series with the transformer primary on the hot or black wire. The Air Pressure Switch will detect furnace operation and supply power to the humidifier accordingly.

HOW THE HUMIDIFIER WORKS

The operating principle of the humidifier is based on the most efficient and economical means of evaporating water to the air. The humidifier uses only five watts of electrical power during operation, less than the smallest household light bulb. The heat necessary for evaporating water is produced by the furnace.

The water supply to the humidifier is controlled by the electric solenoid valve. The humidistat connected in series with the solenoid provides low voltage control of the humidifier. The humidistat has a SPST switch and is designed for wall mounting in the living area or surface mounting on the return air duct. RANGE: 10% to 60% RH ELECTRICAL RATING: 24 VAC / 60 Hz. DO NOT SET RELATIVE HUMIDITY TOO HIGH DURING COLD WEATHER. EXCESSIVE HUMIDITY MAY CAUSE CONDENSATION ON WINDOWS OR IN WALLS. REFER TO RECOMMENDED SETTINGS ON HUMIDISTAT.

Water flows through a strainer, is metered through an orifice to provide the proper amount of water, and is supplied to the evaporator pad by the distributor trough. Approximately 200 CFM of air is by-passed from the warm air plenum through the humidifier and returned to the cold air plenum. Moisture is evaporated to the air passing through the evaporator pad.

Minerals are not blown into the air stream as occurs in atomizing humidifiers; they are left on the evaporator pad where a high percentage is carried off with the waste water.

When the humidifier is installed and operating, no adjustments are necessary other than setting the control knob on the humidistat to the desired level of humidification.

To turn the humidifier off, close water supply valve, switch electrical power off and turn humidistat off. If furnace is used for summer cooling or ventilating close inline air damper if installed.

AT OUTSIDE TEMPERATURE		RECOMMENDED SETTING
-20°F	-29°C	15%
-10°F	-23°C	20%
0°F	-18°C	25%
+10°F	-29°C	30%
+20°F	-7°C	35%
+30°F	-1°C	40%

LIMITED WARRANTY

This humidifier, if properly registered by the return of the warranty registration card to the manufacturer, is warranted to the consumer against defects in materials and workmanship for a period of one year from the date of installation. Evaporator pads, sleeves or plates are not covered by this limited warranty or any other warranties. Any other defective parts will be repaired without charge except for removal, reinstallation and transportation costs. To obtain repair service under this limited warranty, the consumer must send the defective part or the complete humidifier to the manufacturer.

THERE ARE NO EXPRESS WARRANTIES COVERING THIS HUMIDIFIER OTHER THAN AS SET FORTH ABOVE. THE IMPLIED WARRANTIES OF MERCHANTABILITY AND FITNESS FOR A PARTICULAR PURPOSE ARE LIMITED IN DURATION TO ONE YEAR. THE MANUFACTURER ASSUMES NO LIABILITY IN CONNECTION WITH THE INSTALLATION OR USE OF THIS PRODUCT, EXCEPT AS STATED IN THIS LIMITED WARRANTY. THE MANUFACTURER WILL IN NO EVENT BE LIABLE FOR INCIDENTAL OR CONSEQUENTIAL DAMAGES.

This limited warranty gives you specific legal rights, and you may also have other rights which vary from state to state. Some states do not allow either limitations on implied warranties, or exclusions from incidental or consequential damages, so the above exclusion and limitation may not apply to you.

Any questions pertaining to this limited warranty should be addressed to the manufacturer. (U.S.A.: The manufacturer has elected not to make available the informal dispute settlement mechanism which is specified in the Magnuson-Moss Warranty Act.)

GENERAL FILTERS, INC. CANADIAN GENERAL FILTERS, LTD.
43800 GRAND RIVER AVE. LTD. 39 CROCKFORD BLVD.
NOVI, MICHIGAN 48375-1115 SCARBOROUGH, ONTARIO
M1R3B7

OWNER REGISTER ONLINE AT WWW.GENERALAIRE.COM OR
FILL IN REGISTRATION
AND MAIL TO:

GENERAL FILTERS, INC.
43800 GRAND RIVER AVE.
NOVI, MICHIGAN 48375-1115

WARRANTY REGISTRATION

MODEL SL-16 FLOW THROUGH BYPASS HUMIDIFIER

OWNER'S NAME _____

STREET ADDRESS _____

CITY _____ STATE _____ POSTAL CODE _____

DEALER'S NAME _____

STREET ADDRESS _____

CITY _____ STATE _____ POSTAL CODE _____

Humidifier _____ Humidistat _____

SERIAL NUMBER _____ SERIAL NUMBER _____

DATE OF INSTALLATION _____

Visit our website at
WWW.GENERALAIRE.COM

CUT TEMPLATE ALONG THIS LINE

OPENING CLEARANCE ABOVE THIS LINE
PREFERRED: 2 3/4 INCH.
MINIMUM: 1 3/4 INCH.



INITIAL
MOUNTING
HOLE



CUT SHEETMETAL ALONG THIS LINE

CUT TEMPLATE ALONG THIS LINE

TOP

DUCT HUMIDISTAT
MOUNTING TEMPLATE

CUT SHEETMETAL ALONG THIS LINE

1. REMOVE ADHESIVE BACKING AND APPLY TO THE DUCT IN THE SELECTED LOCATION.
2. ACCURATELY CENTER PUNCH ALL HOLES.
3. DRILL FOUR MOUNTING HOLES SIZE 3/32", DRILL NO. 42 OR 2 mm.
4. DRILL OTHER HOLES WITH 1/8" OR 3 mm DRILL.
5. BREAK METAL FROM GROUP OF HOLES, AND CUT OUT ON SOLID LINE WITH SHEARS.

CENTERLINE

INITIAL
MOUNTING
HOLE



INITIAL
MOUNTING
HOLE

