

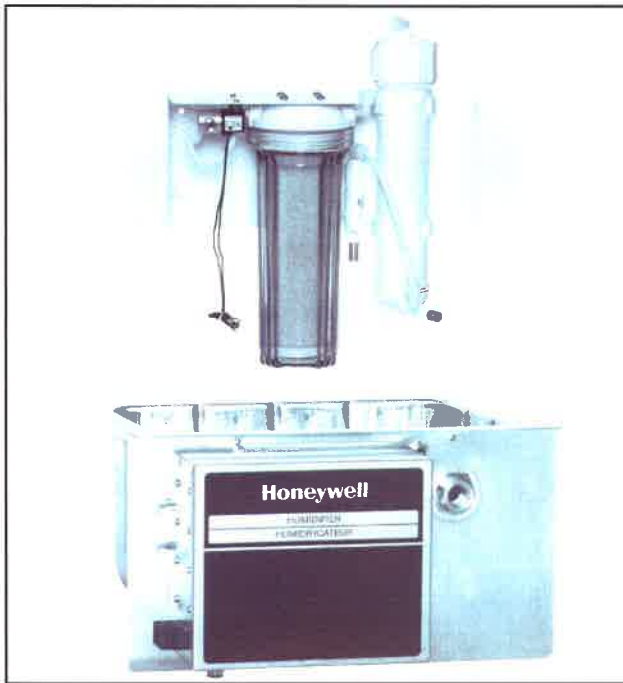
Honeywell

HE440A Steam Power Humidifier

PRODUCT DATA/OWNER'S GUIDE

FEATURES

- Humidifies the air without a call for heat from the thermostat so relative humidity fluctuates less, optimizing homeowner comfort.
- Two-stage water treatment system keeps reservoir clean; maintains operation and reduces maintenance.
- Low water cut-off switch, built-in overflow and thermal cut-off switch protection are integral safety features.
- Capable of humidifying a large area.
- Ideal for homes with extensive woodwork, hardwood floors, antiques, oil paintings, leather furniture, pianos, and fine collectibles.
- Compact size allows easy installation.
- Includes easy-to-use humidity control that mounts on the wall or duct for more installation flexibility.



APPLICATION

HE440A Steam Power Humidifier uses a thermal fan interlock control to provide whole house humidification on demand. A two-stage water treatment system keeps the reservoir clean, maintains operation and reduces maintenance. Steam power humidifiers work with furnaces, heat pumps, setback thermostats and virtually any Honeywell humidity control. Use Honeywell H1008 Automatic Humidity Control for optimal performance.

Contents

Application/Features.....	1
Specifications/Ordering Information	2
Installation	3
Wiring	5
Plumbing	6
Operation.....	7
Maintenance.....	8
Checkout/Troubleshooting.....	9
Replacement Parts.....	10



SPECIFICATIONS

Capacity:

HE440A: 12 gallons per day (gpd) or 45 liters per day (lpd).

Humidified Area:

For precise sizing and product selection, use the Honeywell HumidiCalc™ Humidifier Sizing software. If unavailable, refer to Table 1.

Internal Heating Source:

Nickel-plated brass sheathed element.
HE440A: 120 Vac, 1.5 kW, 12.5A.

Duct Opening (Height x Width):

8-1/2 in. x 11-1/2 in. (215 mm x 290 mm).

Dimensions:

See Fig. 1.

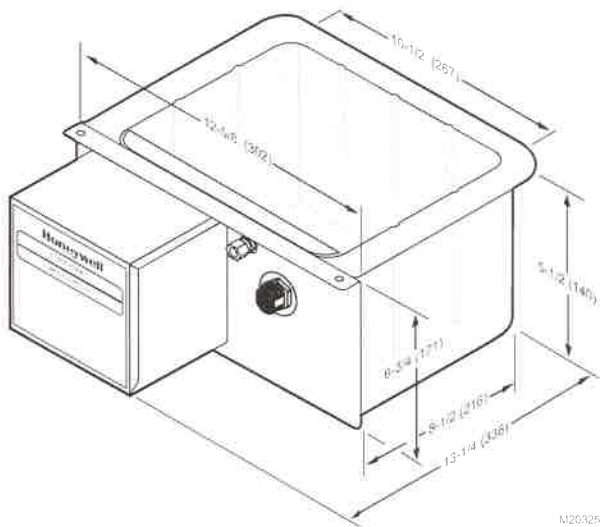


Fig. 1. HE440A dimensions in in. (mm).

Approvals:

Underwriter's Laboratories Inc: Listed 56BL.
Canadian Underwriter's Laboratories: Listed 56BL.
Air Conditioning and Refrigeration Institute Tested: Standard 610.

Models:

HE440A TRADELINE® Steam Power Humidifier package includes select hardware and H8908B Humidity Control and two-stage water treatment system with reverse osmosis (RO) membrane and chlorine filter.

Accessories:

C7089H Outdoor Temperature Sensor for use with H1008, H1008A Automatic Humidity Control with HumidiCalc™ Software (software calculates dewpoint to prevent moisture condensation).
H8908B Convertible Humidity Control (included with steam power humidifier).
50-8578 HumidiCalc™ Humidifier Sizing Software (software calculates required humidifier capacity for application).

Table 1. Size of Humidified Area.

House Description	Air Changes (per hour)	Humidified Area	
		(sq ft)	(sq m)
Loose	Two	1,415	131
Average	One	1,970	183
Tight	One-half	3,095	288

ORDERING INFORMATION

When purchasing replacement and modernization products from your TRADELINE® wholesaler or distributor, refer to the TRADELINE® Catalog or price sheets for complete ordering number.

If you have additional questions, need further information, or would like to comment on our products or services, please write or phone:

1. Your local Honeywell Automation and Control Products Sales Office (check white pages of your phone directory).
2. Honeywell Customer Care
1885 Douglas Drive North
Minneapolis, Minnesota 55422-4386

In Canada—Honeywell Limited/Honeywell Limitée, 35 Dynamic Drive, Scarborough, Ontario M1V 4Z9.

International Sales and Service Offices in all principal cities of the world. Manufacturing in Australia, Canada, Finland, France, Germany, Japan, Mexico, Netherlands, Spain, Taiwan, United Kingdom, U.S.A.

INSTALLATION

When Installing this Product ...

1. Read these instructions carefully. Failure to follow them could damage the product or cause a hazardous condition.
2. Check the rating given in the instructions and on the product to make sure the product is suitable for your operation.
3. Installer must be a trained, experienced service technician.
4. After installation is complete, check out product operation.

Select Location and Mounting Configuration

Steam Power Humidifier

There are three typical mounting configurations:

- Horizontally, under at least an 11 in. (280 mm) wide duct, using the mounting bracket (preferred mounting method).
- Horizontally, under a reinforced duct.
- Horizontally, under a duct extension, using the mounting bracket.

Select the appropriate mounting method and follow these mounting instructions. (See Fig. 2 through 4.)

- Select a location where the humidifier can be plugged in without an extension cord. (The preferred installation location is on the warm air side of the furnace.)
- If that location is not possible, mount the humidifier a minimum of 6 ft (1.8m) upstream from the furnace filter.
- Depending on the location selected, additional duct reinforcement may be necessary because the humidifier weighs 18 lb (8 kg) when filled with water.

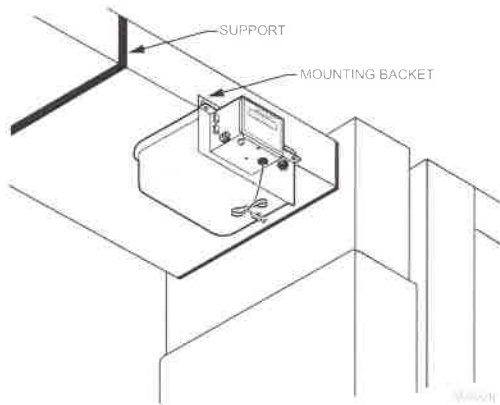


Fig. 2. Mounting humidifier horizontally under duct using mounting bracket.

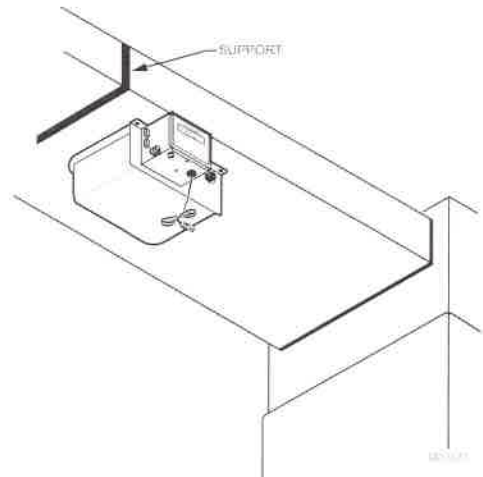


Fig. 3. Mounting humidifier horizontally under duct.

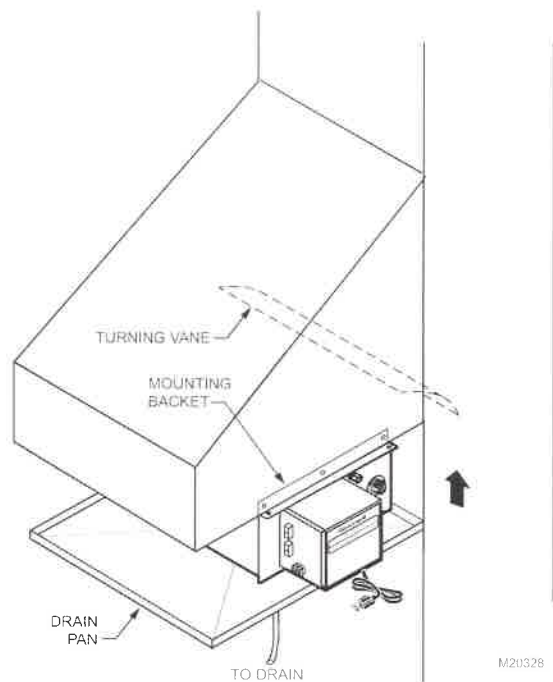


Fig. 4. Mounting humidifier horizontally under duct extension using mounting bracket.

Two-Stage Water Treatment System

Mounting holes are provided for two mounting configurations:

- Between two exposed wall studs.
- Wall mounted.

NOTE: Do not mount on duct or furnace cabinet.

Choose a location convenient for running a drain line, water supply and wiring between the humidifier, water treatment system and equipment fan.

⚠ WARNING

Electrocution, Heavy Equipment and Chemical Hazard.

Can cause death, blindness, water damage to home and heater failure.

Do not cut into any air conditioning or electrical line. Mount the humidifier in level position to avoid water damage and heater failure.

Wear safety glasses when cutting or drilling.

Reinforce duct, as necessary, to ensure stability.

⚠ CAUTION

Steam Condensation, Fire and Freezing Water Hazard.

Can cause fan or limit control failure or result in water damage in home.

Do not install humidifier where return air duct sidewalls are constructed of wood (floor joist).

Do not install humidifier where temperature is lower than 40°F (4°C) or higher than 160°F (71°C).

Mounting Steam Power Humidifier

Mount Horizontally Using Mounting Bracket (Preferred Mounting Method)

IMPORTANT

Be sure duct is at least 11 in. (280 mm) wide to use this mounting method.

The duct is the strongest when using the mounting bracket method because less duct reinforcement is required to support the bracket using this bracket location. It is important to evaluate if reinforcement is necessary to help support the weight of the humidifier and keep it level.

1. Measure and mark an 8-1/2 in. (215 mm) x 11-1/2 in. (290 mm) outline on the bottom of the duct in the desired location.
2. Drill 3/8 in. hole (10 mm) within the outlined mounting hole location. See Fig. 5.

IMPORTANT

Be sure to carefully cut around the marked lines.

3. Use the tin snips to cut around the outline.
4. Remove the sheet metal.
5. Place the two 8-1/2 in. (215 mm) S-cleat pieces (provided) on the narrow sides of the rectangular opening so the opening (slot) protrudes down and out from the duct.

6. Place the 11-1/2 in. (290 mm) piece of S-cleat on the long side of the rectangular opening closest to the center of the duct so the opening (slot) shows below the duct.
7. Use two machine screws and nuts (provided) to attach the mounting bracket (L-shaped with six holes) to the top/front surface of the humidifier. (The humidifier is now ready for mounting.)
8. Slide the humidifier tabs into the installed S-cleat. Be sure the back tab engages completely with the S-cleat and the mounting bracket touches the side of the duct.
9. Using the mounting bracket as a guide, drill three 7/64 in. (3 mm) holes through the duct.
10. Secure the humidifier to the duct with three no. 8 sheet metal screws (not provided).

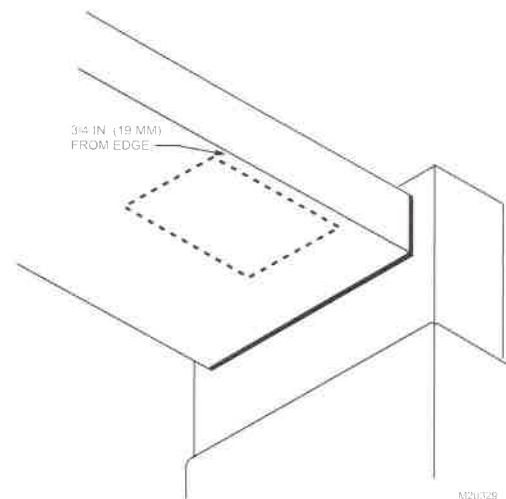


Fig. 5. Mounting hole location.

Mount Horizontally on Reinforced Duct

This method usually requires duct reinforcement to support the humidifier weight and keep it level. See Fig. 3. The mounting bracket is not used.

1. Measure and mark an 8-1/2 in. (215 mm) x 11-1/2 in. (290 mm) outline on the bottom of the duct in the desired location.
2. Drill 3/8 in. hole (10 mm) within the outlined mounting hole location.

IMPORTANT

Be sure to carefully cut around the marked lines.

3. Use the tin snips to cut around the outline.
4. Remove the sheet metal.
5. Place the two 8-1/2 in. (215 mm) S-cleat pieces on the narrow sides of the rectangular opening so the opening (slot) protrudes down and out of the duct.
6. Place the 11-1/2 in. (290 mm) piece of S-cleat on the long side of the rectangular opening, opposite the two holes previously drilled. Position so the opening (slot) protrudes down and out of the duct.
7. Slide the humidifier tabs into the installed S-cleat. Be sure the back tab engages completely with the S-cleat.
8. Secure the humidifier to the duct with two no. 8 sheet metal screws (not provided).

Mount Horizontally on Vertical Duct

Horizontal mounting on a vertical duct requires the installation of a duct extension. See Fig. 4. Additional duct reinforcement may also be necessary to help support the humidifier weight and keep it level. Create and install the duct extension.

Then follow steps 1 through 10 in Mount Horizontally Using Mounting Bracket section to complete installation.

Place a drain pan correctly connected to a suitable drain below the humidifier. See Fig. 4.

Mount Two-Stage Water Treatment System Bracket to Wall

NOTE: Be sure bracket is level.

Use four screws (not provided) to secure mounting bracket to exposed wall studs or flat wall through mounting holes provided. See Fig. 6.

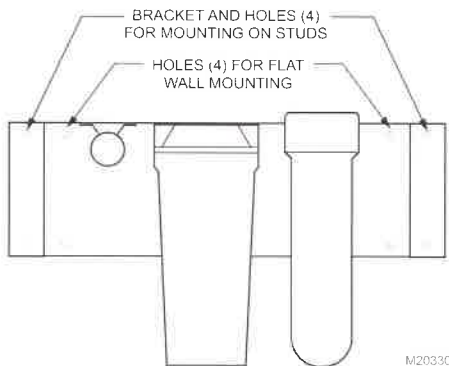


Fig. 6. Mounting water system on wall.

NOTE:

- Be sure there is an accessible drain near the water treatment system.
- Plan system location considering 20 ft (6m) cable (provided) to connect water treatment system to humidifier.
- Be sure there is adequate clearance above and below the system to replace the filters. See Fig. 12.

WIRING

All wiring must comply with local codes and ordinances. When selecting a location for mounting the humidifier, be sure connections can be made to the power source without using an extension cord.

⚠️ WARNING

**Voltage or Fire Hazard.
Can cause death or fire.**

Use a receptacle rated at 120 Vac, 15/20A (NEMA configuration 5-15R) for the HE440A Humidifier.

Equipment Fan Applications

⚠️ CAUTION

**Moisture Condensation and Wiring Hazard.
Moisture can destroy furnace electronic controls
and miswiring can burn out electrical components.**
Do not alter any heating and cooling system functions.
Be sure to wire only the system fan.

See wiring diagrams in Fig. 7-9 for typical wiring applications.

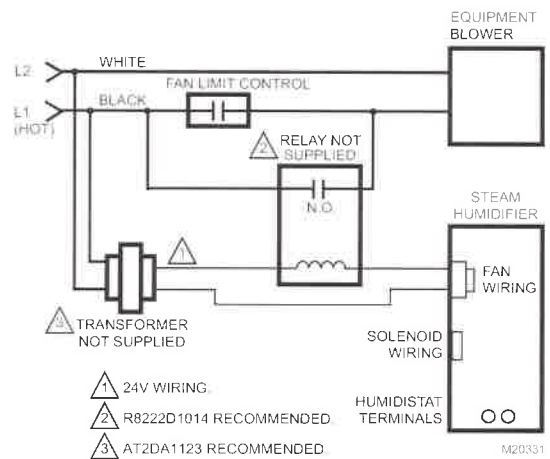


Fig. 7. Typical wiring diagram for humidifier in single-speed fan applications without air conditioning (switching through external relay).

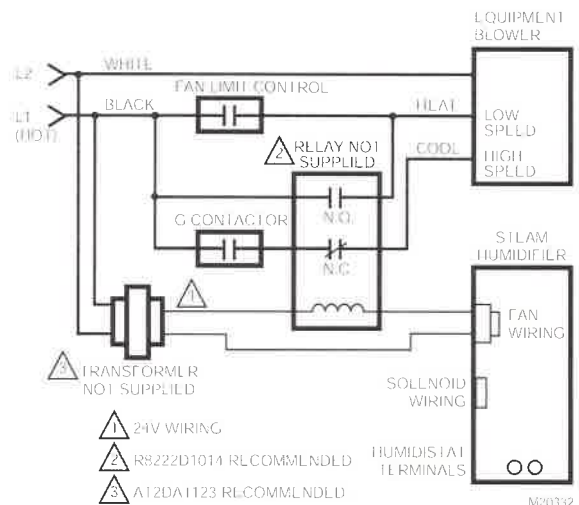


Fig. 8. Typical wiring diagram for humidifier in dual-speed fan applications with air conditioning.

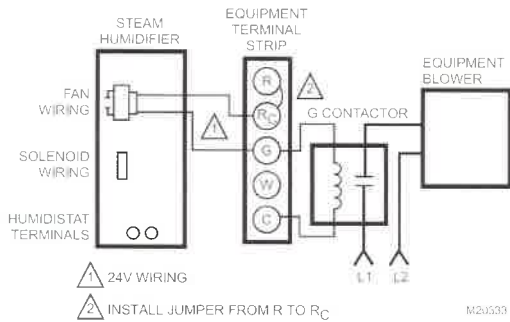


Fig. 9. Typical wiring diagram for humidifier in single-speed fan applications without air conditioning (switching through G contactor).

The humidifier has a sealed switch with a thermostatic sensor that is designed only for low voltage applications. The sealed switch is attached to the humidifier wall and is wired through a thermal switch fan plug. The switch is preset to turn on the fan when the water temperature is 170°F (76°C) and turn off the fan when the water temperature falls below 120°F (50°C).

Heat Pumps

No wiring diagrams can be suggested due to many variations and wiring complexity of heat pumps. If humidifier control fan operation is desired, be sure to design a safe control circuit using equipment diagrams and tracing the equipment wiring.

In heat pump applications, a fan sail switch must be installed due to almost continuous system fan operation. Wire the fan sail switch in series with the low voltage humidity control circuit so the humidifier is on only when the fan is operating. (In most cases, the humidifier does operate in conjunction with the system fan.)

NOTE: Wiring the humidifier to operate with the system fan limits the humidification output.

Variable-Speed Motors

Continuous speed on variable speed motors may need to be increased to provide enough air flow to prevent condensation inside the ductwork. Minimum recommended air flow, under most conditions, would be 400 cfm (680 cmh) in the duct where the humidifier is mounted.

Water Treatment

Use cable (provided) to connect plug end to humidifier and wire to solenoid using wire nuts (provided). See Fig. 10.

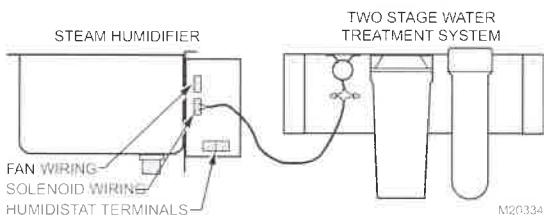


Fig. 10. Wiring water treatment system and humidifier.

Fan Failure Safety Lockout Circuit (HE440)

It is recommended using a fan failure safety lockout circuit that stops the humidifier operation if the system fan fails.

IMPORTANT

Failure to install a fan failure lockout can result in excessive condensation in the event of a motor/ blower failure.

If a safety lockout is used, be sure to design a safety control circuit:

- Use equipment diagrams and trace the equipment wiring.
- In most cases, a fan sail switch must be installed to allow the humidifier to operate only when the system fan is operating. Wire the sail switch in series with the low voltage humidity control circuit so the humidifier is on only when the system fan is operating.
- In cases where the humidifier fan wiring terminals are used to control the system fan, a time delay relay may be required to allow time for the system fan to start, prior to using the sail switch to check for fan operation.

! CAUTION

Excessive Condensation Hazard.
Can damage ductwork.

Install fan failure safety lockout circuit to stop humidifier operation if system fan fails.

Humidistat Wiring

Wire the humidistat terminals directly to the humidistat control using low voltage (18 gauge) wiring.

PLUMBING

! CAUTION

Chemical Hazard.
Can cause damage to environment or air conditioning system.

Do not use any refrigerant line connected to an air conditioner.

NOTE: Use either hard or soft water in the water treatment system.

IMPORTANT

Use only copper tubing to plumb from the humidifier to the water treatment system.

1. Locate the cold water pipe closest to water treatment system.
2. Plumb between the saddle valve (provided) and the solenoid on the water treatment system. See Fig. 11.
3. Use the saddle valve instructions to install the valve (provided). The valve is self-piercing when installed on copper pipe.

IMPORTANT

- Position the valve so water flows from the top or side to reduce the chance of clogging the valve with minerals
- Lightly clean the copper tubing ends with fine sandpaper before making any connections.

- Run 1/2 in. (12.7 mm) ID drain line from barbed fitting on water treatment system to floor drain.
- Run 1/4 in. (6.35 mm) OD copper tubing from water treatment system to humidifier.

IMPORTANT

Do not overtighten the compression nut. Moderate tightness prevents leaking.

**CAUTION****Flooding Hazard.**

Can cause water damage to equipment or home. Connect humidifier overflow drain to a suitable waste drain.

- Use a male 3/8 in. NPT fitting (not supplied) or a 3/4 in. female NPT fitting, standard garden hose (not supplied) to connect the overflow provision of the humidifier to a suitable waste drain.
- Support the drain line at several locations to prevent kinks. Be sure to provide support near any heat source.

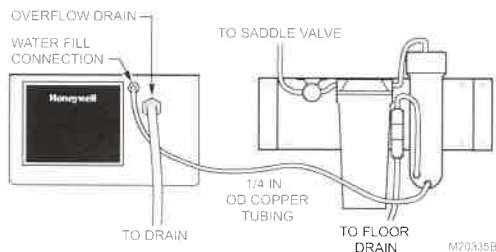


Fig. 11. Plumbing water treatment system and humidifier.

CHECKING INSTALLATION

After installation is complete, use the following procedure to check humidifier operation:

- Turn on the humidifier water supply.
- Plug in the humidifier and check that the humidifier has power. Wait a few minutes for the reservoir to fill.
- Turn the Convertible Humidity Control to the highest setting.
- Check that the furnace blower comes on to circulate the moist air. The blower may take as long as fifteen minutes to turn on.
- Reset the Convertible Humidity Control to a comfortable setting.

OPERATION

The HE440A Humidifier is controlled by the Convertible Humidity Control that is installed either on the interior wall in the living area or on the return air duct.

- Choose the humidity control setting using the combination relative humidity/outdoor temperature setting scale on your humidity control.
- Match the dial setting to the outdoor temperature to optimize the humidity level while reducing the moisture condensation on your windows.
- Use Table 2 to adjust the humidity control to the recommended setting.

NOTE: As the outside temperature drops, lower the recommended setting to accommodate the effects of dewpoint. These settings should reduce the accumulation of moisture and ice on the windows and in other areas of the house.

Some indoor activities such as cooking, showering and clothes drying can cause excessive levels of humidity and start the accumulation of moisture on the windows.

NOTE: If this condition persists for more than a few hours, set the humidity control to the lowest setting to turn off the humidifier. If the condition does not improve, ventilate the house to remove the moisture.

Table 2. Recommended Convertible Humidity Control Settings.

At Outside Temperature	Use This Setting	At Outside Temperature	Use This Setting
-20°F (-29°C)	15	+10°F (-12°C)	30
-10°F (-23°C)	20	+20°F (-7°C)	35
-0°F (-18°C)	25	Above 20°F (-7°C)	40

The HE440A Humidifier uses the principle that hot water creates water vapor. As dry air and vapor mix, the relative humidity of the air rises. The humidity control monitors the relative humidity and activates the humidifier accordingly.

When the humidity control calls for humidity, the humidifier underwater heater starts heating the water in the humidifier reservoir. When the water is warm enough, the humidifier activates a relay that turns on the furnace fan. The warm dry air from the furnace picks up the water vapor and circulates it through the home. The fan continues to circulate the air until the water cools down and then turns off the fan.

Humidified air feels warmer and more comfortable so you may be able to lower the thermostat heating setpoint and save money on heating fuel bills to give you a more comfortable environment that is also energy efficient.

MAINTENANCE

A regular maintenance program prolongs humidifier life and provides a more comfortable environment. Frequency of filter replacement depends on water conditions. Either hard or soft water can be used in the water treatment system.



CAUTION

Voltage Hazard.

Can cause electrical shock and equipment damage.

Unplug device to disconnect power supply before installing or servicing.

IMPORTANT

Never oil any part of the humidifier.

Every Year — 3 to 6 Months of Operation (Depending on Usage and Water Quality)

Use the following procedure and see Fig. 12 to replace the chlorine filter.

IMPORTANT

Regularly replacing the chlorine filter protects the RO filter.

1. Unplug the humidifier.
2. Replace chlorine filter. Use hand tool (provided) to loosen housing.

IMPORTANT

- Be sure gaskets on both ends of filter are removed from housing with the old filter.
- Be sure new gaskets (provided with filter) are installed.

Every 2 to 3 Years (Depending on Usage and Water Quality)

Use the following procedure and see Fig. 12 to replace both chlorine filter and RO filter.

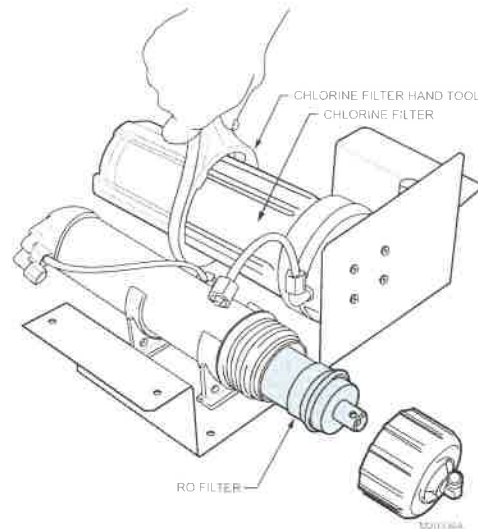


Fig. 12. Replacing filters.

IMPORTANT

Regularly replacing RO filter reduces the potential for deposit buildup in the reservoir.

1. Unplug the humidifier.
2. Replace chlorine filter. Use hand tool (provided) to loosen housing.

IMPORTANT

- Be sure gaskets on both ends of filter are removed from housing with the old filter.
- Be sure new gaskets (provided with filter) are installed.

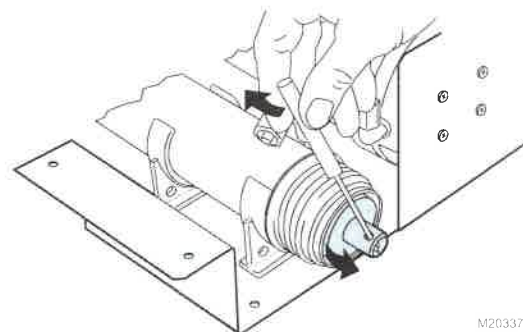
3. Disconnect the tubing between the chlorine filter and the reverse osmosis (RO) filter.
4. Unscrew the cap on the RO filter.

NOTE: Do not twist the elbow fitting on the RO cap (allow it to turn with the cap).

5. Replace the RO filter.

HINT: Carefully use a small screwdriver to help lever the RO filter out of the casing. (See Fig. 13.)

6. Reconnect tubing.



M20337

Fig. 13. Removing RO filter.

End of Humidification Season

Drain the humidifier at the end of the humidification season.

1. Unplug the humidifier.
2. Turn off the water supply.

IMPORTANT

Be sure to allow water to cool before continuing.

3. Remove the drain plug at the bottom of the humidifier and allow the water to drain into a bucket.
4. Replace the plug.
5. Remove, clean the reservoir of deposit buildup, as necessary, and replace reservoir.
6. Empty water from chlorine housing.
7. At the beginning of the next humidifier season:
 - Turn on the water supply.
 - Plug in the humidifier.

Vacation

When you leave on vacation, you can turn off the humidifier, if desired. To turn it off, just unplug the humidifier.

CHECKOUT

After winter startup or maintenance, use the following procedure to check humidifier operation:

1. Turn on the humidifier water supply.
2. Be sure the humidifier has power and plug in the humidifier.
3. Turn the Convertible Humidity Control to the highest setting.
4. Check that the furnace blower turns on to circulate the moist air. The blower can take as long as fifteen minutes to turn on.
5. Reset the convertible Humidity Control to a comfortable setting.

TROUBLESHOOTING

Refer to Table 3 for troubleshooting procedures.

Table 3. Troubleshooting Procedures.

Problem	What To Look For	What To Do
Low humidity	Furnace blower not operating.	<ul style="list-style-type: none"> • Reset circuit breaker or check for blown fuse. • Check that the furnace power is on. • Check all external wiring connections. • Check the humidity control setting. • Call a professional heating contractor.
	Rapid air changes. Drafts (cold air is dry and is an added load for the humidifier).	<ul style="list-style-type: none"> • Keep doors and windows closed. • Close fireplace damper when not in use. • Keep exhaust fan running time to a minimum. • Seal around doors and windows.
	Clogged prefilter.	<ul style="list-style-type: none"> • Replace prefilter (chlorine).
High humidity	Condensation on the walls.	<ul style="list-style-type: none"> • Turn off humidity control and water until condensation is completely evaporated.
	Heavy condensation on windows.	<ul style="list-style-type: none"> • Turn down humidity control low enough to eliminate condensation caused by moisture from bathing, mopping, coking, etc. If moisture persists, more ventilation is needed.
Leaking connection.	Loose fitting.	<ul style="list-style-type: none"> • Hand-tighten fitting.

WIRING DIAGRAM



CAUTION

Line Voltage and High Temperature Hazard.

Can cause personal injury.

Only a qualified contractor should troubleshoot and repair steam power humidifiers.

The internal wiring diagram is provided to assist service technician troubleshooting and repair. See Fig. 14.

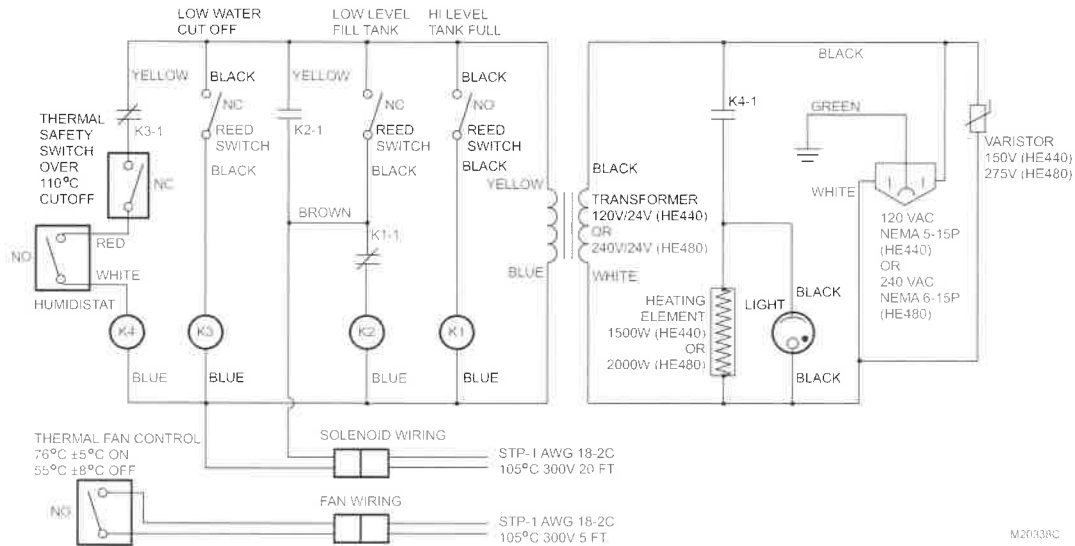


Fig. 14. Internal wiring diagram for empty-state reservoir.

REPLACEMENT PARTS

See Fig. 15 for exploded view and Tables 4 and 5 part numbers for replacement filters and other parts.

Filters

Table 4. Filter Part Numbers.

Exploded View No.	Part No.	Part Name
1 and 2	32006450-001	Filter Pack (1 RO and 2 chlorine filters)
1	32006451-001	Chlorine Filter

Parts

Table 5. Replacement Part Numbers.

Exploded View No.	Part No.	Part Name
3	32006440-001	Solenoid Wiring Cable (20 ft)
4	32006441-001	System Fan Wiring Cable (5 ft)
5	32006442-001	Thermal Fan Switch
6	32006443-001	Transformer (120/24, HE440)
7	32006444-001	Solenoid Valve
8	32006445-001	Relay
9	32006446-001	Float, long stem assembly
10	32006447-001	Float, short stem assembly
11	32006448-001	On Light (120V, HE440)
12	32006449-001	Heating Element (1500W, 120V, HE440)
13	H8908B1002	Humidistat
14	H1008A1008	Automatic Humidistat with HumidiCalc™

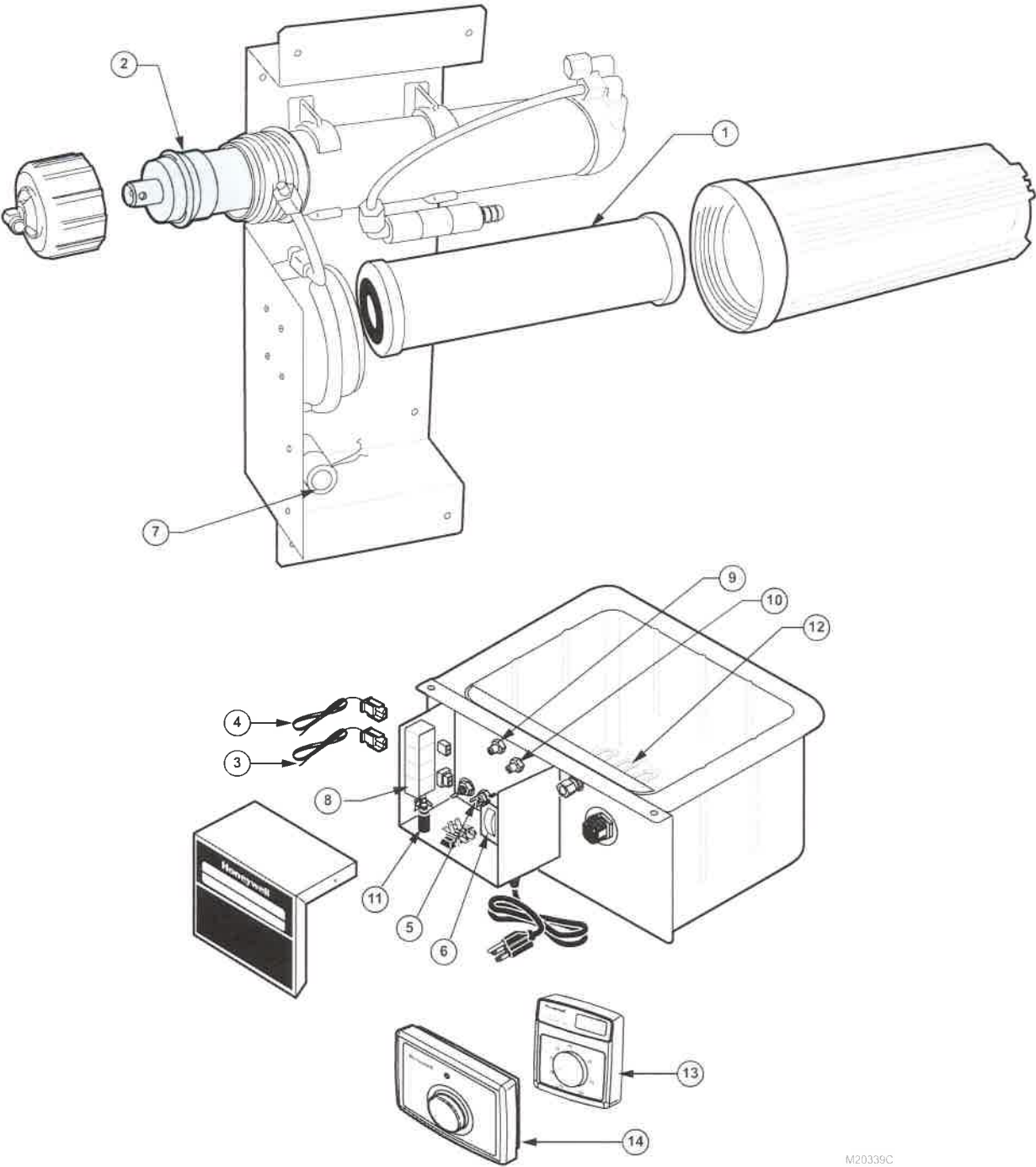


Fig. 15. Exploded view.

M20339C

Automation and Control Solutions

Honeywell International Inc.
1985 Douglas Drive North
Golden Valley, MN 55422
customer.honeywell.com

Honeywell Limited-Honeywell Limitée
35 Dynamic Drive
Scarborough, Ontario M1V 4Z9

Honeywell

® U.S. Registered Trademark
© 2005 Honeywell International Inc.
68-0265EF-3 G.H. Rev. 01-05



Printed in U.S.A. on recycled
paper containing at least 10%
post-consumer paper fibers.

Humidificateurs à vapeur HE440A

NOTICE TECHNIQUE ET GUIDE D'UTILISATION

CARACTÉRISTIQUES

- Humidifient l'air sans que le thermostat effectue un appel de chaleur, ce qui réduit les fluctuations de l'humidité relative et assure un confort optimal.
- L'appareil de traitement de l'eau à deux étages garde le réservoir propre, assure un bon fonctionnement et réduit la maintenance.
- Comprennent les dispositifs de sécurité suivants : interrupteur d'arrêt en cas de faible niveau d'eau, dispositif de trop-plein et coupe-circuit thermique.
- Conçus pour humidifier de grandes superficies.
- Idéal pour les maisons avec nombreuses boiseries, parquets en bois dur, meubles antiques, tableaux à l'huile, meubles en cuir, piano et pièces de collection.
- Compacts, ils s'installent facilement.
- Comprennent un hygrostat facile à utiliser, à montage mural ou sur gaine, au choix.

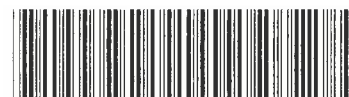


APPLICATION

L'humidificateur à vapeur HE440A, muni d'une commande thermique asservie de ventilateur, humidifie l'air partout dans la maison, sur demande. Un appareil de traitement de l'eau à deux étages garde le réservoir propre, assure un bon fonctionnement et réduit la maintenance. Les humidificateurs à vapeur sont conçus pour fonctionner avec les systèmes de chauffage, les pompes à chaleur, les thermostats à décalage et presque tous les hygromètres Honeywell. Pour un rendement optimal, utiliser l'hygrostat H1008.

Table des matières

Application et caractéristiques	1
Caractéristiques techniques/Pour commander	2
Installation	3
Câblage	6
Plomberie	7
Fonctionnement/Vérification de l'installation	8
Maintenance	9
Vérification/Dépannage	10
Pièces de rechange	12



CARACTÉRISTIQUES TECHNIQUES

Capacité :

HE440A : 45 litres par jour (12 gallons par jour).

Superficie humidifiée :

Calculer avec précision la superficie et choisir le produit qui convient à l'aide du logiciel HumidiCalc^{mc} ou du Tableau 1.

Source de chauffage interne

Élément scellé en laiton nickelé :

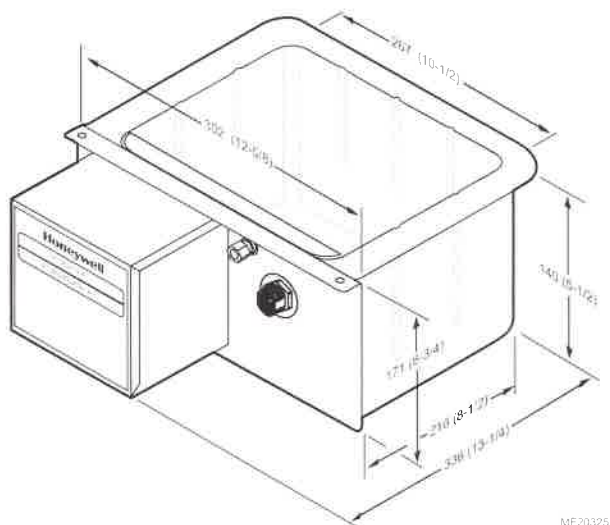
HE440A : 120 V c.a., 1,5 kW, 12,5 A.

Ouverture de gaine (hauteur x largeur)

215 mm x 290 mm (8 1/2 po x 11 1/2 po).

Encombrement :

Voir la Fig. 1.



MF20325

Fig. 1. Encombrement de l'humidificateur en mm (po).

Homologations :

Laboratoires des assureurs inc. : 56BL.

Laboratoires des assureurs du Canada : 56BL.

Essai du Air Conditioning and Refrigeration Institute : conforme à la norme 610.

Modèles :

La trousse d'humidificateur à vapeur HE440A

Tradeline® comprends l'hygrostat H8908B et la

quincaillerie, un appareil de traitement de l'eau à deux étages avec membrane à osmose inverse (OI) et filtre d'élimination de chlore.

Accessoires :

C7089H Capteur de température extérieure à utiliser avec le H1008.

H1008A Hygrostat avec logiciel HumidiCalc^{mc} (le logiciel calcule le point de rosée afin d'empêcher la condensation).

H8908B Hygrostat convertible (compris avec l'humidificateur à vapeur).

50-8578 Logiciel de mesure de capacité HumidiCalc^{mc} (le logiciel calcule le degré d'humidification nécessaire en fonction de l'application).

Tableau 1. Superficie humidifiée.

Description de la maison	Nombre de renouvellements d'air (par heure)	Superficie humidifiée	
		(pi ²)	(m ²)
Peu étanche	Deux	1 415	131
Moyennement étanche	Un	1 970	183
Très étanche	Un-demi	3 095	288

POUR COMMANDER

Au moment d'acheter des produits de modernisation ou de remplacement auprès de votre grossiste ou distributeur

TRADELINE®, consultez le catalogue TRADELINE® ou les tarifs pour obtenir le numéro de pièce.

Prière d'adresser toute question additionnelle, demande d'information ou commentaires sur les produits et services par écrit ou par téléphone :

1. Au bureau des ventes de produits de régulation et d'automatisation Honeywell de votre localité (consulter les pages blanches de l'annuaire téléphonique).
2. À Honeywell Customer Care
1885 Douglas Drive North
Minneapolis, Minnesota 55422-4386

Au Canada : Honeywell Limited-Honeywell Limitée, 35 Dynamic Drive, Scarborough (Ontario) M1V 4Z9. Points de vente et de service dans toutes les grandes villes du monde. Usines en Allemagne, en Australie, au Canada, en Espagne, aux États-Unis, en Finlande, en France, au Japon, au Mexique, aux Pays-Bas, au Royaume-Uni et à Taiwan.

INSTALLATION

Avant d'installer ce produit...

1. Lire les présentes instructions attentivement. Le fait de ne pas les suivre pourrait endommager le produit et constituer un danger.
2. Vérifier les caractéristiques spécifiées dans les instructions et celles sur le produit, et s'assurer que celui-ci convient à l'usage prévu.
3. L'installateur doit être un technicien d'expérience ayant reçu une formation pertinente.
4. Une fois l'installation terminée, vérifier le fonctionnement du produit.

Choix de l'emplacement et configuration du montage

Humidificateur à vapeur

L'humidificateur peut être installé de trois façons :

- Horizontalement en dessous d'une gaine d'au moins 280 mm (11 po) de largeur, au moyen d'un support de montage (montage recommandé).
- Horizontalement en dessous d'une gaine renforcée.
- Horizontalement en dessous d'un prolongement de gaine, au moyen d'un support de montage.

Déterminer la façon appropriée et suivre les instructions de montage suivantes (voir les Fig. 2 à 4) :

- Choisir un endroit où l'humidificateur peut être branché sans cordon prolongateur (de préférence, du côté air chaud de l'appareil de chauffage).
- S'il est impossible de le monter de la façon indiquée ci-dessus, installer l'humidificateur à au moins 1,8 m (6 pi) en amont du filtre de l'appareil de chauffage.
- Selon l'endroit choisi, renforcer la gaine si nécessaire car une fois rempli d'eau, l'humidificateur pèse 8 kg (18 lb).

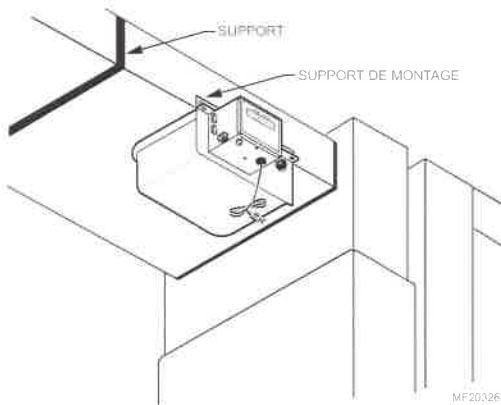


Fig. 2. Montage horizontal de l'humidificateur en dessous de la gaine au moyen d'un support de montage.

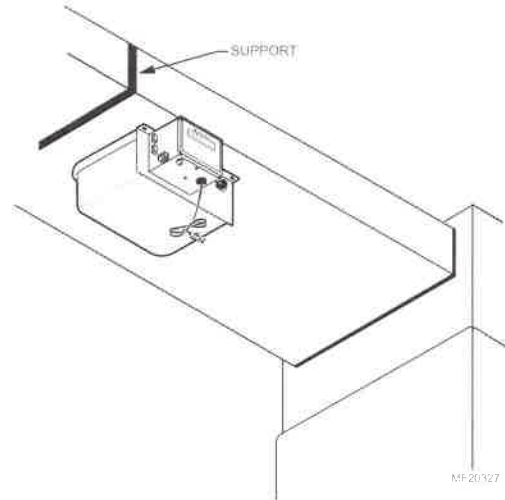


Fig. 3. Montage horizontal de l'humidificateur en dessous de la gaine.

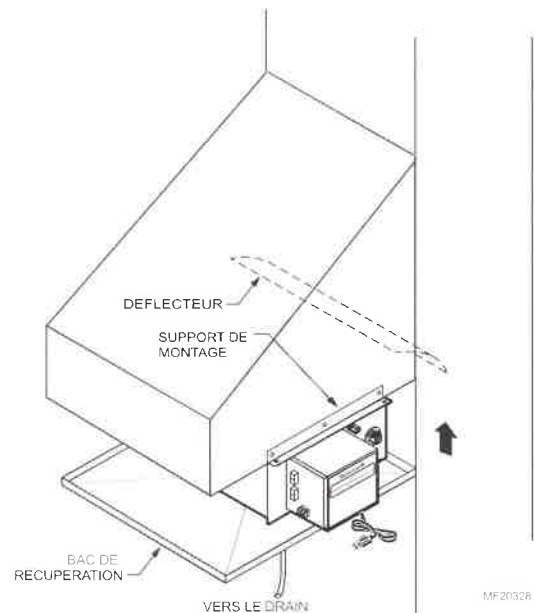


Fig. 4. Montage horizontal de l'humidificateur en dessous du prolongement de gaine au moyen d'un support de montage.

Appareil de traitement de l'eau à deux étages

Les trous de montage permettent d'installer l'appareil de deux façons :

- Entre deux colombages apparents
- Au mur

REMARQUE : Ne pas installer l'appareil sur une gaine ou sur l'enveloppe de l'appareil de chauffage.

Choisir un endroit permettant de monter facilement un tuyau de vidange, l'alimentation d'eau et les fils entre l'humidificateur, l'appareil de traitement de l'eau et le ventilateur du système.

⚠ AVERTISSEMENT

Matériel lourd, risque d'électrocution et risque chimique.

Peut causer la mort, la cécité, des dégâts par l'eau dans la maison et une panne de l'élément chauffant.

Ne pas percer le système de refroidissement ni couper les fils électriques.

Monter l'humidificateur de manière qu'il soit de niveau afin d'éviter les dégâts par l'eau et une panne de l'élément chauffant.

Porter des lunettes de sécurité pour couper ou percer. Renforcer la gaine, si nécessaire, pour que l'appareil soit parfaitement stable.

⚠ MISE EN GARDE

Risque de condensation de vapeur, d'incendie et de gel de l'eau.

Peut causer une panne du ventilateur ou du limiteur et des dégâts par l'eau dans la maison.

Ne pas installer l'humidificateur sur une gaine de retour d'air dont les côtés sont en bois (solives de plancher).

Ne pas installer l'humidificateur dans un endroit où la température est inférieure à 4 °C (40 °F) ou supérieure à 71 °C (160 °F).

Montage de l'humidificateur à vapeur

Montage horizontal au moyen d'un support de montage (montage recommandé)

IMPORTANT

Si ce montage est choisi, s'assurer que la gaine mesure au moins 280 mm (11 po) de largeur.

Ce type de montage rend la gaine plus solide que les autres types de montage car il faut moins la renforcer pour qu'elle soutienne le support. Il est très important de vérifier s'il faut renforcer la gaine pour qu'elle soutienne le poids de l'humidificateur et que celui-ci reste de niveau.

1. Mesurer, puis tracer une ligne de 215 mm (8 1/2 po) x 290 mm (11 1/2 po) sur la partie inférieure de la gaine, à l'endroit désiré.
2. Percer un trou de 10 mm (3/8 po) à l'intérieur du trou de montage tracé. Voir la Fig. 5.

IMPORTANT

Découper avec soin le contour des lignes tracées.

3. Utiliser des cisailles à tôle pour découper le contour.
4. Enlever la tôle.
5. Placer les deux cales en S de 215 mm (8 1/2 po) fournies sur les côtés étroits de l'ouverture rectangulaire de manière que l'ouverture (la fente) fasse saillie vers le bas et l'extérieur de la gaine.
6. Placer la cale en S de 290 mm (11 1/2 po) sur le côté long de l'ouverture rectangulaire, le plus près possible du centre de la gaine de manière que l'ouverture (la fente) soit visible sous la gaine.
7. Fixer le support de montage (en forme de L et percé de six trous) sur le dessus et l'avant de l'humidificateur au moyen des deux vis mécaniques et écrous fournis. (L'humidificateur peut maintenant être installé.)
8. Glisser les pattes de l'humidificateur dans la cale en S montée. Vérifier si la patte arrière est complètement engagée dans la cale en S et si le support de montage touche le côté de la gaine.
9. En utilisant le support de montage comme guide, percer trois trous de 3 mm (7/64 po) dans la gaine.
10. Fixer l'humidificateur sur la gaine avec trois vis à tôle n° 8 (non fournies).

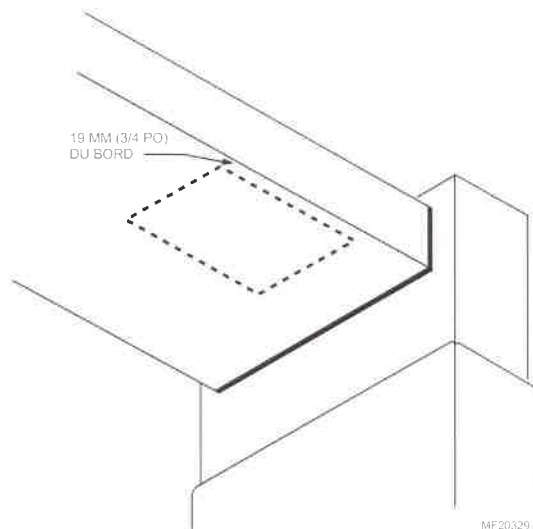


Fig. 5. Emplacement du trou de montage.

Montage horizontal sur une gaine renforcée

Pour ce montage, il faut habituellement renforcer la gaine de manière qu'elle soutienne le poids de l'humidificateur et que celui-ci reste de niveau. Voir la Fig. 3. Le support de montage n'est pas utilisé.

1. Mesurer, puis tracer une ligne de 215 mm (8 1/2 po) x 290 mm (11 1/2 po) sur la partie inférieure de la gaine, à l'endroit désiré.
2. Percer un trou de 10 mm (3/8 po) à l'intérieur du trou de montage tracé.

IMPORTANT

Découper avec soin le contour des lignes tracées.

3. Utiliser des cisailles à tôle pour découper le contour.
4. Enlever la tôle.

5. Placer les deux cales en S de 215 mm (8 1/2 po) sur les côtés étroits de l'ouverture rectangulaire de manière que l'ouverture (la fente) fasse saillie vers le bas et l'extérieur de la gaine.
6. Placer la cale en S de 290 mm (11 1/2 po) sur le côté long de l'ouverture rectangulaire, du côté opposé aux deux trous percés précédemment. La placer de manière que l'ouverture (la fente) fasse saillie vers le bas et l'extérieur de la gaine.
7. Glisser les pattes de l'humidificateur dans la cale en S montée. Vérifier si la patte arrière est complètement engagée dans la cale en S.
8. Fixer l'humidificateur sur la gaine à l'aide de deux vis à tôle n° 8 (non fournies).

Montage horizontal sur une gaine verticale

Le montage horizontal sur une gaine verticale nécessite l'installation d'un prolongement de gaine. Voir la Fig. 4. Il est parfois également nécessaire de renforcer la gaine pour qu'elle soutienne le poids de l'humidificateur et que celui-ci reste de niveau.

Fabriquer un prolongement de gaine et l'installer. Puis terminer l'installation en suivant les étapes 1 à 10 de la section Montage horizontal au moyen d'un support de montage.

Placer le bac de récupération raccordé à un drain convenable sous l'humidificateur. Voir la Fig. 4.

Montage mural de l'appareil de traitement de l'eau à deux étages

REMARQUE : S'assurer que le support est de niveau.

Utiliser quatre vis (non fournies) pour fixer le support de montage aux colombages apparents ou au mur plat. Insérer les vis dans les trous de montage percés. Voir la Fig. 6.

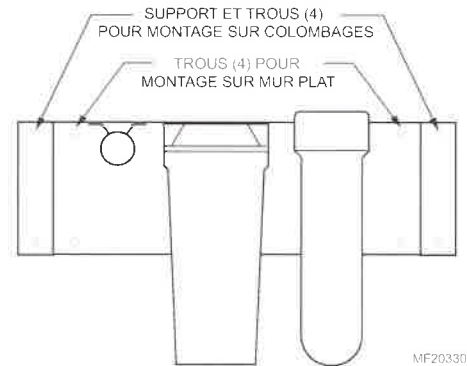


Fig. 6. Montage mural de l'appareil de traitement de l'eau.

REMARQUE :

- S'assurer qu'il y a un drain facile d'accès près de l'appareil de traitement de l'eau.
- Choisir l'emplacement de l'appareil de traitement de l'eau en tenant compte de la longueur du câble fourni pour la connexion de l'appareil à l'humidificateur, soit 6 m (20 pi).
- Prévoir suffisamment d'espace au-dessus et en dessous de l'appareil pour le remplacement des filtres. Voir la Fig. 12.

CÂBLAGE

Le câblage doit être conforme aux codes et règlements locaux. S'assurer que l'humidificateur sera connecté directement, sans cordon prolongateur.

⚠️ AVERTISSEMENT

Risque de chocs électriques ou d'incendie. Peut causer la mort ou un incendie.

Connecter l'humidificateur HE440A dans une prise 120 V c.a., 15/20 A (NEMA 5-15R).

Applications du ventilateur du système

⚠️ MISE EN GARDE

Risques liés à la condensation et à un défaut de câblage.

L'humidité peut abîmer les commandes électroniques de l'appareil de chauffage et un mauvais câblage peut griller les composants électriques.

Ne pas modifier aucune des fonctions du système de chauffage ou de refroidissement.

S'assurer de raccorder le ventilateur du système seulement.

Voir les schémas de câblage pour applications types aux Fig. 7 à 9.

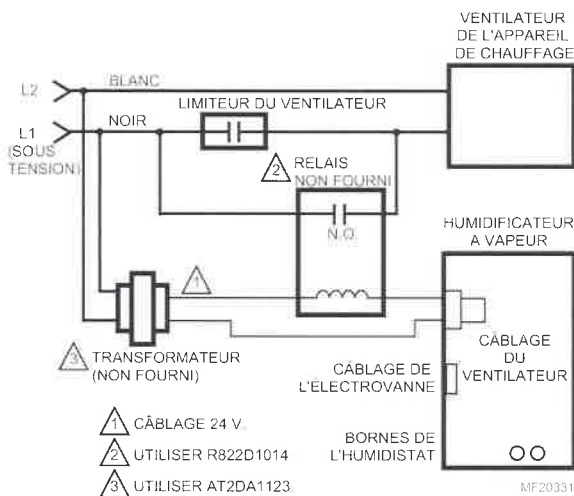


Fig. 7. Schéma de câblage type de l'humidificateur dans les applications avec ventilateur à une vitesse, sans refroidissement (commutation au moyen d'un relais externe).

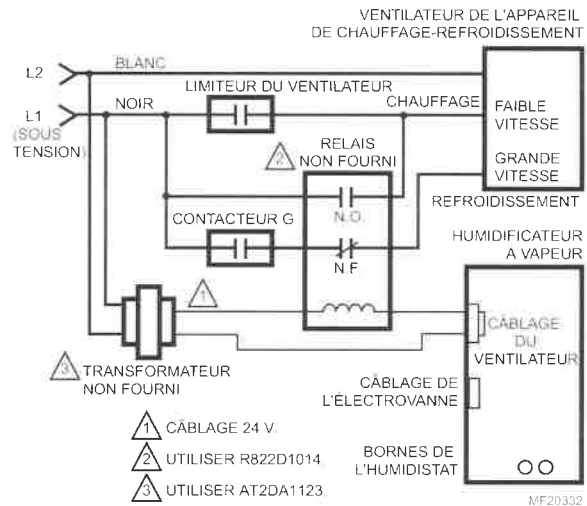


Fig. 8. Schéma de câblage type de l'humidificateur dans les applications avec ventilateur à deux vitesses et avec refroidissement.

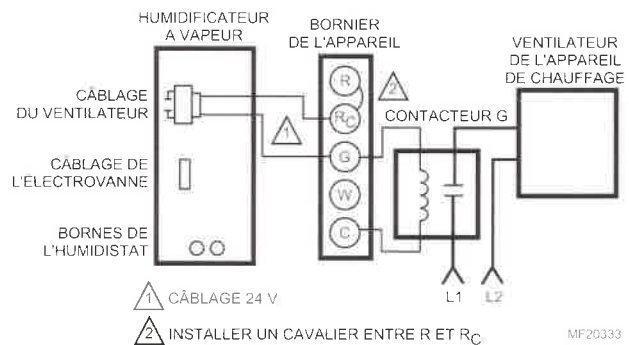


Fig. 9. Schéma de câblage type de l'humidificateur dans les applications avec ventilateur à une vitesse sans refroidissement (commutation au moyen d'un contacteur G).

L'humidificateur comprend un interrupteur scellé à capteur thermostatique conçu uniquement pour les applications à basse tension. L'interrupteur scellé est fixé sur la paroi de l'humidificateur et raccordé au moyen d'une prise d'interrupteur thermique de ventilateur. L'interrupteur est réglé de manière à faire fonctionner le ventilateur lorsque la température de l'eau est à 76 °C (170 °F) et à l'arrêter lorsque la température de l'eau descend à 50 °C (120 °F).

Pompes à chaleur

Aucun schéma de câblage n'est montré vu les nombreuses différences entre les pompes à chaleur et la complexité de leur câblage. Dans les cas où le fonctionnement de l'humidificateur avec ventilateur est désiré, il est très important de concevoir un circuit de commande sûr à l'aide des schémas de la pompe à chaleur et de tracer le schéma de câblage de l'appareil.

Dans les applications pour pompes à chaleur, un interrupteur à ailette pour le ventilateur doit être installé car le ventilateur du système fonctionne presque continuellement. Raccorder l'interrupteur à ailette de ventilateur en série avec le circuit de commande de l'humidité basse tension de manière que l'humidificateur fonctionne seulement lorsque le ventilateur est en marche. (Dans la plupart des installations, l'humidificateur fonctionne en même temps que le ventilateur du système.)

REMARQUE : Le fait de raccorder l'humidificateur pour qu'il fonctionne avec le ventilateur du système réduit le degré d'humidité.

Moteurs à vitesse variable

La vitesse continue des moteurs à vitesse variable doit parfois être augmentée afin d'assurer un débit d'air suffisant et d'empêcher la condensation dans les gaines. Le débit d'air minimum recommandé dans la plupart des cas est de 680 mètres cubes par heure (400 pieds cubes par minute) dans la gaine sur laquelle l'humidificateur est installé.

Traitement de l'eau

Utiliser le câble fourni pour brancher la prise sur l'humidificateur, puis raccorder à l'électrovanne à l'aide des connecteurs fournis. Voir la Fig. 10.

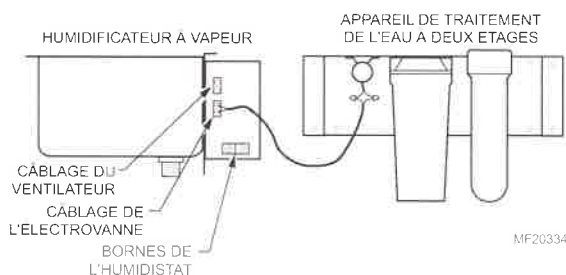


Fig. 10. Câblage de l'appareil de traitement de l'eau et de l'humidificateur.

Circuit de verrouillage en cas de panne du ventilateur (HE440)

Il est recommandé d'utiliser un circuit de verrouillage qui interrompra le fonctionnement de l'humidificateur en cas de panne du ventilateur.

IMPORTANT

L'absence de circuit de verrouillage peut provoquer une trop grande condensation en cas de panne du moteur ou du ventilateur.

Si un dispositif de verrouillage est installé, s'assurer de concevoir un circuit de commande de verrouillage :

- Utiliser les schémas de raccordement du matériel et tracer le schéma de raccordement.
- Dans la plupart des cas, il faut utiliser un interrupteur à ailettes pour permettre à l'humidificateur de fonctionner seulement lorsque le ventilateur du système est en marche. Raccorder l'interrupteur à ailettes en série avec le circuit basse tension de commande de l'humidité pour que l'humidificateur fonctionne seulement lorsque le ventilateur du système est en marche.
- Dans les cas où les bornes du ventilateur de l'humidificateur servent à commander le ventilateur du système, un relais de temporisation pourrait être requis pour permettre au ventilateur du système de se mettre en marche avant que l'interrupteur à ailettes ne vérifie le fonctionnement du ventilateur.



MISE EN GARDE

Risque de condensation excessive. Pourrait endommager les gaines.

Installer un circuit de verrouillage pour interrompre le fonctionnement de l'humidificateur en cas de panne du ventilateur du système.

Raccordement de l'humidistat

Raccorder les bornes de l'humidistat directement au dispositif de commande de l'humidistat au moyen de fil basse tension (de calibre 18).

PLOMBERIE



MISE EN GARDE

Risque chimique. Peut causer des dommages à l'environnement et au système de refroidissement.

Ne pas utiliser une conduite de frigorigène raccordée à un climatiseur.

REMARQUE : L'humidificateur peut fonctionner avec de l'eau dure ou de l'eau douce.

IMPORTANT

Utiliser uniquement des tuyaux en cuivre entre l'humidificateur et l'appareil de traitement de l'eau.

1. Repérer le tuyau d'eau froide situé le plus près de l'appareil de traitement de l'eau.
2. Installer un tuyau entre la vanne à étrier (fournie) et l'électrovanne sur l'appareil de traitement de l'eau. Voir la Fig. 11.
3. Se reporter aux instructions pour l'installation de la vanne à étrier (fournie). La vanne autotaraudeuse est expressément conçue pour les tuyaux en cuivre.

IMPORTANT

- Installer la vanne de manière que l'eau circule par le haut ou le côté afin de réduire les risques de colmatage de la vanne par des sédiments.
- Nettoyer légèrement les extrémités des tuyaux en cuivre avec un papier de verre fin avant de faire les raccords.

4. Installer un tuyau de drainage de 12,7 mm (1/2 po) de diam. int. entre le raccord cannelé sur l'appareil de traitement de l'eau et le drain de sol.
5. Installer un tuyau en cuivre de 6,35 mm (1/4 po) de diam. ext. entre l'appareil de traitement de l'eau et l'humidificateur.

IMPORTANT

Ne pas trop serrer l'écrou à compression. Un serrage modéré empêche les fuites.

! MISE EN GARDE

**Risque d'inondation.
Peut causer des dommages occasionnés par l'eau au matériel et à la maison.**

Raccorder le trop-plein à un drain convenable.

6. Utiliser un raccord mâle NPT de 3/8 po (non fourni) ou un raccord femelle NPT de 3/4 po, un boyau d'arrosage ordinaire (non fourni) pour raccorder l'ouverture de trop-plein de l'humidificateur à un drain convenable.
7. Soutenir la canalisation de drainage à plusieurs endroits pour éviter les plis. Prévoir un soutien suffisant à proximité des sources de chaleur.

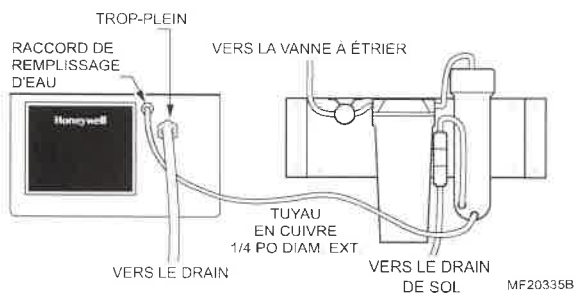


Fig. 11. Plomberie de l'appareil de traitement de l'eau et de l'humidificateur.

VÉRIFICATION DE L'INSTALLATION

Une fois l'installation terminée, vérifier le fonctionnement de l'humidificateur en suivant les étapes suivantes :

1. Ouvrir l'arrivée d'eau de l'humidificateur.
2. Brancher l'humidificateur et s'assurer que la prise est sous tension. Attendre que le réservoir soit plein (quelques minutes).
3. Régler l'hygrostat convertibles à la valeur la plus élevée.
4. Vérifier si le ventilateur de l'appareil de chauffage se met en marche pour faire circuler l'air humidifié. Le ventilateur se met parfois en marche au bout d'une quinzaine de minutes.
5. Régler l'hygrostat convertibles pour qu'il assure une température de confort.

FONCTIONNEMENT

L'humidificateur HE440A est commandé par un hygrostat convertibles installé soit sur le mur intérieur d'une pièce habitée soit sur le retour d'air froid.

- Régler l'hygrostat à l'aide de l'échelle combinée d'humidité relative et de température extérieure sur l'hygrostat.
- Régler le cadran pour qu'il indique la même température qu'à l'extérieur afin d'optimiser le degré d'humidité et de réduire la condensation dans les fenêtres.
- À l'aide du Tableau 2, trouver le réglage recommandé.

REMARQUE : Lorsque la température extérieure baisse, le réglage recommandé doit être abaissé de manière à tenir compte du point de rosée. Les réglages ci-dessous devraient permettre de réduire l'accumulation d'humidité et de glace dans les fenêtres et ailleurs dans la maison.

Certaines activités à l'intérieur, notamment la cuisson, les douches et le séchage des vêtements peuvent produire une humidité excessive et être la cause de l'accumulation d'humidité dans les fenêtres.

REMARQUE : Si ces conditions durent plusieurs heures, régler l'hygrostat à la valeur la plus basse pour arrêter l'humidificateur. S'il n'y a aucun changement, il faudrait ventiler la maison pour faire disparaître l'humidité.

Tableau 2. Réglages recommandés de l'hygrostat convertibles.

Température extérieure	Réglage recommandé	Température extérieure	Réglage recommandé
-29 °C (-20 °F)	15	-12 °C (+10 °F)	30
-23 °C (-10 °F)	20	-7 °C (+20 °F)	35
-18 °C (-0 °F)	25	Au-dessus de -7 °C (+20 °F)	40

L'humidificateur HE440A fonctionne selon le principe suivant : l'eau chaude génère de la vapeur d'eau. À mesure que l'air sec et la vapeur se mélangent, l'humidité relative augmente. L'hygrostat mesure l'humidité et fait fonctionner l'humidificateur, le cas échéant.

Lorsque l'hygrostat fait un appel d'humidification, l'élément chauffant submergé réchauffe l'eau du réservoir de l'humidificateur. Lorsque l'eau est suffisamment chaude, l'humidificateur active un relais qui fait fonctionner le ventilateur de l'appareil de chauffage. L'air chaud et sec de l'appareil de chauffage capte la vapeur d'eau pour la faire circuler dans la maison. Le ventilateur fait circuler l'air; il arrête lorsque l'eau a refroidi.

L'air humidifié est plus chaud et plus confortable. Le point de consigne du thermostat peut donc être abaissé, ce qui permet de diminuer les coûts de chauffage et rend la maison confortable et éconergétique.

MAINTENANCE

Un programme de maintenance à intervalles réguliers prolonge la durée de l'humidificateur et assure un meilleur confort. La fréquence de remplacement du filtre varie selon la qualité de l'eau. L'humidificateur peut fonctionner avec de l'eau dure ou de l'eau douce.



MISE EN GARDE

Risque de choc électrique.

Peut causer des chocs électriques ou des dommages au matériel.

Débrancher l'appareil pour couper l'alimentation avant de l'installer ou d'effectuer la maintenance.

IMPORTANT

Ne jamais lubrifier les pièces de l'humidificateur.

À intervalles de 1 an ou 3 à 6 mois (selon la qualité de l'eau)

Suivre les étapes suivantes. Voir la Fig. 12 pour le remplacement du filtre d'élimination de chlore.

IMPORTANT

Remplace le filtre d'élimination de chlore régulièrement, prolonge la durée du filtre OI.

1. Débrancher l'humidificateur.
2. Remplacer le filtre d'élimination de chlore. Desserrer le boîtier à l'aide de l'outil à main fourni.

REMARQUE :

- S'assurer que les joints aux deux extrémités du filtre sont retirés du boîtier lorsque l'ancien filtre est enlevé.
- S'assurer que les nouveaux joints fournis avec le filtre sont installés.

À intervalles de 2 ou 3 ans (selon la qualité de l'eau)

Suivre les étapes suivantes. Voir la Fig. 12 pour le remplacement du filtre d'élimination de chlore et du filtre OI.

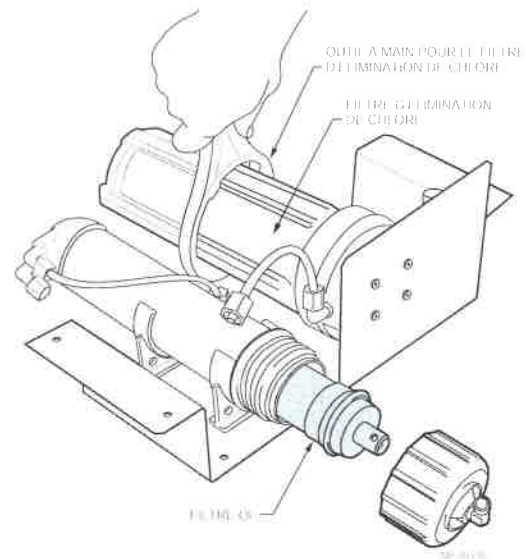


Fig. 12. Remplacement des filtres.

IMPORTANT

Si le filtre OI est remplacé régulièrement, les risques de formation de dépôts de sédiments dans le réservoir seront moindres.

1. Débrancher l'humidificateur.
2. Remplacer le filtre d'élimination de chlore. Desserrer le boîtier à l'aide de l'outil à main fourni.

REMARQUE :

- S'assurer que les joints aux deux extrémités du filtre sont retirés du boîtier lorsque l'ancien filtre est enlevé.
- S'assurer que les nouveaux joints fournis avec le filtre sont installés.

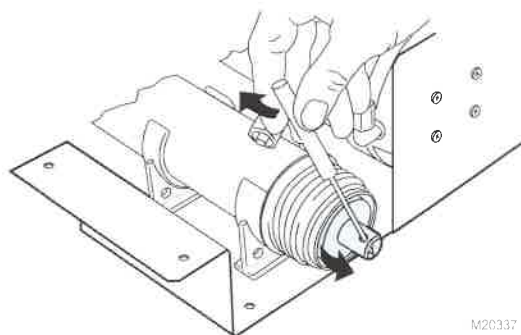
3. Débrancher les tuyaux entre le filtre d'élimination de chlore et le filtre à osmose inverse (OI).
4. Dévisser le bouchon sur le filtre OI.

REMARQUE : Ne pas tordre le raccord coudé sur le bouchon du filtre OI. Laisser tourner le bouchon et le coude ensemble.

5. Remplacer le filtre OI.

TRUC : Utiliser un tournevis pour soulever le filtre et le dégager du boîtier. (Voir la Fig. 13.)

6. Raccorder les tuyaux.



M20337

Fig. 13. Retrait du filtre OI.

Fin de la saison d'humidification

Vider l'humidificateur à la fin de la saison d'humidification.

1. Débrancher l'humidificateur.
2. Fermer l'arrivée d'eau.

IMPORTANT

Attendre que l'eau refroidisse avant de poursuivre.

3. Enlever le bouchon de vidange situé sur la partie inférieure de l'humidificateur et laisser l'eau s'écouler dans un récipient.
4. Remettre le bouchon.
5. Retirer, nettoyer le réservoir de dépôts au besoin et le replacer.

6. Vider le boîtier du filtre d'élimination de chlore.
7. Au début de la nouvelle saison d'humidification.
 - Ouvrir l'arrivée d'eau.
 - Brancher l'humidificateur.

Vacances

L'humidificateur peut être arrêté pour la période des vacances. Il suffit de le débrancher.

VÉRIFICATION

Après la mise en marche pour l'hiver ou la maintenance, vérifier le fonctionnement de l'humidificateur en suivant les étapes ci-dessous :

1. Ouvrir l'arrivée d'eau de l'humidificateur.
2. Brancher l'humidificateur et s'assurer qu'il est sous tension.
3. Régler l'hygrostat convertible à la valeur la plus élevée.
4. Vérifier si le ventilateur de l'appareil de chauffage se met en marche pour faire circuler l'air humidifié. Le ventilateur se met parfois en marche au bout d'une quinzaine de minutes.
5. Régler l'hygrostat convertible pour qu'il assure une température de confort.

DÉPANNAGE

Consulter le Tableau 3 pour la marche à suivre.

Tableau 3. Marche à suivre pour le dépannage.

Problème	Ce qu'il faut vérifier	Ce qu'il faut faire
Faible humidité	Le ventilateur de l'appareil de chauffage ne fonctionne pas.	<ul style="list-style-type: none"> • Réenclencher le disjoncteur ou vérifier si le fusible est grillé. • Vérifier si l'appareil de chauffage est sous tension. • Vérifier toutes les connexions externes. • Vérifier le réglage de l'hygrostat. • Appeler un entrepreneur en chauffage.
	Renouvellements d'air rapides. Courants d'air (l'air froid est sec et représente une charge supplémentaire pour l'humidificateur).	<ul style="list-style-type: none"> • Garder les portes et les fenêtres fermées. • Fermer le registre de la cheminée (foyer) lorsque celle-ci n'est pas utilisée. • Faire fonctionner le ventilateur d'extraction pendant une période minimum. • Rendre les portes et les ouvertures étanches.
	Préfiltre encrassé.	<ul style="list-style-type: none"> • Remplacer le préfiltre (d'élimination de chlore).
Humidité élevée	Condensation sur les murs.	<ul style="list-style-type: none"> • Arrêter l'hygrostat et fermer l'arrivée d'eau jusqu'à ce que la condensation disparaisse complètement.
	Forte condensation dans les fenêtres.	<ul style="list-style-type: none"> • Abaisser suffisamment le réglage de l'hygrostat pour éliminer la condensation causée par les bains, le lavage des planchers, la cuisson, etc. Si la condensation persiste, augmenter la ventilation.
Le raccord fuit	Raccord desserré.	<ul style="list-style-type: none"> • Serrer le raccord à la main.

SCHÉMA DE RACCORDEMENT



MISE EN GARDE

**Risque de choc électrique et température élevée.
Peut causer des blessures.**

Seul un entrepreneur qualifié devrait effectuer le dépannage et la réparation des humidificateurs à vapeur.

Le schéma de raccordement interne à la Fig. 14 aidera le technicien à effectuer le dépannage et la réparation.

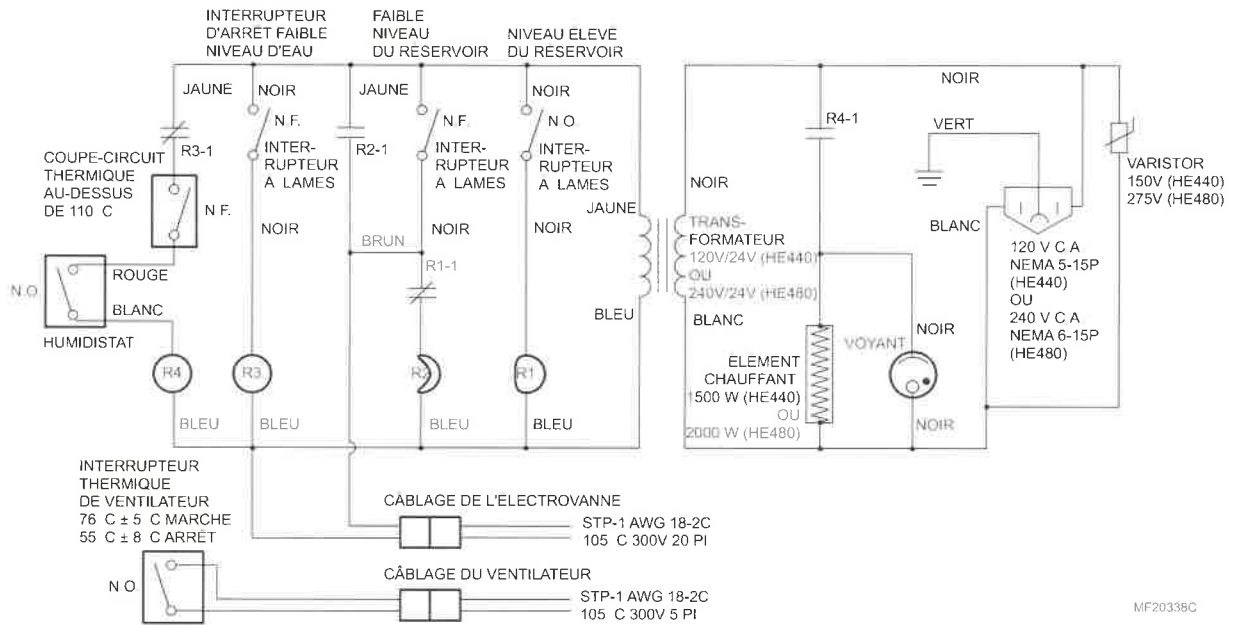


Fig. 14. Schéma de câblage interne d'un réservoir vide.

PIÈCES DE RECHANGE

La Fig. 15 montre un dessin éclaté. Les Tableaux 4 et 5 donnent les numéros des filtres et autres pièces de rechange.

Filtres

Table 4. Numéros des pièces du filtre.

N° dessin éclaté	Numéro de pièce	Nom de la pièce
1 et 2	32006450-001	Ensemble de filtres (1 OI et 2 filtres d'élimination de chlore).
1	32006451-001	Filtre d'élimination de chlore.

Pièces

Table 5. Numéros des pièces de rechange.

N° dessin éclaté	Numéro de pièce	Nom de la pièce
3	32006440-001	Fil de câblage de l'électrovanne (20 pi)
4	32006441-001	Fil de câblage du ventilateur du système (5 pi)
5	32006442-001	Interrupteur thermique de ventilateur
6	32006443-001	Transformateur (120/24, HE440)
7	32006444-001	Électrovanne
8	32006445-001	Relais
9	32006446-001	Flotteur, longue tige
10	32006447-001	Flotteur, courte tige
11	32006448-001	Voyant de marche (120 V, HE440)
12	32006449-001	Élément chauffant (1 500 W 120 V, HE440)
13	H8908B1002	Humidistat
14	H1008A1008	Humidistat avec HumidiCalc ^{mc}

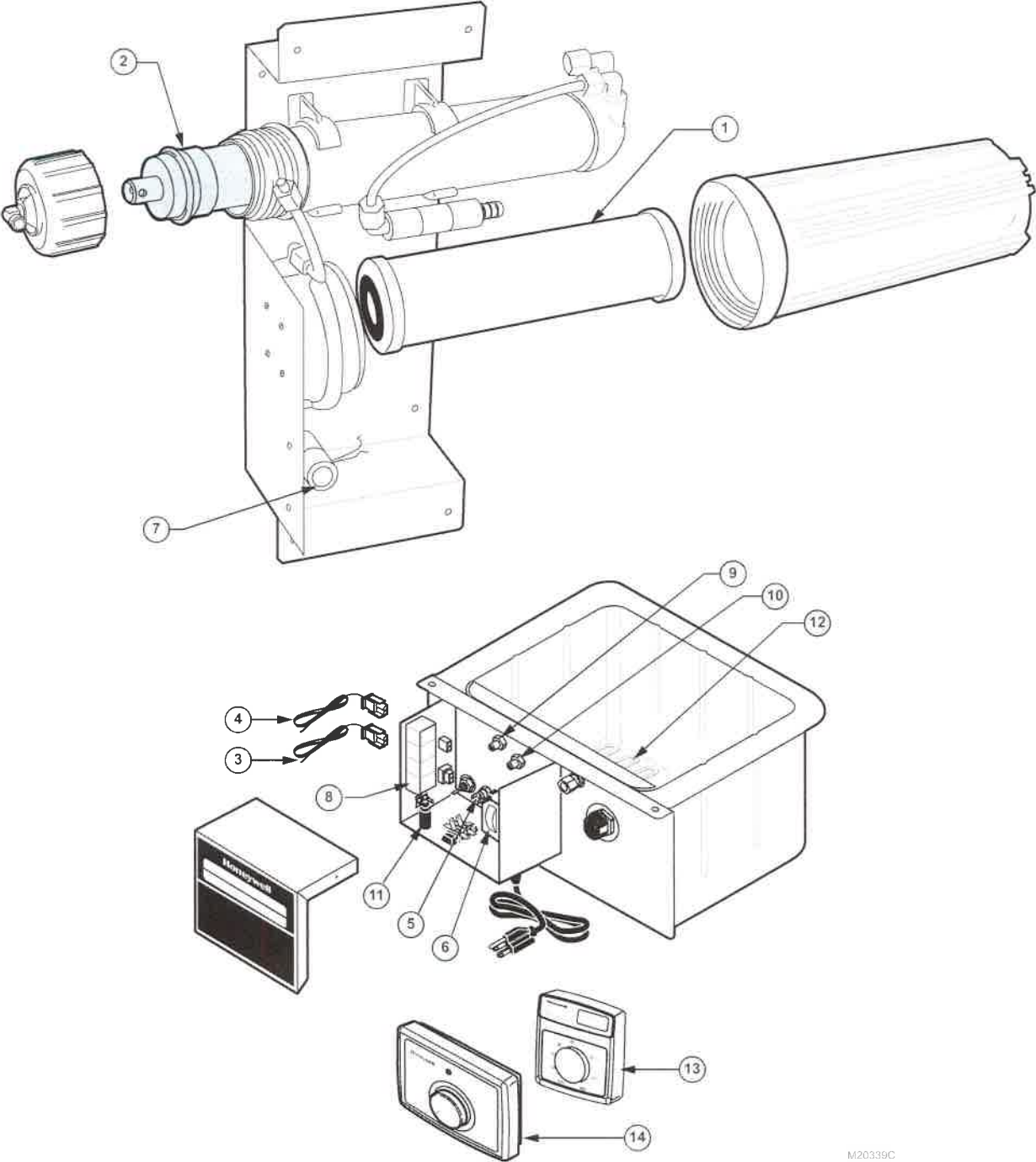


Fig. 15. Dessin éclaté

M20339C

HUMIDIFICATEURS À VAPEUR HE440A

Solutions de régulation et d'automatisation

Honeywell International Inc.
1985 Douglas Drive North
Golden Valley, MN 55422

Honeywell Limited-Honeywell Limitée
35, Dynamic Drive
Scarborough (Ontario) M1V 4Z9

Honeywell

® Marque de commerce déposée aux É.-U.
© 2005 Honeywell International Inc. Tous droits réservés
68-0265EF-3 GH, Rev. 01-05



Imprimé aux États-Unis sur du papier
recyclé contenant au moins 10 %
de fibres post-consommation.