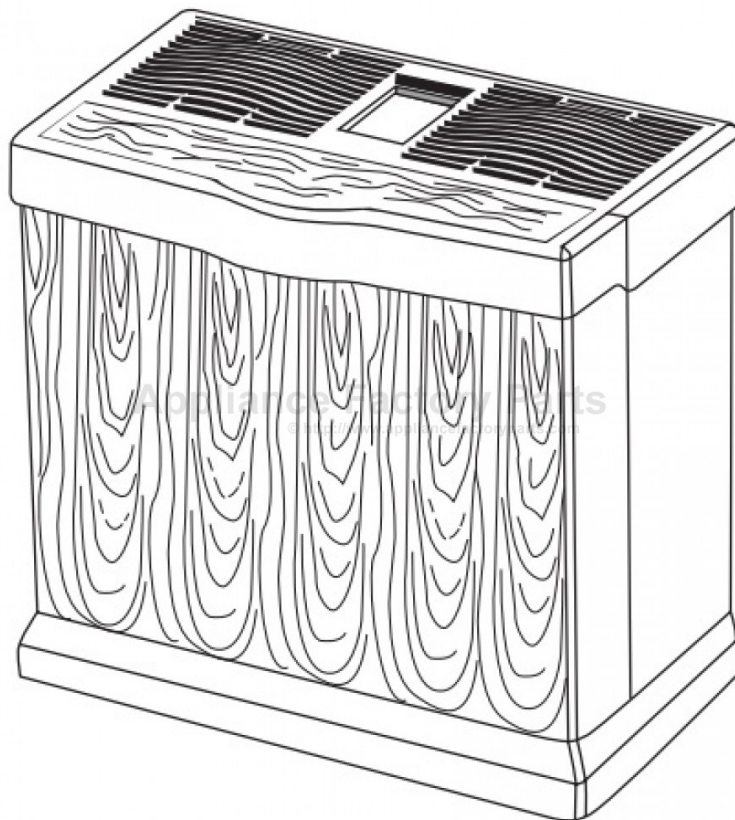


This Owner's Manual is provided and hosted by [Appliance Factory Parts](#).



EMERSON HD12050 Owner's Manual

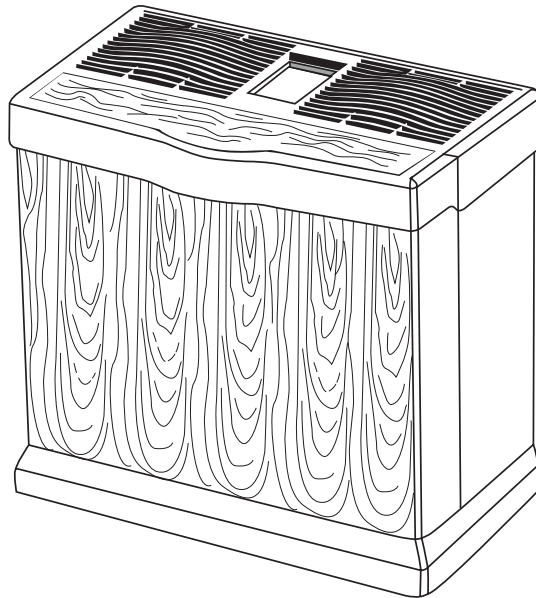
[Shop genuine replacement parts for EMERSON
HD12050](#)



[Find Your EMERSON Humidifier Parts - Select From 160 Models](#)

----- Manual continues below -----

**CAUTION: Read all instructions carefully before installation.
Save this Owner's Manual for future reference.**



Model HD1211
Shown

**Model Nos.
HD1205 0 & HD1211 1**

EMERSON®

***MoistAIR™* HD1205 and HD1211
Evaporative Console
Humidifier Owner's Manual**

Limited Warranty

All products covered by this Owner's Manual are warranted against defects in workmanship and materials for one year from the date of sale except for motors, which are warranted for two years. This warranty does not apply to damage from accident, misuse or alteration nor where the connected voltage is more than 5% above the nameplate voltage, nor to the equipment improperly installed or wired or maintained in violation of this Owner's Manual. No other written or oral warranty applies. No employee, agent, dealer or other person is authorized to give any warranties on behalf of Emerson.

The customer shall be responsible for all costs incurred in the removal or reinstallation and shipping of the product for repairs. Within the limitations of this warranty, inoperative units should be returned, with a copy of the sales receipt, freight prepaid to a local repair service center, and we will repair or replace, at our option, at no charge to you with return freight paid by Emerson. It is agreed that such repair or replacement is the exclusive remedy available from Emerson and that **Emerson Is Not Responsible For Damages Of Any Kind, Including Incidental And Consequential Damage.** Some states do not allow the exclusion or limitation of incidental or consequential damages, so the above exclusion or limitation may not apply to you.

The warranty gives you specific legal rights, and you may also have other rights which vary from state to state or province to province.

Sales receipt required as proof of purchase for warranty claims.

GENERAL SAFETY INSTRUCTIONS

Safety Signal Words

DANGER: means if the safety information is not followed, someone **will** be seriously injured or killed.

WARNING: means if the safety information is not followed, someone **could** be seriously injured or killed.

CAUTION: means if the safety information is not followed, someone **may** be seriously injured or killed.

1. To reduce the risk of fire or shock hazard, plug humidifier directly into a 120V, A.C. electrical outlet. Do not use extension cords.
2. Keep the electric cord out of traffic areas. To reduce the risk of fire hazard, never put the electric cord under rugs, near heat registers, radiators, stoves or heaters.
3. Always unplug the humidifier before moving it, before cleaning, or whenever the humidifier is not in service.
4. Keep the humidifier clean.

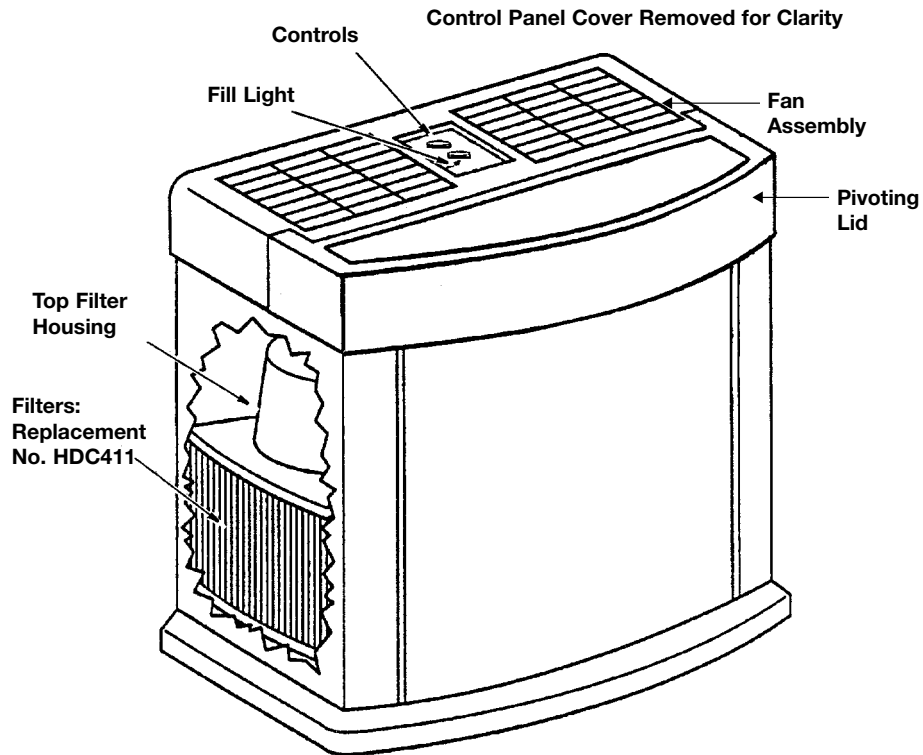
5. Do not put foreign objects inside the humidifier.
6. Never use your humidifier while any part is missing or damaged in any manner.
7. To reduce the risk of electrical hazard or damage to humidifier, do not tilt, jolt or tip humidifier while unit is running.
8. To reduce the risk of damage to humidifier, unplug humidifier, when humidifier cabinet is empty or when the humidifier is not in use.
9. To reduce the risk of accidental electrical shock, do not touch the cord or controls with wet hands.
10. Note the warning label shown below and on the humidifier.

WARNING: To avoid fire or shock hazard:

1. Unplug humidifier before filling.
2. Close the control cover.
3. Fully open front access door.
4. If controls get wet, let them dry completely. Have unit checked by authorized personnel before plugging back in.
5. Do not overfill.

Know Your Humidifier

Model HD1211 Depicted Throughout



Description	HD1205/HD1211
Output/24 hrs	12 Gallons/45 Litres
Capacity of Tank	4.5 Gallons/17.0 Litres
* Sq. Ft. Coverage	2500
Fan Speeds	Three
Filters	Set of 4 (HDC411)
Fill Light	Yes
Auto Humidistat	Yes
Auto Shut Off	Yes
Manual Dryout	Yes (see page 7)
Controls	Rotary
CUL Listed	Yes
Volts	120 A.C.
Hertz	60
Amps	2.28
Watts	130

* Based on an area with average insulation and an 8 foot ceiling height

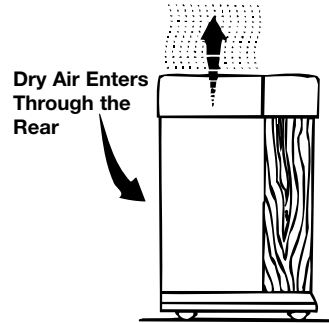
Humidifier Operations

Your new Emerson humidifier is designed to satisfy home humidity requirements through the principle of evaporation of water into the air.

After water is added to the tank the filters begin to soak up the water and become totally saturated in approximately 30 minutes. Air is drawn in from the rear of the humidifier, then passes through the filters by means of two circulation fans. As air passes through the filters, moisture is absorbed into the air and then released through the top of the humidifier. This moist air is released in the form of vapor. No water droplets will enter the home. All evaporation into the air takes place in the humidifier, which means that the residue left by evaporating water is not passed into the home, but remains in the filter.

CAUTION: Use only EPA Registered Bacteriostat available from your local retail store. Under no circumstances should you use water treatment products for Roto belt or Ultrasonic humidifiers.

Humidified Air is Then Released Through the Top



CAUTION: Keep your humidifier clean. While humidifiers do not cause colds, some studies suggest that dirty humidifiers can cause cold-like symptoms in some people. To reduce the risk of this, we recommend you clean your humidifier weekly with cleaners specifically recommended for humidifiers and use EPA recommended bacteriostat.

Assembly

Your new Emerson humidifier is completely assembled for you to use. Remove the packaging material from inside your humidifier and follow the instructions of this owner's manual for proper usage. The packaging material is located below the fan assembly. Remove all of the packaging material and discard.

NOTE: The filters may have shifted during shipping. Ensure that they are properly seated in the bottom of the cabinet below the top filter housings before filling. Refer to "Replacement and Care of Filters" section on page 9.

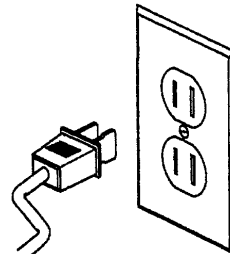
Electrical Hook-Up

Locate nearest 120V A.C. wall socket in the location desired, preferably on inside wall. Plug in the electrical cord.

WARNING: To reduce the risk of fire or shock hazard, do not use extension cords. Humidifier should be plugged directly into a 120V A.C. outlet.

To reduce the risk of electrical shock, this humidifier has a polarized plug (one blade is wider than the other). This plug will fit in a polarized outlet only one way. If the plug does not fit fully in the outlet, reverse

plug. If it still does not fit, contact a qualified electrician to install the proper outlet. Do not change the plug in any way.



Location Instructions

WARNING: For your own safety, do not use humidifier if any parts are damaged or missing.

Step 1

Place humidifier on a flat level surface in area of house where most humidity is needed, or an area which would likely result in moist air being circulated throughout the house, such as near a cold air return. Placing the unit level is very important if the humidifier is located on carpeting.

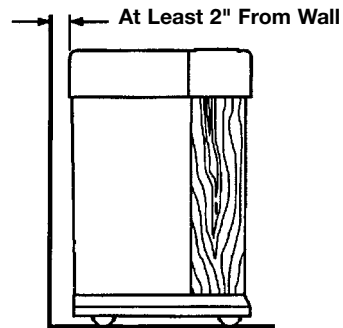
Moist air (humidity) produced will disperse into the whole house, but area closest to the unit will have the highest humidity. Do not position humidifier close to a window. Condensation may form on the window pane.

NOTE: Due to release of cool, moist air from humidifier, it is best to direct air away from home thermostat and hot air registers. It is best to position humidifier next to an inside wall. Hot air registers and cold air

from outside walls can affect the efficiencies of the controls. Unit should not be placed where warm air from a hot air register blows directly on unit.

Step 2

The humidifier should be positioned with the back (cord exit side), at least 2 inches away from the wall. Air needs to enter through louvers in the rear panel in order for the humidifier to operate at peak efficiency.



Water Fill

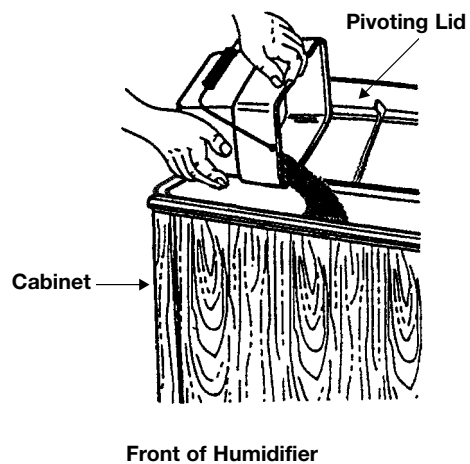
WARNING: To reduce the risk of shock, always unplug humidifier before filling, cleaning or servicing.

WARNING: To reduce the risk of fire or shock hazard, do not pour or spill water into control or motor area. Close the control cover. If control get wet, let them dry completely and have unit checked by authorized service personnel before plugging in.

This humidifier is designed to be filled using a bucket fill method. The unit should be positioned where it will be operating. To fill the humidifier, close the control cover and open the pivoting lid. Notice the splash guard inside the cabinet of the humidifier.

Pour the water slowly from a bucket into the cabinet onto the center of the splash guard. The water deflects off the splash guard and drops into the bottom of the cabinet. Do not pour water onto top of unit or control area. Standing in front of the humidifier, notice the "FULL" labels positioned to the left and right of the splash guard on the inner sides of the cabinet. These labels indicate the maximum amount of water that can be poured into the humidifier.

Do not fill water in the cabinet above this line. If you do, water will leak out of the cabinet and onto the floor.





Operating Humidifier Controls

The operating controls of your Emerson evaporative humidifier are located on the top center of the humidifier. The controls are found under the smoked cover, located between the air circulating fans. Lift the control cover by placing your finger in the round cutout and lifting. The cover will stay open. Now you can clearly see the control area. Familiarize yourself with the controls and reference the diagram of the control area for the correct naming used within this manual.

To Operate the Controls

Humidity Control:

Adjust the amount of humidity depending on your needs. The humidifier will turn on and off as required to maintain level of humidity selected. A medium setting (half way between  and ) is recommended, but there are times when a low or high amount of humidity may be preferred. For constant operation of humidifier, turning the control all the way clockwise allows for the maximum amount of humidity to be evaporated into the air continuously.

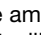
IMPORTANT: Water damage may result if condensation starts to form on windows or walls. Humidity Control setting should be lowered until condensation no longer forms.

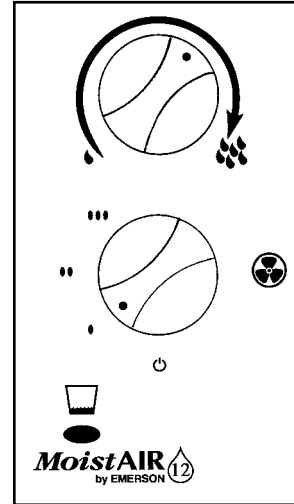
Air Flow Control

The unit is adjusted from OFF "⏻" to high "●●●" with a three speed rotary control.

The higher the air flow speed, the more water is evaporated and released into the air. Low speed "●" is the quietest and is provided for conditions that may not require as high an evaporation rate.

Fill Light

When the unit has a small amount of water left in it, the amber fill light  will come on and the unit will automatically shut off.



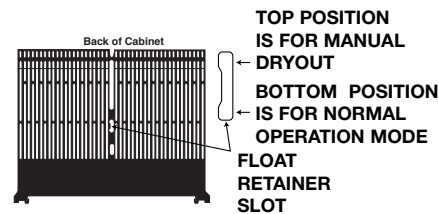
Manual Dryout

At the end of the humidification season or if you do not plan to run the humidifier for one week or more, you can override the automatic shutoff function to completely dry the humidifier cabinet out.

To do this, simply slide the float retainer located at the back of the humidifier cabinet to the top position of the slot it is located in. This will hold the float in an upward position and the fans will run until you turn the power off.

NOTE: Be sure to position float retainer to the normal operating mode (lowest position in slot) for normal operation.

Below is a diagram of the slot the float retainer is located in at the back of the cabinet.



Using Your Humidifier

Step 1

Be sure unit is full of water and plugged in.

Step 2

Set air flow control  to desired setting.

Step 3

Set Humidity Control  to medium position (half way between  and )


NOTE: Humidifier should operate with humidity control on the recommended medium setting. If it does not, the humidity is at a relatively high level. To test the unit under this condition, turn Humidity Control all the way clockwise and unit should begin to operate. After the unit has been tested, set Humidity Control to about medium or desired level.

Allow 24 to 48 hours for humidifier to adjust.

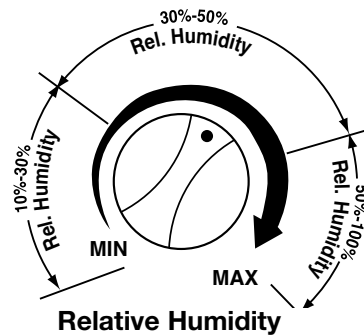
If humidity level in home is sufficient, the humidifier will only operate with Humidity Control turned all the way clockwise.

IMPORTANT: Water damage may result if condensation starts to form on windows or walls. Humidity Control setting should be lowered until condensation no longer forms.

Step 5

If humidifier stops running and the amber Fill Light  is not illuminated the humidity level is at the normal requirements for that setting or it is adjusting to the home conditions. The table below shows recommended indoor humidity levels. The figure below shows approximate relative humidity percentages which correspond to the various settings of the Humidity Control.

When Outdoor Temperature is:	Recommended Indoor Relative Humidity is:
-10°F	20%
0°F	25%
10°F	30%
20°F & above	35%



Operating Tips for Best Performance

1. Position the humidifier at least 2 inches from any wall and away from any heat registers.
2. Do not restrict airflow from entering or exiting the humidifier.
3. Use liquid EPA Registered Bacteriostat to retard bacteria growth that may cause odors and may be harmful to your health.
4. Regular cleaning as instructed in "Cleaning Your Humidifier" section of this manual is recommended.
5. Replace the evaporative wicking filters at least once per humidification season or more depending on water conditions in your area.

Replacement and Care of Filters

WARNING: To reduce the risk of shock or injury from moving parts, always unplug humidifier before removing or replacing any parts.

CAUTION: To help retard bacteria growth and keep maximum efficiency, the filters should be replaced at least once a season, or more often under hard water conditions. Use Emerson HDC411 replacement filters.

All filters may be rinsed in clear water only. Take care not to damage paper.

To replace the evaporative wicking filters in your Emerson humidifier, follow the instructions below:

1. Unplug humidifier, and proceed to clean.

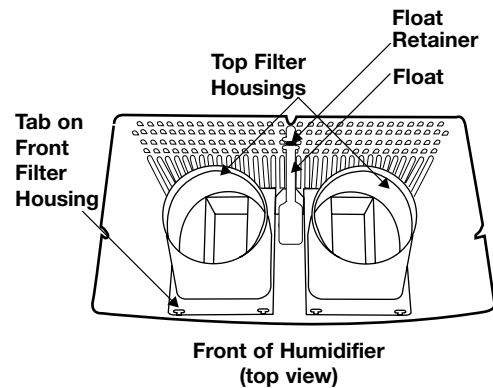
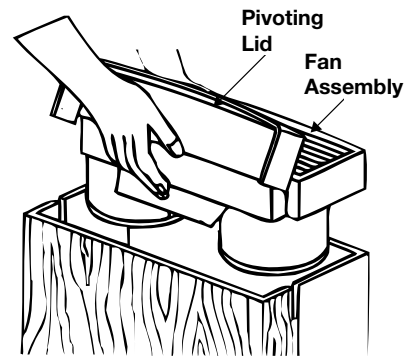
Before removing the filters, we recommend moving the humidifier to an area where floor coverings are not susceptible to water damage, i.e. kitchen or bath areas.

2. Remove the fan assembly by opening the pivoting lid. Grasp the fan assembly front center and rear center. Lift off and set aside on a clean flat surface. The filter housing assemblies are now accessible.

NOTE: There are two filter housing assemblies. Each assembly consists of a top filter housing and a front filter housing. The front filter housing contains tabs that secure the top filter housing. Do not remove the front filter housings.

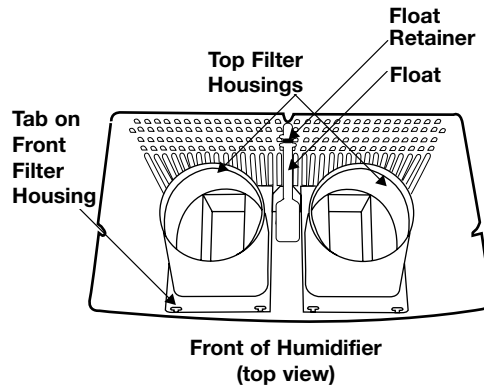
3. To remove top filter housing, deflect the two vertical tabs on top of front filter housing and lift up and out of cabinet. With a soft, absorbent cloth remove any remaining water or loose mineral deposits not trapped in the filter from the filter housing assemblies.
4. Remove the two filters and dispose of properly. Repeat for other top filter housing. Clean internal parts of humidifier per the "Cleaning of Humidifier"

section of this owner's manual.



Replacement and Care of Filters (continued) —

5. a. Install new filters (Emerson HDC411) in the bottom of the cabinet.
- b. Reposition top filter housings on top of filters and snap into front filter housings.
- c. Position fan assembly onto the cabinet. Make sure the fan venturi (lowest cylinder section below the fan) is placed inside the top filter housings.
- d. Close the pivoting lid on the fan assembly.
- e. The unit is ready for use or to be stored away for next season.



Cleaning Your Humidifier

CAUTION: To reduce the risk of injury, fire or damage to humidifier, use only cleaners specifically recommended for humidifiers. Never use flammable, combustible or poisonous materials to clean your humidifier. To reduce the risk of scalds and damage to humidifier, never put hot water in humidifier.

CAUTION: Local water purity varies from area to area and under certain conditions water impurities and airborne bacteria may promote the growth of microorganisms in the reservoir of the humidifier.

To retard bacteria growth that may cause odors and be harmful to your health, use only Emerson HDC411 replacement filters. We also recommend using EPA-approved bacteriostat and cleaners specifically recommended for humidifiers available at your local retail store.

NOTE: If it is necessary to use approved bacteriostat, follow the directions correctly. The cabinet for the whole house humidifier will hold 4-1/2 gallons (17 litres) of water.

Step 1

To make cleaning easier, the humidifier cabinet should be empty and completely dried out. To accomplish this, use the following method.

- a. Allow the humidifier to run until the automatic shutoff turns the humidifier "OFF".
- b. Unplug humidifier.

WARNING: If humidifier is not unplugged, fan could start after housing is removed.

Step 2

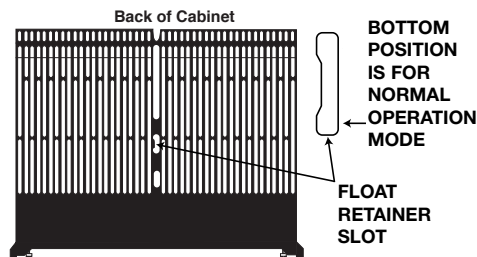
To Remove Parts

- a. Remove the fan assembly by opening the pivoting lid. Grasp the fan assembly front center and rear center. Lift off and set aside on a clean flat surface.

- b. Before removing the internal parts of the humidifier cabinet, we recommend moving the humidifier to an area where floor coverings are not susceptible to water damage, i.e., kitchen or bath area.
- c. Deflect the two vertical tabs on top of the front filter housing to release the top filter housing. Lift top filter housing straight up and out of cabinet. Repeat for other top filter housing.
- d. Remove old filters and dispose of properly.
- e. Remove the water level float from the humidifier cabinet by pinching the float retainer to disengage it from the rear of the cabinet. Refer to diagram on page 10 for float location.
- f. Empty cabinet of any remaining water.
- g. Proceed to "Bi-Weekly Maintenance" or "End of Season Maintenance" and then continue as described below.

Step 3

Install new filters (Emerson HDC411 Replacement Filters) into the location where the old filters were positioned. Reinstall the float into the rear of the cabinet. Note: Assure that the float retainer is positioned in the bottom of the slot in the back of the cabinet. (See diagram of slot below.) Reposition top filter housings on top of filters and snap into front filter housings. Position the fan assembly on top of the cabinet and return the humidifier to the desired location for use. Refill humidifier cabinet with fresh cool water. Plug the unit into a 120 volt A.C. power outlet and set the controls per the "Operating Humidifier Controls" section of this manual.



Cleaning Your Humidifier

Bi-Weekly Maintenance

Removing Scale

1. Fill the humidifier cabinet with one 8 oz. cup of undiluted white vinegar. Let solution stay 20 minutes.
2. Clean all interior surfaces with soft brush. Dampen a soft cloth with undiluted white vinegar and wipe out the humidifier cabinet and front filter housings to remove scale.
3. Rinse thoroughly with clean warm water to remove scale and cleaning solution before disinfecting the humidifier cabinet.
4. Dust the fan assembly and outside surfaces with a soft cloth only.

Disinfecting Humidifier Cabinet

1. Fill humidifier cabinet with 1 teaspoon chlorine bleach in 1 gallon (4 litres) of water. Let solution stay 20 minutes, swishing every few minutes. Wet all surfaces normally exposed to water.
2. Empty humidifier cabinet after 20 minutes. Rinse with water until bleach smell is gone. Allow unit to dry out completely.

End of Season Maintenance

1. Follow "Bi-Weekly Maintenance" instructions at end of humidification season.
2. Remove and throw away filters.
3. Let humidifier dry completely before storing. Do not store with water inside cabinet.
4. Store in cool, dry location.
5. Install new filters and clean humidifier before next season begins.
6. "Bi-Weekly Maintenance" is also recommended if you do not plan to run the humidifier for one week or more.

Troubleshooting

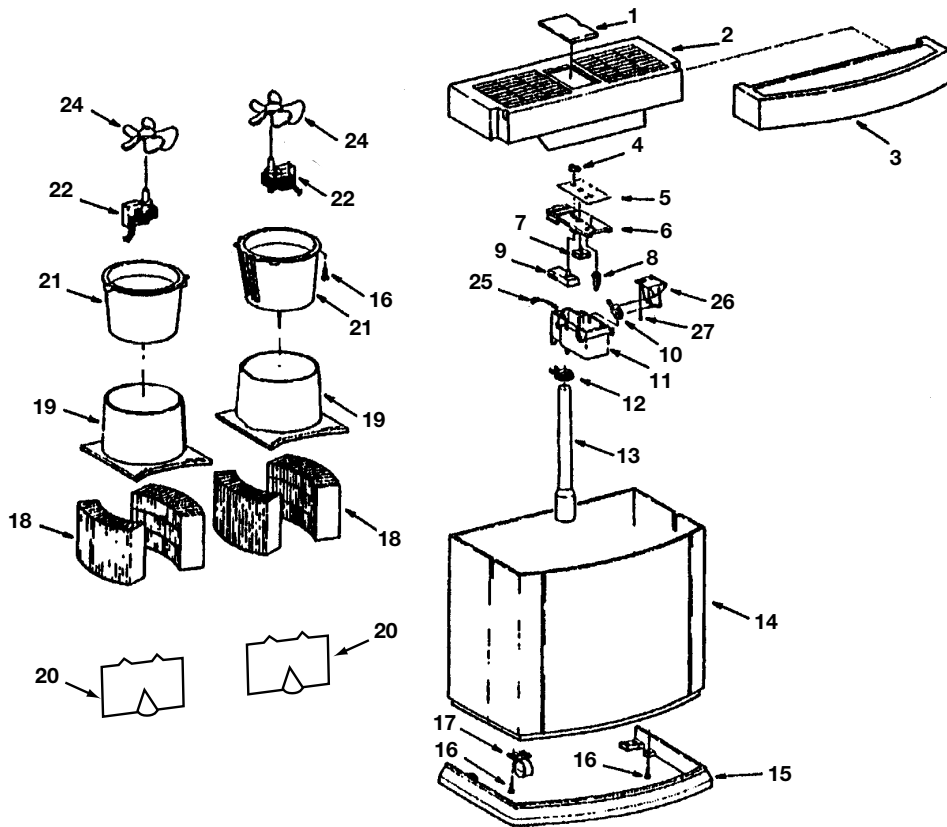
TROUBLE	PROBABLE CAUSE	REMEDY
Unit will not run and Fill Light is not illuminated.	<ul style="list-style-type: none"> No power Selected humidity level has been established 	<ul style="list-style-type: none"> Check 120 volt source for power Raise humidistat setting if desired
Unit will not shut off	<ul style="list-style-type: none"> Float is not free Float retainer positioned in top slot at back of cabinet 	<ul style="list-style-type: none"> Free float from obstruction Slide float retainer down to lowest position in slot at back of cabinet. (See diagram on page 11)
Unit will not dry out completely	<ul style="list-style-type: none"> This is normal 	<ul style="list-style-type: none"> A small amount of water will remain in cabinet after fill light comes on. To completely dry out cabinet see "Manual Dryout" section on page 7.
Slow Evaporation of Water	<ul style="list-style-type: none"> Dirty filters 	<ul style="list-style-type: none"> Change to fresh new filters. Purchase Emerson HDC411 Replacement Filters.
Water runs out of rear of unit	<ul style="list-style-type: none"> Too much water added Water splashing during filling 	<ul style="list-style-type: none"> Do not overfill past "Full" labels in cabinet Deflect fill water off of the splash guard.

**CAUTION: Use only EPA Registered Bacteriostat available from your local retail store.
Use of other water treatment products may damage the filter elements.
Under no circumstances should you use water treatment products designed for Roto belt Ultrasonic humidifiers.**

FOR TECHNICAL HELP
If in the USA call 1-800-654-3545
If in Canada call 1-888-744-4687

Repair Parts

Parts List for Emerson Humidifier Model No. HD1205 0 & HD1211 1



Repair Parts

Key No.	Description	Model HD1211 1	Model HD1205 0
1	Cover Dust	823884	823884
2	Lid Stationary	823730-4	829844-1
3	Lid Pivoting	823724-3	829830-1
4	Knob	826544-1	826544-1
5	Label Control	824643	824643
6	Cover Control	826400	826400
7	Switch Rotary	823912	823912
8	Light Pilot	825858	825858
9	Humidistat	13805-02	13805-02
10	Switch Micro	823728	823728
11	Enclosure Electronics	826401	826401
12	Retainer Float	824101-1	824101-1
13	Float Water Level	828200-1	828200-1
14	Cabinet	828199-4	828998
15	Rail Kick	823726-2	823726
16	Scr. Pan Hd. Ty "AB" 10 x 3/4	*	*
17	Caster Twin Wheel	828515	828515
18	† Filter Evaporative	HDC411	HDC411
19	Housing Top Filter	828194	828194
20	Housing Front Filter	828195	828195
21	Support Motor	828534	828534
22	Motor (Includes mounting hardware)	828115	828115
23	Fan	822406-1	822406-1
24	Cord w/Plug	821904	821904
25	Retainer Micro Switch	826367	826367
26	Scr. Pan Hd Ty "AB" #6 x 3/8	*	*
27	Owners Manual (Not Illustrated)	SP6471	SP6471

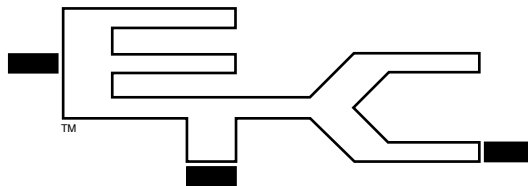
* Standard Hardware Item - May be purchased locally.

† Stock Item - Purchase locally or call 1-800-654-3545 from the USA or 1-866-808-6500 from Canada to order.

**To order parts call: USA 1-800-654-3545
Canada 1-866-808-6500**

**For More information about Emerson *MoistAIR*™ humidifiers
visit our website at www.moistair.com**

FOR TECHNICAL HELP, CALL
(800) 654-3545 FROM USA OR (888) 744-4687 FROM CANADA
(Please have complete model number)



EMERSON TOOL COMPANY
9999 Highway 48
Markham, Ontario Canada L3P 3J3