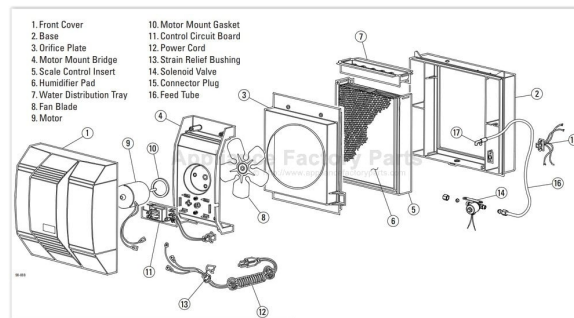


This Owner's Manual is provided and hosted by Appliance Factory Parts.



CARRIER HUMCCLFP1218 Owner's Manual

[Shop genuine replacement parts for CARRIER
HUMCCLFP1218](#)



[Find Your CARRIER Humidifier Parts - Select From 171 Models](#)

----- Manual continues below -----

READ COMPLETE SAFETY INSTRUCTIONS AND INST

ATTENTION INSTA

This product must be installed by a qualified heating and air conditioning contractor. F

This product must be installed in compliance with a

FAN POWERED HU

⚠️ WARNING

1. ELECTRICAL SHOCK HAZARD.

Disconnect electrical power to the furnace and install lock-out tag before starting installation. Failure to do so could result in serious injury from electrical shock.

2. **SHARP EDGES HAZARD.** Sharp edges may cause serious injury from cuts. Use care when making plenum openings and handling ductwork.

3. **RISK OF SCALDING.** Water temperature over 125°F can cause severe burns and scald instantly. Shut off the hot water supply before disconnecting or tapping into any hot water supply line.

⚠️ CAUTION

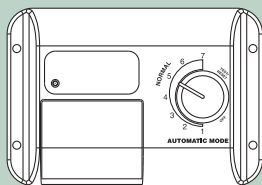
RISK OF PROPERTY AND EQUIP

1. Do not install humidifier where freezing temperatures could occur. The water line could freeze and crack causing water damage to the home.
2. Do not install humidifier on the furnace cabinet.
3. Do not install humidifier on a plenum face where the blanked off ends of the cooling coil will restrict air movement through the humidifier.
4. Do not set humidity level above recommended or to recommended level if condensation exists on inside windows of any unheated space, as condensation damage may result. Excess humidity can cause moisture accumulation which can allow the possibility for mold growth in the home.

5. Do not
6. When i
7. Do not
8. Do not

WIRING DIAGRAMS

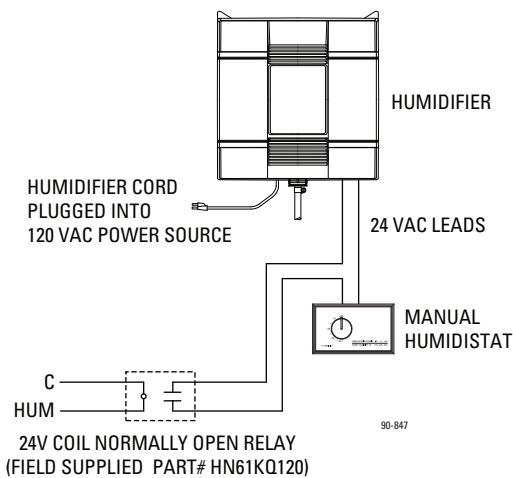
HumidiTrac™ Automatic Humidifier Control



For detailed Automatic Humidifier Control installation and wiring instructions, see Form IM-AHC-02 included with Control.

DIAGRAM A

STANDARD FURNACE
VARIABLE SPEED FURNACE
VARIABLE SPEED FAN COIL



HUMIDIFIER CORD PLUGGED INTO 120 VAC POWER SOURCE

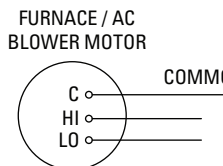


DIAGRAM C

THERMIDISTAT™ HOOK-UP WITH ALL INDOOR EQUIPMENT

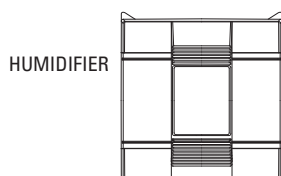


DIAGRAM D

ZONING HOOK-UP WITH EQUIPMENT CONTROLLER



NEW COM WI

READ REVERSE SIDE FIRST!

- TOP -

READ COMPLETE SAFETY INSTRUCTIONS AND INSTALLATION INSTRUCTIONS

FURNISHED ITEMS

- 24 VAC Manual Humidifier Control
- Saddle Valve
- Humidifier Installation Template

ITEMS NOT FURNISHED

- Mounting screws (sheet metal screws)
- Water supply line (1/4" copper)
- Drain line (1/2" I.D. hose)
- Low voltage wire
- Manual Humidifier Control Adapter Plate Part No. 4402
- Current Sensing Relay Part No. P-110-005 (if required)

Figure 1

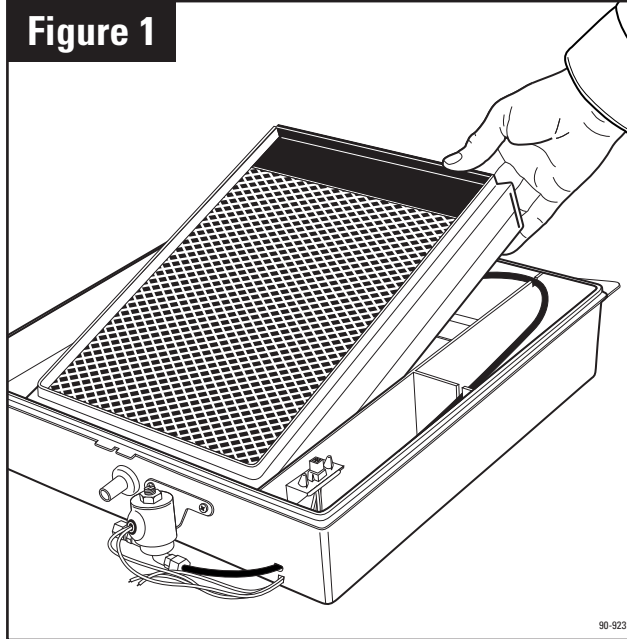
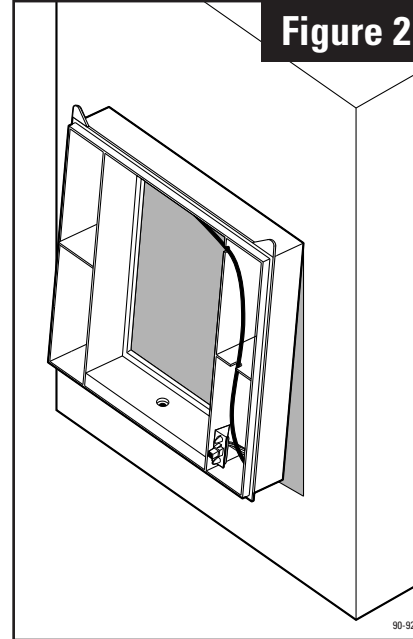


Figure 2



1. Place the humidifier on a flat surface. Unlatch humidifier cover assembly from base assembly at the bottom of the cover, lift and set aside. Pull out the evaporative assembly by grasping at the top and tipping out. (See Figure 1)

2. Using a level, position this template at least 1 1/2 inches above the furnace housing or cooling coil if applicable, for clearance of the drain line. Trace around template edges. When there is insufficient space on the supply plenum, the humidifier can be installed on the return duct provided the humidifier is supplied with hot water. Remove the template and accurately cut the plenum opening 14 3/4" W x 14 5/16" H, being careful to avoid injury from sharp edges.

3. Position the two plastic hooks on the top of base along the top edge of the plenum opening. Push base up to engage the two hooks and sheet metal along the top edge opening. Push base in and slide down so that the bottom four hooks engage the sheet metal at the bottom edge of the opening. Secure base to opening using top three screw holes in housing. An

additional hole is provided at the bottom for securing the base to the plenum. (See Figure 2)

4. While pressing the base against the plenum, reach through the center opening and turn left and right swing latches down to secure the base onto the plenum. (See Figure 3)

5. Reinstall the evaporative assembly into the base, with the bottom of the scale control insert (5) sitting firmly in the inside of the drain spud attached to the base. Push the evaporative assembly in at the top between the retaining ribs that hold the assembly in place in a vertical position. Reinstall cover assembly by hooking at the top of base assembly and latching at the bottom.

6. Locate and install the Manual Humidifier Control by following the instructions shown in step #6A. For Automatic Humidifier Control installation instructions, see Form IM-AHC-02 included with the Automatic Control.

DISCONNECT ELECTRICAL POWER TO FURNACE BEFORE PROCEEDING!

6A. MANUAL HUMIDIFIER CONTROL INSTALLATION

The Manual Humidifier Control is designed so that an increase in relative humidity expands the humidifier. A decrease in relative humidity

LOCATION

1. Locate on inside wall of living area approximately 5 feet above floor, or in the furnace return plenum. Adapter Plate Part No. 4402 (not included) is required for return plenum air installation. If humidifier is mounted on return duct, Control must be at least 6" upstream of humidifier.
2. Do not locate Control in the direct path of discharge air or drafts from open doors or windows.
3. Do not install where operation might be affected by lamps, sunlight, fireplace registers, concealed air ducts and pipes, or room heaters.
4. The basic rules for location of thermostats apply to humidifier controls.

PARTS LIST

- | | |
|----------------------------|---------------------------|
| 1. Front Cover | 10. Motor Mount Gasket |
| 2. Base | 11. Control Circuit Board |
| 3. Orifice Plate | 12. Power Cord |
| 4. Motor Mount Bridge | 13. Strain Relief Bushing |
| 5. Scale Control Insert | 14. Solenoid Valve |
| 6. Humidifier Pad | 15. Connector Plug |
| 7. Water Distribution Tray | 16. Feed Tube |
| 8. Fan Blade | |
| 9. Motor | |

