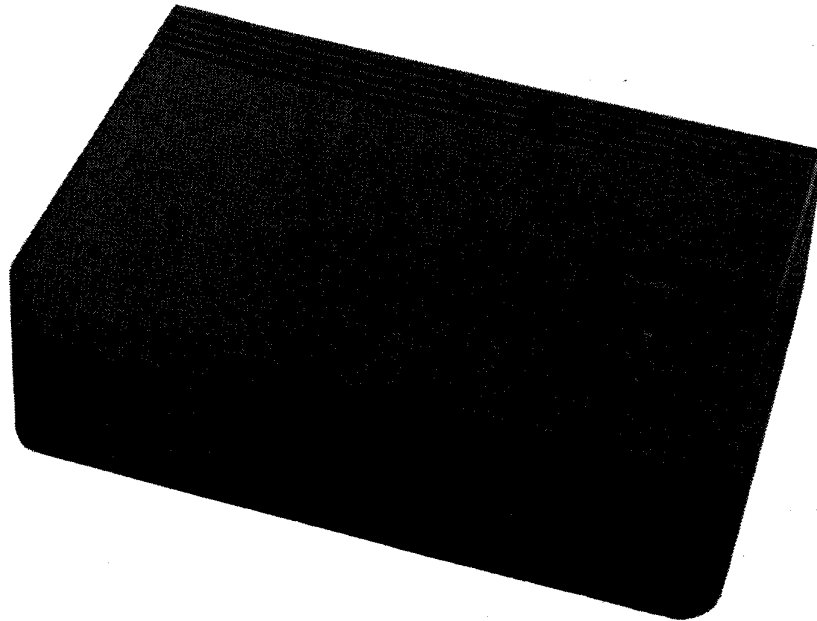


Table Top Electronic Air Cleaner



Manual for:
Installation • Operation • Maintenance

for Model No. 442501 series and 445602 series
120V/60Hz/1pH • 230V/50Hz/1pH • 220V/60Hz/1pH

CAUTION: Read installation instructions and rules carefully for safe operation.
Exercise the usual precautions when working with high voltage.

TRION[®]

TABLE OF CONTENTS

PAGE

Introduction	1
How Trion's Electronic Air Cleaner Works	1
Instructions	2
Operation	2
Care of Cabinet	3
To Remove Cell for Cleaning	3
To Clean Cell	4
Replacement of Charcoal Filter	5
To Clean Negative Ion Generator Needle	6
To Replace Cell After Cleaning	6
To Replace Cabinet Top	7
Troubleshooting Checklist	8
Replacement Parts	9

INTRODUCTION

Your Trion air cleaner has been designed to let you enjoy a refreshing experience in clean air living.

Airborne particles and odors are removed from air passing through the unit by the process of electrostatic precipitation and an activated charcoal filter with an optional antibacterial after-filter.

NOTE: This owner's manual should be read thoroughly before your air cleaner is operated. Retain your owner's manual for future reference.

HOW TRION'S TRUE ELECTRONIC AIR CLEANER WORKS

The air around you is filled with thousands of particles of air pollution. Some of the pollutants - dust, smoke and lint are visible to the naked eye, but most of the pollutants - pollen and bacteria, to name a few, are microscopic in size.

Polluted air enters the unit through the front of the air cleaner (Figure 1). The fan pulls in dirty air and the pre-filter (Figure 2) traps large particles (hair, lint, etc.). The smaller particles (dust, smoke, pollen) in the dirty air receive a positive electrical charge as they pass through the ionizing section (Figure 2.). The positive charged particles then enter the collecting section (Figure 2) which uses a series of alternately charged aluminum plates to attract and retain the particles. It works like a powerful magnet and the particles remain there through natural adhesion until removed by the washing process. The air then passes through a charcoal filter (Figure 2) that helps remove household odors. Some models are equipped with an antibacterial

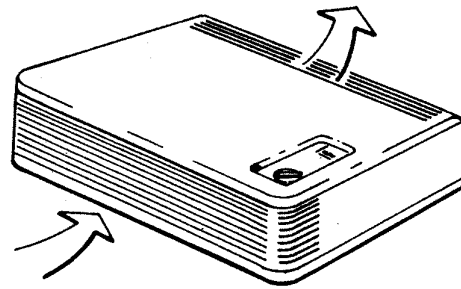


Figure 1

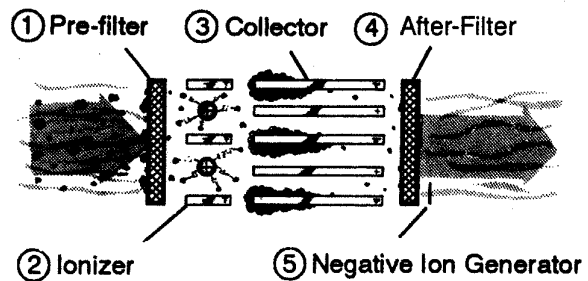


Figure 2

treated filter which will inhibit the growth of airborne bacteria, mold, fungus and other microorganisms trapped by the filter. Next, the negative ion generator (Figure 2) freshens stale air. Finally, electronically cleaned air passes back into the room through the top grille (Figure 1).

INSTRUCTIONS

Remove the plastic bag covering your air cleaner. Select the location for your air cleaner with electrical outlet nearby. Note: Do not use an extension cord to supply power to your air cleaner. Remember, the air cleaner must be placed so that air can freely circulate into the front grille and out of the top grille (Figure 1). Never place your air cleaner on soft surfaces (such as beds, sofas or carpet), near computers or next to sources of heat (such as stove tops, ovens, etc.).

OPERATION

WARNING: Do not use this electronic air cleaner when oxygen is being used or when combustible gases are present.


Plug the cord into any standard household electrical outlet. (See data label on bottom of your air cleaner for electrical specifications and power consumption.)

WARNING: To reduce the risk of electrical shock, 120V/60Hz models have a polarized plug (one blade is wider than the other). This plug will fit in a polarized outlet only one way. If the plug does not fit fully in the outlet, reverse the plug. If it still does not fit, contact qualified personnel to install the proper outlet. Do not alter the plug in any way.

Turn the unit on by turning the On/Off switch to the desired speed. (•(Low), ••(Med), •••(High) - Figure 3). Until your air cleaner is adequately broken in, the speed should be set on •••(High) for one minute initially before switching to desired speed. Your electronic air cleaner is designed for continuous operation --**peak efficiency is obtained if the air cleaner remains on constantly.**

Some models are equipped with a Power Boost switch to provide maximum

cleaning efficiency of indoor air that is excessively dirty. Simply move the rocker switch located in the control panel (Figure 3) from the smaller to the larger lightning bolt position. Although you will not hear a difference, the Power Boost position actually increases the electrical charge being applied to the dirty air and provides maximum collection efficiency. The unit can be operated in the Power Boost position at any of the three fan speeds.

The  (Fan Only) switch is provided to assist in the dry cycle after cleaning the cell.

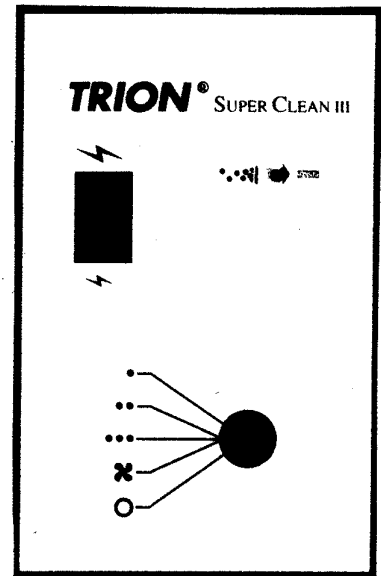


Figure 3

NOTE: You may notice an occasional, sharp snapping sound coming from your unit. This is a normal occurrence called “arcing” and results as large particles of dust are collected in the ionizing-collecting cell. Should prolonged or continuous arcing occur, the ionizing-collecting cell should be thoroughly cleaned and dried (See “To Clean Cell”).

CARE OF CABINET

You should treat the cabinet of your air cleaner as you would any other piece of fine furniture. Soft cloths and furniture polish will keep it clean and attractive for many years.

TO REMOVE CELL FOR CLEANING

The cell will need cleaning about every four to eight weeks when your air cleaner is in constant use.

Turn off the air cleaner and unplug it from the electrical power source.

Remove cabinet top by pressing down on tab located on top of front grille (Figure 4). While pressing down on tab with one hand, slide cabinet top with other hand slowly toward front grille until unlocked. Cabinet top can now be lifted up and off.

Push cell locking latch (Figure 5) away from cell while lifting cell out of the cabinet using the two small handles on top of the cell (Figure 5 & Figure 6).

Slide pre-filter upward from the front of the cell (Figure 7).

Slide charcoal/antibacterial filter upward from back of the cell (Figure 8).

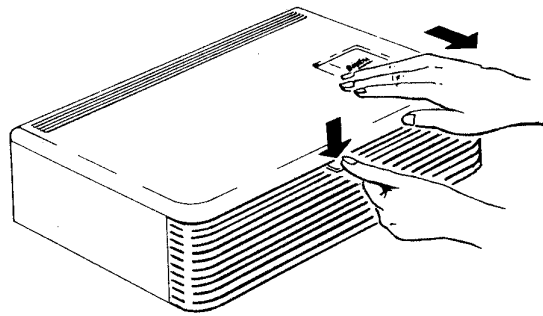


Figure 4

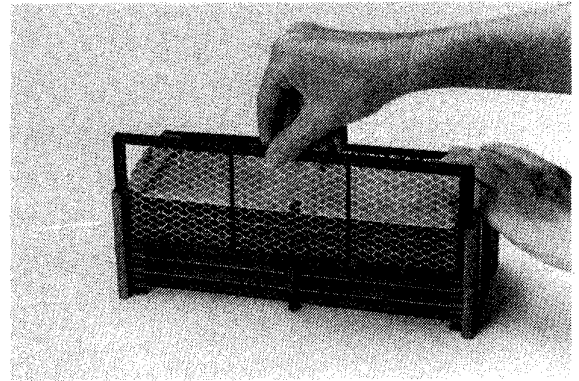


Figure 7

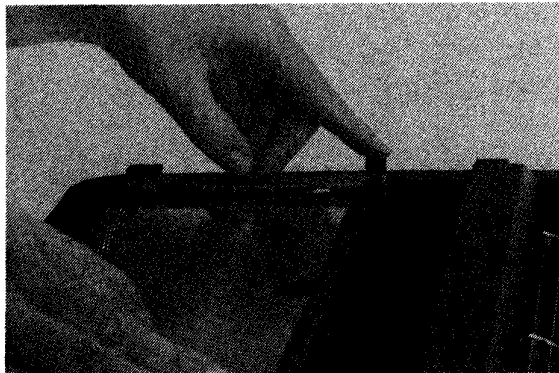


Figure 5

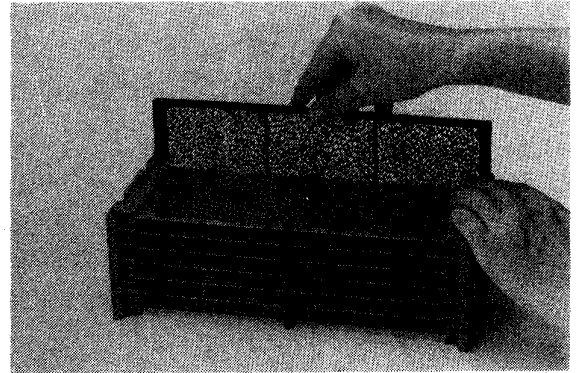


Figure 8

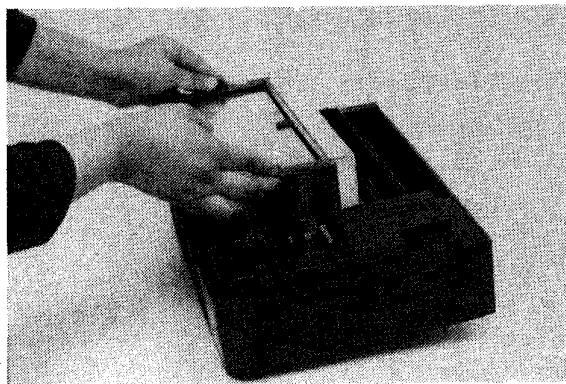


Figure 6

(Antibacterial After-filter shown)

TO CLEAN CELL

NOTE: When handling the collecting cell, care should be taken to avoid damaging wires and metal plates. Do not wash charcoal or antibacterial filter.

Units equipped with a metal pre-filter can be rinsed in clean warm water. Set aside to dry.

Use dishwashing detergent and the hottest water available to make a good soaking solution.

NOTE: If the cell is extremely dirty, spray the cell with Zap-It! or a mild household cleaning agent. Let the cell soak five (5) minutes before proceeding to washing instructions.

Completely immerse the cell and soak for 20 to 30 minutes.

After the cell has soaked sufficiently, it should be shaken vigorously in water until clean (Figure 9).

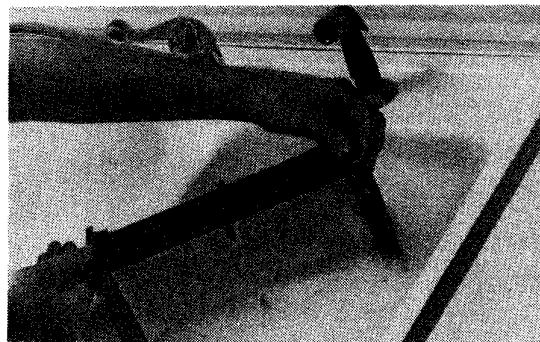


Figure 9

Thoroughly rinse both sides of the cell. If a sprayer is available, spray with water (Figure 10). Check to make sure the cell plates are clean.

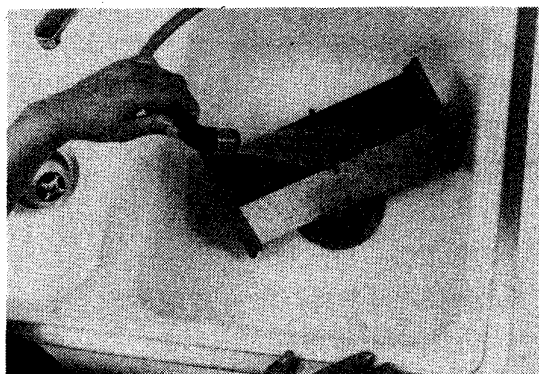



Figure 10

Repeat the above last 3 paragraphs if necessary.

Shake as much water out of the cell as possible. Replace cell in the unit as described below and operate unit in  (Fan Only) position for a minimum of one hour to insure cell is thoroughly dry.

REPLACEMENT OF CHARCOAL/ANTIBACTERIAL FILTER

ACTIVATED CHARCOAL HELPS REMOVE HOUSEHOLD ODORS

Washing the charcoal filter with soap and water will destroy its ability to adsorb odor. However, lint and dirt build-up can be removed with a vacuum cleaner using a brush attachment.

Odor adsorption effectiveness will gradually deteriorate and the charcoal/antibacterial filter should be replaced every (3-4) months.

TO CLEAN NEGATIVE ION GENERATOR NEEDLE

Make sure the air cleaner is turned off and unplugged from the electric power source for 15 seconds before cleaning needle.

The negative ion generator is located in the right rear of the air cleaner (Figure 11) and should be cleaned each time the cell is cleaned.

Simply use cotton swab dipped in alcohol and wipe off the dirt from the needle.

TO REPLACE CELL AFTER CLEANING

NOTE: Use directions on top of cell for proper placement of the filters into the cell and for replacing the cell into the unit. Unit will not operate properly if the cell is not replaced correctly.

Slide the pre-filter in the slots provided in the front of the cell (Figure 12).

Slide the after-filter in the slots provided in the back of the cell (Figure 13).

Using the cell handles align the cell with the ribs (Figure 14) on the inside cabinet wall. Gently slide cell into place.

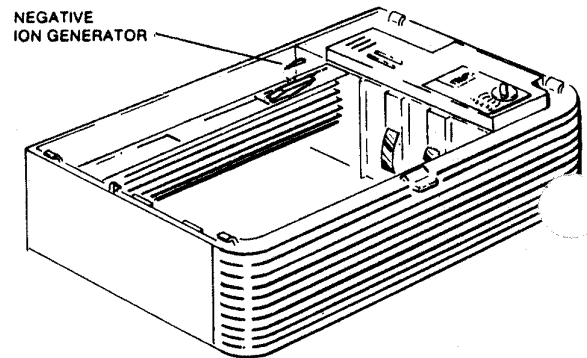


Figure 11

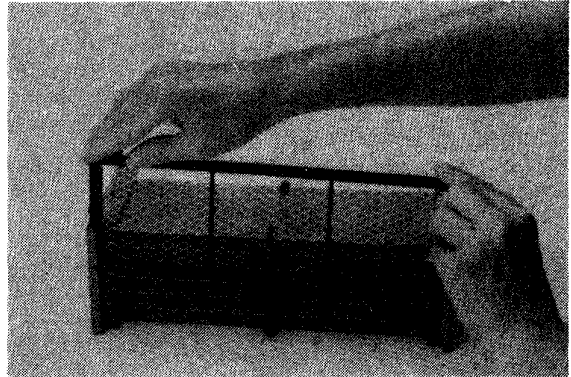


Figure 12

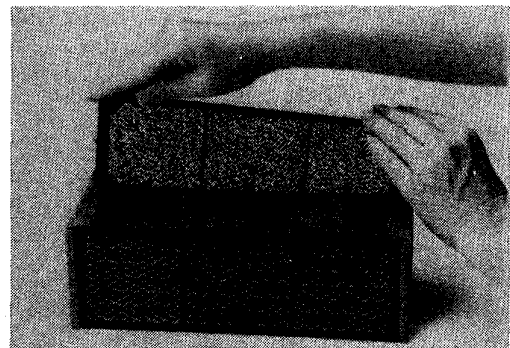


Figure 13

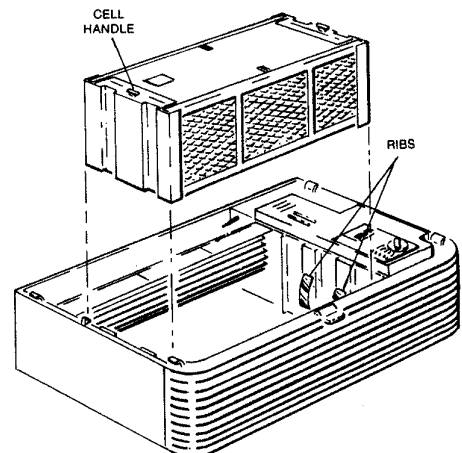



Figure 14

TO REPLACE CABINET TOP

Replace the cabinet top by positioning over the unit (Figure 15). Gently slide top forward until the top drops into place (Figure 16). Slide top backward until flush with the back of the unit (Figure 17).

Operate the unit in  (Fan Only) position for a minimum of one hour to insure the cell is thoroughly dry.

NOTE: An occasional “arcing” sound is normal when operating the unit immediately after cleaning the cell and should stop after a few minutes of operation.

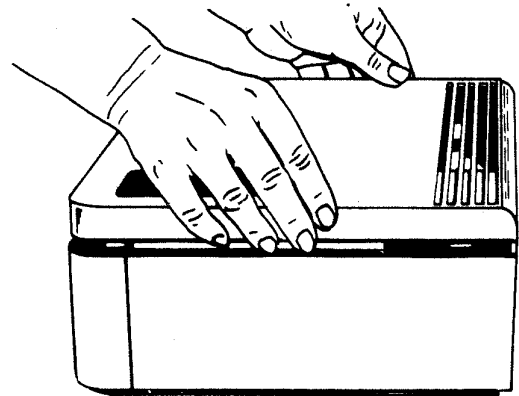


Figure 15

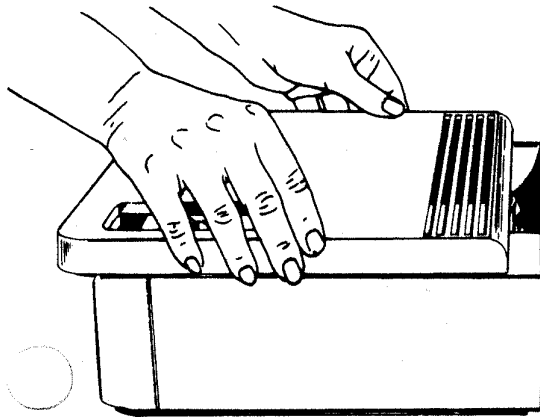


Figure 16

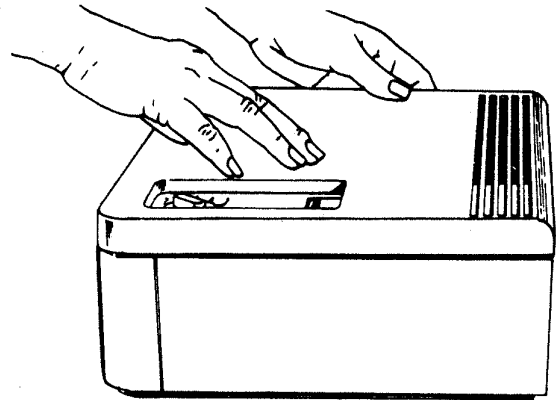


Figure 17

NOTES:

1. Discoloration of aluminum collector cell plates is normal with use, even after cleaning.
2. Blowing smoke directly into the front grille is not a test for unit performance.

TROUBLESHOOTING CHECK LIST

Many times service problems that appear to be major can be solved quite easily. The chart below lists potential problems and how to correct them. Remember, check the simple things first.

CONDITION	WHAT TO CHECK	WHAT TO DO
Unit fails to turn on.	<ol style="list-style-type: none">1. Power Cord2. On/off Switch3. Cabinet Top is properly installed4. Cell is properly installed.	<ol style="list-style-type: none">1. Plug in power cord.2. Set On/Off Switch to desired speed.3. Refer to "To Replace Cabinet Top"4. To properly install the cell, make sure the side of the cell with three notches located at the bottom is located next to the switch.
Unit does not operate at Low speed.	Setting of On/Off Switch	Set On/on Switch on High. Run unit for one minute and reset On/Off switch at Low speed.
Unit does not remove pollutants.	Ionizer-Collector Cell	Wash ionizer-collector cell by following the directions listed in "To Clean Cell". Operate unit for one week, remove the cell and look at the cell. If operating correctly, the cell will have a noticeable collection of "adhered pollutants" attached to the plates of the cell.
Unit sparks, crackles and pops.	Ionizer-Collector Cell	Wash the ionizer collector cell. Make sure the cell is thoroughly dry.
Unit still does not operate properly.	Recheck the above points	Have unit serviced.

REPLACEMENT PARTS

Ref. No.	Description	Part No.
1	Cabinet Top (Charcoal Gray)	442224-002
1A	Cabinet Top (White)	442224-004
2	Aluminum Mesh Pre-filter	342480-001
2A	Charcoal Pre-filter	342808-001
3	Ionizer-collector Cell	442415-001
4	Charcoal After-filter	342808-001
4A	Antibacterial After-filter with Charcoal	248419-101
5	Switch Knob (Charcoal Gray)	243031-002
5A	Switch Knob (Light Gray)	242235-008
6	Cell Cleaner with Sprayer (not shown)	143945-001

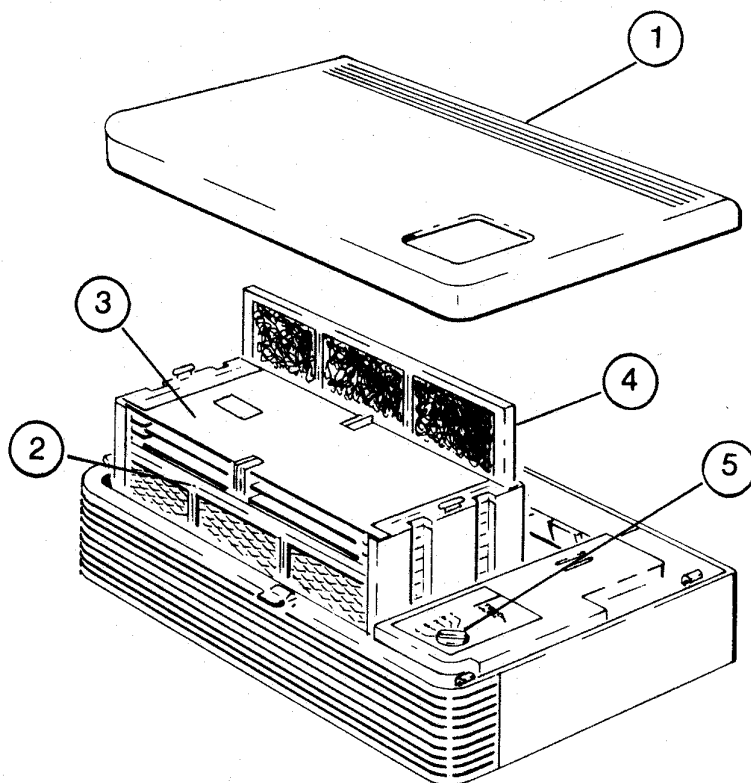


Figure 18

**AIR CLEANER
LIMITED ONE-YEAR WARRANTY**

This limited warranty covers Trion Air Cleaners.

Trion, Inc. warrants that all new Trion Air Cleaners are free from defects in material and workmanship under normal, noncommercial use and service. Trion will remedy any such defects if they appear within 12 months from the date of purchase, subject to the terms and conditions of this Limited One-Year Warranty stated below:

1. THIS LIMITED ONE-YEAR WARRANTY IS GRANTED BY TRION, INC., MCNEILL ROAD, P.O. BOX 760, SANFORD, NORTH CAROLINA 27331.
2. This warranty shall extend only to any noncommercial owner who has purchased the appliance air cleaner other than for purposes of resale.
3. All components are covered by this limited warranty except expendable items, such as charcoal and other disposable filters.
4. If within the warranty period any Trion air cleaner unit or component requires service it must be returned to the place of purchase. The unit will be repaired or replaced at sellers option.
5. This limited warranty does not apply to any part or component that is: damaged in transit or when handling, has been subject to misuse, neglect or accident; has not been operated, maintained and serviced according to Trion's instructions; has been operated beyond the factory rated capacity, or altered in any such way that its performance is affected. There is no warranty due to neglect, alteration or ordinary wear and tear. Trion's liability is limited to replacement of defective parts or components and does not include the payment of the cost of labor charges to remove or replace such defective components or parts.
6. Trion will not be responsible for loss of use of any product, loss of time, inconvenience, or any other indirect, incidental or consequential damages with respect to person or property, whether as a result of breach of warranty, neglect or otherwise. SOME STATES DO NOT ALLOW THE EXCLUSION OR LIMITATION OF INCIDENTAL OR CONSEQUENTIAL DAMAGES, SO THE LIMITATION OR EXCLUSION IN THE PRECEDING SENTENCE MAY NOT APPLY TO YOU.
7. THIS WARRANTY GIVES YOU SPECIFIC RIGHTS, AND YOU MAY ALSO HAVE OTHER RIGHTS WHICH VARY FROM STATE TO STATE.
8. Any warranty by Trion of merchantability, fitness for use or any other warranty (express, implied statutory), representation or guarantee other than those set forth herein, shall expire at the expiration date of this express limited warranty. SOME STATES DO NOT ALLOW LIMITATIONS ON HOW LONG AN IMPLIED WARRANTY LASTS, SO THE LIMITATION IN THE PRECEDING SENTENCE MAY NOT APPLY TO YOU.
9. Trion reserves the right to make changes in the design and material of its products without incurring any obligation to incorporate such changes in units completed on the effective date of such change.

TRION Inc.

P.O Box 760 • 101 McNeill Road
Sanford, North Carolina 27331-0760
Phone: (919) 775-2201 • Fax: (919) 774-8771