

This Owner's Manual is provided and hosted by [Appliance Factory Parts](#).

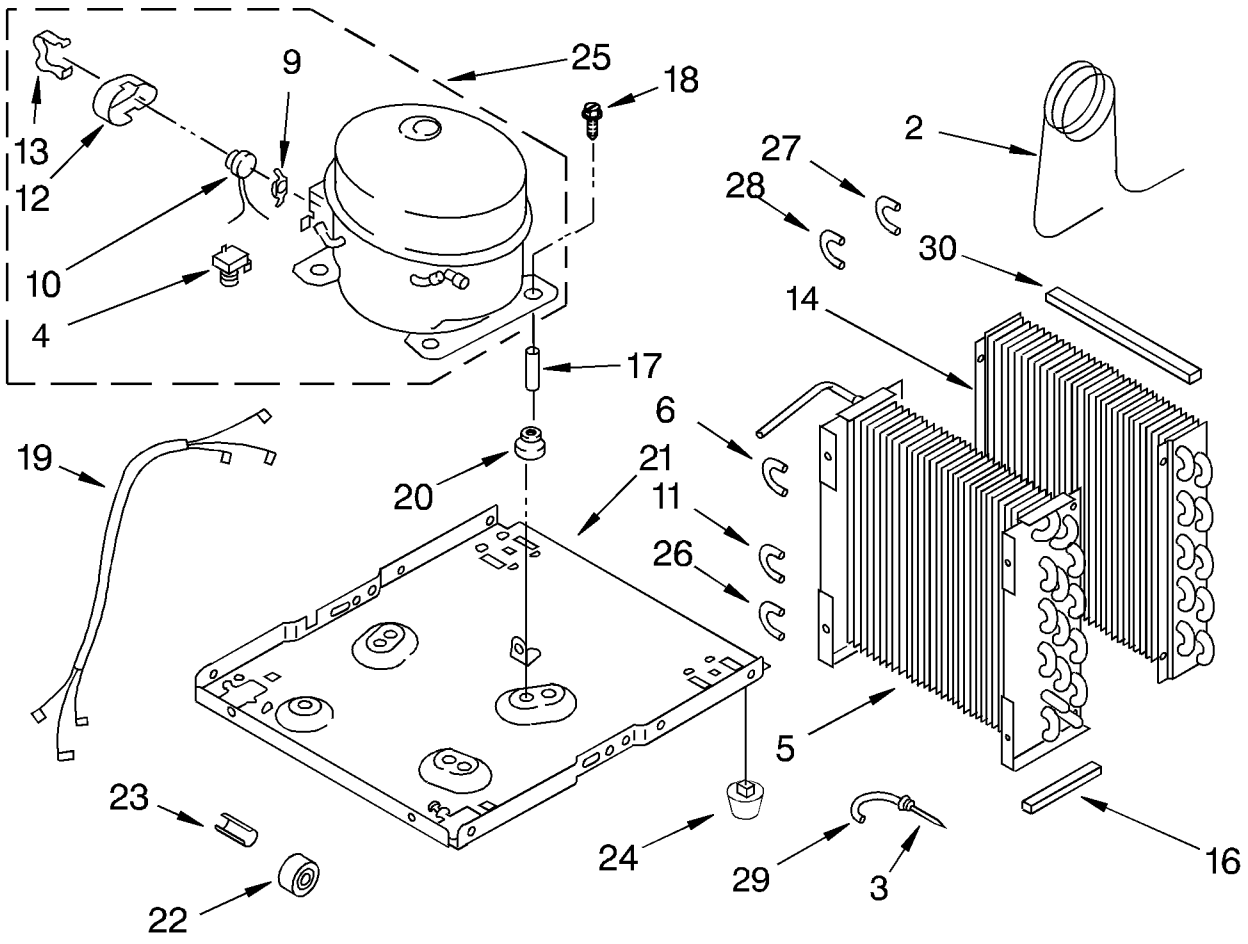


# CHAMBERS BPDH4000AS3 Owner's Manual

[Shop genuine replacement parts for CHAMBERS  
BPDH4000AS3](#)

[Find Your CHAMBERS Dehumidifier Parts - Select From 11 Models](#)

----- Manual continues below -----



LITERATURE PARTS

	LIT1165327	Sheet, Tech
	LIT1165310	Diagram, Wiring
	LIT1162709	Use & Care Guide Manual
2	1162154	Tube, Restrictor (46.0" Length)
3	1162526	Strainer
4	950058	Relay
5	1163097	Condenser
6	1158407	Bend Return (1)
9	950061	Spring, Overload
10	1163837	Overload
11	708531	Bend Return (8)
12	950055	Cover, Terminal
13	950056	Retainer, Cover
14	1162933	Evaporator
16	1162372	Seal
17	646498	Sleeve (4)
18	1166034	Bolt, 1/4-28 x 1 (4)
19	1164816	Harness, Wire
20	646499	Grommet (4)
21	1157584	Base
22	998726	Roller (2)
23	489015	Roll Pin-2.0 LG
24	951886	Glide-Natural (2)
25	1164774	Compressor, (Complete Assembly)
26	708532	Bend, Return (4)
27	855199	Bend, Return (8)
28	854624	Bend, Return (1)
29	1156533	Bend, Return (1)
30	1162348	Seal, Evaporator Top

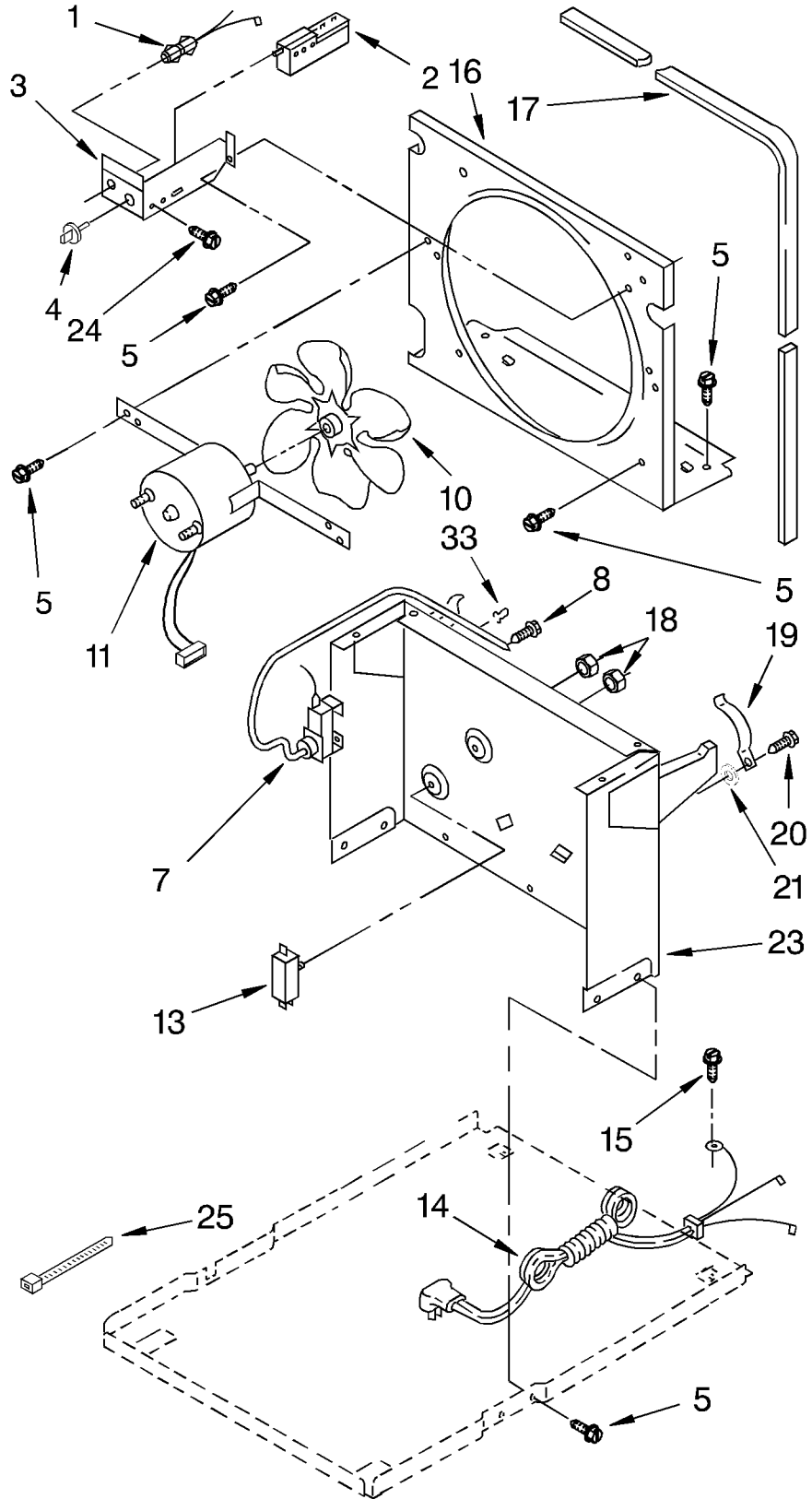
Following Parts Not Illustrated and Optional Parts Not Included

1162476	PTC Start Device
1162477	PTC Clamp
1162377	Wire Assy. (2)
488480	Screw 8-18 x 1/2

REFRIGERANT CHARGE 8.75 OZ.

# AIR FLOW AND CONTROL PARTS

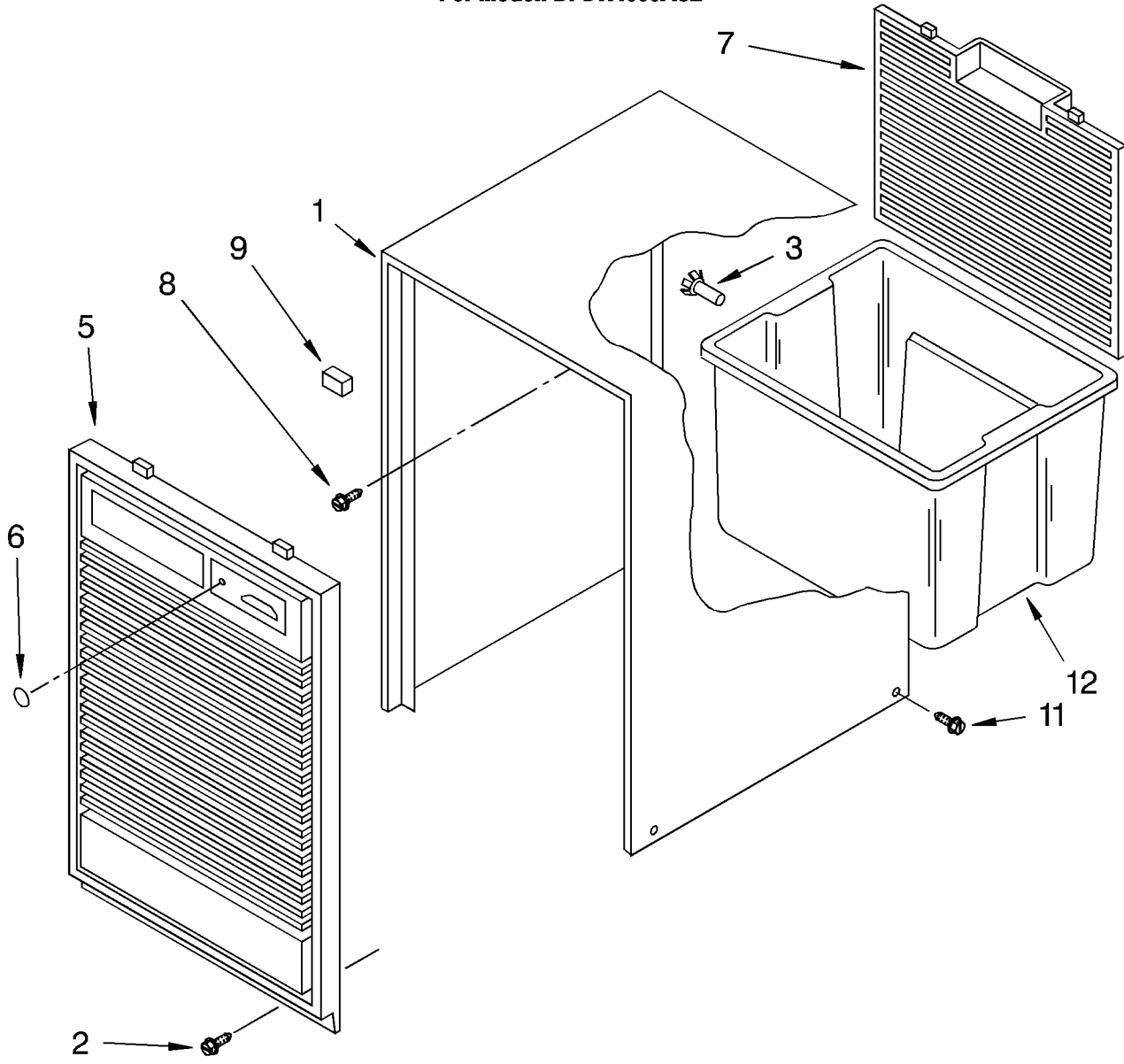
For Model: BPDH4000AS2



1	1164804	Light, Indicator
2	1162578	Humidistat, Control
3	951284	Bracket, Control
4	1162670	Knob, Control (1)
5	488480	Screw, S.M. #8 x 1/2
7	1164779	Control, Deicer
8	488234	Screw, 8-32 x 1/4 (2)
10	949645	Blade, Fan
11	1164813	Motor, Fan
13	999747	Switch, Water Level Control
14	1164784	Cord, Appliance
15	487871	Screw, 8-32 x 3/8
16	998779	Plate, Orifice
17	1162704	Seal
18	489001	Palnut, 3/8-32
19	1161718	Spring, Water Level
20	1166054	Screw 8-18 x 5/8
21		Washer, Repair
	489083	.030 Thickness
	489091	.045 Thickness
	489029	.060 Thickness
23	1163800	Support
24	1162513	Screw, S.M.#8 x 1/4
25	602851	Tie, Cable (3)
33	471363	Clamp, Tube To Evaporator Mtg (2)

# CABINET PARTS

For Model: BPDH4000AS2



1	998821	Cabinet
2	1164763	Screw, 8-32 x 1/2 (2)
3	998813	Retainer, Pin (2) (Rear Grille)
5	1162669	Grille, Front
6	998846	Lens, Light
7	998832	Grille, Rear
8	489073	Screw, 8 x 3/8
9	948584	Spacer, Grille
11	1158781	Screw
12	951901	Pan, Condensate

Following Parts Not Illustrated and Optional Parts Not Included

485426	Lacquer, Starlight Gray (1/2 Pt. Uncut)
646753	Cap, Condensate Pan
647338	Washer, Cap (Condensate Pan)
799833	Epoxy, Tube (Aluminum Repair)
505168	Tape, No Drip (30') Valve, Access
978025	1/4" Tube O.D.
978026	5/16" Tube O.D.
978027	3/8" Tube O.D.
978028	1/2" Tube O.D.
978029	5/8" Tube O.D.
978030	3/4" Tube O.D.
978865	Seal, Ring Access Valve (20 Pack)
212643	Permagum (4 - 12" Strips)