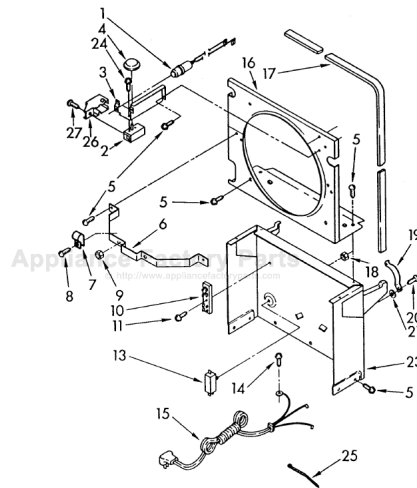


This Owner's Manual is provided and hosted by [Appliance Factory Parts](#).



# WHIRLPOOL AD0202XM0 Owner's Manual

[Shop genuine replacement parts for WHIRLPOOL  
AD0202XM0](#)



[Find Your WHIRLPOOL Dehumidifier Parts - Select From 309 Models](#)

----- Manual continues below -----

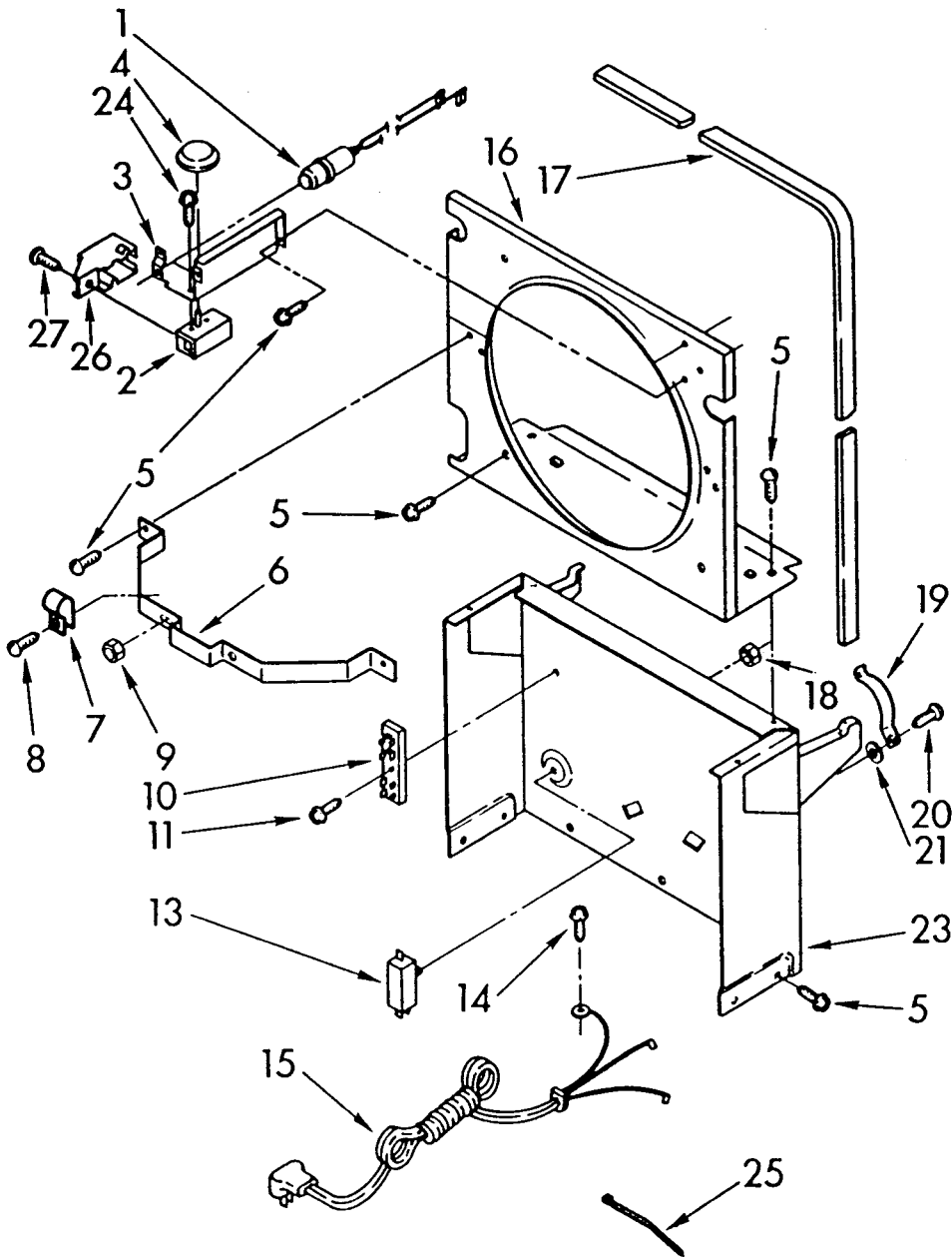
**PARTS  
LIST  
FOR**



**DEHUMIDIFIER**

**MODEL  
AD-O202-XM0**

**FRAME AND CONTROL PARTS**



1-84 Litho in U.S.A.

**Whirlpool CORPORATION**  
Benton Harbor, Michigan.



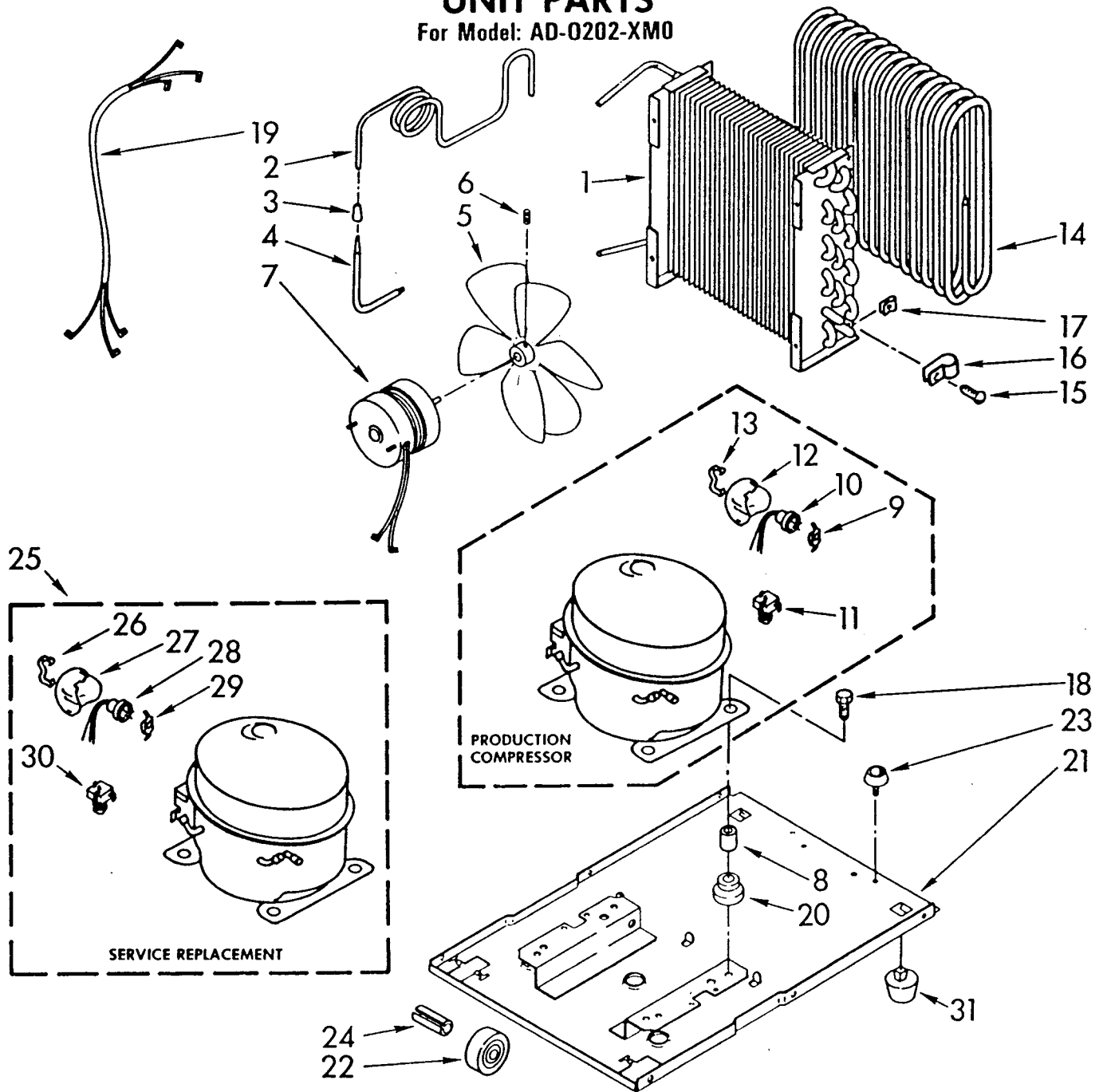
Part No. 877497

159-F-1

1	950747	Light Assembly
2	951280	Humidistat Assembly
3	951285	Bracket, Humidistat & Light Assembly
4	998859	Knob, Humidistat Control
5	488624	Screw, Sm #8 x 3/8A
6	998777	Bracket, Fan Motor Mounting
7	488946	Clamp, Tube
8	487910	Screw, 8 x 1/2A
9	488130	Nut, Fan Motor 8-32 (2)
10	950431	Board, Terminal
11	488966	Screw, 6 x 3/8
13	998783	Switch, Water Level Control
14	487871	Screw, 8-32 x 3/8
15	950743	Cord, Appliance
16	998779	Plate, Orifice
17	998802	Seal
18	489001	Palnut, 3/8-32
19	998730	Spring, Water Level
20	488480	Screw, SM8 x 1/2A
21		Washer (Repair)
	489083	.030 Thickness
	489091	.045 Thickness
	489029	.060 Thickness
23	998729	Support
24	489064	Screw, Mach 8-32 x 5/32 (2)
25	857547	Tie, Cable
26	951281	Cover, Terminal
27	488234	Screw, 8-32 x 1/4

# UNIT PARTS

For Model: AD-0202-XM0

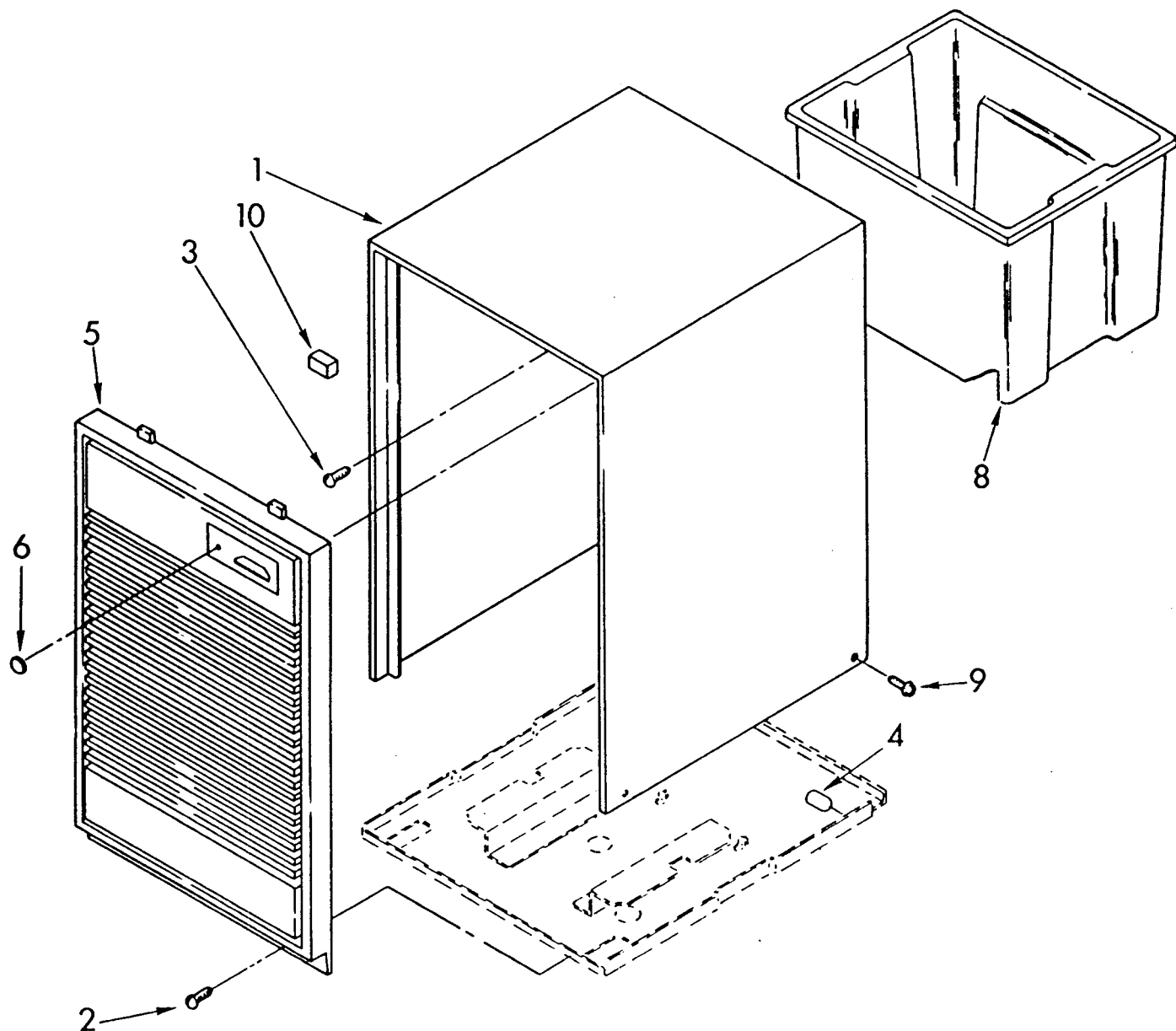


FOR ORDERING INFORMATION REFER TO PARTS PRICE LIST

1	949921	Condenser
2	998759	Tube, Restrictor (Length 35.0")
3	474013	Strainer, Outlet Tube
4	949896	Tube, Outlet (Includes Item 3)
5	948756	Blade, Fan (Includes Item 6)
6	488035	Setscrew, 1/4 x 5/16
7	949636	Motor, Fan
8	646498	Sleeve (4)
9	950061	Spring, Overload
10	950234	Overload, Protector
11	950235	Relay, Start
12	950055	Cover, Terminal
13	950056	Retainer, Cover
14	996604	Evaporator
15	487910	Screw, SM#8 x 1/2 (4)
16	488946	Clamp, Tube (4)
17	486197	Nut, Speed (4)
18	488400	Screw, 1/4-28 x 1" (4)
19	484136	Harness, Wire
20	646499	Grommet (4)
21	949976	Base
22	998726	Roller (2)
23	472577	Foot (2)
24	489015	Roll Pin (2)
25	485781	Compressor, Service (Complete Assembly)
26	831282	Retainer, Cover
27	865068	Cover, Terminal
28	876690	Overload, Protector
29	549086	Spring, Overload
30	876693	Relay
31	998725	Glide (2)

# CABINET PARTS

For Model: AD-0202-XM0



FOR ORDERING INFORMATION REFER TO PARTS PRICE LIST

1	998821	Cabinet
2	489104	Screw, 8-32 x 3/8 (2)
3	489073	Screw, SM #8 x 3/8 (2)
4	998869	Thread Cap
5	950269	Grille, Front
6	998846	Light Lens
8	998801	Pan, Condensate
9	489016	Screw, TC 8-32 x 3/8 (4)
10	948584	Spacer, Block

Parts Not Illustrated And Optional Parts (Not Included)

646753	Cup, Condensate Pan
647338	Washer, Condensate Pan
485426	Lacquer, Starlight Gray (1/2 Pt. Uncut)
799351	Thinner (1 Gal.)
484310	Kit, Evaporator Repair (Aluminum Epoxy)
505168	Tape, No Drip
978025	Valve, Access (1/4")
978026	Valve, Access (5/16")
978027	Valve, Access (3/8")
978028	Valve, Access (1/2")
978029	Valve, Access (5/8")
978030	Valve, Access (3/4")

LITERATURE PARTS

950270	Guide, Consumer Buy
951036	Sheet, Service Tech
998866	Guide, Use & Care
877497	List, Repair Parts